

# NERF BARS KIT

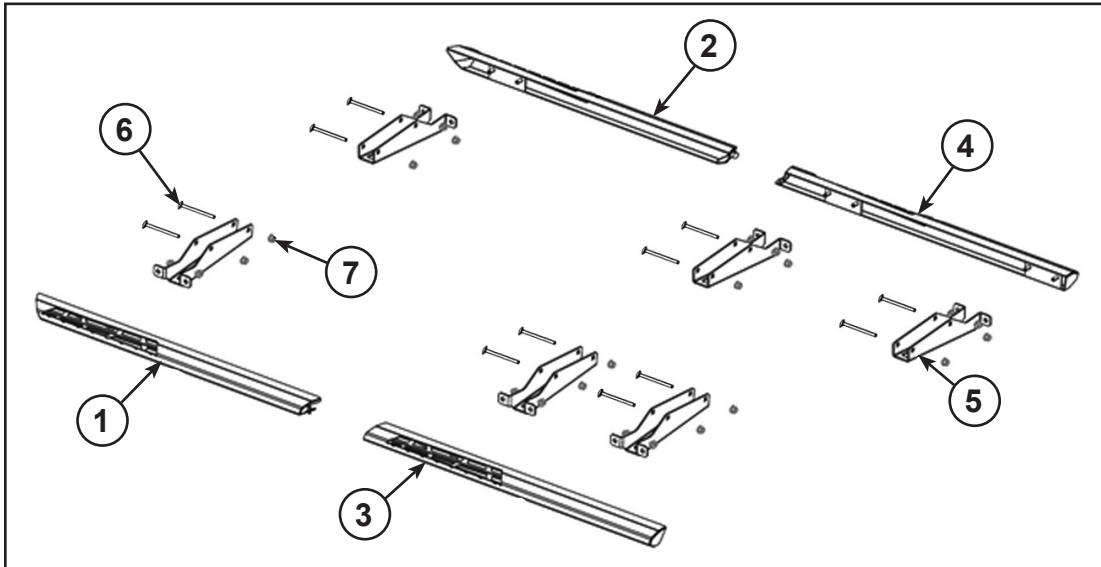
P/N 2880333

APPLICATION

RANGER 570



Before you begin, read these instructions twice and check to be sure all parts and tools are accounted for. Please retain these installation instructions for future reference and parts ordering information.



### Kit Contents:

<u>Ref</u>	<u>Qty</u>	<u>Part Description</u>	<u>Part Number</u>
1	1	Weld-NERF Bar, LH, Front	1020719
2	1	Weld-NERF Bar, RH, Front	1020720
3	1	Weld-NERF Bar, LH, Rear	1020721
4	1	Weld-NERF Bar, RH, Rear	1020722
5	6	Mount Bracket, NERF	5259513
6	12	Carriage Bolt, M8x1.25x60	7517518
7	24	Nut, M8x1.25, Flange, Nyloc	7547454
	1	Instructions	9925428

### Tools Required:

Metric Socket Set

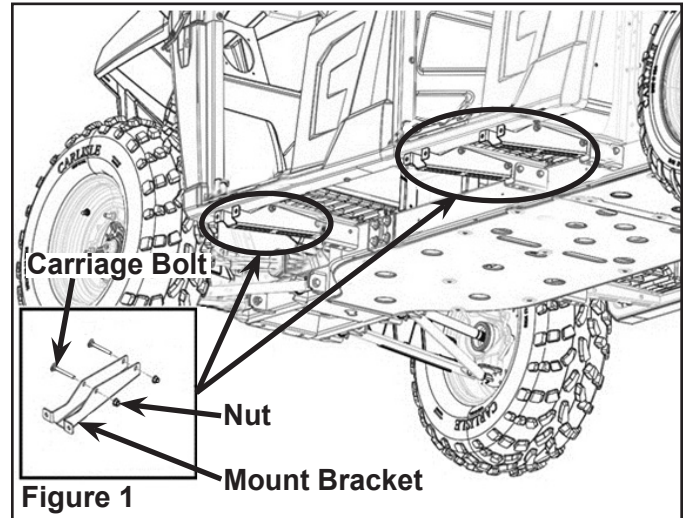
Torx Wrench Set

**APPROXIMATE ASSEMBLY TIME:** 25 minutes

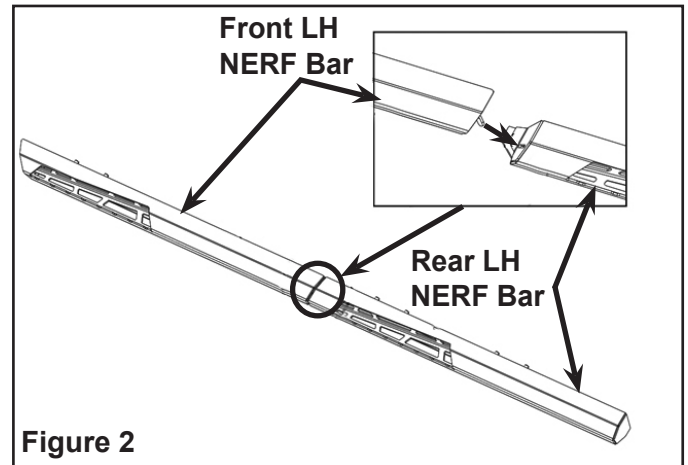
**IMPORTANT:** Your Polaris NERF BARS KIT is exclusively designed for your vehicle. Please read the installation instructions thoroughly before beginning. Installation is easier if the vehicle is clean and free of debris. For your safety, and to ensure a satisfactory installation, perform all installation steps correctly and in the sequence shown.

## INSTALLATION INSTRUCTIONS:

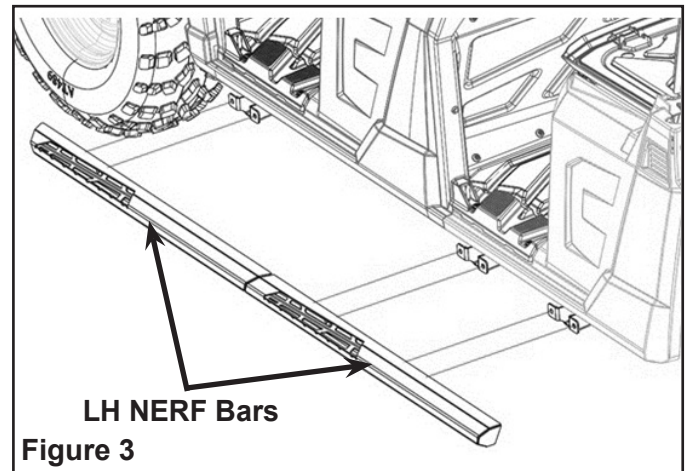
1. Park the vehicle. Turn key to "OFF" position and remove the key from vehicle.
2. Clamp the three mount brackets (PN 5259513), one at front and two at rear to chassis by assembling four carriage bolts (PN 7517518) and nuts (PN 7547454) as shown. Tighten carriage bolts to torque 16 ft. lbs. (21.7 Nm). Figure 1.



3. Align and lock the front LH NERF bar (PN 1020719) into rear LH NERF bar (PN 1020721) as shown. Figure 2.



4. Attach the both LH NERF bars (PN 1020719 and PN 1020721) on to the mount brackets. Figure 3.



5. Assemble the six nuts (PN 7547454). Tighten to torque 16 ft. lbs. (21.7 Nm). Figure 4.
6. To install RH NERF bars (PN 1020720 and PN 1020722), repeat the Steps 2-5 on the opposite side of the vehicle.

