

FRONT A-ARM GUARD KIT



P/N 2882784

APPLICATION

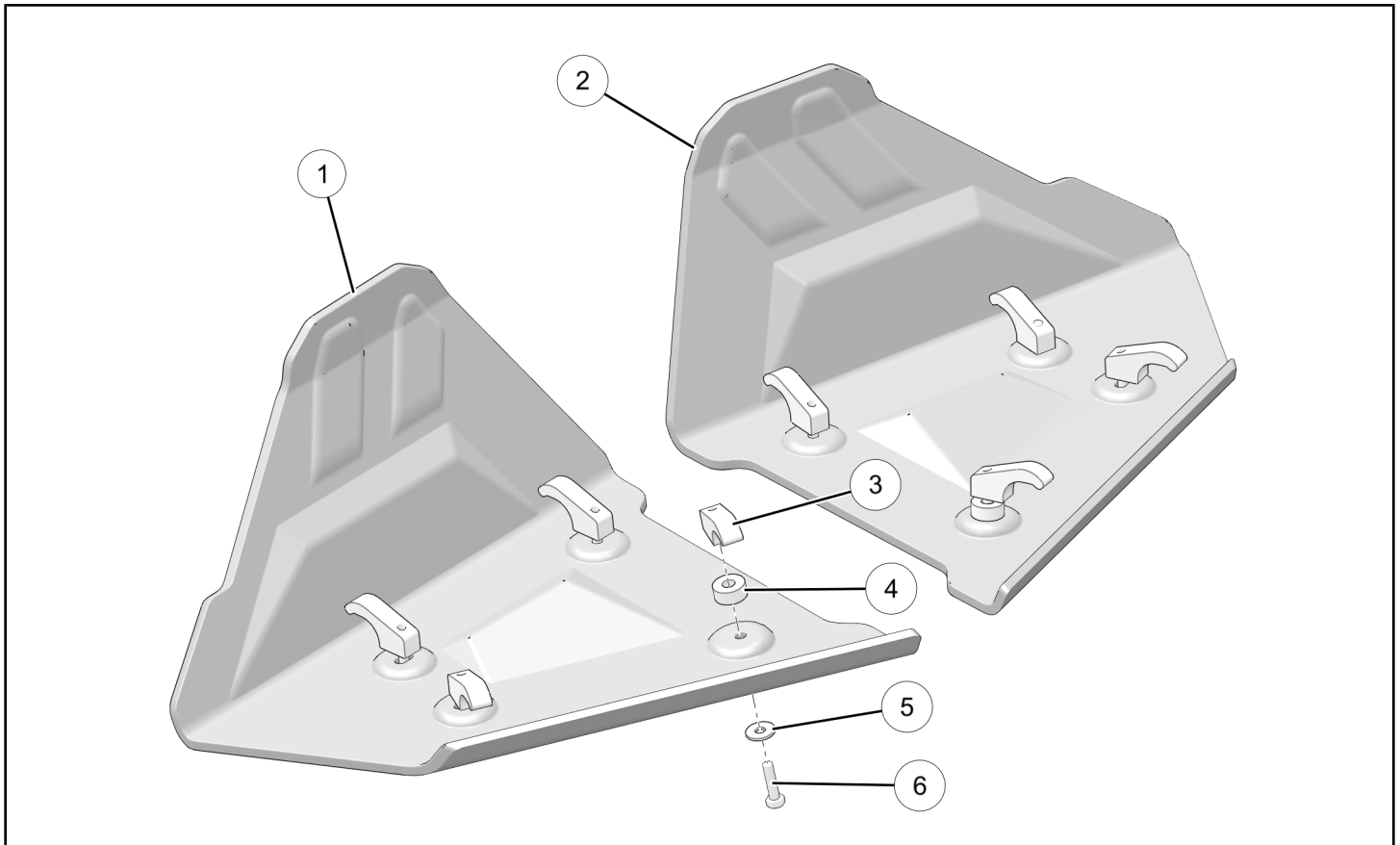
Verify accessory fitment at Polaris.com.

BEFORE YOU BEGIN

Read these instructions and check to be sure all parts and tools are accounted for. Please retain these installation instructions for future reference and parts ordering information.

KIT CONTENTS

This Kit includes:



REF	QTY	PART DESCRIPTION	PART NUMBER
1	1	Guard, A-Arm, LH	5454166
2	1	Guard, A-Arm, RH	5454167
3*	8	Clamp	5140242
4*	2	Spacer (rear inboard locations only)	-
5*	8	Washer - 8.4 X 30.0 X 2.0	-
6*	8	Screw, Hex Head - M6 X 1.0 X 25	-
	1	Instructions	9927938

Items marked (*) are included in Hardware Kit PN 2207087 (4 clamps, 1 spacer, 4 washers, 4 screws)

TOOLS REQUIRED

- Safety Glasses

- Socket Set, Metric

IMPORTANT

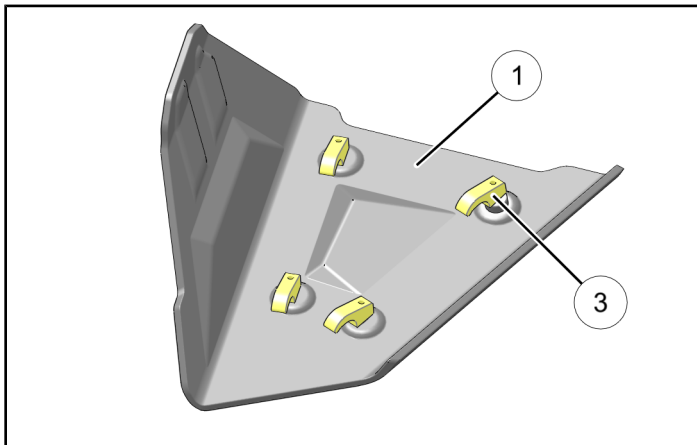
Your Front A-Arm Guard Kit is exclusively designed for your vehicle. Please read the installation instructions thoroughly before beginning. Installation is easier if the vehicle is clean and free of debris. For your safety, and to ensure a satisfactory installation, perform all installation steps correctly in the sequence shown.

ASSEMBLY TIME

Approximately 15 minutes

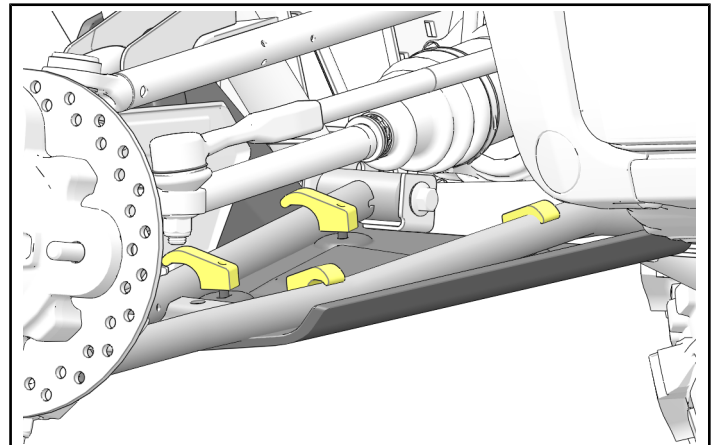
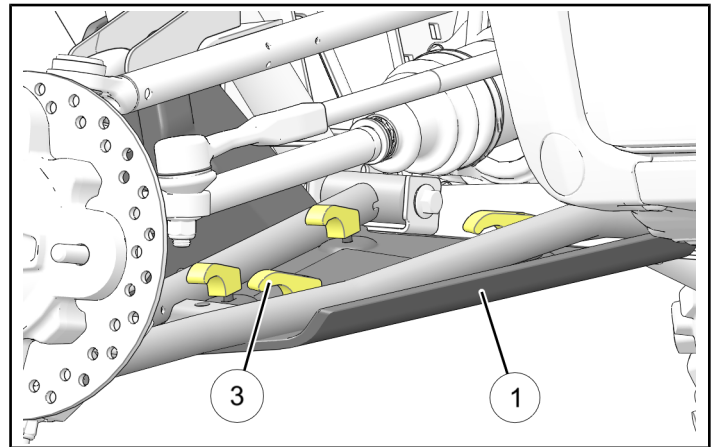
INSTALLATION INSTRUCTIONS

1. Shift vehicle transmission into "PARK". Turn key to "OFF" position and remove from vehicle.
2. Loosely assemble four clamps ③, one spacer ④ (rear inboard location only), four washers ⑤, and four screws ⑥ to LH A-arm guard ① as shown in Kit Contents. Screws should engage only a few threads of clamps.
3. Rotate all four clamps ③ so they extend towards outboard (pointed) end of A-arm guard ①.
4. Lift A-arm guard ① into vehicle A-arm structure, then rotate all four clamps ③ to capture tubing.

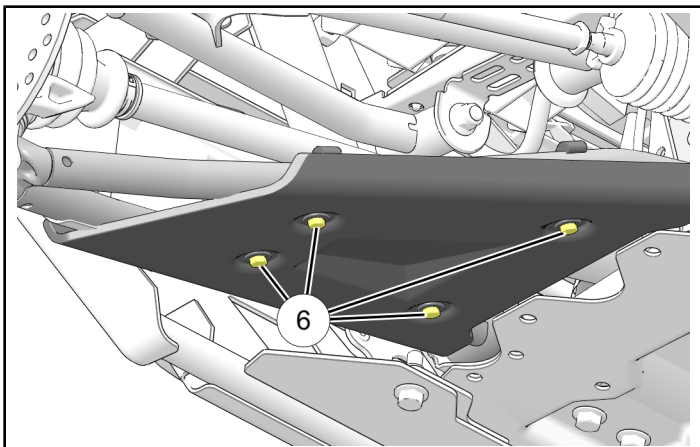


NOTE

Wheel hidden for clarity.



5. Tighten all four screws ⑥.



6. Repeat Steps 2–5 for RH A-arm guard ②.

FEEDBACK FORM

A feedback form has been created for the installer to provide any comments, questions or concerns about the installation instructions. The form is viewable on mobile devices by scanning the QR code or by clicking [HERE](#) if viewing on a PC.

