

# FRONT HD BUMPER KIT



P/N 2884123; 2889330

## BEFORE YOU BEGIN

Read these instructions and check to be sure all parts and tools are accounted for. Please retain these installation instructions for future reference and parts ordering information.

## APPLICATION

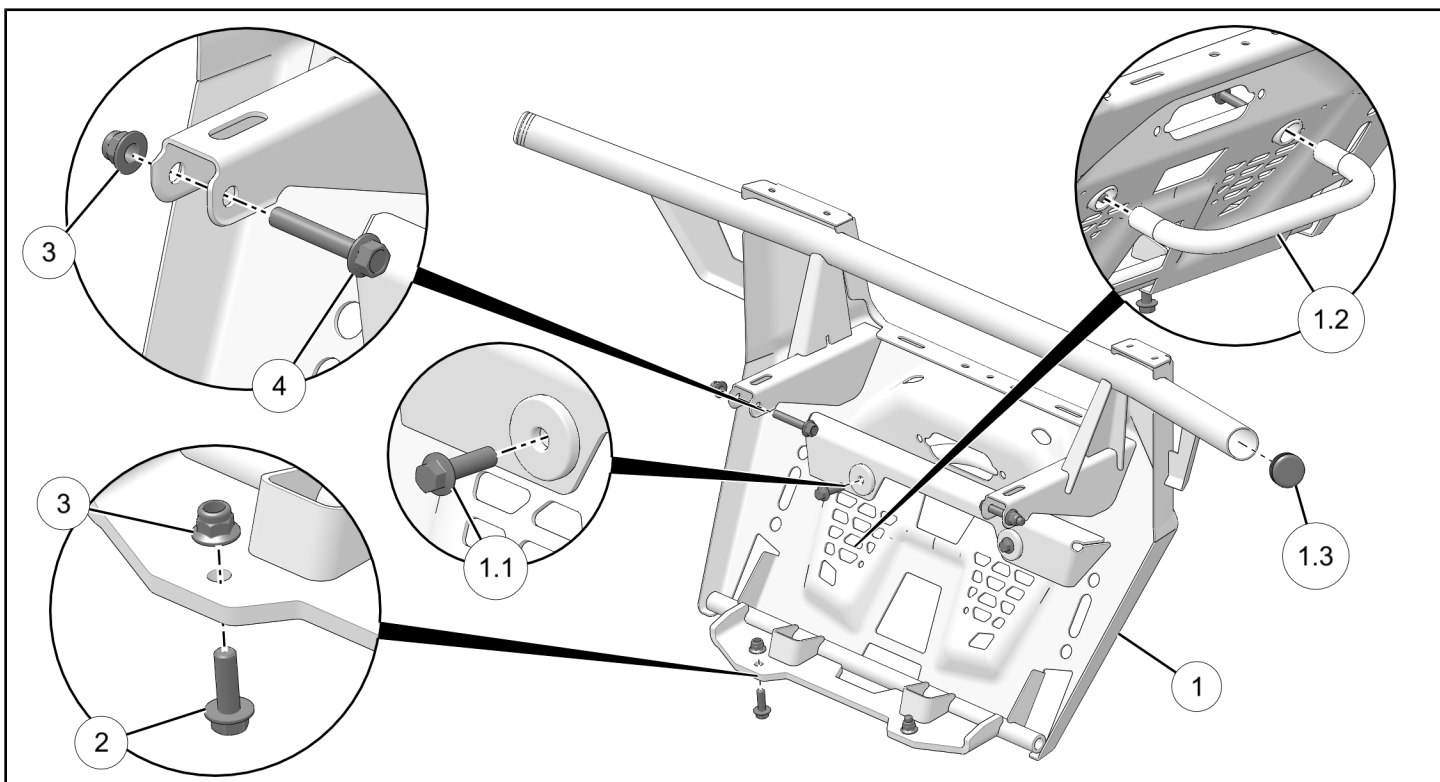
Verify accessory fitment at [www.polaris.com](http://www.polaris.com).

## KIT CONTENTS

### NOTICE

XXX = Ranger® color code (For example: 458= Black)

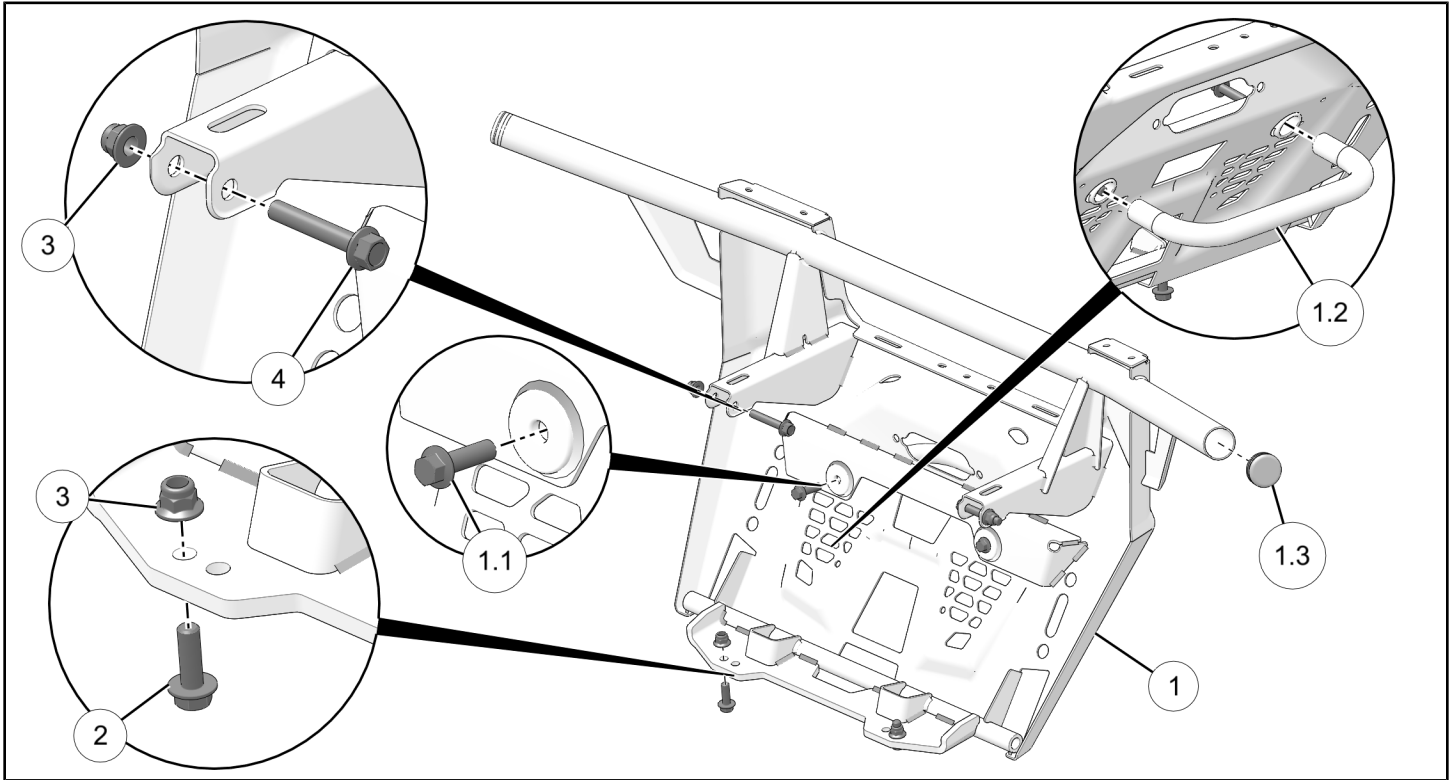
## FRONT HD BUMPER KIT (MY20 AND OLDER), P/N 2884123-XXX



REF	QTY	PART DESCRIPTION	P/N AVAILABLE SEPARATELY
1	1	Weld-Bumper, Front	1023025-458
1.1	2	- Screw, Hex Flange - M10 x 1.50 x 35	7518644
1.2	1	- Weld-Catch, Plow	1024680-458
1.3	2	- Cap-Bumper	5434191
2	2	Screw, Hex Flange - M10 x 1.25 x 30	7519059

REF	QTY	PART DESCRIPTION	P/N AVAILABLE SEPARATELY
3	4	Nut, Hex Flange, Nylon Locking - M10 x 1.25	7547333
4	2	Screw, Hex Flange - M10 x 1.25 x 60	7519210

**FRONT HD BUMPER KIT (MY21 AND NEWER), P/N 2889330-XXX**



REF	QTY	PART DESCRIPTION	P/N AVAILABLE SEPARATELY
1	1	Weld-Bumper, Front	1025786-458
1.1	2	- Screw, Hex Flange - M10 x 1.50 x 35	7518644
1.2	1	- Weld-Catch, Plow	1024680-458
1.3	2	- Cap-Bumper	5434191
2	2	Screw, Hex Flange - M10 x 1.25 x 30	7519059
3	2	Screw, Hex Flange - M10 x 1.25 x 60	7519210
4	4	Nut, Hex Flange, Nylon Locking - M10 x 1.25	7547333

## TOOLS REQUIRED

- Safety Glasses
- Screwdriver Set, Torx®
- Socket Set, Metric
- Torque Wrench
- Wrench Set, Metric

## IMPORTANT

Your Front HD Bumper Kit is exclusively designed for your vehicle. Please read the installation instructions thoroughly before beginning. Installation is easier if the vehicle is clean and free of debris. For your safety, and to ensure a satisfactory installation, perform all installation steps correctly in the sequence shown.

## INSTALLATION INSTRUCTIONS

Before installation of your new HD front bumper, the existing front fascia or non-HD front bumper must be removed.

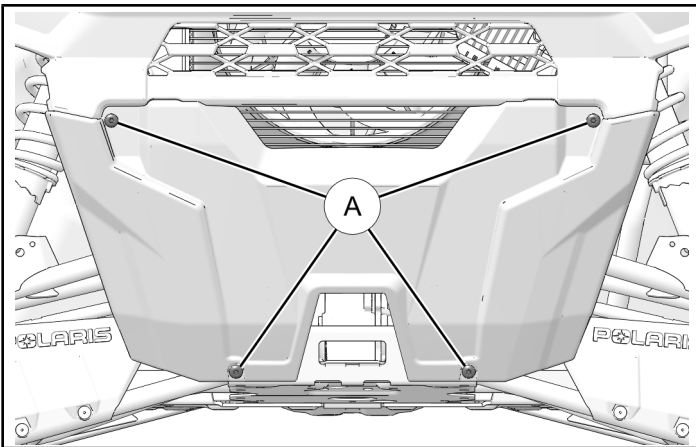
Select the appropriate procedure, then proceed to **INSTALL NEW HD FRONT BUMPER**.

### IMPORTANT

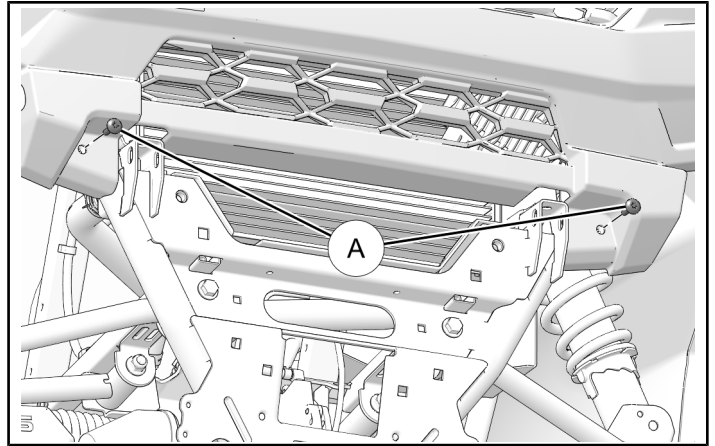
Polaris recommends two people install this kit.

### REMOVE EXISTING FRONT FASCIA

1. Shift vehicle transmission into PARK. Turn ignition switch to OFF position and remove key.
2. Remove four screws (A), then remove lower front fascia. Keep any two screws. Remaining two screws and fascia will not be reused.



3. Install upper two screws (A). Tighten until fully seated.



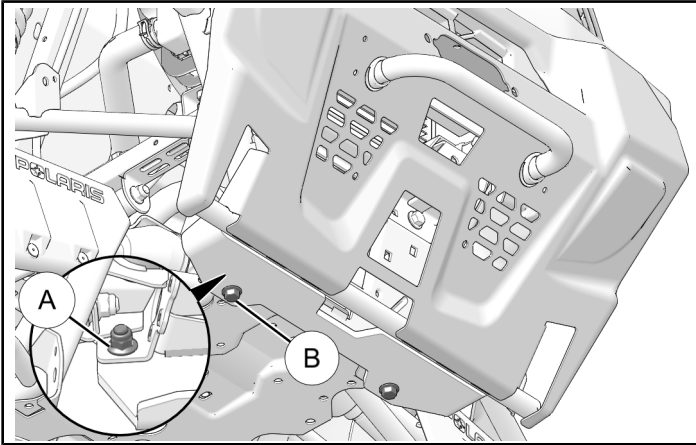
### REMOVE EXISTING NON-HD FRONT BUMPER

1. Shift vehicle transmission into PARK. Turn ignition switch to OFF position and remove key.

2. Remove and discard nut ① and bolt ②. Repeat for opposite side.

**NOTICE**

RH side detail shown; LH side similar.



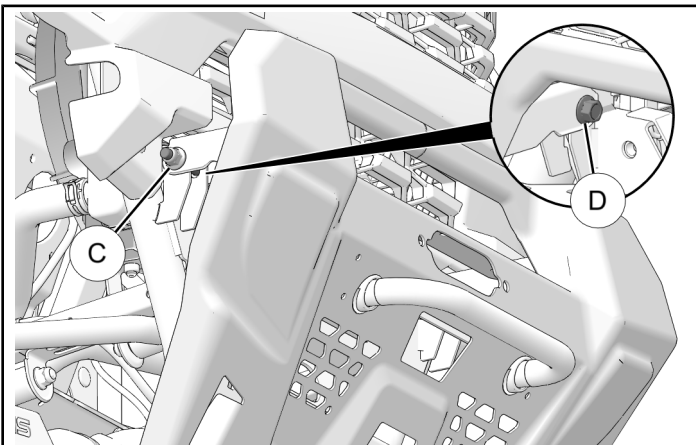
**CAUTION**

Bumper weighs approximately 31 lbs. (14 Kg). Failure to adequately support bumper during removal may result in personal injury or damage to equipment.

3. While adequately supporting bumper, remove and discard nut ③ and bolt ④. Repeat for opposite side.

**NOTICE**

RH side detail shown; LH side similar.



**INSTALL NEW HD FRONT BUMPER**

1. Lift HD bumper ① into position, loosely securing to chassis at upper mounting locations using two screws ④ and two nuts ③. Make sure bolt heads are on inboard side, nuts on outboard side.

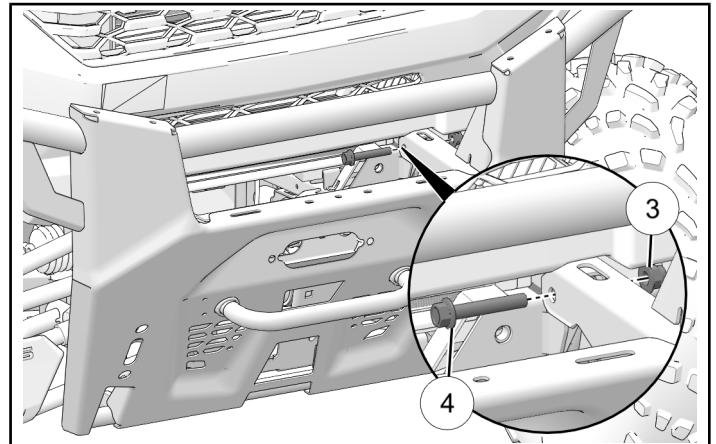
2. Torque screws to specification.

**TORQUE**

Upper Mounting Screws ④:  
**30 ft-lbs (41 N·m)**

**NOTICE**

RH side detail shown; LH side similar.

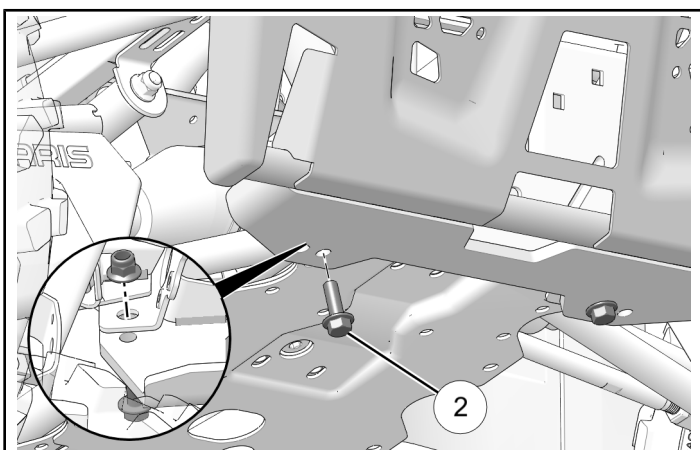
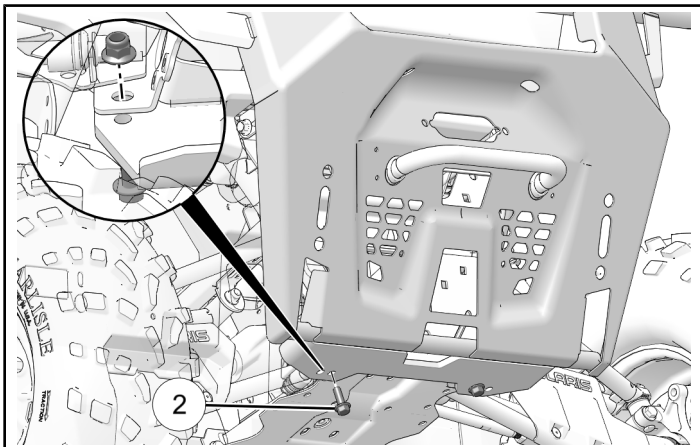


3. Install bumper to chassis at lower mounting locations using two screws ② and two nuts ③.

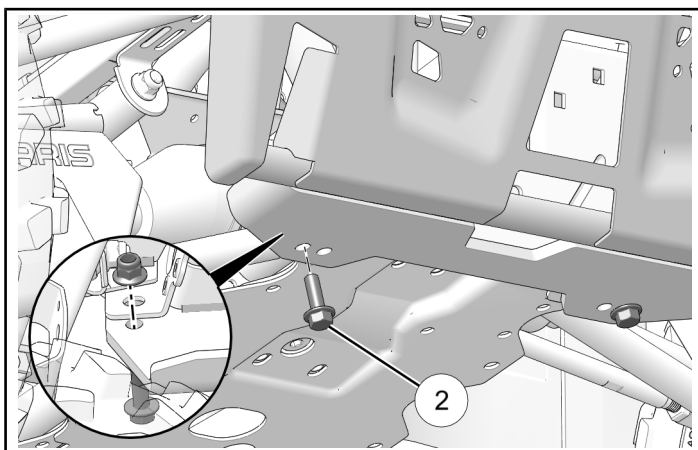
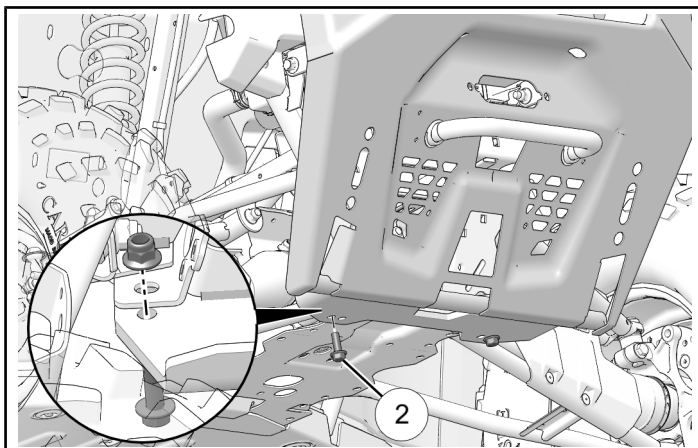
**NOTICE**

LH side detail shown; RH side similar.

- **MY20 and older:** Install lower mounting screws ② into inner holes on lower bumper.



- **MY21 and newer:** Install lower mounting screws ② into outer holes on lower bumper.



4. Torque screws ② to specification.

**TORQUE**

Bumper Mounting Screws ②:  
**30 ft-lbs (41 N·m)**

## FEEDBACK FORM

A feedback form has been created for the installer to provide any comments, questions or concerns about the installation instructions. The form is viewable on mobile devices by scanning the QR code or by clicking [HERE](#) if viewing on a PC.

