

REVERSE BEEPER KIT



P/N 2883246

APPLICATION

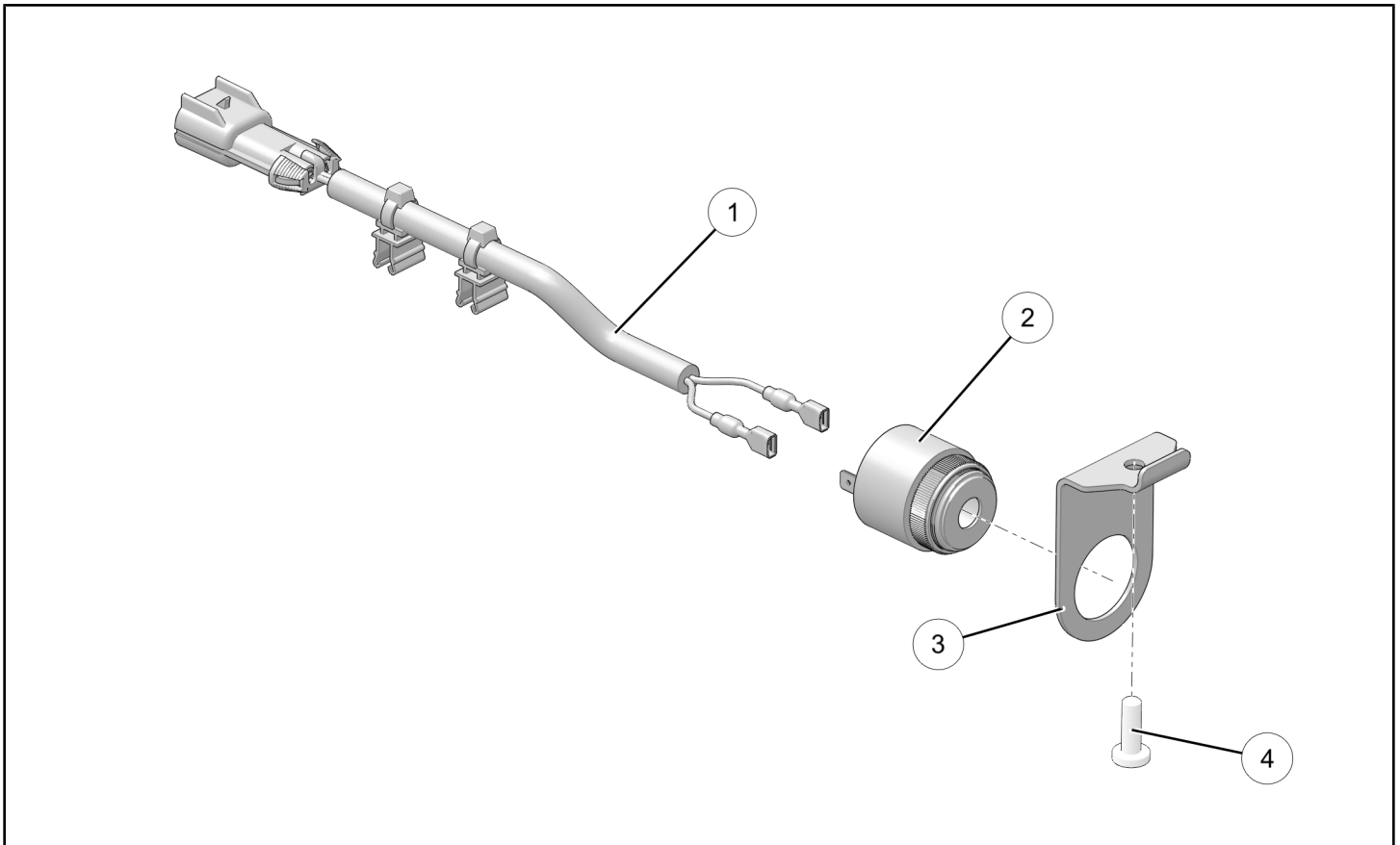
Verify accessory fitment at Polaris.com.

BEFORE YOU BEGIN

Read these instructions and check to be sure all parts and tools are accounted for. Please retain these installation instructions for future reference and parts ordering information.

KIT CONTENTS

This Kit includes:



REF	QTY	PART DESCRIPTION	PART NUMBER
1	1	Harness	2414105
2	1	Reverse beeper	4013256
3	1	Bracket	5265267
4	1	Screw, Torx® Pan Head, High/Low - #14 X 0.75	7519731
	1	Instructions	9928425

TOOLS REQUIRED

- Safety Glasses
- Screwdriver Set, Torx®

IMPORTANT

Your Reverse Beeper Kit is exclusively designed for your vehicle. Please read the installation instructions thoroughly before beginning. Installation is easier if the vehicle is clean and free of debris. For your safety, and to ensure a satisfactory installation, perform all installation steps correctly in the sequence shown.

ASSEMBLY TIME

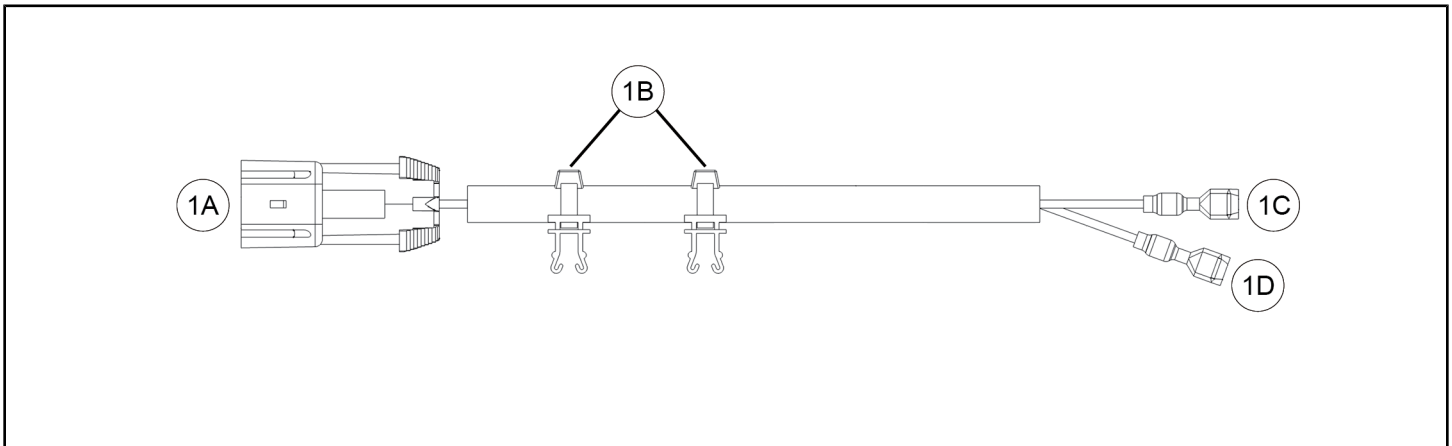
Approximately 5 minutes

NOTE

Additional time may be required to accommodate other accessories.

HARNESS DETAIL

HARNESS ①:



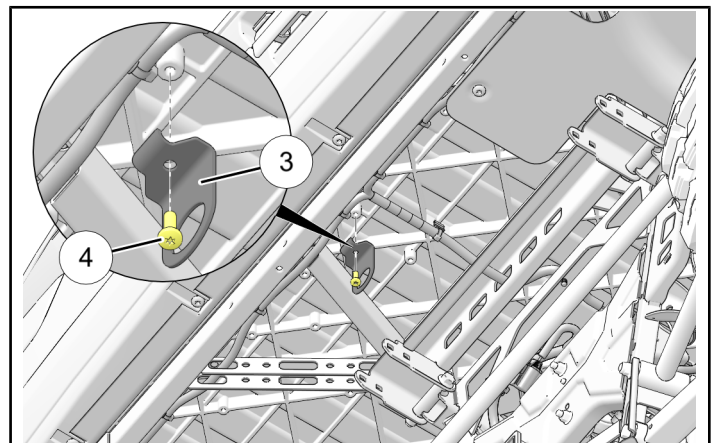
REF	PART DESCRIPTION	WIRE COLOR	PIN QTY/ GENDER	CONNECTS TO
1A	Connector, Reverse Beeper	-	2 male	Main vehicle harness breakout; see instructions for detail
1B	Clip, Edge (Routing)	-	-	Vehicle structure
1C	Terminal, Blade, Reverse Beeper B+	Red/ Blue	1 female	Reverse beeper ④, positive (+) terminal
1D	Terminal, Blade, Reverse Beeper Ground	White/ Black	1 female	Reverse beeper ④, negative (-) terminal

INSTALLATION INSTRUCTIONS

- Shift vehicle transmission into "PARK". Turn ignition switch to "OFF" position and remove key from switch.
- Install bracket ③ to lower bed surface using screw ④. Do not over-tighten screw.

NOTE

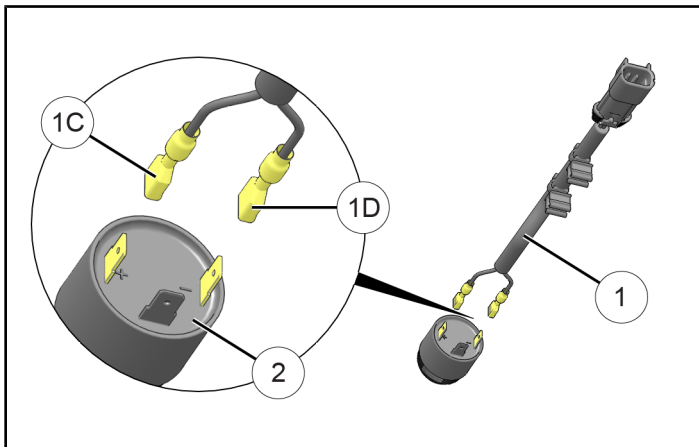
View looking up at rear of bed.



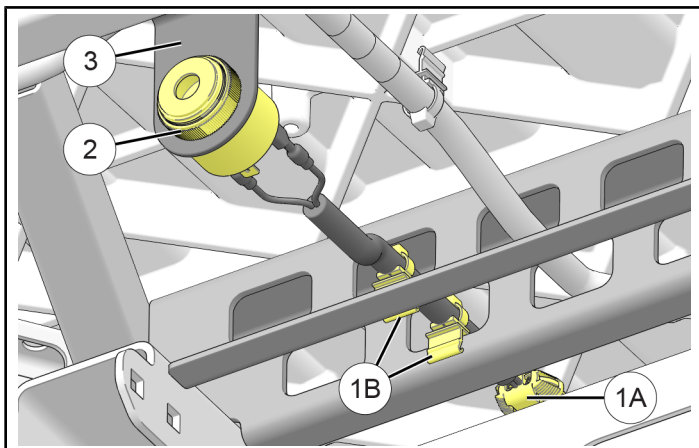
3. Join harness ① to reverse beeper ②:
 - a. Connector 1C (red/blue wires) to reverse beeper positive (+) terminal
 - b. Connector 1D (white/black wires) to reverse beeper negative (-) terminal

NOTE

See previous section, **HARNES DETAIL**, for connector identification.
 Unlabeled (middle) terminal on reverse beeper not used.



4. Remove knurled nut from reverse beeper ②, install beeper rearward through hole in bracket ③, then reinstall and tighten knurled nut.



FEEDBACK FORM

A feedback form has been created for the installer to provide any comments, questions or concerns about the installation instructions. The form is viewable on mobile devices by scanning the QR code or by clicking [HERE](#) if viewing on a PC.

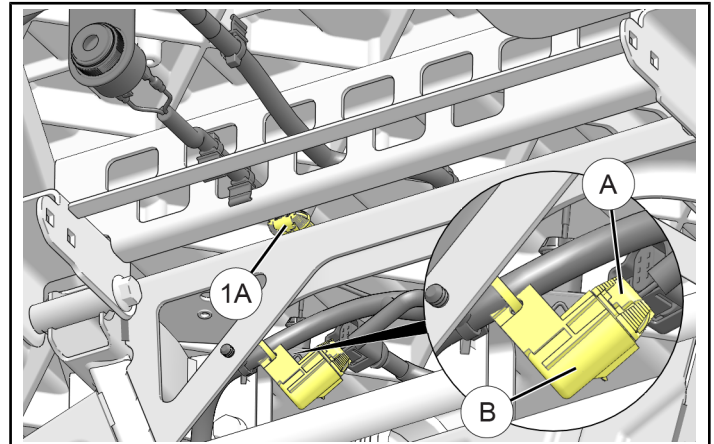
FEEDBACK FORM



5. Route connector 1A on harness ① rearward through lightening holes in bed cross-member, then secure harness to cross-member using two edge clips 1B.
6. Locate reverse beeper connector ④ on main harness breakout. Remove connector from cap ⑤, then join to connector 1A on harness ①. Ensure adequate slack exists to permit full bed opening without harness tension.

NOTE

Cap will not be used, but can remain secured to main vehicle harness with existing cable tie.



7. Slowly raise vehicle bed to ensure harness routing does not allow contact with hot components, sharp edges, or moving parts. If so, adjust routing and/or secure harnesses as required.