

CANVAS DOOR KIT



P/N 2882902, 2882903

APPLICATION

Verify accessory fitment at Polaris.com.

BEFORE YOU BEGIN

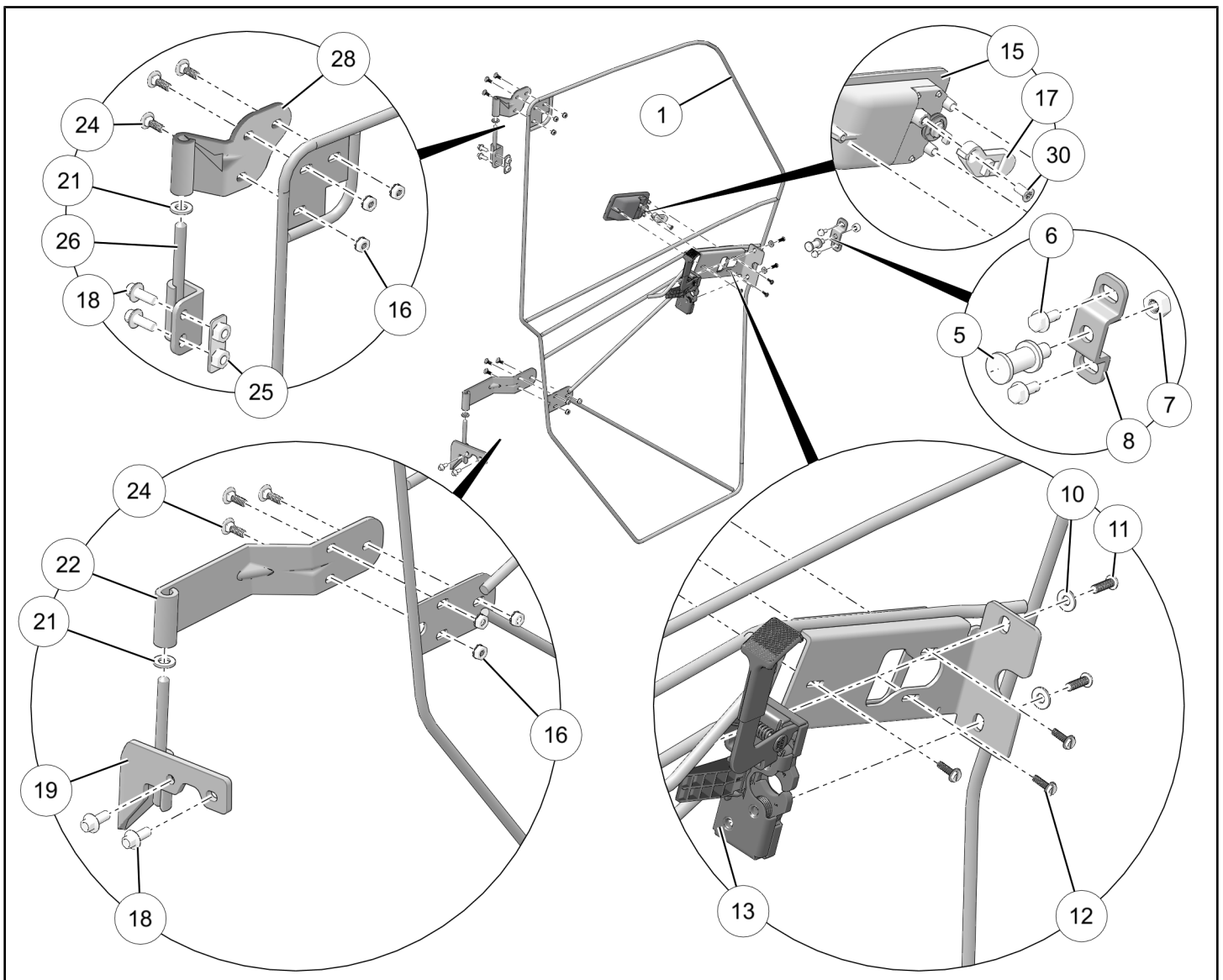
Read these instructions and check to be sure all parts and tools are accounted for. Please retain these installation instructions for future reference and parts ordering information.

KIT CONTENTS

This Kit includes:

NOTE

LH door shown; RH door opposite (not shown). See table for details.



REF	QTY	PART DESCRIPTION	PART NUMBER	INCLUDED IN SERVICE KIT *
1	1	Door Frame, LH	-	2207731
2	1	Door Frame, RH (not shown)	-	2207732
3	1 1	Door Skin, Black, LH (Kit 2882902) (not shown) Door Skin, Camo, LH (Kit 2882903) (not shown)	- -	2207729 2207737
4	1 1	Door Skin, Black, RH (Kit 2882902) (not shown) Door Skin, Camo, RH (Kit 2882903) (not shown)	- -	2207730 2207738
5	2	Pin, Striker	-	2207733, 2207734
6	4	Screw, Hex Flange - M8 X 1.25 X 20 (gold color)	-	2207733, 2207734
7	2	Nut, Hex - M12 X 1.75	-	2207733, 2207734
8	2	Bracket, Striker	-	2207733, 2207734
9	2	Shim, Striker Bracket (not shown)	-	2207733, 2207734
10	4	Washer, Flat - M6	-	2207733, 2207734
11	4	Screw, Socket Button Head - M6 X 20	-	2207733, 2207734
12	6	Screw, Hex, Serrated Flange - 10-32 X 5/8	-	2207733, 2207734
13	1	Latch, Interior, LH	-	2207733
14	1	Latch, Interior, RH (not shown)	-	2207734
15	2	Latch, Exterior (LH and RH)	-	2207733, 2207734
16	12	Nut, External Tooth Lock Washer - 1/4-20	-	2207736
17	2	Lever, Exterior Latch	-	2207733, 2207734
18	8	Screw, Hex Flange - M8 X 1.25 X 20 (black color)	7517838	2207735
19	1	Hinge, Chassis Side, Lower LH	-	2207735
20	1	Hinge, Chassis Side, Lower RH (not shown)	-	2207735
21	4	Washer, Nylon - 10.25 X 19.0 X 2.0	5439712	-
22	1	Hinge, Door Side, Lower LH	-	2207736
23	1	Hinge, Door Side, Lower RH (not shown)	-	2207736
24	12	Bolt, Carriage - 1/4-20 X 3/4	-	2207736
25	2	Nut Plate, Upper Chassis Side Hinge	5256140	2207735
26	1	Hinge, Chassis Side, Upper LH	-	2207735
27	1	Hinge, Chassis Side, Upper RH (not shown)	-	2207735
28	1	Hinge, Door Side, Upper LH	-	2207736
29	1	Hinge, Door Side, Upper RH (not shown)	-	2207736
30	2	Screw, Phillips Countersunk - 1/4-20 X 1/2	-	2207733, 2207734
	1	Instructions	9928155	-

* Service kits contain parts and hardware required for ONE side of vehicle.

TOOLS REQUIRED

- Safety Glasses
- Screwdriver Set, Torx®
- Socket Set, Metric

- Torque Wrench
- Wrench Set, Metric

CONSUMABLES REQUIRED

- Gloves, Chemical Resistant

- Grease, Polaris All Season (or equivalent)

IMPORTANT

Your Canvas Door Kit is exclusively designed for your vehicle. Please read the installation instructions thoroughly before beginning. Installation is easier if the vehicle is clean and free of debris. For your safety, and to ensure a satisfactory installation, perform all installation steps correctly in the sequence shown.

ASSEMBLY TIME

Approximately 45 minutes

INSTALLATION INSTRUCTIONS

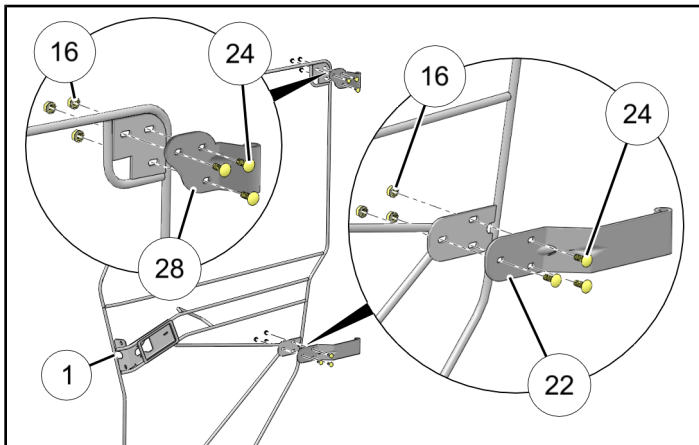
NOTE

Polaris recommends two people assemble and install this kit.

1. Shift vehicle transmission into "PARK". Turn ignition switch to "OFF" position and remove key from switch.
2. Open vehicle bed.
3. Loosely install upper LH door side hinge ⑳ to LH door frame ① using three each carriage bolts ㉔ and nuts ⑯.

NOTE

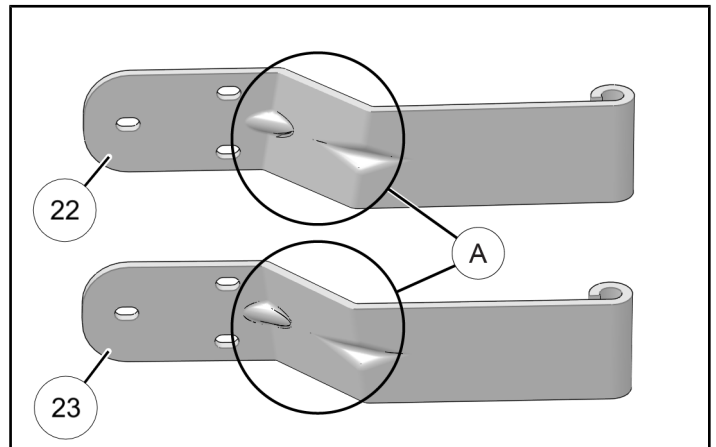
Skin not shown for clarity.



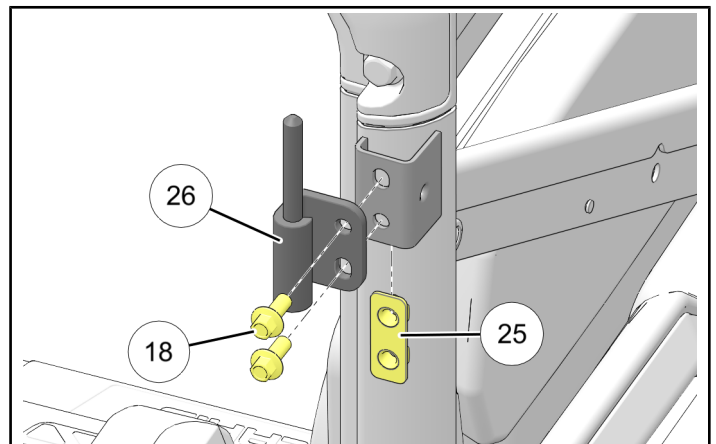
4. Loosely install lower LH door side hinge ㉒ to LH door frame ① using three each carriage bolts ㉔ and nuts ⑯.

NOTE

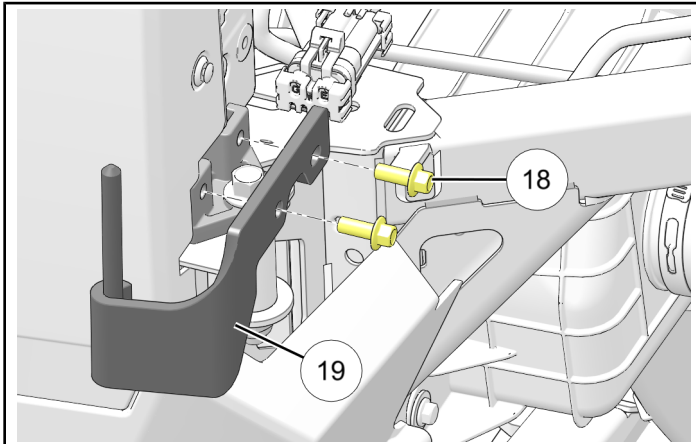
LH hinge ㉒ is very similar to RH hinge ㉓; angle of joggle ㉑ can be used to differentiate hinges.



5. Install upper LH hinge ㉖ to ROPS bracket using two screws ⑱ and nut plate ㉕. Center hinge over screw holes in vehicle, then partially tighten screws. Do not fully tighten screws at this time.



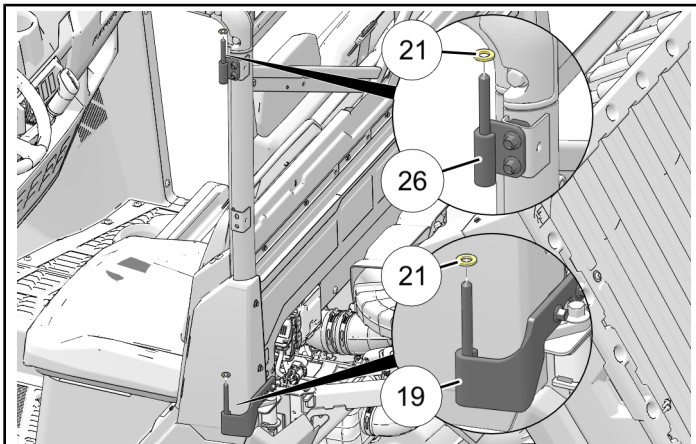
6. Install lower LH hinge ⑱ to chassis using two each screws ⑱. Center hinge over screw holes in vehicle, then partially tighten screws. Do not fully tighten screws at this time.



7. Install nylon washer ⑳ to pins on upper and lower hinges ㉔ and ⑱.

NOTE

Washer acts as bearing surface to assist in smooth door operation.



⚠ WARNING

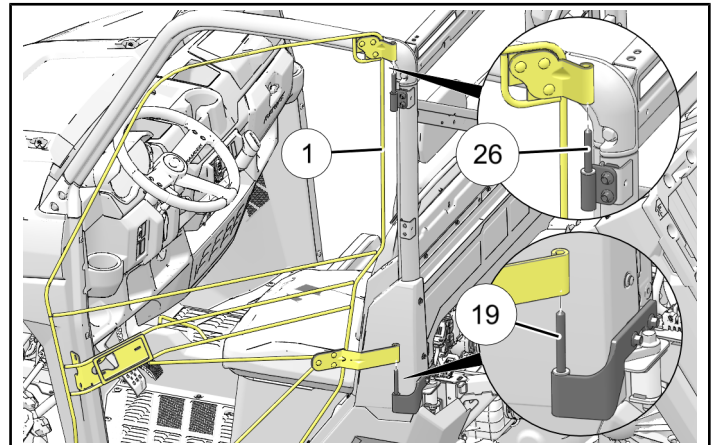
Follow all chemical manufacturer instructions and safety precautions. Failure to follow all manufacturer instructions and precautions may result in severe injury or death.

8. Grease pins on upper and lower hinges ㉔ and ⑱ using Polaris All Season Grease (or equivalent).

9. Install door assembly ① on lower hinge ⑱ first, then upper hinge ㉔.

NOTE

Lower hinge pin is longer than upper hinge pin to assist in door installation.



10. Close door, pushing into ROPS, and observe gap between door frame ① and ROPS/chassis structure (around entire perimeter of door):
- **IF PERIMETER GAP IS EVEN:** Ensure no hinge gap **A** exists between bottom of DOOR side hinges ㉔ and ㉔, and nylon washers ㉔ on corresponding CHASSIS side hinges ㉔ and ⑱ (to equalize door loading on hinges). If necessary, adjust height of upper chassis side hinge ㉔ to eliminate hinge gap.
- When complete, tighten all six door side hinge nuts ⑱.

TIP

Have one person hold and center the door, and a second person tighten the fasteners.

- **IF PERIMETER GAP IS UNEVEN:** Loosen all four CHASSIS side hinge screws ⑱, center door in ROPS, then re-tighten chassis side hinge screws. When complete, go to previous section, **IF PERIMETER GAP IS EVEN.**

NOTE

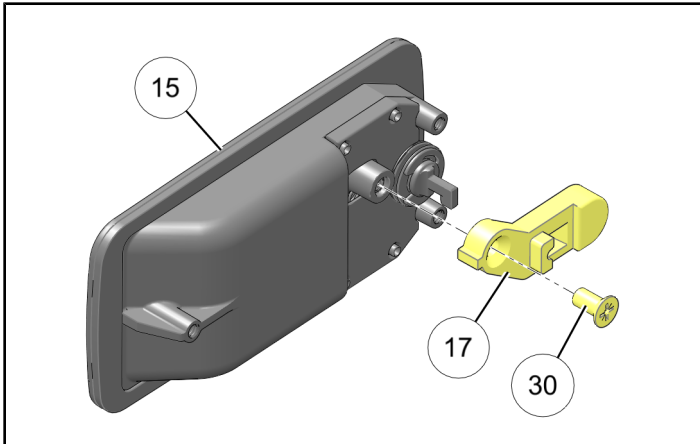
If necessary for height adjustment, remove one or both nylon washers ㉔.

11. Torque all hinge fasteners to specification.

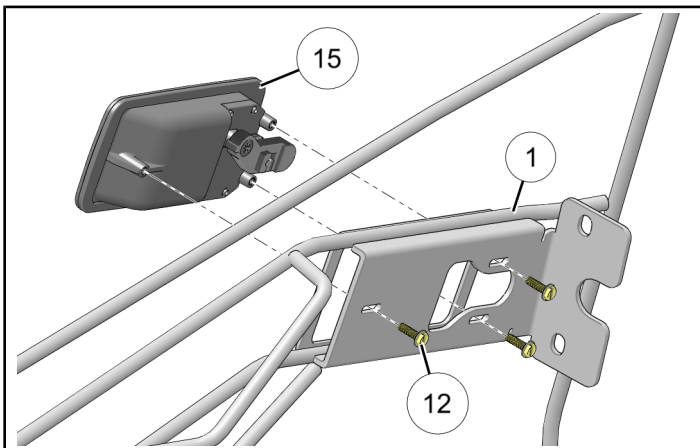
TORQUE

M8 screws ⑱: 17 ft. lbs. (23 Nm) ± 10%
1/4–20 nuts ⑲: 5 ft. lbs. (7 Nm) ± 10%

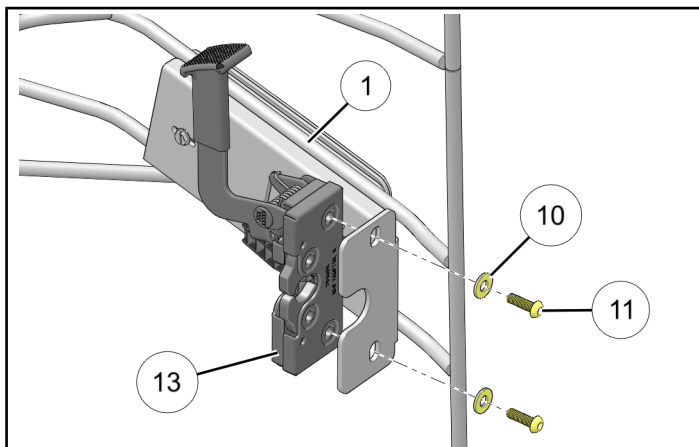
12. Assemble lever ⑰ to exterior latch ⑮ using screw ⑳.



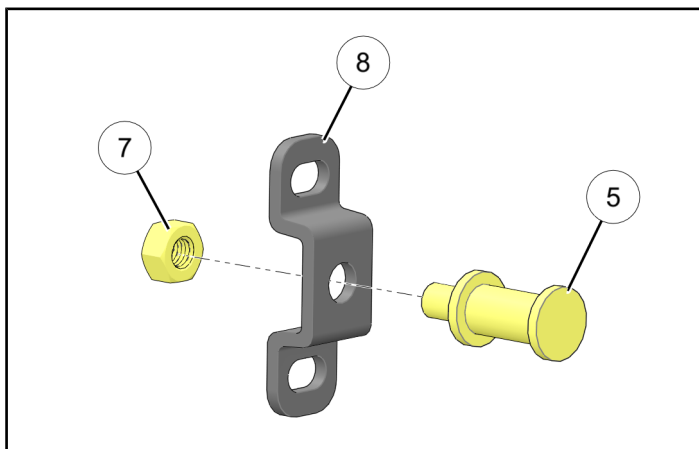
13. Install exterior latch ⑮ to LH door frame ① using three screws ⑫. Center latch in slotted holes, then partially tighten screws. Do not fully tighten screws at this time.



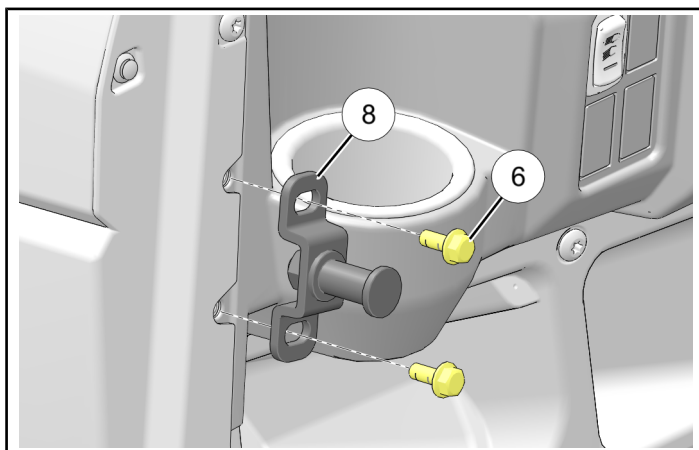
14. Install LH interior latch ⑬ to LH door frame ① using two each screws ⑪ and washers ⑩. Center latch in slotted holes, then partially tighten screws. Do not fully tighten screws at this time.



15. Assemble striker pin ⑤ to striker bracket ⑧ using nut ⑦. Tighten nut.



16. Install striker bracket ⑧ to chassis structure using two screws ⑧. Center striker over screw holes in chassis, then partially tighten screws. Do not fully tighten screws at this time.



17. Open interior door latch ⑬ (to ensure proper position of pawl), then slowly close door and observe engagement of striker pin ⑤ into door latch.

Adjust location of striker pin bracket to achieve the following:

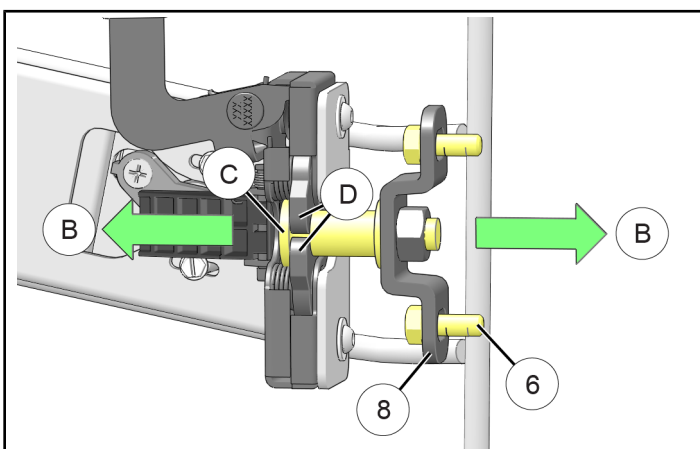
NOTE

Striker shown detached from chassis structure for clarity.

a. **EXTENSION** ⑮: Head of pin ⑮ should fully clear latch pawls ⑰ as shown. To extend pin rearward, remove two screws ⑱ and striker bracket ⑲, place shim ⑳ between bracket and chassis structure, then reinstall bracket and screws.

NOTE

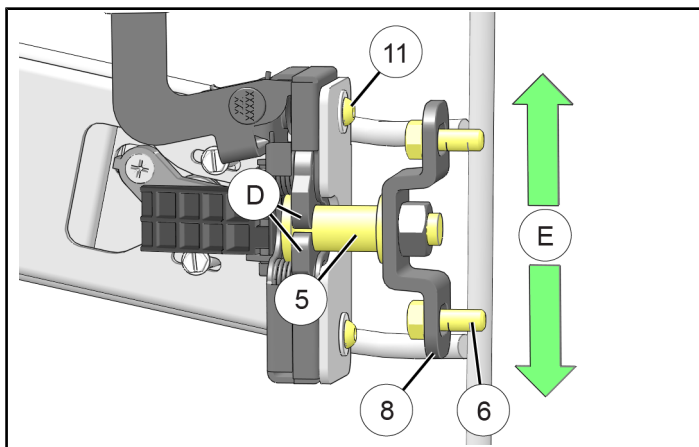
If head of pin extends **too far rearward**, even without shim, then entire door must be moved rearward by adjusting door side hinges. See Steps 3–4.



b. **HEIGHT** ⑯: Pin ⑮ should be centered vertically in opening of latch pawls ⑰. To adjust, loosen two screws ⑱, slide striker bracket ⑲ up or down as required, then retighten screws.

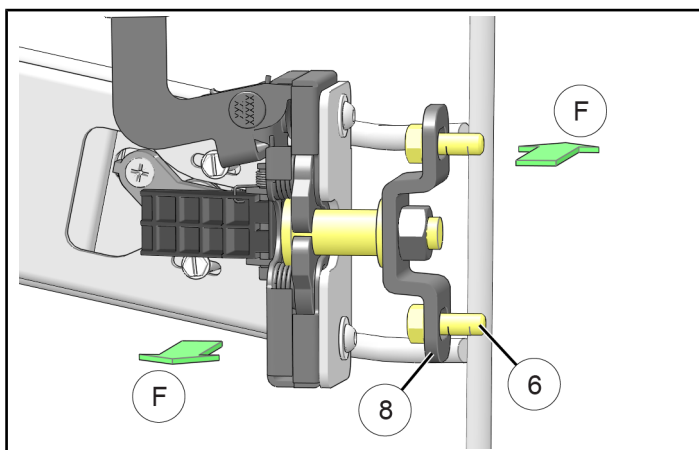
NOTE

If further adjustment range is needed, loosen two screws ⑲, slide interior door latch ⑬ up or down as required, then retighten screws.



c. **DEPTH** ⑯: As required to achieve desired fairing between door frame ① and ROPS/ chassis door structure. To adjust, loosen two screws ⑱, slide striker bracket ⑲ inboard or outboard as required, then retighten screws.

Ensure depth adjustment is made with latch pawls ⑰ at **FULL** closure as shown below (second “click”), not at partial closure (first “click”).



18. Ensure proper operation of interior latch ⑬ and exterior latch ⑮. Adjust as required, then tighten all latch screws. See Steps 13–14.

19. Torque striker screws ⑱ to specification.

TORQUE

17 ft. lbs. (23 Nm) ± 10%

20. Repeat Steps 3–19 for RH door frame ② using RH hinges ⑳⑲⑳㉑, and RH interior door latch ⑭.

21. Lower vehicle bed.

FEEDBACK FORM

A feedback form has been created for the installer to provide any comments, questions or concerns about the installation instructions. The form is viewable on mobile devices by scanning the QR code or by clicking [HERE](#) if viewing on a PC.

