

CREW CANVAS DOOR KIT



P/N 2883634

APPLICATION

Verify accessory fitment at Polaris.com.

BEFORE YOU BEGIN

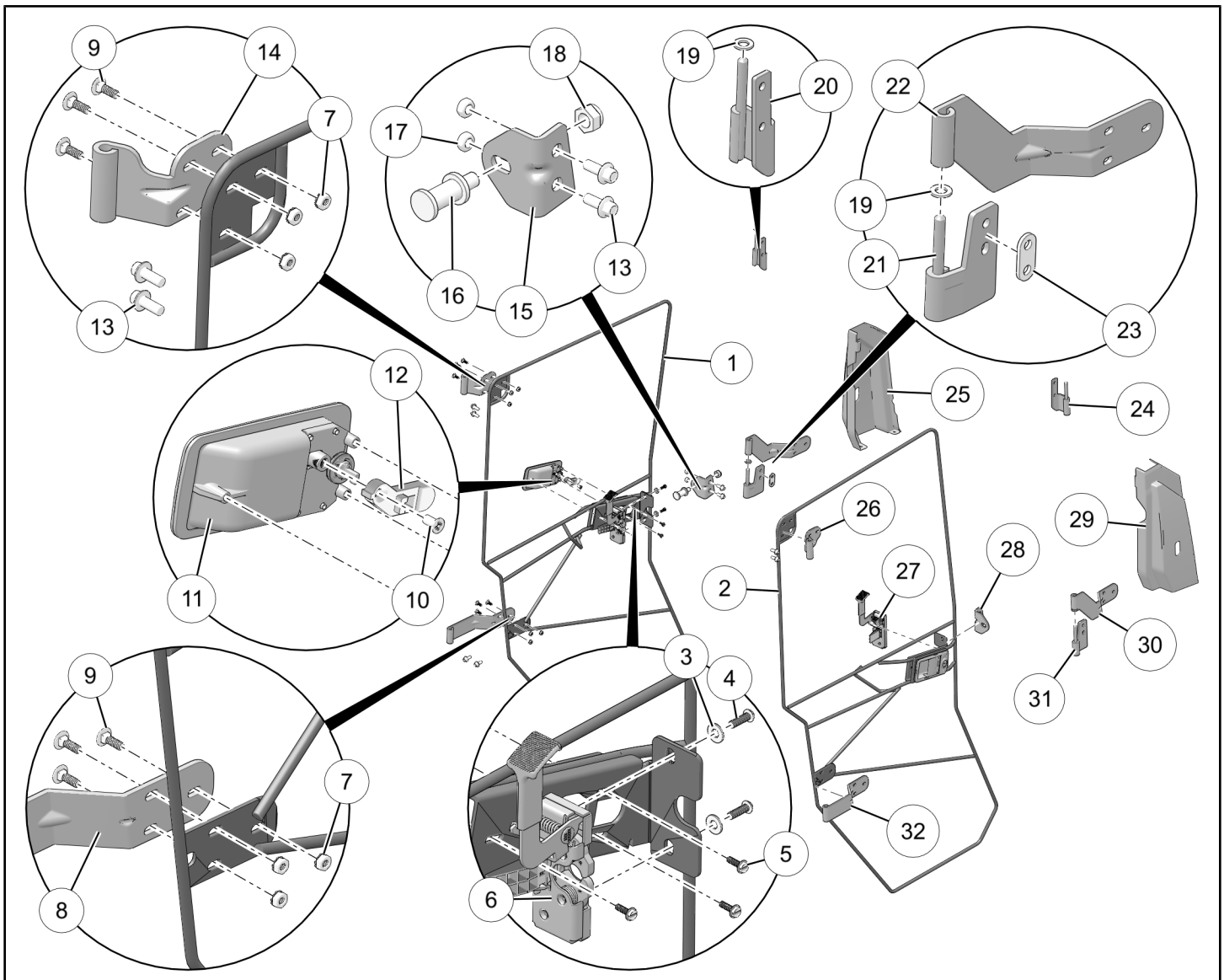
Read these instructions and check to be sure all parts and tools are accounted for. Please retain these installation instructions for future reference and parts ordering information.

KIT CONTENTS

This Kit includes:

NOTE

The CHASSIS-SIDE hinges required to install these rear doors are not included in this kit. They are included in Front Canvas Door Kit 2882902 and in service kit 2207735. See section **INSTALLATION INSTRUCTIONS**, Steps 3–4, for detail.



| REF | QTY | PART DESCRIPTION | PART NUMBER | INCLUDED IN SERVICE KIT |
|-----|-----|--|-------------|-------------------------|
| 1 | 1 | Door Frame, LH (includes item 1.1) | 2637395 | - |
| 1.1 | 1 | - Door Skin, Black, LH (not shown) | - | 2207863 |
| 2 | 1 | Door Frame, RH (includes item 2.1) | 2637396 | - |
| 2.1 | 1 | - Door Skin, Black, RH (not shown) | - | 2207864 |
| 3 | 4 | Washer, Flat - M6 | - | 2207867, 2207868 |
| 4 | 4 | Screw, Socket Button Head - M6 X 20 | - | 2207867, 2207868 |
| 5 | 6 | Screw, Hex, Serrated Flange - 10-32 X 5/8 | - | 2207867, 2207868 |
| 6 | 1 | Latch, Interior, LH | - | 2207867 |
| 7 | 12 | Nut, External Tooth Lock Washer - 1/4-20 | - | 2207870* |
| 8 | 1 | Hinge, Door Side, Lower LH | - | 2207870* |
| 9 | 12 | Bolt, Carriage - 1/4-20 X 3/4 | - | 2207870* |
| 10 | 2 | Screw, Phillips Countersunk - 1/4-20 X 1/2 | - | 2207867, 2207868 |
| 11 | 2 | Latch, Exterior (LH and RH) | - | 2207867, 2207868 |
| 12 | 2 | Lever, Exterior Latch | - | 2207867, 2207868 |
| 13 | 12 | Screw, Hex Flange - M8 X 1.25 X 20 | 7517838 | 2207869* |
| 14 | 1 | Hinge, Door Side, Upper LH | - | 2207870* |
| 15 | 1 | Bracket, Striker, LH | - | 2207867 |
| 16 | 2 | Pin, Striker | - | 2207867, 2207868 |
| 17 | 4 | Nut, Hex Flange, Locking - M8 X 1.25 | - | 2207867, 2207868 |
| 18 | 2 | Nut, Hex - M12 X 1.75 | - | 2207867, 2207868 |
| 19 | 4 | Washer, Nylon - 10.25 X 19.0 X 2.0 | 5439712 | - |
| 20 | 1 | Hinge, Chassis-Side, Upper LH (front door) | - | 2207869* |
| 21 | 1 | Hinge, Chassis-Side, Lower LH (front door) | - | 2207869* |
| 22 | 1 | Hinge, Door-Side, Lower LH (front door) | - | 2207870* |
| 23 | 2 | Spacer | 5265312 | - |
| 24 | 1 | Hinge, Chassis-Side, Upper RH (front door) | - | 2207869* |
| 25 | 1 | Cover, B-Pillar, LH | 5454372-070 | - |
| 26 | 1 | Hinge, Door Side, Upper RH | - | 2207870* |
| 27 | 1 | Latch, Interior, RH | - | 2207868 |
| 28 | 1 | Bracket, Striker, RH | - | 2207868 |
| 29 | 1 | Cover, B-Pillar, RH | 5454373-070 | - |
| 30 | 1 | Hinge, Door-Side, Lower RH (front door) | - | 2207870* |
| 31 | 1 | Hinge, Chassis-Side, Lower RH (front door) | - | 2207869* |
| 32 | 1 | Hinge, Door Side, Lower RH | - | 2207870* |
| | 1 | Instructions | 9929274 | - |

* Service kit contains parts and hardware required for BOTH sides of vehicle.

TOOLS REQUIRED

- Safety Glasses
- Pliers, Push Pin Rivet
- Screwdriver, Phillips
- Screwdriver Set, Torx®
- Socket Set, Hex Bit, Metric (including M8)
- Socket Set, Metric
- Socket Set, SAE
- Torque Wrench
- Wrench Set, Metric

CONSUMABLES REQUIRED

- Gloves, Chemical Resistant
- Grease, Polaris All Season (or equivalent)

IMPORTANT

Your Crew Canvas Door Kit is exclusively designed for your vehicle. Please read the installation instructions thoroughly before beginning. Installation is easier if the vehicle is clean and free of debris. For your safety, and to ensure a satisfactory installation, perform all installation steps correctly in the sequence shown.

ASSEMBLY TIME

Approximately 75–90 minutes

INSTALLATION INSTRUCTIONS

IMPORTANT

Polaris recommends completing installation Steps 1–4 of this Crew Canvas Door Kit **PRIOR TO** installing Front Canvas Door Kit 2882902. Installation of **FRONT** door hinges on **crew** vehicles is different from installation on **non-crew** vehicles. See Steps 3–4 for detail.

NOTE

Polaris recommends two people install this kit.

1. Shift vehicle transmission into “PARK”. Turn ignition switch to “OFF” position and remove key.
2. Raise vehicle bed.
3. Install lower door-side hinge on **FRONT** door.

IMPORTANT

Two of the four lower door-side hinges included in this Crew **REAR** Door Kit will be used on the **FRONT** doors. The lower door-side hinges included in the **FRONT** Door Kit will **NOT** be used.

New front lower door-side hinges are required to accommodate different hinge mounting structure between crew and non-crew vehicles.

As a result, do **NOT** follow front door hinge installation instructions included in the Front Door Kit (except as noted below). Follow these instructions instead.

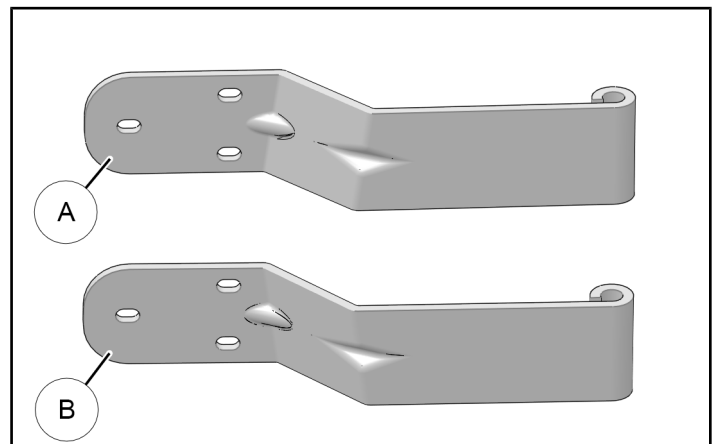
NOTE

The upper door-side hinges included in the **FRONT Canvas Door Kit 2882902** will be installed as described in the Front Door Kit instructions. No deviation is required for use on crew vehicles.

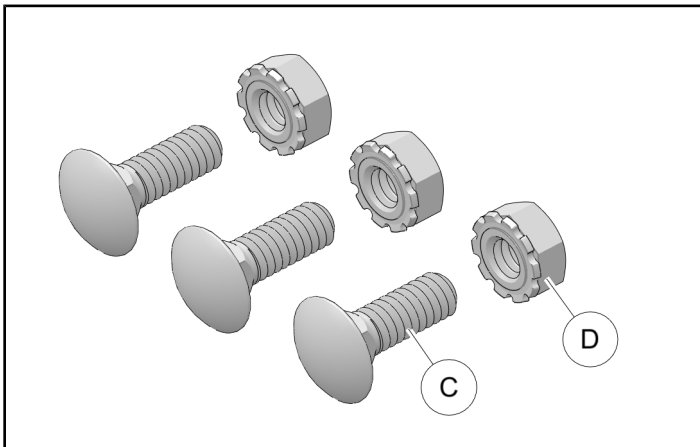
- a. Locate the LH and RH lower door-side hinges **(A)** and **(B)** included in the **FRONT Canvas Door Kit 2882902**. Set these hinges aside; they will not be used anywhere on a **CREW** vehicle.

IMPORTANT

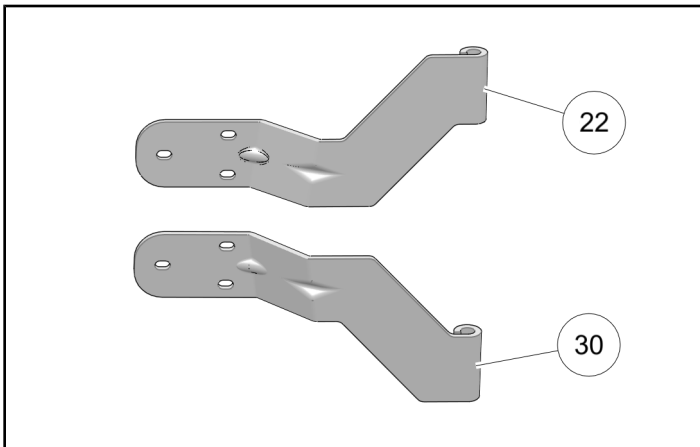
These **FRONT** door-side hinges look very similar to the **REAR** door-side hinges included in this Crew Canvas Door Kit. However, they are not identical and should not be used.



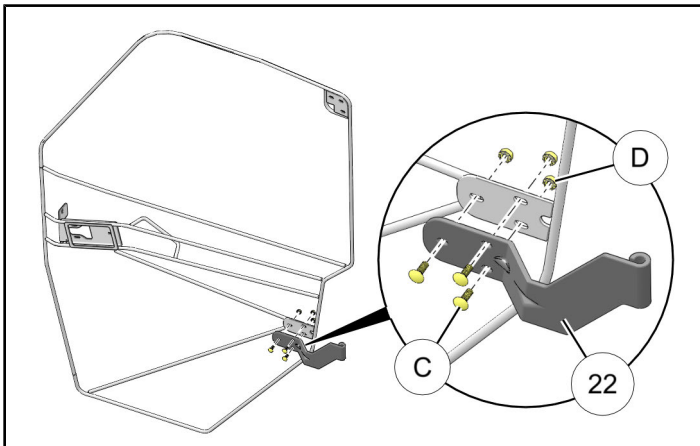
- b. Locate the following hardware included in the **FRONT Canvas Door Kit 2882902**:
- 1/4–20 X 3/4 carriage bolts ③ (quantity 3)
 - 1/4–20 nuts (with external tooth lock washer) ④ (quantity 3)



- c. Identify **LH** lower door-side hinge ②. Notice differences from **RH** lower door-side hinge ③.



- d. Loosely install LH lower door-side hinge ② to **FRONT LH** door using three each carriage bolts ③ and nuts ④.



4. Install chassis-side hinges for **FRONT** door.

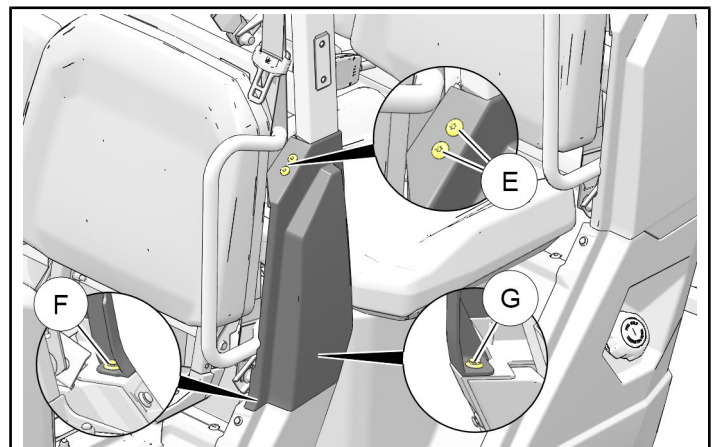
IMPORTANT

The chassis-side hinges included in this Crew **REAR** Door Kit will be used with the **FRONT** doors. Conversely, the chassis-side hinges included in the **FRONT** Canvas Door Kit 2882902 will be used with the Crew **REAR** doors.

Swapping hinges is required to accommodate different hinge mounting structure between crew and non-crew vehicles.

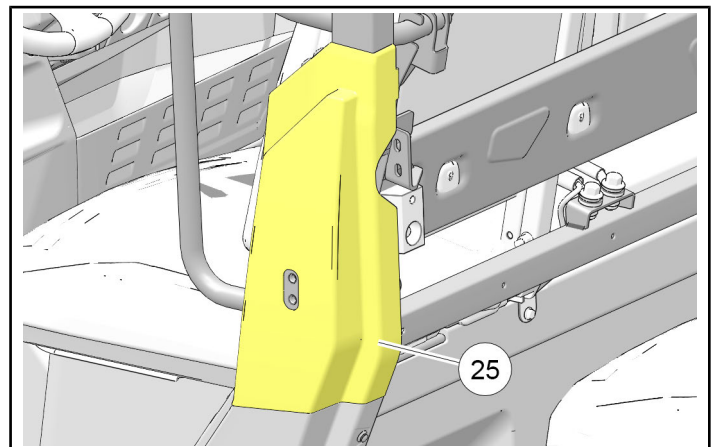
As a result, do **NOT** follow front door hinge installation instructions included in the Front Door Kit. Follow these instructions instead.

- a. Remove two screws ⑤ from top of existing B-pillar cover. Retain screws.

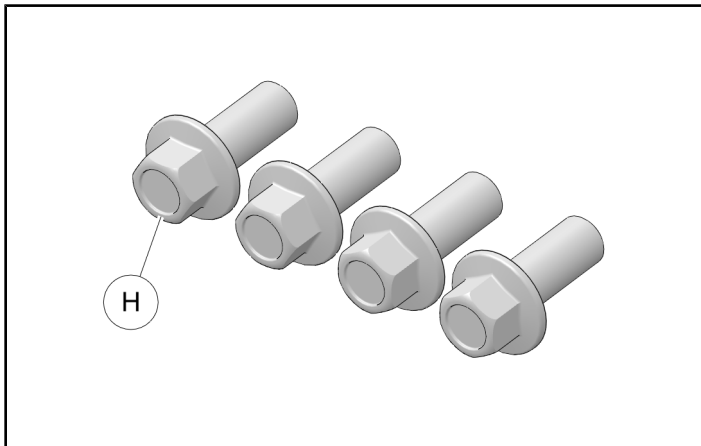


- b. Remove two push pin rivets from bottom interior of B-pillar cover (front rivet ⑥ and rear rivet ⑦), then remove cover. Retain rivets. Cover will not be reused.

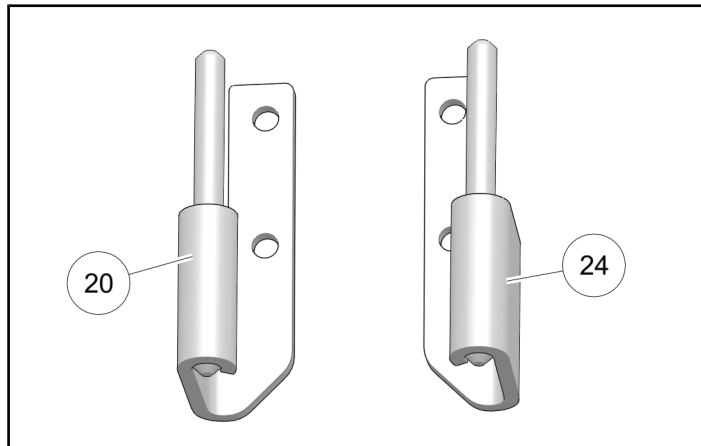
- c. Install new LH B-pillar cover ②⑤ using retained screws ⑤ and push-pin rivets ⑥ and ⑦.



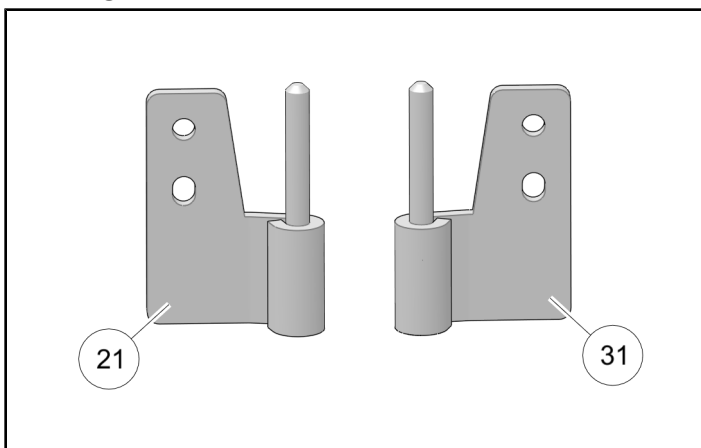
- d. Locate four M8 X 1.25 X 20 hex flange screws **(H)** included in the **FRONT Canvas Door Kit 2882902**.



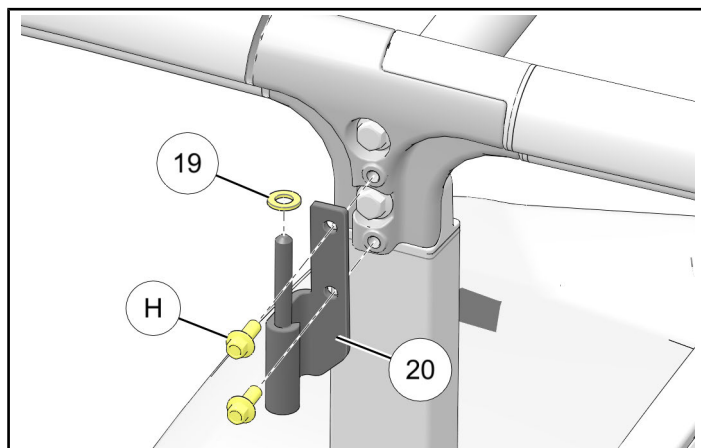
- h. Identify **LH** upper chassis-side hinge **(20)**. Notice differences from **RH** upper chassis-side hinge **(24)**.



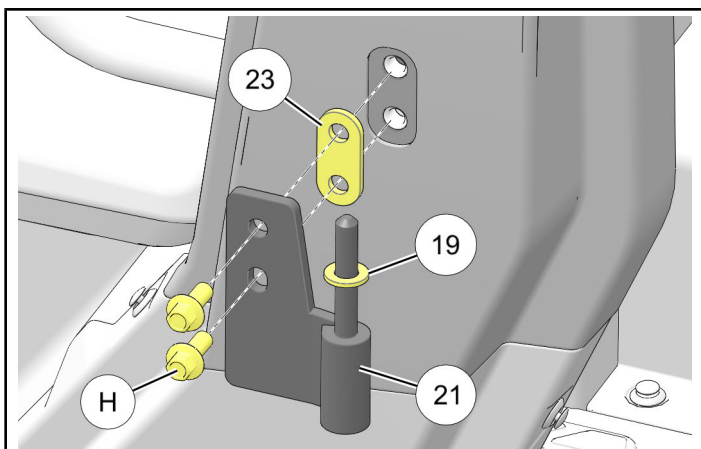
- e. Identify **LH** lower chassis-side hinge **(21)**. Notice differences from **RH** lower chassis-side hinge **(31)**.



- i. Install upper LH chassis-side hinge **(20)** to B-pillar fitting using two screws **(H)**. Tighten screws.



- f. Install spacer **(23)** and lower chassis-side hinge **(21)** to B-pillar fitting using two screws **(H)**. Tighten screws.



- j. Install nylon washer **(19)** to hinge pin.

WARNING
Follow all chemical manufacturer instructions and safety precautions. Failure to follow all manufacturer instructions and precautions may result in severe injury or death.

- k. Grease pins on upper chassis-side hinge **(20)** and lower chassis-side hinge **(21)** with Polaris All Season Grease (or equivalent).

- l. Continue with front door installation per instructions provided with Front Door Kit.

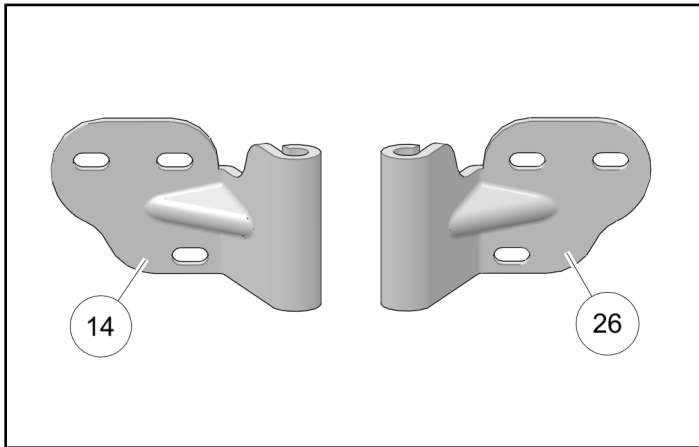
When door adjustment is complete, ensure four chassis-side hinge screws **(H)** and three door-side hinge nuts **(D)** are torqued to specification.

- g. Install nylon washer **(19)** to hinge pin.

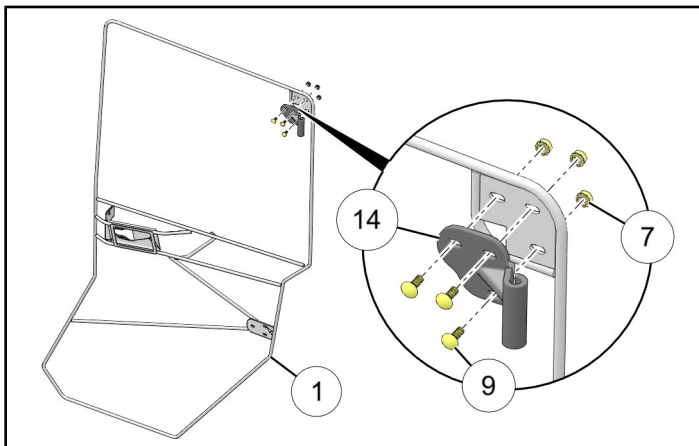
NOTE
Washer acts as bearing surface to assist in smooth door operation.

TORQUE
Chassis-side hinge screws **(H)**: 17 ft. lbs. (23 Nm) ± 10%
Door-side hinge nuts **(D)**: 5 ft. lbs. (7 Nm) ± 10%

5. Install door-side hinges for **REAR** door.
- Identify **LH** upper door-side hinge (14). Notice differences from **RH** upper door-side hinge (26).

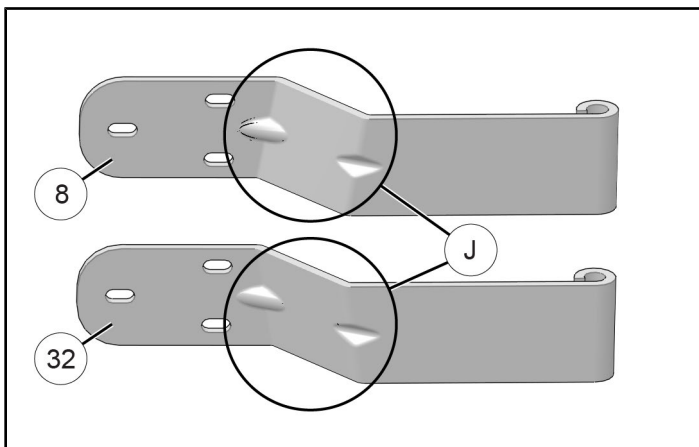


- Loosely install LH upper door-side hinge (14) to LH rear door (1) using three each carriage bolts (9) and nuts (7).

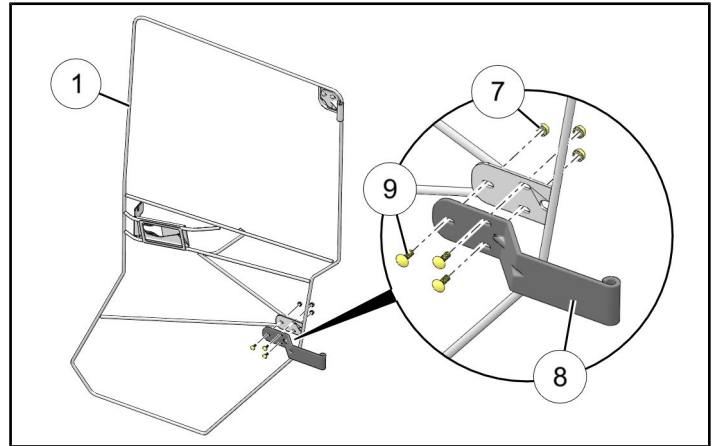


- Identify **LH** lower door-side hinge (8). Notice differences from **RH** lower door-side hinge (32) (especially angle of joggle (J)).

IMPORTANT
Do NOT use lower door-side hinges included in **FRONT Canvas Door Kit 2882902**. See Step 3a.

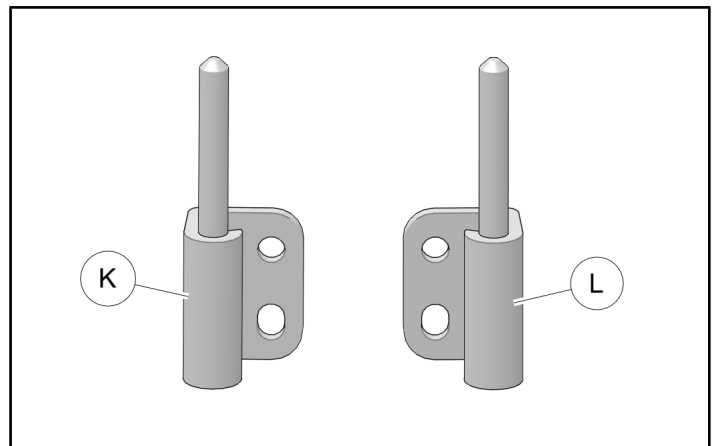


- Loosely install LH lower door-side hinge (8) to LH rear door (1) using three each carriage bolts (9) and nuts (7).

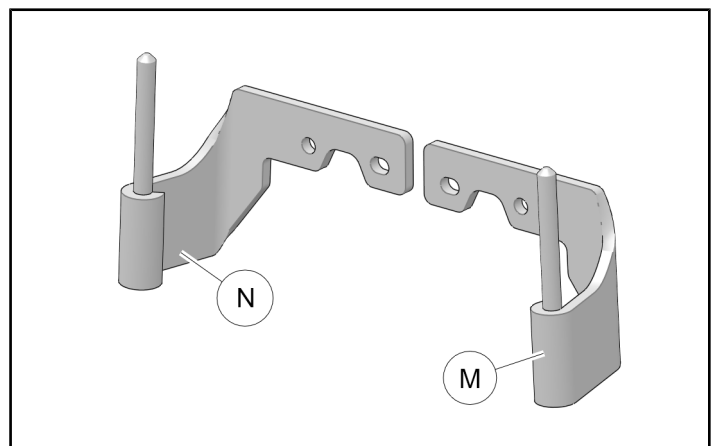


6. Install chassis-side hinges for **REAR** door.
- Locate the following parts included in the **FRONT Canvas Door Kit 2882902**:

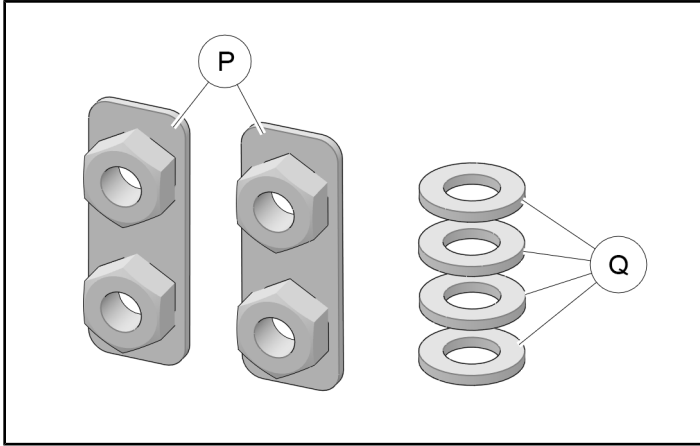
- Upper **LH** chassis-side hinge (K)
- Upper **RH** chassis-side hinge (L)



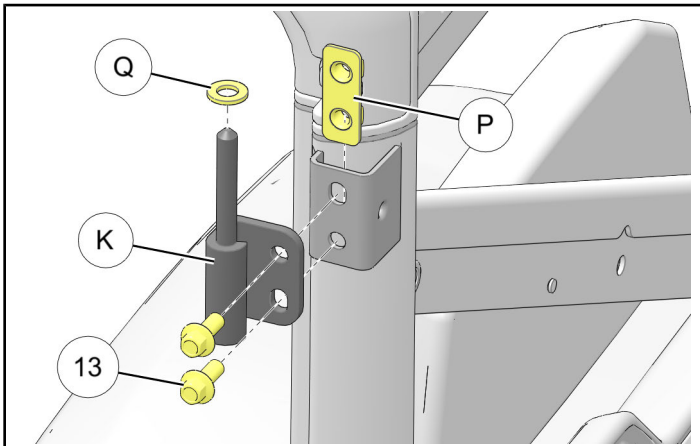
- Lower **LH** chassis-side hinge (M)
- Lower **RH** chassis-side hinge (N)



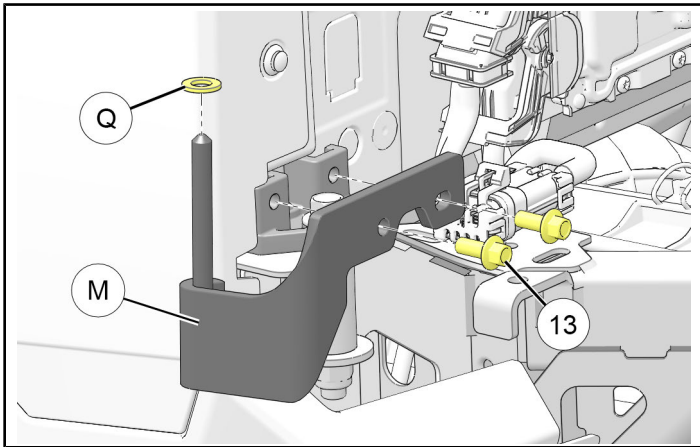
- Nut plate **P** (quantity 2)
- Nylon washer **Q** (quantity 4)



b. Install upper LH chassis-side hinge **K** to C-pillar fitting using two screws **13** and nut plate **P**. Tighten screws.



c. Install lower LH chassis-side hinge **M** to chassis fitting using two screws **13**. Tighten screws.



WARNING
 Follow all chemical manufacturer instructions and safety precautions. Failure to follow all manufacturer instructions and precautions may result in severe injury or death.

d. Install nylon washer **Q** to hinge pins on upper LH chassis-side hinge **K** and lower LH chassis-side hinge **M**.

Grease pins with Polaris All Season Grease (or equivalent).

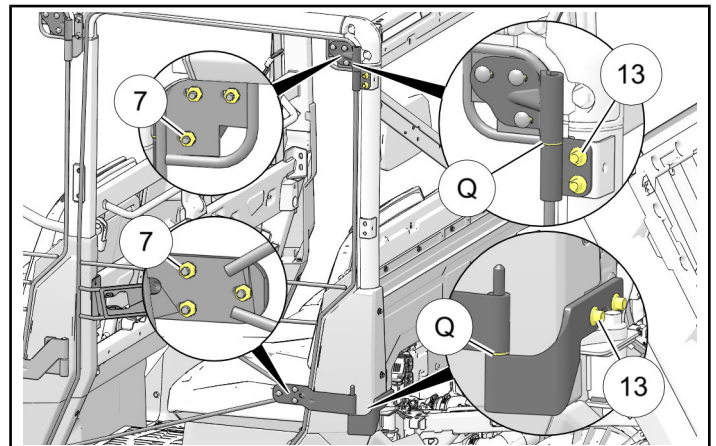
7. Install LH door assembly on lower chassis-side hinge **M** first, then upper chassis-side hinge **K**.

NOTE
 Lower hinge pin is longer than upper hinge pin to assist in door installation.

8. Ensure six upper and lower DOOR-SIDE hinge nuts **7** are slightly loose (see Step 5), then close door. Push door inwards while centering door in ROPS/chassis opening, then tighten nuts.

If door cannot be centered, loosen upper and/or lower CHASSIS-SIDE hinge screws **13**, center door, then retighten all screws. If necessary, upper and/or lower nylon washers **Q** may be removed.

TIP
 Have one person push and center the door, and a second person tighten the screws.



9. Torque all four chassis-side hinge screws ⑬ and all six door-side hinge nuts ⑦ to specification.

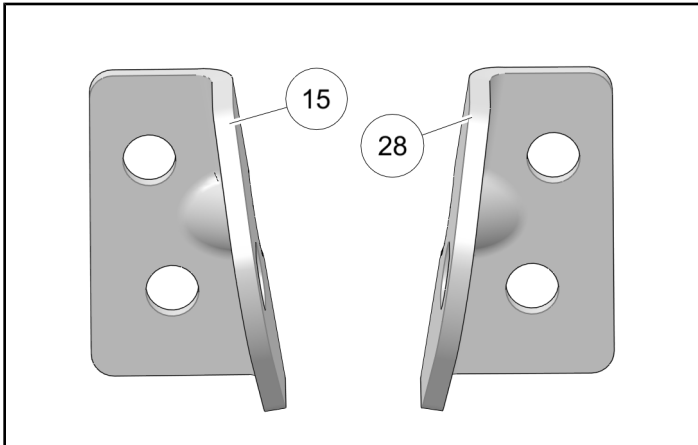
TORQUE

Chassis-side hinge screws ⑬: 17 ft. lbs. (23 Nm) ± 10%

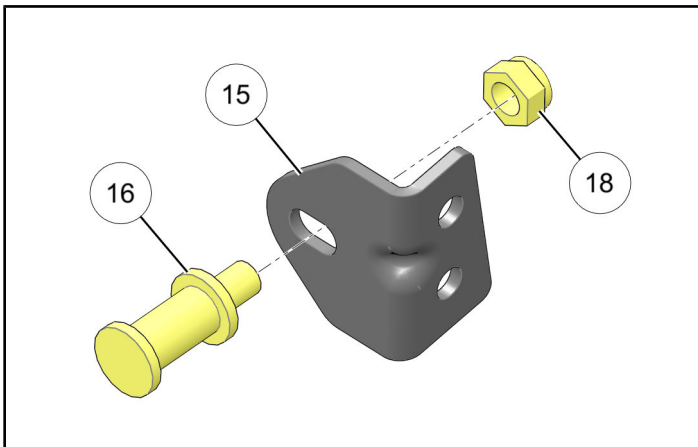
Door-side hinge nuts ⑦: 5 ft. lbs. (7 Nm) ± 10%

10. Assemble and install striker.

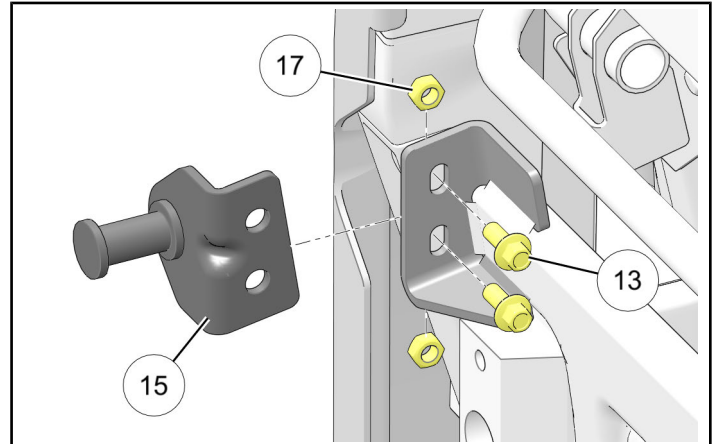
- a. Identify LH striker bracket ⑮. Notice differences from RH striker bracket ⑳.



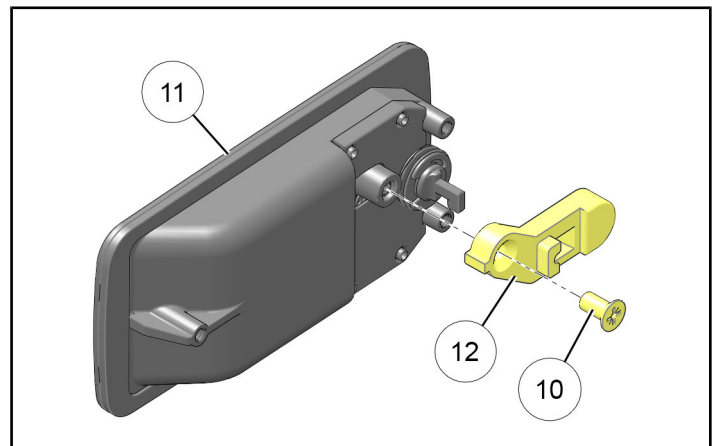
- b. Install striker pin ⑯ to LH striker bracket ⑮ using nut ⑱. Center pin in slot, then tighten nut.



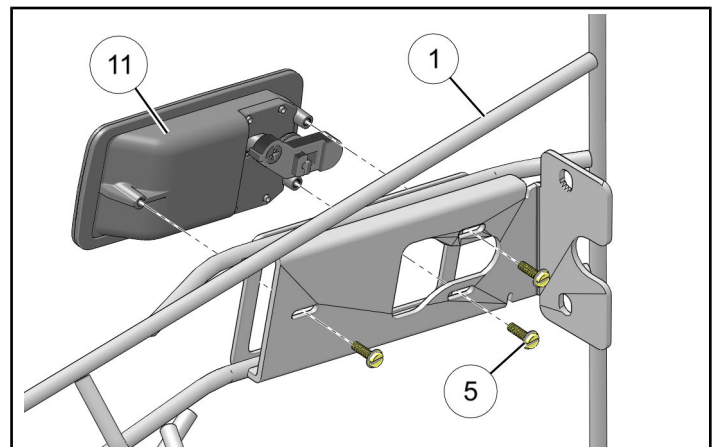
- c. Install LH striker bracket ⑮ assembly to chassis using two each screws ⑬ and nuts ⑰. Center bracket in slots, then tighten screws.



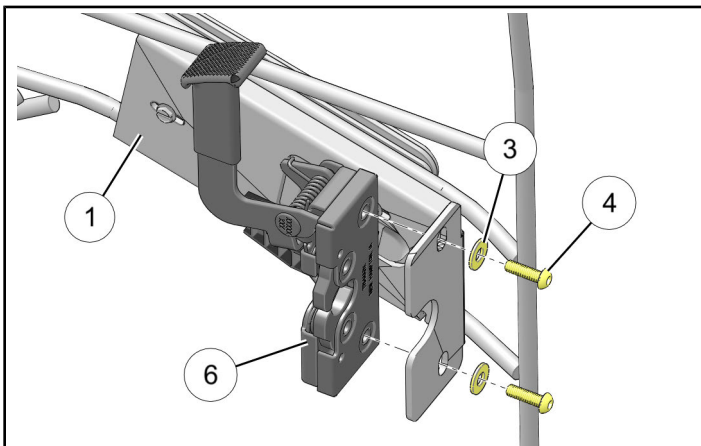
11. Assemble lever ⑫ to exterior latch ⑪ using screw ⑩.



12. Install exterior latch ⑪ to LH door frame ① using three screws ⑤. Center latch in slotted holes, then tighten screws.



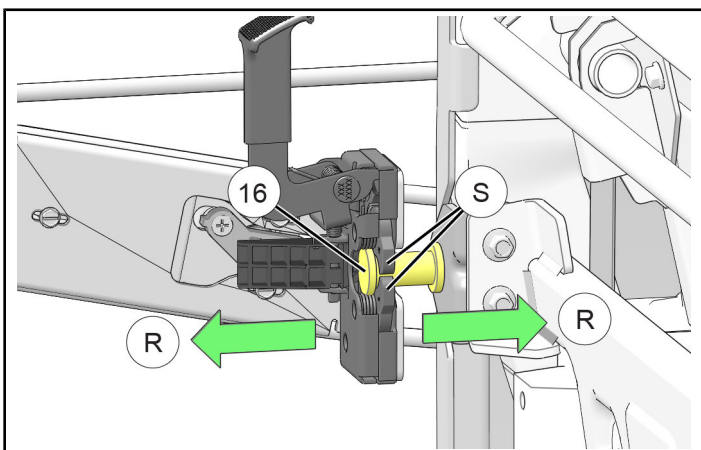
13. Install LH interior latch ⑥ to LH door frame ① using two each screws ④ and washers ③. Center latch in slotted holes, then tighten screws.



14. Open door latch (to properly position pawls), then slowly close door and observe engagement of striker pin ⑯ into door latch.

Adjust striker pin and/or LH striker bracket ⑮ to achieve the following:

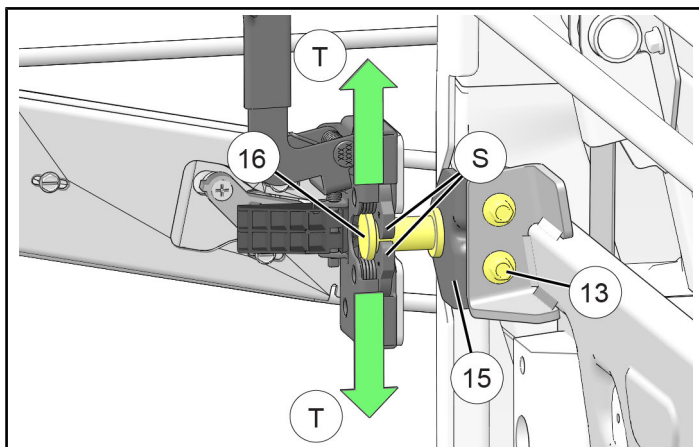
- a. **EXTENSION** ⑰: Head of striker pin ⑯ should fully clear rear side of latch pawls ⑳ as shown. To adjust, loosen door-side hinge nuts ㉑, slide entire door front or rear as required, then re-torque nuts. See Steps 8–9.



- b. **HEIGHT** ㉒: Striker pin ⑯ should be centered vertically between upper and lower latch pawls ㉓. To adjust, loosen two screws ㉔, slide LH striker bracket ⑮ up or down as required, then retighten screws.

NOTE

If further adjustment range is needed, loosen two screws ④, slide interior door latch ⑥ up or down as required, then retighten screws. See Step 13.

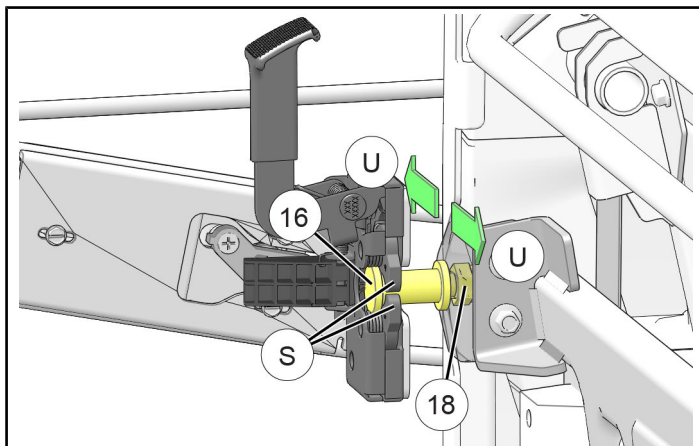


- c. **DEPTH** ㉕: As required to achieve desired seal compression and door fairing. To adjust, loosen nut ⑱, slide striker pin ⑯ inboard or outboard as required, then retighten nut.

Ensure depth adjustment is made with latch pawls ㉓ at FULL closure as shown below (second “click”), not at partial closure (first “click”).

NOTE

Nut can be accessed by reaching up from below striker bracket.
LH striker bracket ⑮ shown partially transparent for clarity.



15. Torque striker bracket screws ⑬ to specification.

TORQUE

17 ft. lbs. (23 Nm) ± 10%

16. Torque striker nut ⑱ to specification.

TORQUE

54 ft. lbs. (73 Nm) ± 10%

17. Repeat Steps 3–16 for RH door assembly ② using RH parts as identified in section **KIT CONTENTS**.

18. Lower vehicle bed.

FEEDBACK FORM

A feedback form has been created for the installer to provide any comments, questions or concerns about the installation instructions. The form is viewable on mobile devices by scanning the QR code or by clicking [HERE](#) if viewing on a PC.

FEEDBACK FORM

