

105 QUART COOLER WHEELS KIT



P/N 2883967

APPLICATION

Polaris Northstar® 105 Quart Cooler (PN 2883392, 2883426, or equivalent)

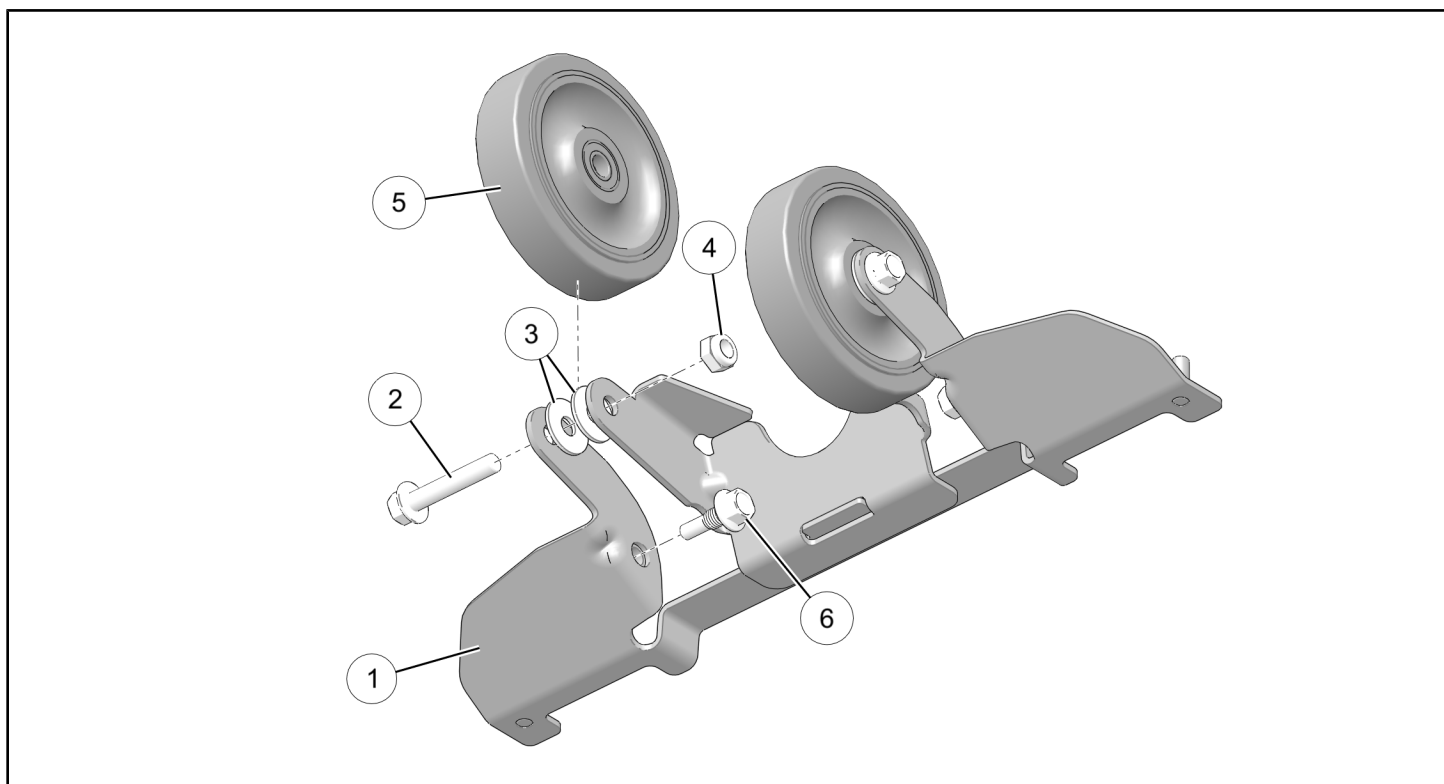
BEFORE YOU BEGIN

Read these instructions and check to be sure all parts and tools are accounted for. Please retain these installation instructions for future reference and parts ordering information.

KIT CONTENTS

This kit only contains parts for installation of cooler wheels. A Polaris Northstar® 105 Quart Cooler (PN 2883392, 2883426, or equivalent) is also required (sold separately).

This Kit includes:



REF	QTY	PART DESCRIPTION	PART NUMBER
1	1	Frame, Cooler Wheels	-
2	2	Screw, Hex Flange - M10 X 1.5 X 55	7519132
3	4	Washer - 10.6 X 20.0 X 2.0	7556155
4	2	Nut, Hex, Locking - M10 X 1.5	7547442
5	2	Wheel - 125 X 32	-
6	2	Screw, Hex Flange - M10 X 1.5 X 30	-
	1	Instructions	9929264

TOOLS REQUIRED

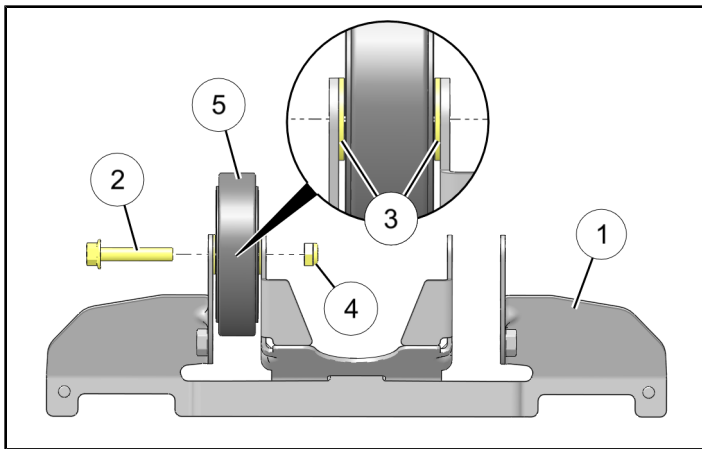
- Safety Glasses
- Socket Set, Metric
- Wrench Set, Metric

IMPORTANT

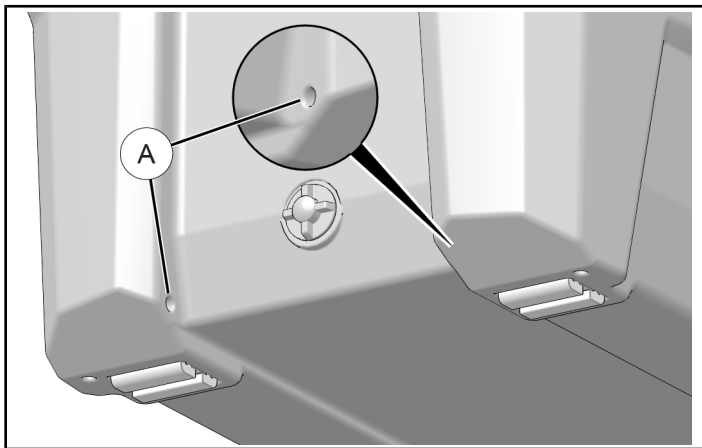
Your 105 Quart Cooler Wheels Kit is exclusively designed for your vehicle. Please read the installation instructions thoroughly before beginning. Installation is easier if the vehicle is clean and free of debris. For your safety, and to ensure a satisfactory installation, perform all installation steps correctly in the sequence shown.

INSTALLATION INSTRUCTIONS

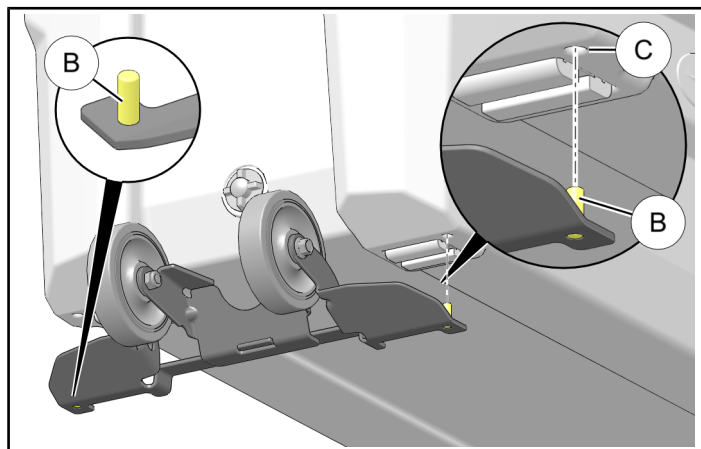
1. Install wheel ⑤ to frame ① using one screw ②, two washers ③, and one nut ④. Ensure the following:
 - One washer is located on each side of wheel, between wheel and frame, as shown
 - Screw is oriented with head on OUTSIDE of frame/wheel assembly



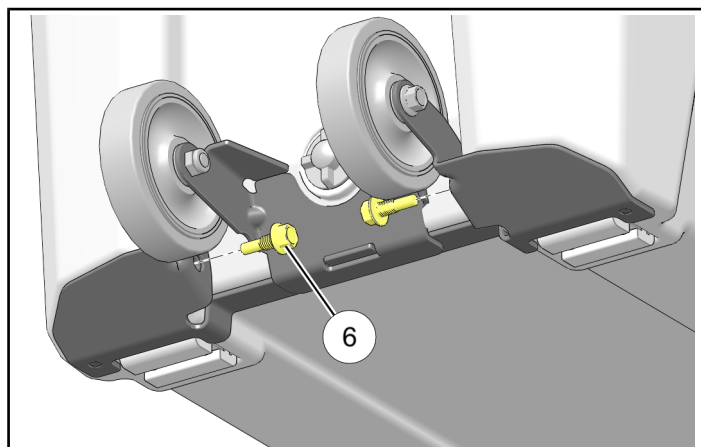
2. Observe location of two holes ① for use in Step 4.



3. Install frame/wheel assembly to DRAIN end of cooler by fully inserting two pins ② into mating holes ③ on bottom of cooler.



4. Install two locking screws ⑥ through sides of frame/wheel assembly into mating holes ① on cooler. See Step 2.



FEEDBACK FORM

A feedback form has been created for the installer to provide any comments, questions or concerns about the installation instructions. The form is viewable on mobile devices by scanning the QR code or by clicking [HERE](#) if viewing on a PC.

