

XT PRO LODGE BY OTTER® KIT



P/N 2882199

APPLICATION

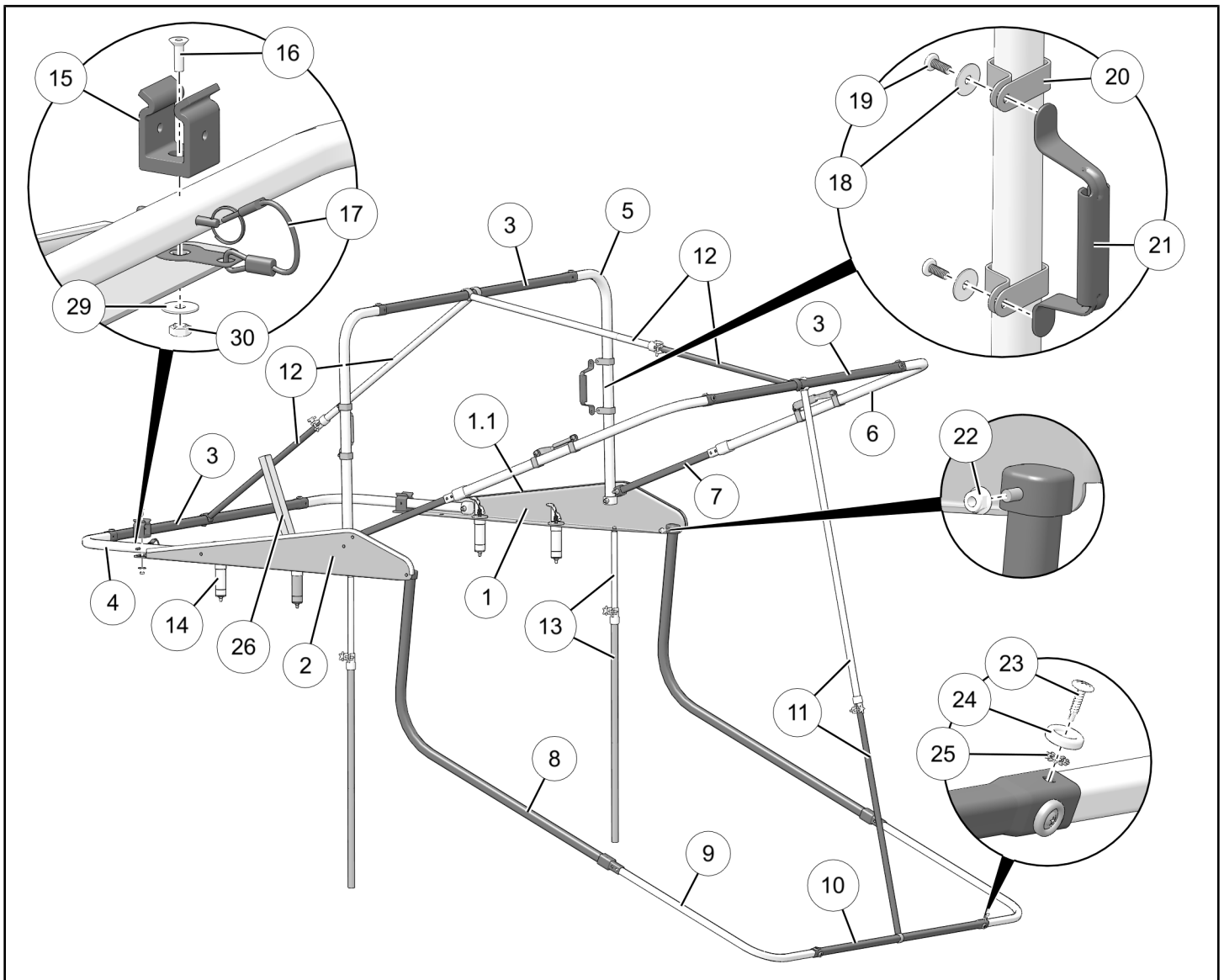
Verify accessory fitment at Polaris.com.

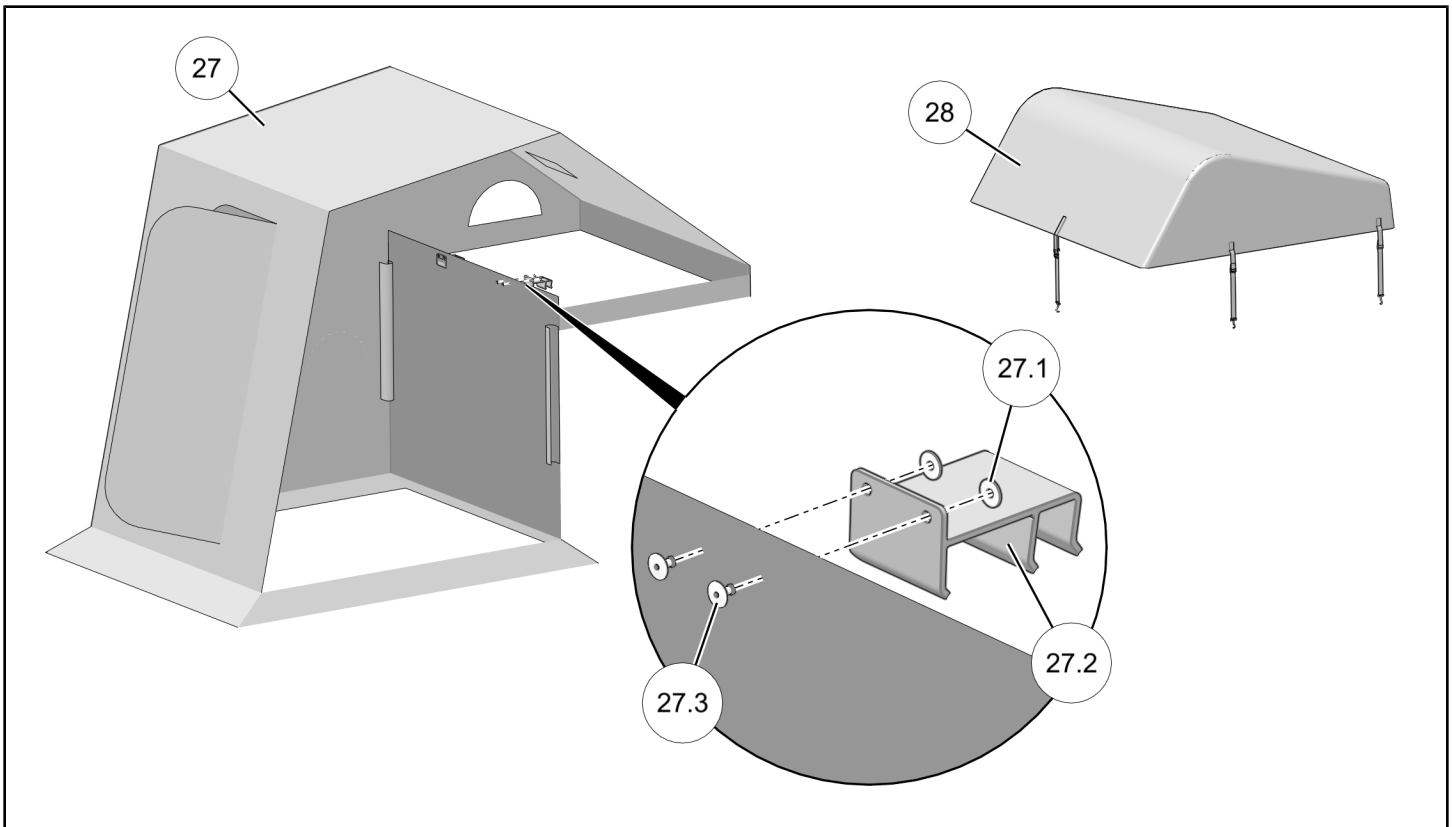
BEFORE YOU BEGIN

Read these instructions and check to be sure all parts and tools are accounted for. Please retain these installation instructions for future reference and parts ordering information.

KIT CONTENTS

This Kit includes:





REF	QTY	PART DESCRIPTION	PART NUMBER	INCLUDED IN SERVICE KIT
1	1	Right Frame Bracket	-	2207980
1.1	1	- Seal	-	2206461
2	1	Left Frame Bracket	-	2207980
2.1	1	- Seal (not shown)	-	2206461
3	3	Middle Straight Section	-	*
4	2	Cargo Box Elbow (includes tube and end cap)	-	*
5	2	Center Elbow (includes tube and end cap)	-	*
6	2	Door Overhead Elbow (includes tube and tube connector)	-	*
7	2	Door Overhead Extension Pole (includes tube and end cap)	-	*
8	2	Bottom Drop Down Pole (includes tube, tube connector, and end cap)	-	*
9	2	Bottom Elbow	-	*
10	1	Bottom Middle Straight Section	-	*
11	1	Adjustable Door Support Pole (includes inner and outer tubes, end hooks, adjustor clamp, and knob)	-	2207978
12	2	Adjustable Roof Support Pole (includes inner and outer tubes, end hooks, adjustor clamp, and knob)	-	2207978**
13	2	Adjustable Curtain Support Pole (includes inner and outer tubes, adjustor clamp, knob, and insert pin)	-	2207978**

REF	QTY	PART DESCRIPTION	PART NUMBER	INCLUDED IN SERVICE KIT
14	4	Expansion Anchor Kit, Lock & Ride®	2875250	-
15	2	Tube Holder	-	2206461 (Qty 1)
16	2	Screw, Hex Socket Flat Head - 1/4–20 X 7/8	7517652	2206461 (Qty 1)
17	1	Pin Assembly - 6 mm	-	2206461
18	8	Washer, Flat - M4	-	2206461 (Qty 2)
19	8	Screw, Phillips - M4 X 0.7 X 10	-	2206461 (Qty 2)
20	8	Clamp, Handle	-	2206461 (Qty 2)
21	4	Handle	-	2206461 (Qty 1)
22	8	Nut, Hex Flange, Locking - 5/16 – 18	7542343	2206461 (Qty 4)
23	16	Screw, Self-Tapping - #8 X 3/4	-	2206461 (Qty 8)
24	16	Washer, Dome - 0.438 ID X 0.745 OD	-	2206461 (Qty 8)
25	16	Washer, Star - 0.197 X 0.5	-	2206461 (Qty 8)
26	1	Strap, Tie-Down	-	2206461
27	1	Shelter (includes items 26.1–26.3)	2637493	-
27.1	4	- Washer, Flat - 0.20 X 0.67 X 0.048	7556034	2206461
27.2	2	- Clamp, Tailgate	-	2206461
27.3	4	- Rivet, Blind, Steel, Dome Head - 0.187 X 0.440	7621472	2206461
28	1	Cover	2637494	-
29	2	Washer, Flat - 0.281 X 1.00 X 0.051	7556329	2206461 (Qty 1)
30	2	Nut, Hex - 1/4–20	7542105	2206461 (Qty 1)
	1	Instructions	9927359	-

* Service kit PN 2207979 contains ONE tube of each item number (tube only, no associated parts). Related service kit PN 2206461 contains the following associated parts: ONE each small square tube end cap, large square tube end cap, and square tube connector.

** Service kit contains ONE set of tubes (inner and outer), plus associated parts.

TOOLS REQUIRED

- Safety Glasses
- Cutting Tool (as required)
- Screwdriver, Phillips
- Socket Set, Hex Bit, Metric
- Socket Set, Metric
- Socket Set, SAE
- Wrench Set, Metric
- Wrench Set, SAE

IMPORTANT

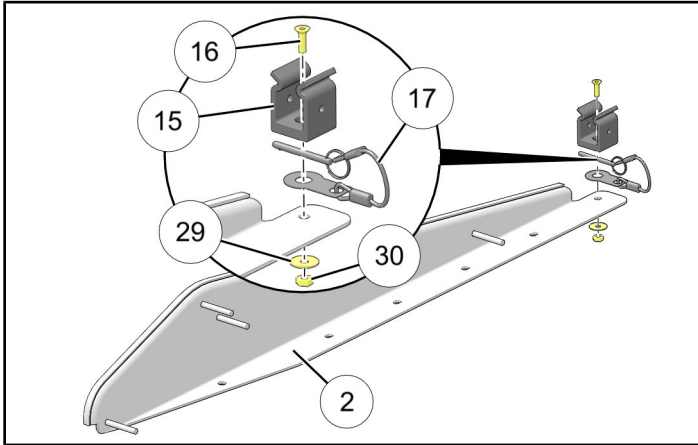
Your XT Pro Lodge by Otter® Kit is exclusively designed for your vehicle. Please read the installation instructions thoroughly before beginning. Installation is easier if the vehicle is clean and free of debris. For your safety, and to ensure a satisfactory installation, perform all installation steps correctly in the sequence shown.

INSTALLATION INSTRUCTIONS

BRACKET ASSEMBLY AND INSTALLATION

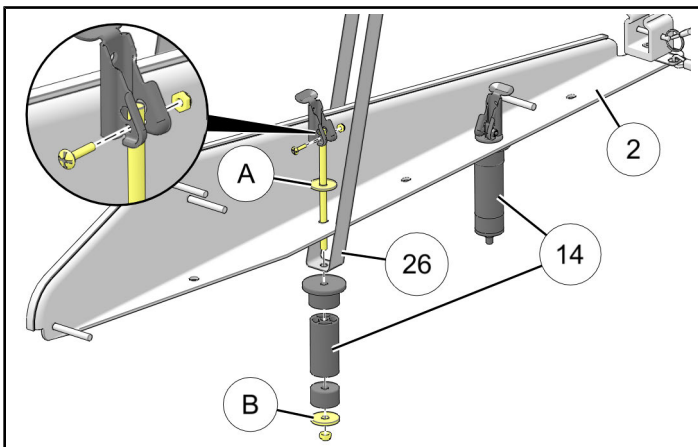
1. Shift vehicle transmission into "PARK". Turn ignition switch to "OFF" position and remove key.
2. Assemble tube holder ⑮ and pin assembly ⑰ to left frame bracket ② using screw ⑯, washer ⑲, and nut ⑳. Tighten screw.

Repeat for RH side using right frame bracket ①, but WITHOUT pin assembly ⑰.



3. Assemble and install two LOCK & RIDE® expansion anchors ⑭ to left frame bracket ② at holes shown. Observe location of nylon washer ① and steel washer ②, and installation of tie-down strap ⑳ at LEFT REAR expansion anchor.

Repeat for RH side using right frame bracket ①, but WITHOUT tie-down strap ⑳.

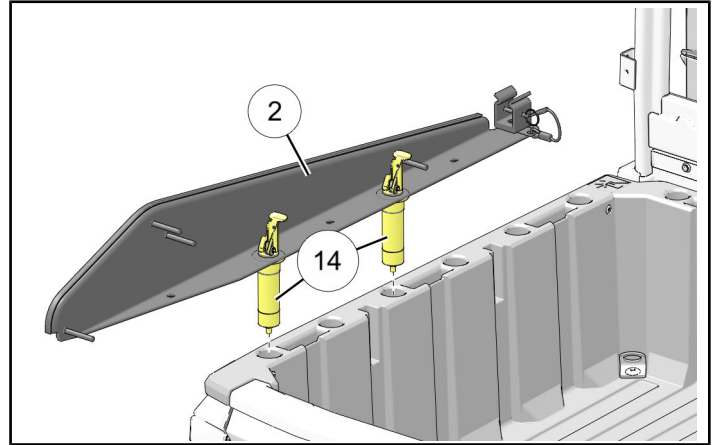


4. Ensure both expansion anchors ⑭ are unlocked, then install frame brackets ① and ② into bed until anchors are fully seated. Depress levers to lock in place.

If installation is loose, remove bracket from bed, tighten nut at base of affected anchor(s), and reinstall.

NOTE

Tie-down strap hidden for clarity.

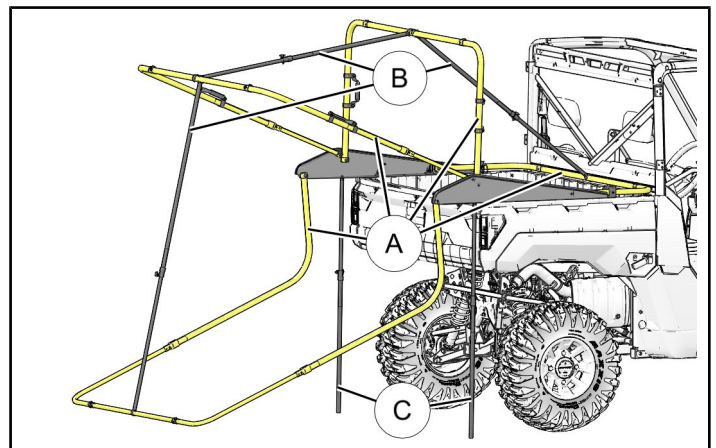


POLE ASSEMBLY AND INSTALLATION

The shelter frame consists of four U-shaped pole assemblies (A), each assembly installed to the right and left left frame brackets ① and ②. This is a one time task. After these four assemblies are installed to the frame brackets they do not have to be removed or disassembled, even for shelter collapse and transport.

In addition, three centerline support pole assemblies (B), and two vertical support pole assemblies (C) are also used. Although these must be installed or removed each time the shelter is opened or closed, each pole assembly itself comes and remains fully assembled.

Assembly and installation will occur from front to rear, starting with U-shaped pole assemblies (A), then centerline support pole assemblies (B). The vertical support pole assemblies (C) will be installed with the shelter in the next section.



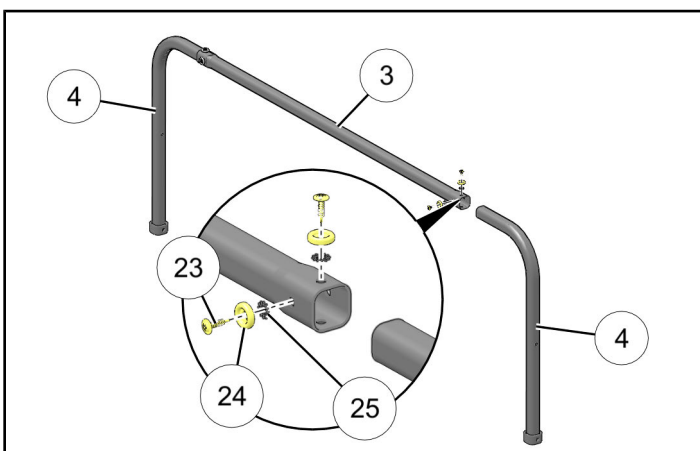
1. Assemble and install U-shaped CARGO BOX pole assembly.
 - a. Assemble two CARGO BOX ELBOW poles ④ to MIDDLE STRAIGHT SECTION pole ③. Push poles together until fully seated, then secure using four each self-tapping screws ②③, dome washers ②④, and star washers ②⑤.

IMPORTANT

Elbows do not have pre-drilled holes. Self-tapping screws will form their own holes. However, to avoid stripping holes, **HAND TIGHTEN SCREWS.**

TIP

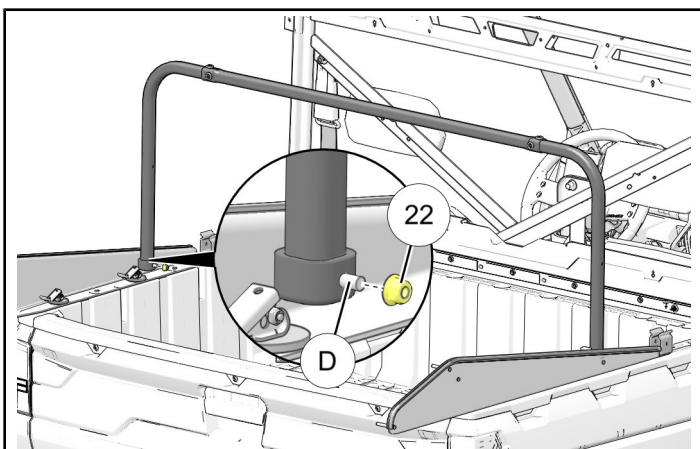
Wrap joint fasteners with duct tape (or equivalent) to minimize loosening of screws during repeated use.



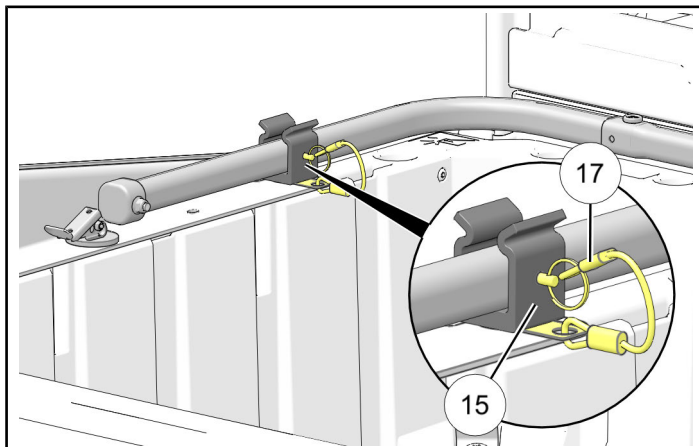
- b. With pole assembly in upright orientation, loosely install one side of pole assembly to stud ① on bracket, then install opposite side.

NOTE

If difficulty is encountered when installing pole assemblies to bracket studs, then unlock both LOCK & RIDE® expansion anchors from bracket, lift bracket from vehicle bed, install pole assembly, then reinstall bracket and lock expansion anchors.



- c. Install nut ②② to each stud ①①, but do not overtighten. Pole assembly must be free to rotate on stud.
 - d. Clip pole assembly into LH and RH tube holders ①⑤, then install pin ①⑦ in LH tube holder.



2. Assemble and install U-shaped CENTER pole assembly.

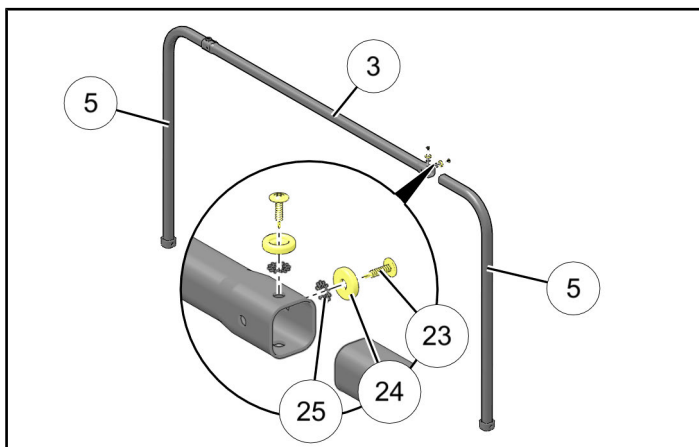
- a. Assemble two CENTER ELBOW poles ⑤ to MIDDLE STRAIGHT SECTION pole ③. Push poles together until fully seated, then secure using four each self-tapping screws ②③, dome washers ②④, and star washers ②⑤.

IMPORTANT

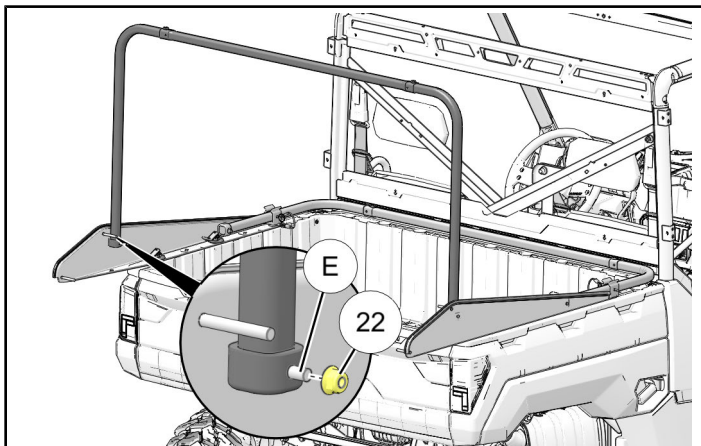
Elbows do not have pre-drilled holes. Self-tapping screws will form their own holes. However, to avoid stripping holes, **HAND TIGHTEN SCREWS.**

TIP

Wrap joint fasteners with duct tape (or equivalent) to minimize loosening of screws during repeated use.



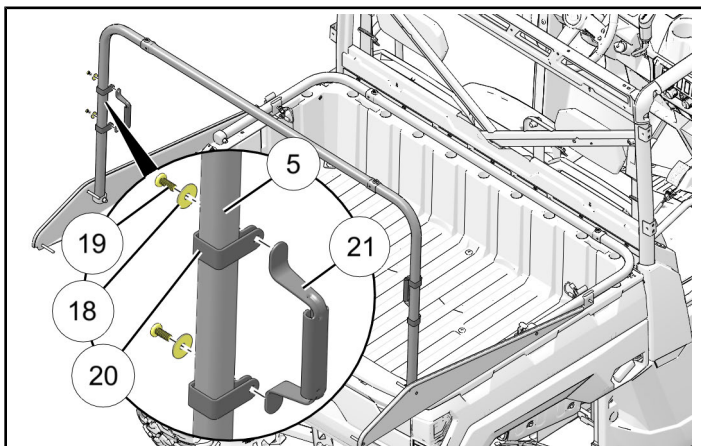
- b. With pole assembly in upright orientation, loosely install one side of pole assembly to stud **E** on bracket, then install opposite side.



- c. Install nut **22** to each stud **E**, but do not overtighten. Pole assembly must be free to rotate on studs.
- d. Loosely install two brackets **20** and handle **21** to CENTER ELBOW pole **5** using two each screws **19** and washers **18**.

Using handle, pivot CENTER pole assembly down against previously installed CARGO BOX pole assembly. Position handle to prevent interference between the two pole assemblies, then tighten handle fasteners.

Repeat handle installation on opposite side pole.



3. Assemble and install U-shaped DOOR pole assembly.

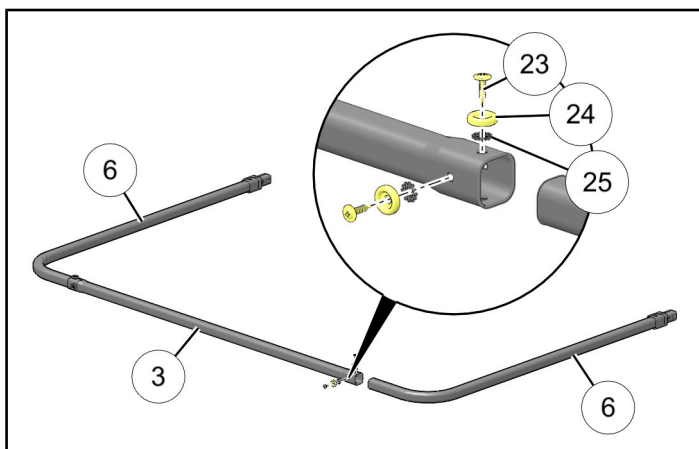
- a. Assemble two DOOR OVERHEAD ELBOW poles **6** to MIDDLE STRAIGHT SECTION pole **3**. Push poles together until fully seated, then secure using four each self-tapping screws **23**, dome washers **24**, and star washers **25**.

IMPORTANT

Elbows do not have pre-drilled holes. Self-tapping screws will form their own holes. However, to avoid stripping holes, **HAND TIGHTEN SCREWS**.

TIP

Wrap joint fasteners with duct tape (or equivalent) to minimize loosening of screws during repeated use.



- b. Orient DOOR OVERHEAD EXTENSION pole ⑦ so lock button on end of pole is on INSIDE of frame (to engage holes in fitting ⑥ pre-assembled to pole ⑥).

Depress lock button, then insert pole ⑦ into pole ⑥, fully collapsing poles.

Repeat for opposite side.

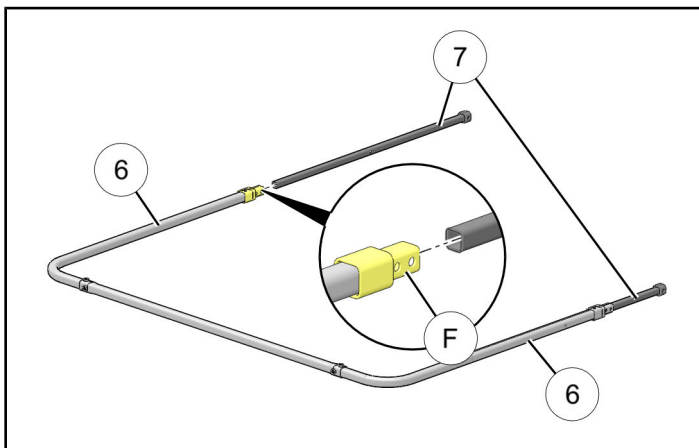
CAUTION

Follow all manufacturer's recommendations for lubricant use, including personal protective equipment.

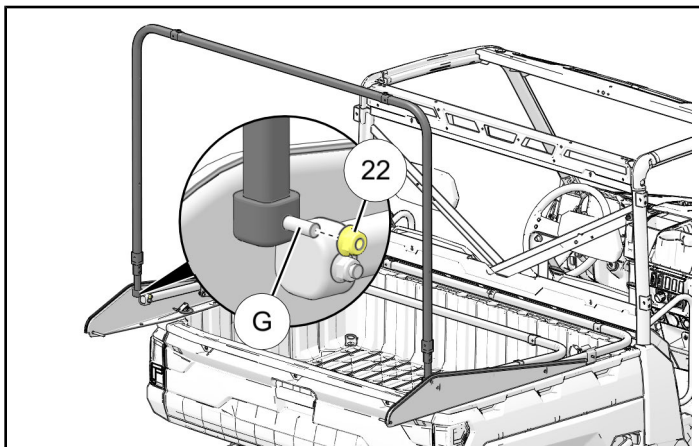
Failure to comply may result in personal injury.

TIP

Lubricate poles ⑦ with a lightweight oil to facilitate installation and adjustment.



- c. With pole assembly in upright orientation, loosely install one side of pole assembly to stud ⑥ on bracket, then install opposite side.

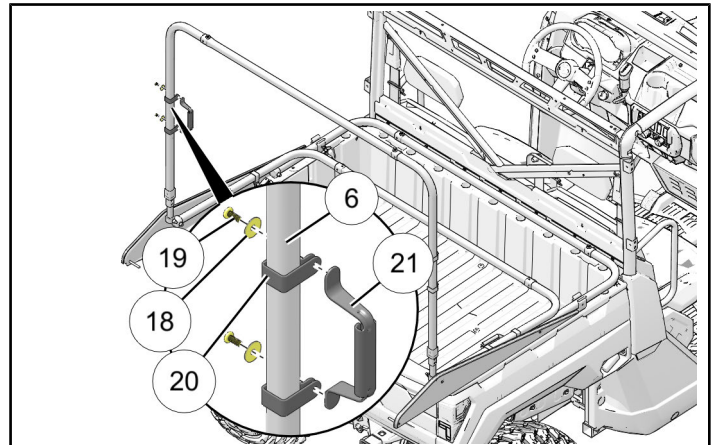


- d. Install nut ② to each stud ⑥, but do not overtighten. Pole assembly must be free to rotate on studs.

- e. Loosely install two brackets ⑳ and handle ㉑ to DOOR OVERHEAD ELBOW pole ⑥ using two each screws ⑲ and washers ⑱.

Using handle, pivot DOOR pole assembly down against previously installed CENTER pole assembly. Position handle to prevent interference between the two pole assemblies, then tighten handle fasteners.

Repeat handle installation on opposite side pole.



4. Assemble and install U-shaped BOTTOM pole assembly.

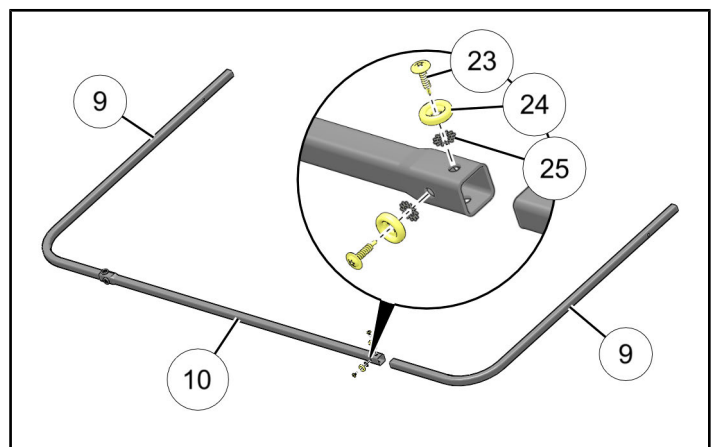
- a. Assemble two BOTTOM ELBOW poles ⑨ to BOTTOM MIDDLE STRAIGHT SECTION pole ⑩. Push poles together until fully seated, then secure using four each self-tapping screws ㉓, dome washers ㉔, and star washers ㉕.

IMPORTANT

Elbows do not have pre-drilled holes. Self-tapping screws will form their own holes. However, to avoid stripping holes, **HAND TIGHTEN SCREWS**.

TIP

Wrap joint fasteners with duct tape (or equivalent) to minimize loosening of screws during repeated use.



- b. Depress lock button, then slide BOTTOM DROP DOWN pole ⑧ over BOTTOM ELBOW pole ⑨, fully collapsing poles.

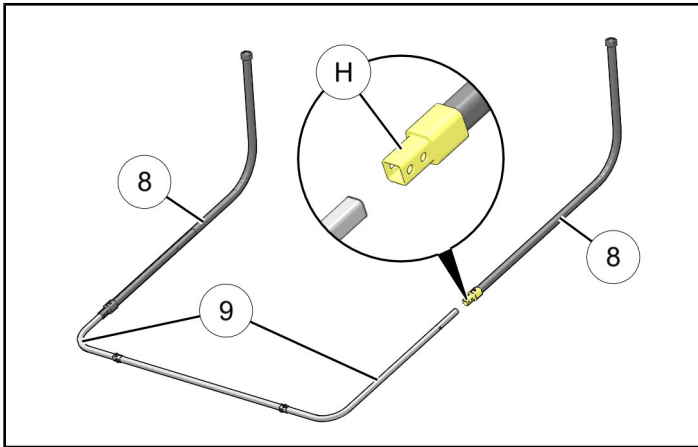
Repeat for opposite side.

CAUTION

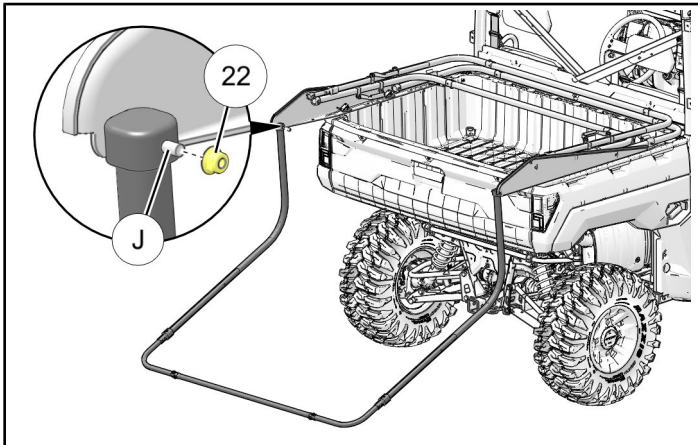
Follow all manufacturer's recommendations for lubricant use, including personal protective equipment.
Failure to comply may result in personal injury.

TIP

Lubricate poles ⑨ with a lightweight oil to facilitate installation and adjustment.



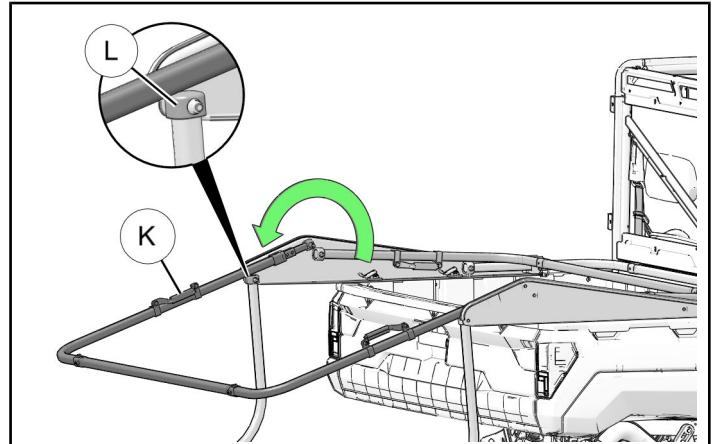
- c. Loosely install one side of pole assembly to stud ① on bracket, then install opposite side.



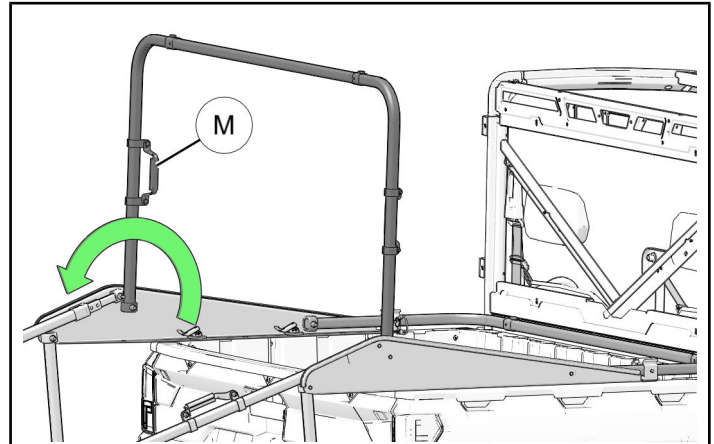
- d. Install nut ⑳ to each stud ①, but do not overtighten. Pole assembly must be free to rotate on studs.

- 5. Install centerline roof support pole assemblies.

- a. Using handles, pivot U-shaped door pole assembly ① towards rear of vehicle, gently resting on bottom pole end caps ②.



- b. Using handles, pivot U-shaped center pole assembly ③ to upright position.



- c. Loosen adjustment knob (N) on ADJUSTABLE ROOF SUPPORT pole (12), clip end hooks (P) to MIDDLE STRAIGHT SECTION poles (3), then retighten adjustment knob.

Ensure proper orientation: OPEN sides of end hooks should face DOWNWARD as shown.

- e. Loosen adjustment knob (N) on ADJUSTABLE ROOF SUPPORT pole (12), clip end hooks (P) to MIDDLE STRAIGHT SECTION poles (3), then retighten adjustment knob.

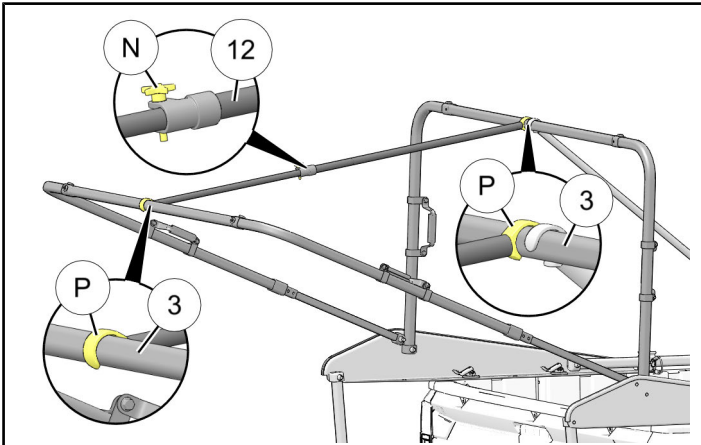
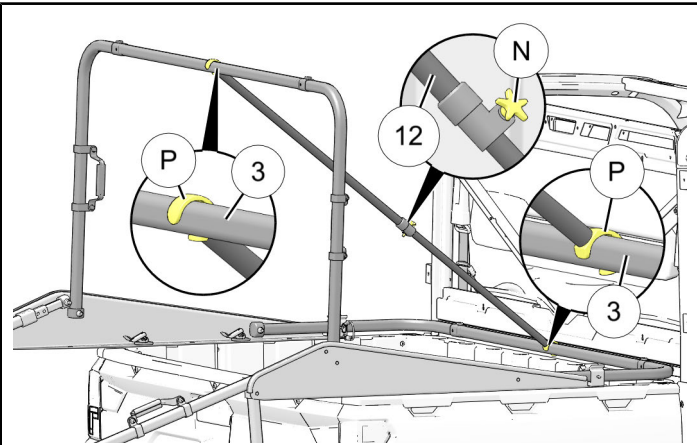
Ensure proper orientation: OPEN sides of end hooks should face DOWNWARD as shown.

NOTE

Length of adjustable roof support is not critical as long as center pole assembly is approximately upright as shown. Final adjustment will be made after shelter is installed.

NOTE

Length of adjustable roof support is not critical as long as door pole assembly is approximately as shown. Final adjustment will be made after shelter is installed.



- d. Extend U-shaped door pole assembly (Q) rearward until lock button engages FIRST hole (R) (shorter length) in tube connector (S). Ensure both sides are locked.

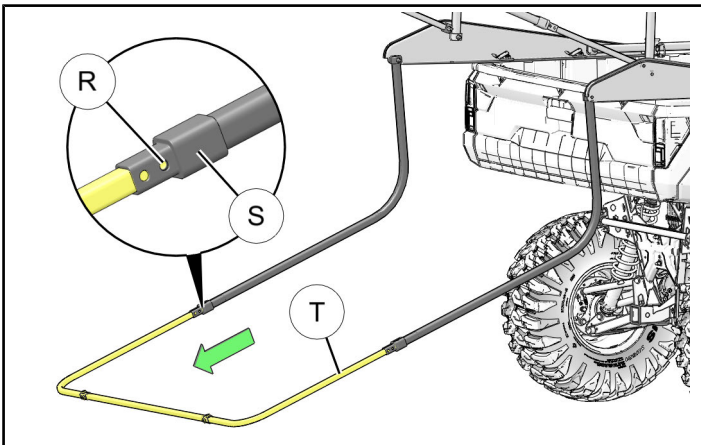
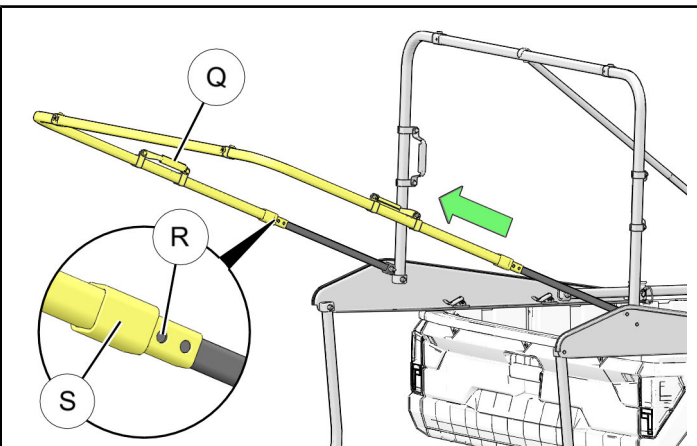
- 6. Install centerline door support pole assembly.
 - a. Extend U-shaped BOTTOM pole assembly (T) rearward until lock button engages FIRST hole (R) (shorter length) in tube connector (S). Ensure both sides are locked.

NOTE

Tube connector (S) has a second hole (longer length) which may be used after shelter installation to provide additional support.

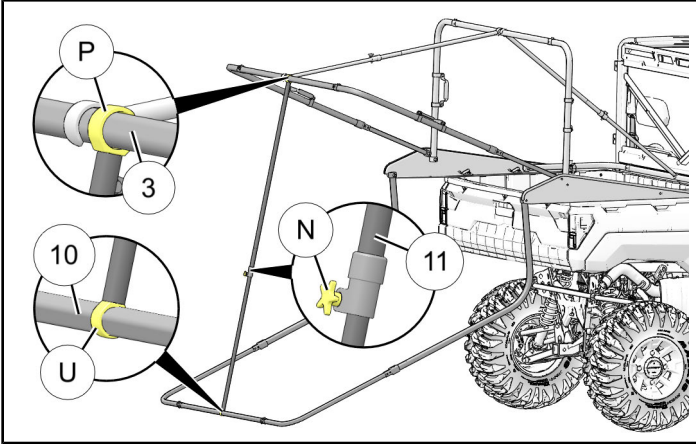
NOTE

Tube connector (S) has a second hole (longer length) which may be used after shelter installation to provide additional support.



- b. Loosen adjustment knob (N) on ADJUSTABLE ROOF SUPPORT pole (11), clip LARGE end hook (P) to MIDDLE STRAIGHT SECTION pole (3) and SMALL end hook (U) to BOTTOM MIDDLE STRAIGHT SECTION pole (10), then retighten adjustment knob.

Ensure proper orientation: OPEN sides of end hooks should face FORWARD as shown.

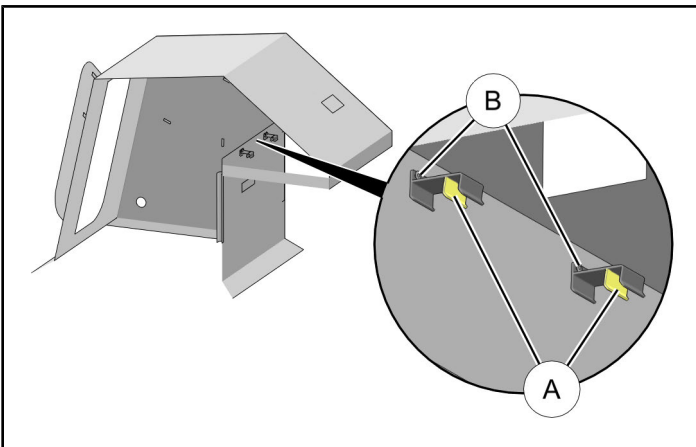


SHELTER AND CURTAIN SUPPORT POLE INSTALLATION

NOTE

Shelter RH wall hidden for clarity.

1. If installing shelter on **RANGER XP® 900** or **RANGER CREW® XP 900**, then proceed to next Step 2.
If installing shelter on **RANGER XP® 1000** or **RANGER CREW® XP 1000**, then cut off center leg (A) from each tailgate clamp (B).

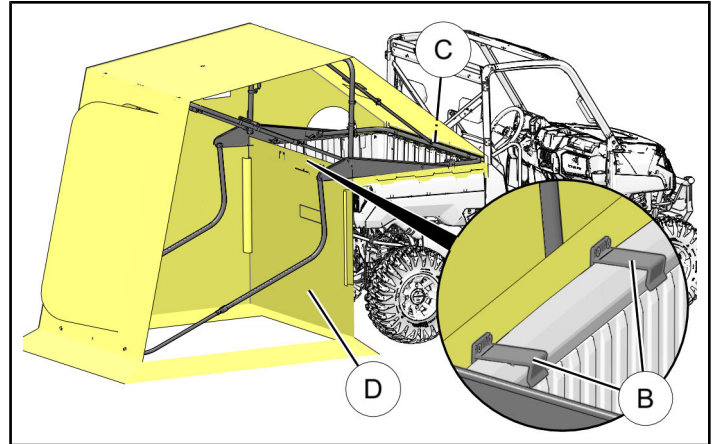


2. Install shelter (27).

TIP

Shorten pole lengths as required to facilitate installation of shelter.

- a. Lay shelter over frame assembly, then pull each side wall down on outside of U-shaped pole assemblies.



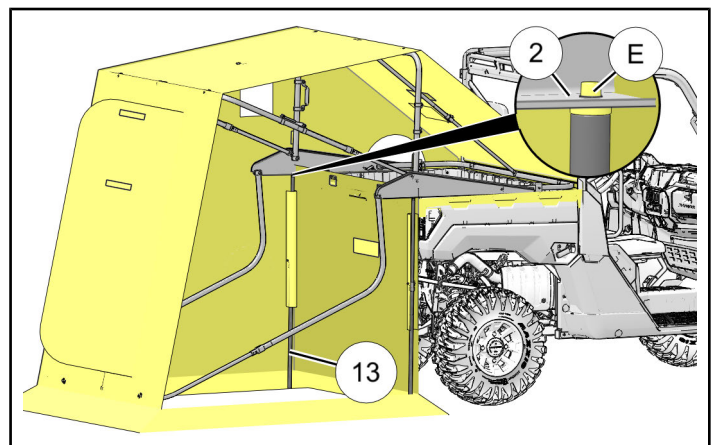
- b. Tuck flap (C) on front of shelter down between vehicle bed and ROPS cross-member, then secure front corners using hook and loop strips.
 - c. Pull forward curtain wall (D) across vehicle to opposite side. Secure curtain wall to tailgate using two clamps (B), and to shelter side wall using hook and loop strips.
3. With ADJUSTABLE CURTAIN SUPPORT pole (13) fully collapsed, and pin (E) oriented UP, insert pole downward into shelter corner sleeve.

Insert pin into corresponding hole in frame (2), extend pole to ground, then tighten adjustment knob.

Repeat for opposite side.

IMPORTANT

Ensure poles are vertical to keep shelter fabric away from exhaust components.

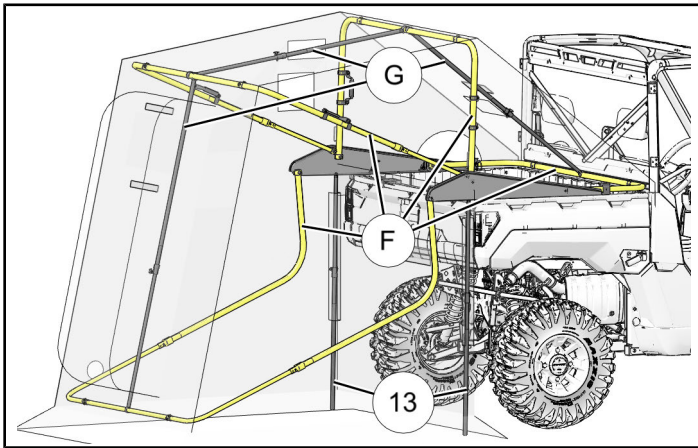


4. Adjust lengths and/or positions of all pole assemblies to achieve the following:
 - U-shaped pole assemblies ⑥ are located at intersections of shelter panels.
 - All poles are extended so that shelter fabric is snug, not sagging.

NOTE

U-shaped DOOR pole assembly and U-shaped BOTTOM pole assembly have a second adjustment hole to provide added length. See previous section, **POLE ASSEMBLY AND INSTALLATION**, Steps 5d and 6a, for detail.

- Adjustment knobs on three centerline pole assemblies ⑥ and two curtain support pole assemblies ⑬ are tight.



5. Secure shelter to U-shaped pole assemblies using hook and loop strips.

PREPARING SHELTER FOR VEHICLE OPERATION OR TRANSPORT

⚠ WARNING

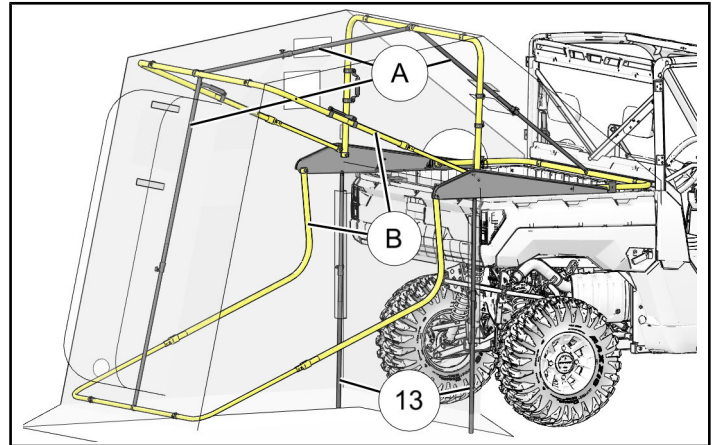
Shelter must be **FULLY COLLAPSED**, **SECURED** with tie-down strap, and **COVERED** prior to vehicle operation.

If transporting vehicle in non-enclosed trailer then vehicle must **FACE FORWARD**, and shelter must be **FULLY COLLAPSED**, **SECURED**, and **COVERED**. Otherwise, shelter must be removed.

Failure to comply may allow airflow, vibration, or other factors to separate shelter from vehicle and cause an accident, resulting in serious personal injury or death.

1. Close all doors and windows.
2. Loosen, collapse, and remove two curtain support pole assemblies ⑬ and three centerline roof support pole assemblies ①.

Place pole assemblies in vehicle bed, securing as required to prevent movement or damage.



3. Depress lock buttons (LH and RH sides) on U-shaped DOOR and BOTTOM pole assemblies ②, then fully collapse pole frames.

CAUTION

Use handles ⑳ when pivoting pole assemblies ② into vehicle bed. Handles will keep fingers away from hinge joint and prevent injury.

4. Pivot shelter and U-shaped pole assemblies forward into vehicle bed, neatly tucking and folding shelter as required.

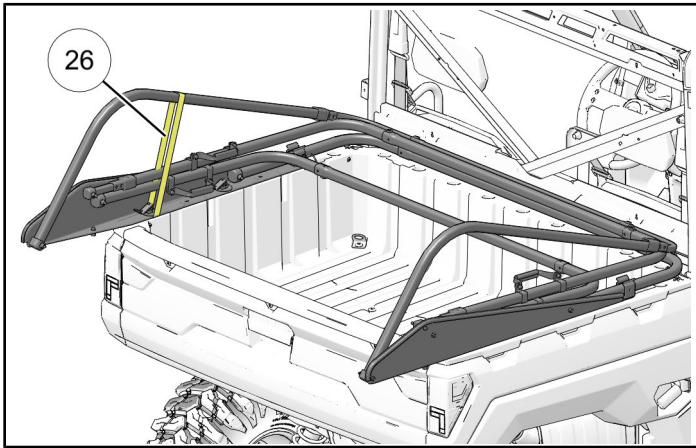
Ensure the following:

- a. If shelter is frozen to the ice, do not forcibly pull it free. Fabric or seam damage may occur. Carefully chip ice away from affected area.
- b. Use care when stowing gear (and shelter poles) in vehicle bed **BELOW SHELTER**, especially items with hot or sharp edges. Use extra padding as required.
- c. Do not allow shelter fabric to be pinched between hinge brackets and frame poles. Use care when handling shelter windows. Rough handling, creasing, or crushing may damage windows, especially in very cold weather.
- d. Do not pack any gear **ON TOP OF SHELTER**.

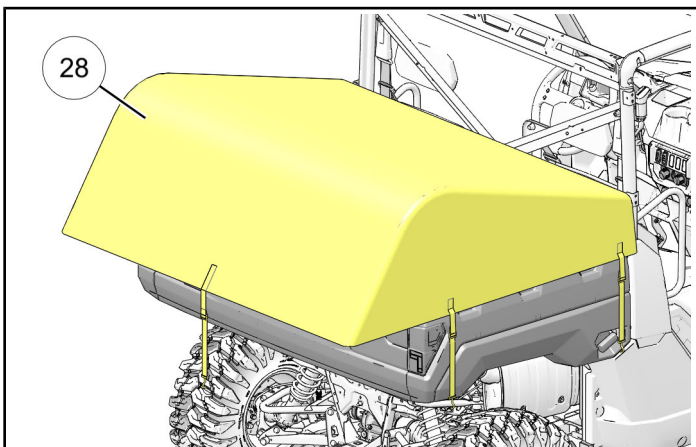
5. Secure U-shaped pole assemblies to left frame bracket using tie-down strap 26.

NOTE

Shelter hidden for clarity.



6. Install cover 28 over collapsed frame assembly, securing to vehicle using five pre-attached tie-down straps.



USE AND CARE

1. Safety labeling.

ALWAYS FOLLOW ALL SAFETY LABELING PROVIDED ON THIS PRODUCT!

In addition, observe the following:

⚠ DANGER

DO NOT OPERATE VEHICLE OR ENGINE WITH SHELTER DEPLOYED.

Vehicle operation could result in injury or property damage.

Engine operation may allow carbon monoxide (CO) to accumulate in shelter.

Carbon monoxide is a a poison you cannot see or smell. Carbon monoxide can kill you in minutes.

If you feel unwell, exit the shelter immediately.

⚠ DANGER

Fuel-burning equipment (such as heaters, stoves, and lanterns) produce carbon monoxide.

Carbon monoxide is a a poison you cannot see or smell. Carbon monoxide can kill you in minutes.

ALWAYS follow ALL manufacturer's instructions for proper equipment use, including equipment location and ventilation.

If you feel unwell, exit the shelter immediately.

CAUTION

Ensure vehicle exhaust components are cool before deploying shelter.

Do not allow shelter fabric to come in contact with hot equipment or hot air. Shelter fabric and/or fabric coatings may be damaged.

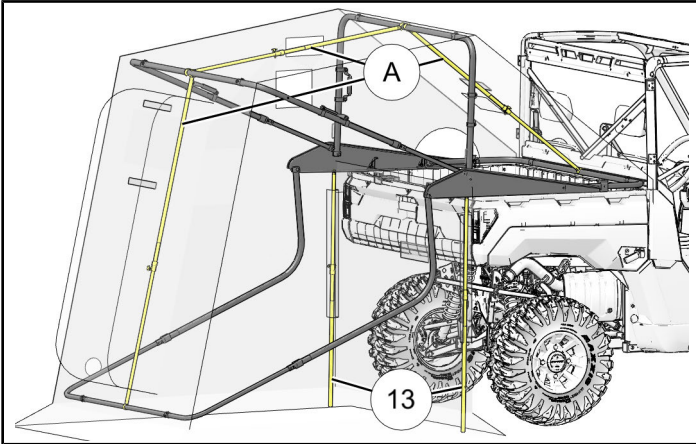
2. Gaining access to engine compartment.

CAUTION

To prevent pole damage:

- Do not attempt to raise vehicle bed with support pole assemblies installed.
- Ensure vehicle bed is fully lowered and latched before reinstalling support pole assemblies.

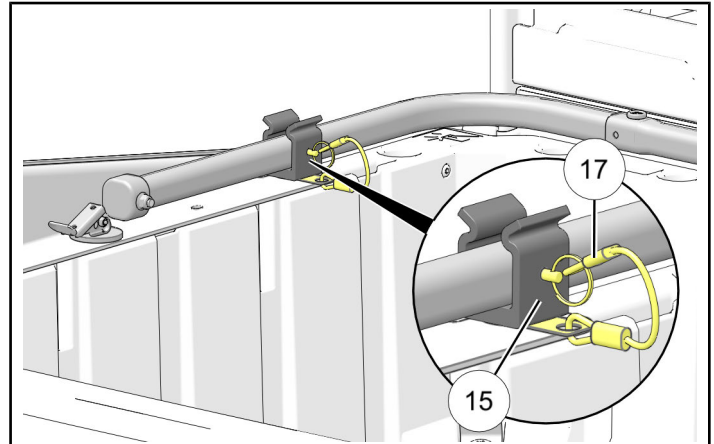
- a. Remove two curtain support pole assemblies ⑬ and three centerline roof support pole assemblies ①, then raise vehicle bed.



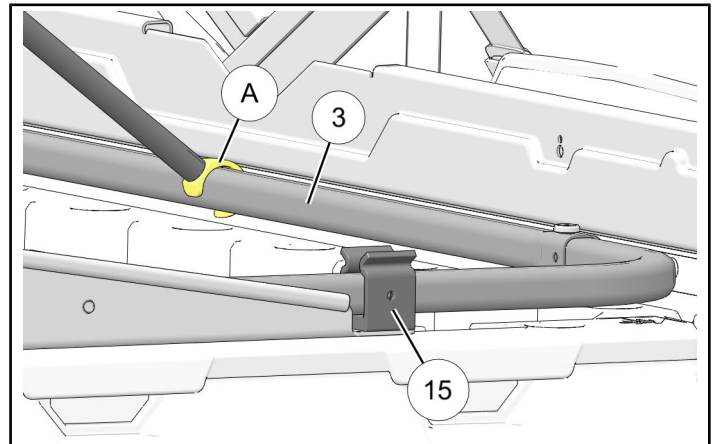
- b. Reverse procedure to restore access. Ensure bed is fully lowered and latched.

3. Gaining access to vehicle bed (from outside shelter).

- a. Unzip LH shelter side panel, reach through opening and pull pin ⑰ out of tube holder ⑮.



- b. Detach end hook ① from MIDDLE STRAIGHT SECTION pole ③.



- c. Pivot U-shaped pole assembly up and out of LH and RH tube holders ⑮.

- d. Reverse procedure to restore access.

4. Ensure shelter fabric is thoroughly dry before packing. Open and air dry as required after use.

5. Clean shelter fabric with warm water and mild detergent.

FEEDBACK FORM

A feedback form has been created for the installer to provide any comments, questions or concerns about the installation instructions. The form is viewable on mobile devices by scanning the QR code or by clicking [HERE](#) if viewing on a PC.

FEEDBACK FORM

