

# HALF DOOR KIT



**P/N 2883965**

## APPLICATION

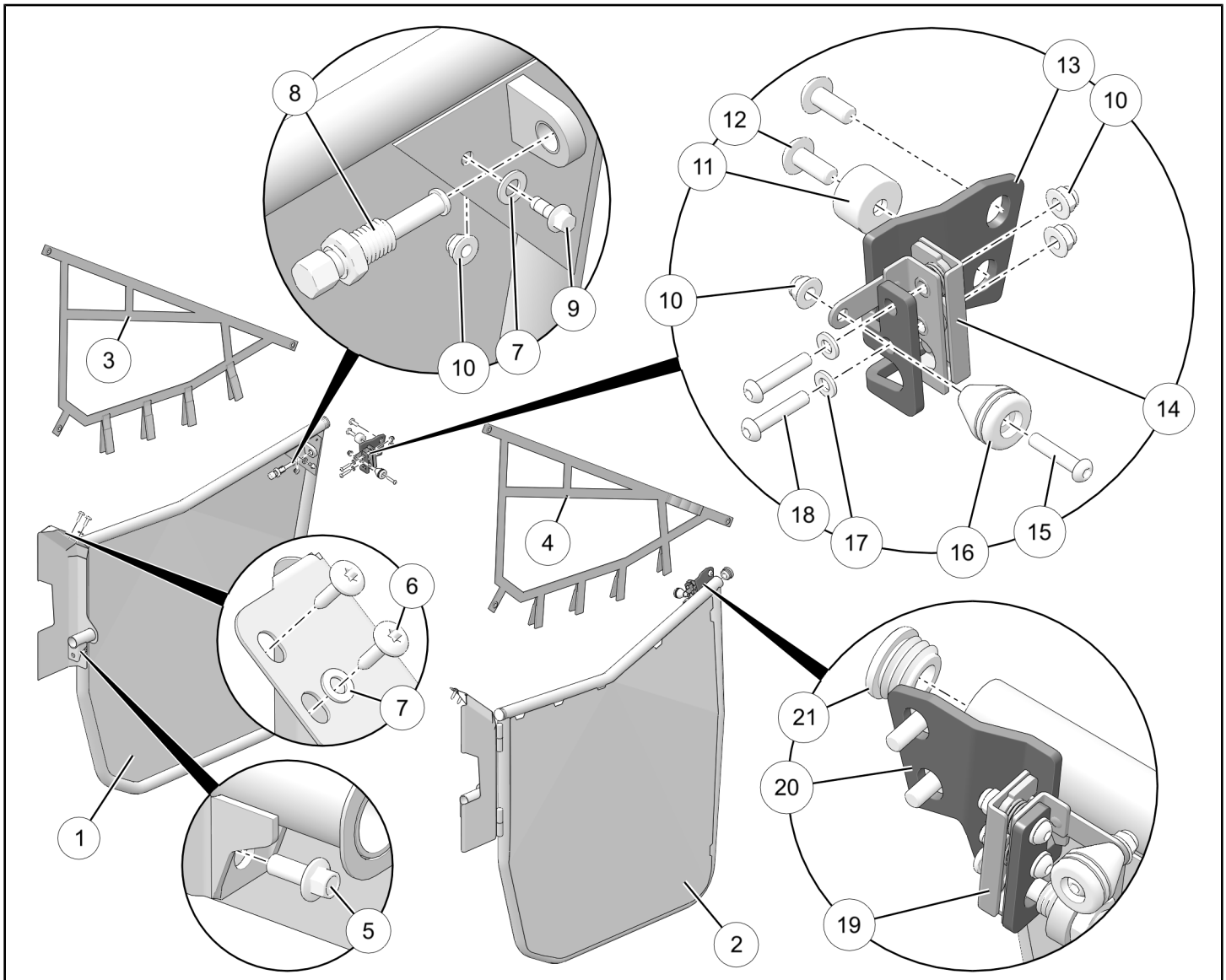
Verify accessory fitment at [Polaris.com](http://Polaris.com).

## BEFORE YOU BEGIN

Read these instructions and check to be sure all parts and tools are accounted for. Please retain these installation instructions for future reference and parts ordering information.

## KIT CONTENTS

This Kit includes:



REF	QTY	PART DESCRIPTION	PART NUMBER	INCLUDED IN SERVICE KIT
1	1	Door Assembly, LH (includes hinge weldment)	-	2205511
2	1	Door Assembly, RH (includes hinge weldment)	-	2205512

REF	QTY	PART DESCRIPTION	PART NUMBER	INCLUDED IN SERVICE KIT
3	1	Net, LH	-	2205507
4	1	Net, RH	-	2205507
5	2	Screw, Hex Flange - M8 X 1.25 X 20	7517838	2205513
6	4	Screw, Torx® Truss Head - M6 X 1.0 X 25	7519650	2205513
7	4	Washer - 8.4 X 15.7 X 1.5	7556557	2205513
8	2	Striker Pin (includes jam nut)	-	2205508, 2205513
9	2	Screw, Hex Flange - M6 X 1.0 X 16	7516820	2205513
10	8	Nut, Hex Flange, Locking - M6 X 1.0	7547487	2205508 (qty: 6), 2205513 (qty: 8)
11	2	Bumper - 0.25 ID X 1.0 OD X 0.625	-	2205509, 2205513
12	4	Screw, Torx® Truss Head - M8 X 1.25 X 20	7519260	2205510, 2205513
13	1	Bracket, Latch, LH	-	2205510, 2205513
14	1	Latch Assembly, LH	-	2205508, 2205513
15	2	Screw, Hex Socket Button Head - M6 X 1.0 X 35	7519253	2205508, 2205513
16	2	Knob	-	2205508, 2205513
17	4	Washer - 6.4 X 12.0 X 1.6	7556088	2205508, 2205513
18	4	Screw, Hex Socket Button Head - M6 X 1.0 X 30	7517885	2205508
19	1	Latch Assembly, RH	-	2205508, 2205513
20	1	Bracket, Latch, RH	-	2205510, 2205513
21	4	Plug, Ribbed - 1.25 dia	5450305	-
	1	Instructions	9925030	-

## TOOLS REQUIRED

- Safety Glasses
- Screwdriver Set, Torx®
- Socket Set, Hex Bit, Metric
- Socket Set, Metric
- Socket Set, Torx® Bit
- Torque Wrench
- Wrench Set, Metric

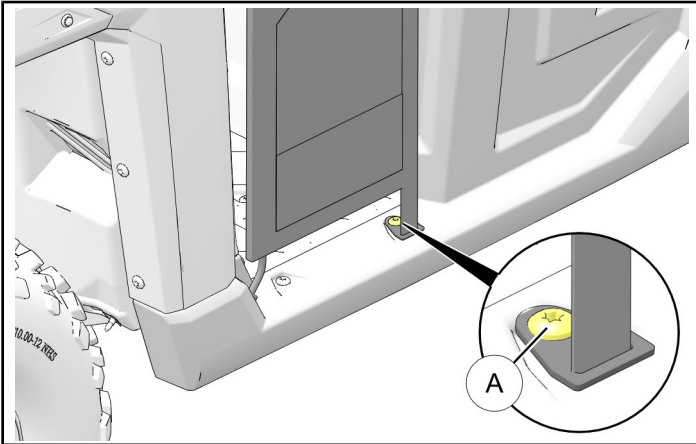
## IMPORTANT

Your Half Door Kit is exclusively designed for your vehicle. Please read the installation instructions thoroughly before beginning. Installation is easier if the vehicle is clean and free of debris. For your safety, and to ensure a satisfactory installation, perform all installation steps correctly in the sequence shown.

# INSTALLATION INSTRUCTIONS

## REMOVE NETS

1. Shift vehicle transmission into "PARK". Turn ignition switch to "OFF" position and remove key.
2. Remove driver and passenger seat bottoms.
3. Remove screw (A), detach lower net bracket, then reinstall screw.



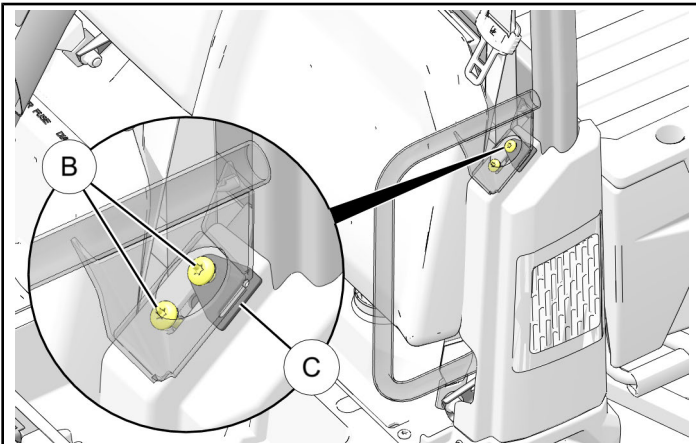
4. Remove upper-mid net bracket. Specific net bracket location dependent on whether vehicle is equipped with fixed or sliding seat.

- **FIXED SEAT**

Remove two screws (B), then remove bolster bar (along with net bracket). Bolster bar and screws are not reused.

### NOTE

Bolster bar shown partially transparent for clarity.



- **SLIDING SEAT**

Remove two screws (B), one of which secures net bracket (approximate location shown in previous image). Screws are not reused.

### NOTE

Bolster bar is mounted to seat and remains installed. Net bracket is mounted to chassis and is removed.

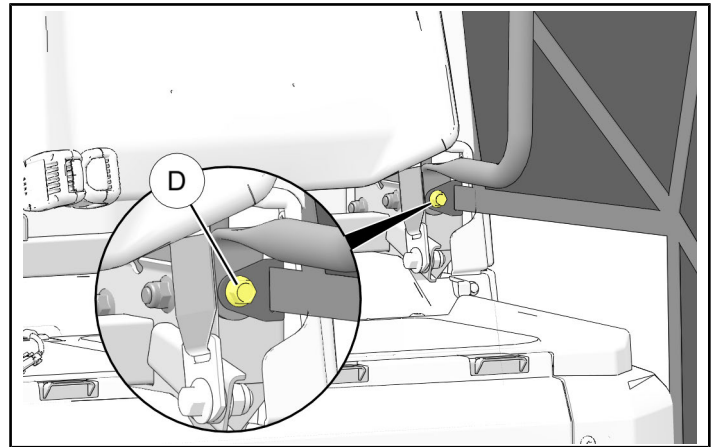
5. Remove lower-mid net bracket. Specific net bracket location dependent on whether vehicle is equipped with fixed or sliding seat, and configuration of bolster bar.

- **FIXED SEAT**

Remove screw (D), then remove bolster bar (along with net bracket). Bolster bar and screw are not reused.

### NOTE

In some bolster bar configurations net bracket is mounted to chassis using same fastener as bolster bar, and in other configurations net bracket is mounted independently to bolster bar. Regardless of configuration, removal of bolster bar also removes net bracket.



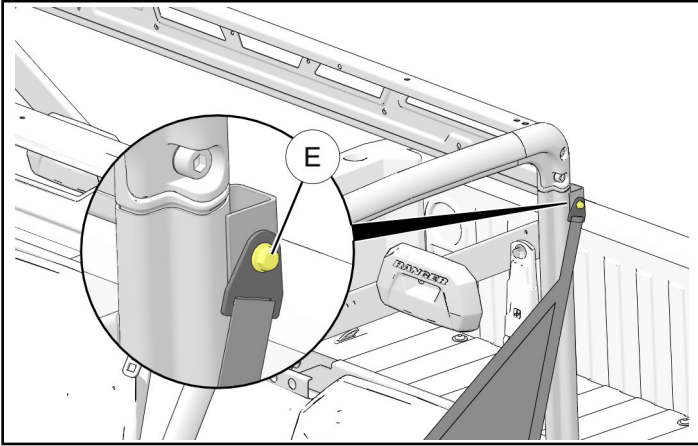
- **SLIDING SEAT**

Remove screw securing net bracket (approximate location shown in previous image). Screw is not reused.

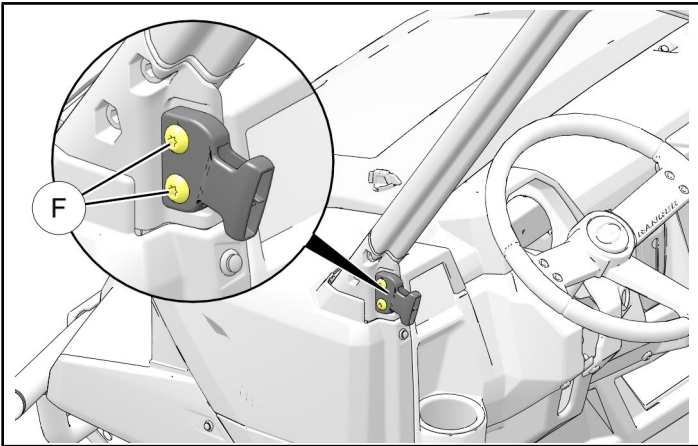
### NOTE

Bolster bar is mounted to seat and remains installed. Net bracket is mounted to chassis and is removed.

- Remove screw (E), then detach upper net bracket and set net aside. Retain screw. Net will not be reused.



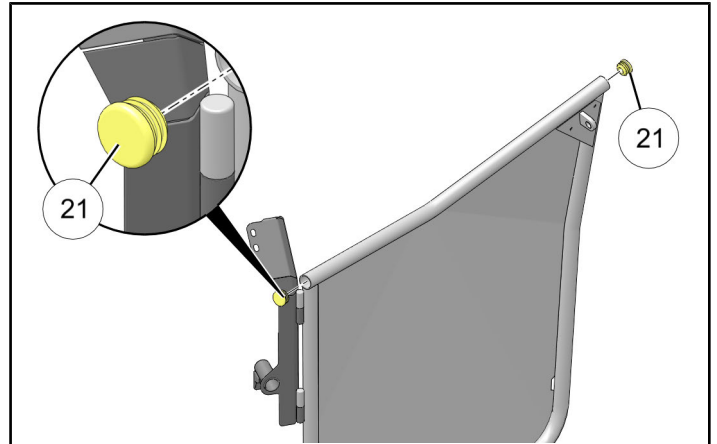
- Remove two screws (F), then remove net buckle. Buckle and screws will not be reused.



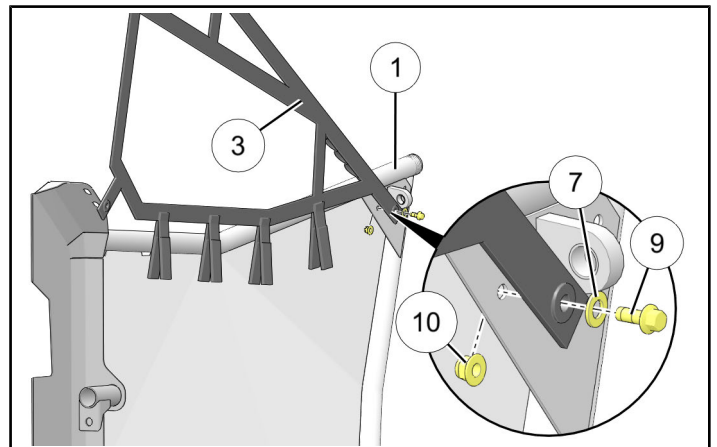
- Repeat Steps 3–7 for RH side of vehicle.

## INSTALL HALF DOORS

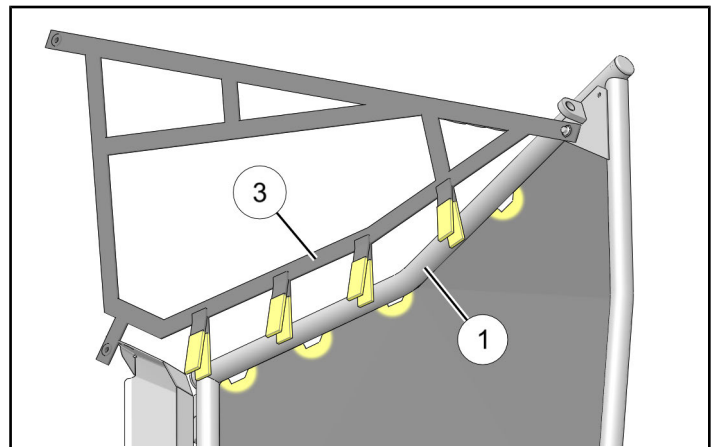
- Install two plugs (21), one at each end of upper door tube.



- Loosely install front corner of LH net (3) to gusset plate in LH door (1) using HEX FLANGE screw (9), washer (7), and nut (10).



- Attach four hook and loop straps on LH net (3) to LH door (1).

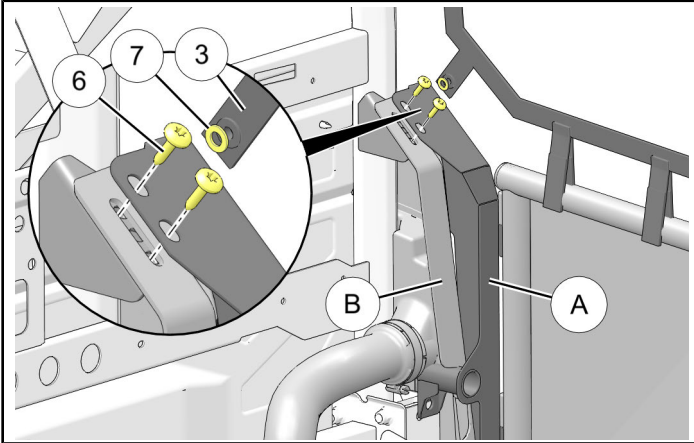


- Lift LH door ① into position so hinge weldment ④ is on outside of B-pillar cover ⑤ as shown.

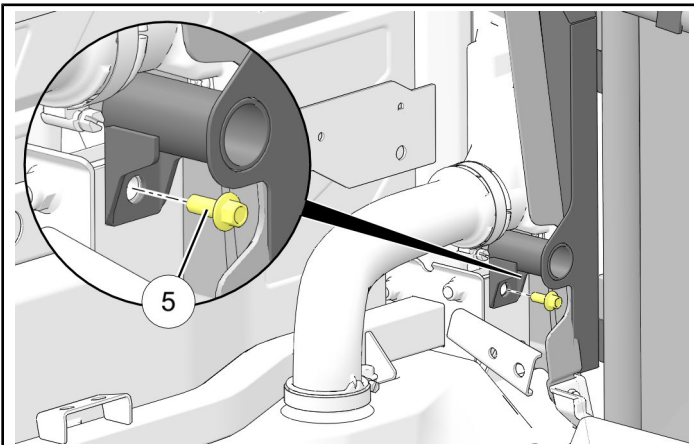
Loosely install upper end of hinge weldment to chassis using two TORX® screws ⑥, one of which should also secure lower rear corner of LH net ③ using washer ⑦.

#### NOTE

Use whichever screw provides adequate net support without excessive tension.



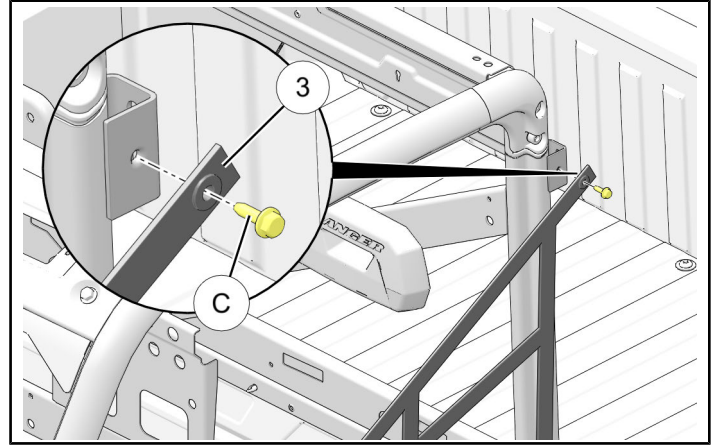
- Loosely install lower end of hinge weldment ④ to chassis using HEX FLANGE screw ⑧.



- Secure upper rear corner of LH net ③ using retained screw ⑨. Torque screw to specification.

#### TORQUE

6 ft. lbs. (8 Nm) ± 10%



- Push door inwards while centering door in ROPS/chassis opening. Hold door in place, then observe gap between door assembly ① and ROPS/chassis (around entire perimeter of door).

Adjust as required so door is centered, then torque screws ⑧ and ⑥ to specification.

#### TORQUE

M6 screws ⑥: 6 ft. lbs. (8 Nm) ± 10%  
M8 screw ⑧: 10 ft. lbs. (14 Nm) ± 10%

#### TIP

Have one person hold and center the door, and a second person tighten the screws.

- Slowly open door and re-check strap tension throughout full range of travel. See previous Step 4.

Move strap to alternate screw ⑥ if required to avoid excessive tension, then re-torque both screws to specification.

#### TORQUE

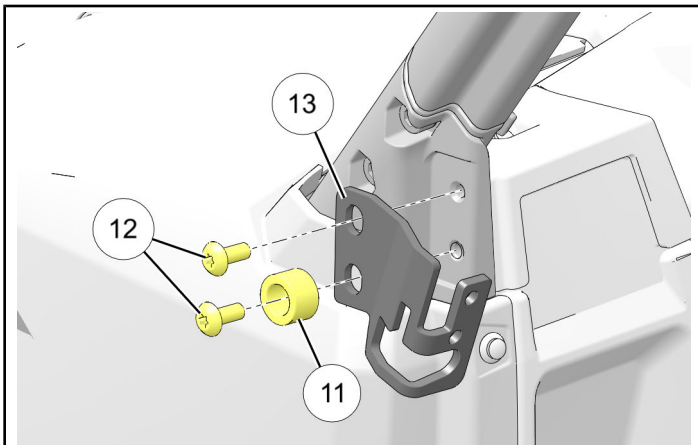
6 ft. lbs. (8 Nm) ± 10%

- Tighten front corner net screw ⑩. See previous Step 2.

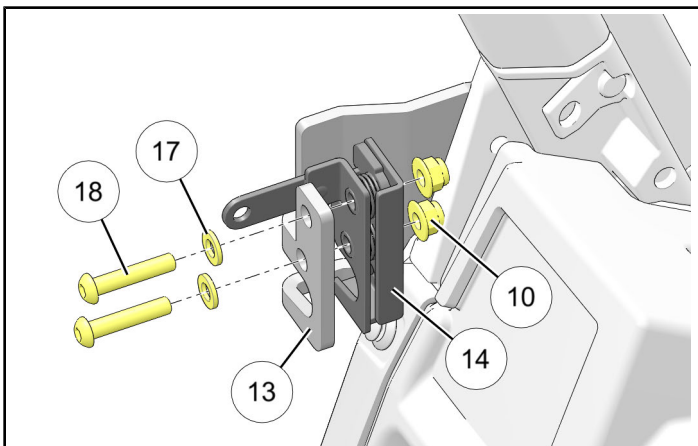


10. Install LH latch bracket ⑬ to A-pillar coupler using two TORX® screws ⑫, including bumper ⑪ on lower screw.

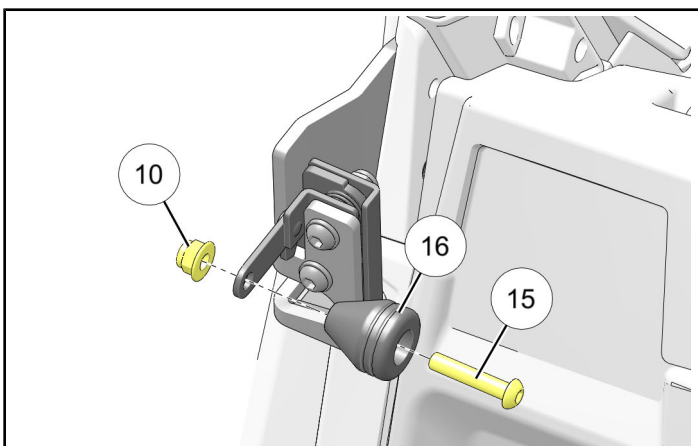
Center slots in bracket over holes in coupler, then partially tighten screws. Do not torque screws to specification at this time.



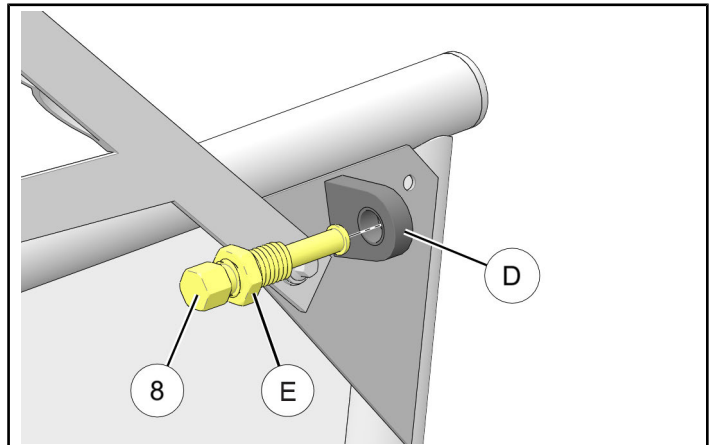
11. Install LH latch assembly ⑭ to LH latch bracket ⑬ using two each 30 mm long socket head screws ⑱, washers ⑰, and nuts ⑩. Tighten nuts.



12. Install knob ⑯ to latch lever using 35 mm long socket head screw ⑮ and nut ⑩. Tighten nut.



13. Install striker pin ⑧ into door mounting ear ④. Do not tighten jam nut ⑤ at this time.



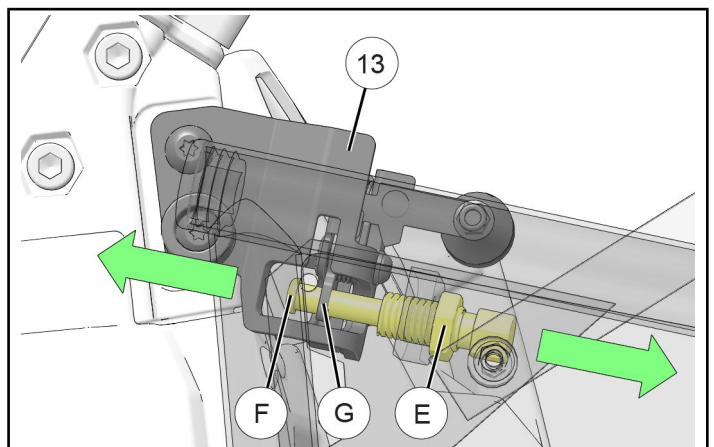
14. Slowly close door and observe engagement of striker pin ⑧ into latch assembly.

Adjust striker pin and/or latch bracket ⑬ to achieve the following:

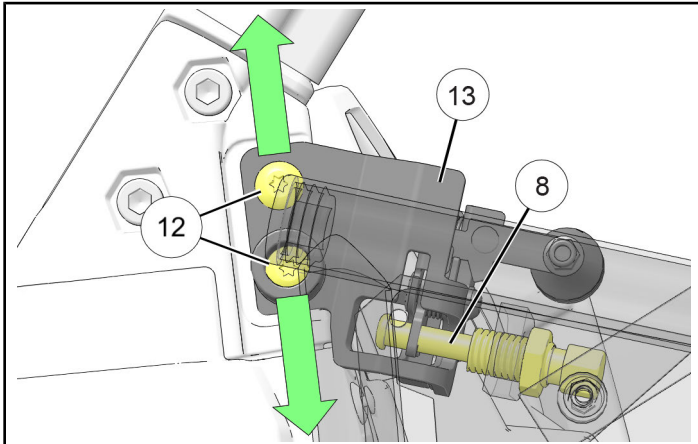
#### NOTE

Door shown partially transparent for clarity.

- a. **EXTENSION:** Head of pin ⑥ should extend forward of latch pawl ⑦ as shown. Adjust pin as required, then tighten jam nut ⑤.



- b. **HEIGHT:** Pin ⑧ should be centered vertically in opening of latch bracket ⑬. To adjust, loosen two screws ⑫, slide bracket up or down as required, then retighten screws.



15. Torque screws ⑫ to specification.

TORQUE
8 ft. lbs. (11 Nm) ± 10%

16. Repeat Steps 1–15 for RH door assembly ② using RH net ④, RH latch bracket ⑳, and RH latch assembly ⑲.

17. Reinstall seat bottoms.

## FEEDBACK FORM

A feedback form has been created for the installer to provide any comments, questions or concerns about the installation instructions. The form is viewable on mobile devices by scanning the QR code or by clicking [HERE](#) if viewing on a PC.

