

SNOW DEFLECTOR KIT



P/N 2884160

BEFORE YOU BEGIN

Read these instructions and check to be sure all parts and tools are accounted for. Please retain these installation instructions for future reference and parts ordering information.

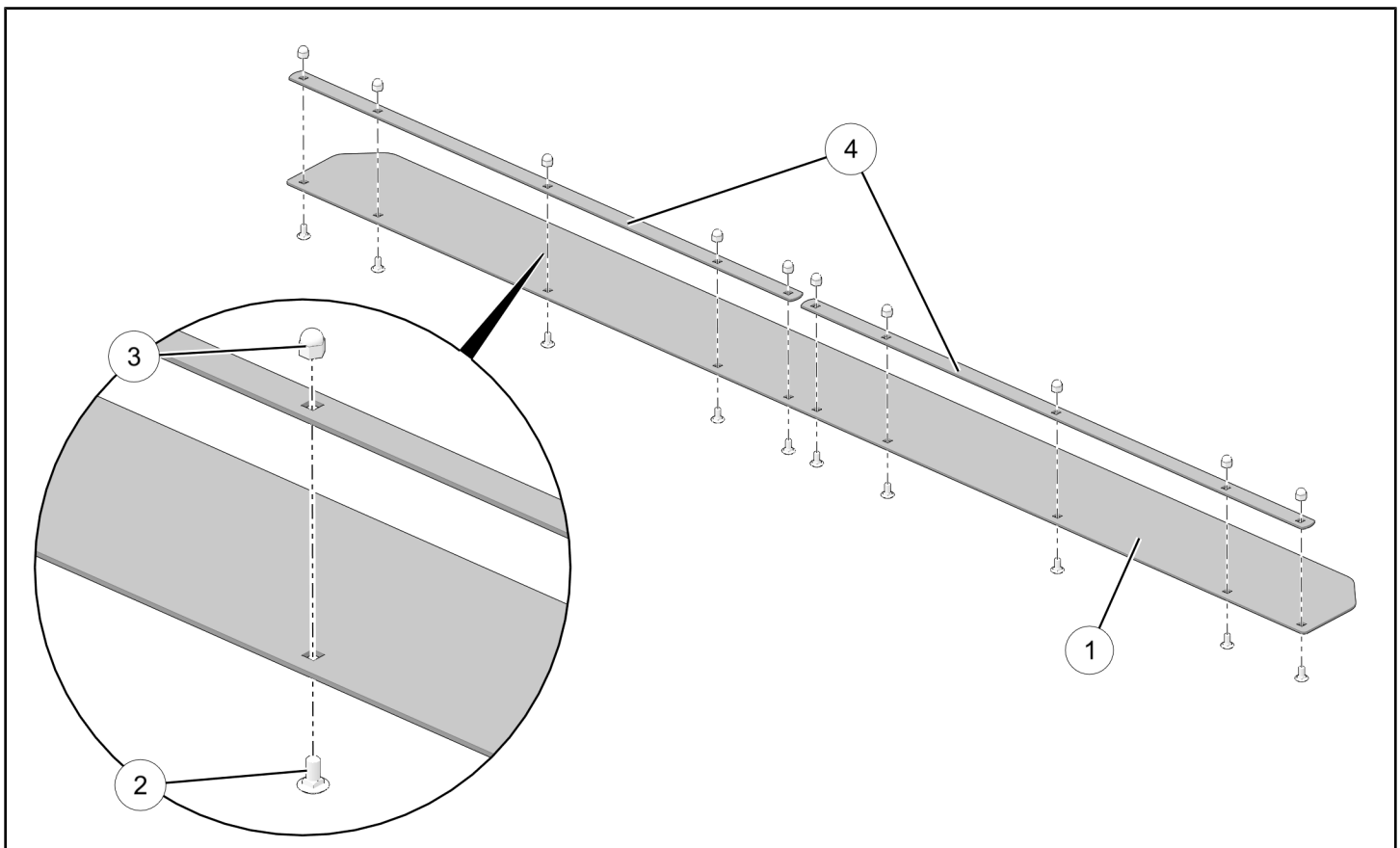
REQUIRED, SOLD SEPARATELY

This kit only contains parts for installation of the Snow Deflector Kit. Prior installation of one of the following additional kits is also required (sold separately):

- 72 inch Poly Blade, PN 2879317 or equivalent
- 72 inch Steel Blade, PN 2879874, 2880270, or equivalent

KIT CONTENTS

This Kit includes:



REF	QTY	PART DESCRIPTION	PART NUMBER
1	1	Snow Deflector	-
2	10	Bolt, Carriage - M8 X 1.25 X 25	-
3	10	Nut, Acorn - M8 X 1.25	7547184
4	2	Backing Strips - 905.5 X 25.4 X 3.175	-

TOOLS REQUIRED

- Safety Glasses
- Socket Set, Metric

IMPORTANT

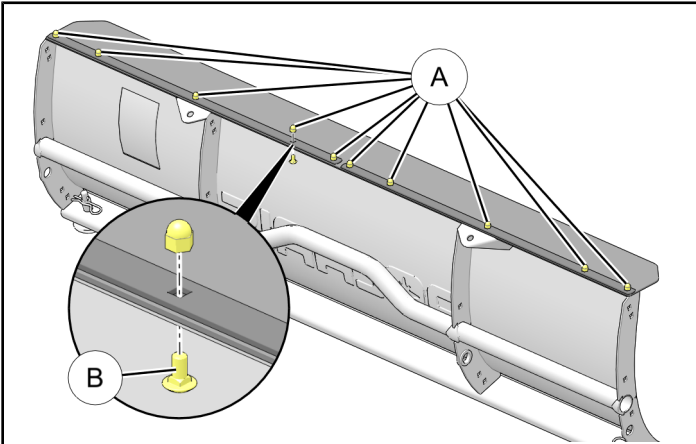
Your Snow Deflector Kit is exclusively designed for your vehicle. Please read the installation instructions thoroughly before beginning. Installation is easier if the vehicle is clean and free of debris. For your safety, and to ensure a satisfactory installation, perform all installation steps correctly in the sequence shown.

INSTALLATION INSTRUCTIONS

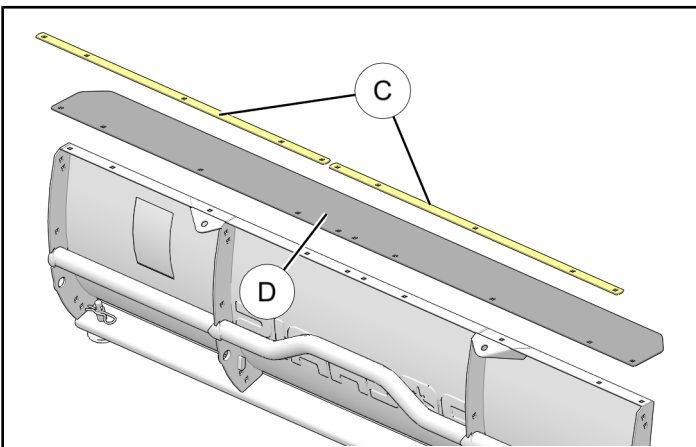
CAUTION

Ensure blade is resting firmly on ground prior to installation. If blade falls, personal injury may result.

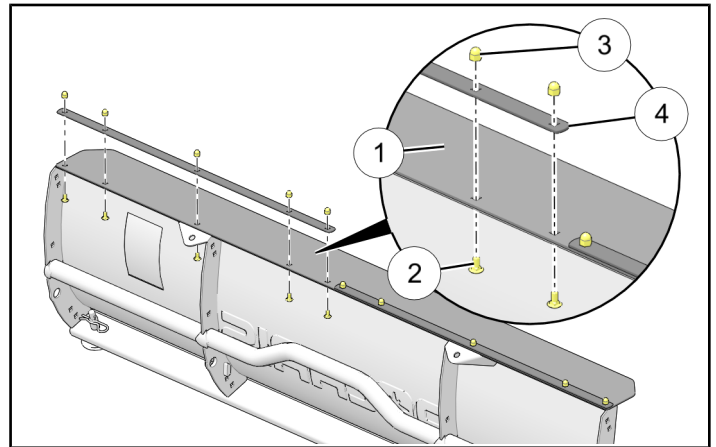
1. Shift vehicle transmission into "PARK". Turn ignition switch to "OFF" position and remove key.
2. If replacing existing snow deflector, then perform the following. Otherwise, proceed to Step 3.
 - a. Remove ten each acorn nuts **A** and carriage bolts **B**. Hardware will not be reused.



- b. Remove two backing strips **C** and existing snow deflector **D**. Strips and deflector will not be reused.



3. Loosely install snow deflector **1** and two backing strips **4** to blade using ten each carriage bolts **2** and acorn nuts **3**. Tighten nuts.



FEEDBACK FORM

A feedback form has been created for the installer to provide any comments, questions or concerns about the installation instructions. The form is viewable on mobile devices by scanning the QR code or by clicking [HERE](#) if viewing on a PC.

