

LIFT LINK AND KICKSTAND RELEASE UPDATE KIT

P/N 2207382



APPLICATION

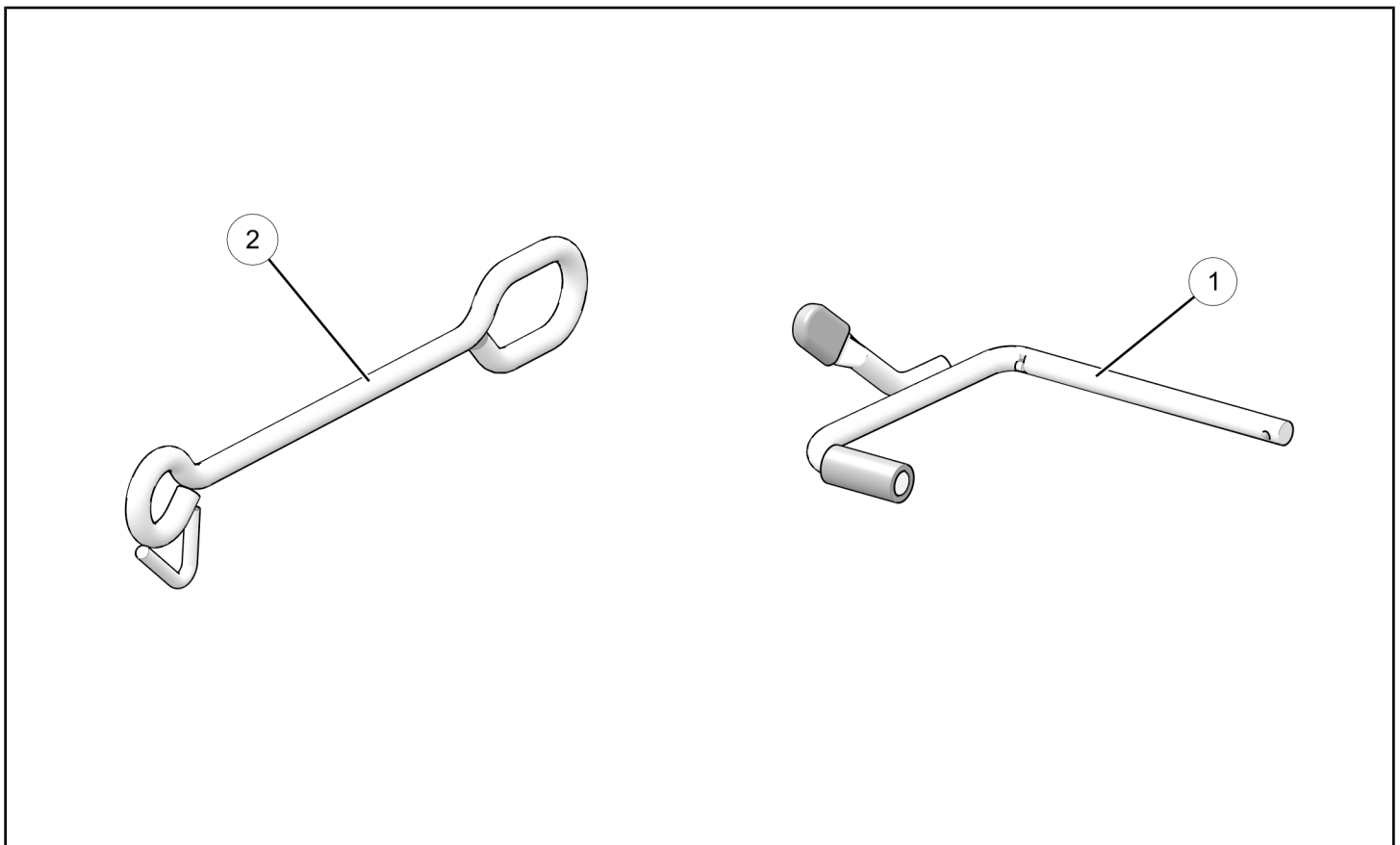
Verify accessory fitment at Polaris.com.

BEFORE YOU BEGIN

Read these instructions and check to be sure all parts and tools are accounted for. Please retain these installation instructions for future reference and parts ordering information.

KIT CONTENTS

This Kit includes:



REF	QTY	PART DESCRIPTION	PART NUMBER
1	1	Kick Stand Rod	7515661
2	1	Lift Link Rod	7515232
	1	Instructions	9928550

TOOLS REQUIRED

- Safety Glasses
- Hammer
- Pin Punch
- Pliers, Slip Joint

IMPORTANT

Your Lift Link and Kickstand Release Update Kit is exclusively designed for your vehicle. Please read the installation instructions thoroughly before beginning. Installation is easier if the vehicle is clean and free of debris. For your safety, and to ensure a satisfactory installation, perform all installation steps correctly in the sequence shown.

ASSEMBLY TIME

Approximately 18 minutes

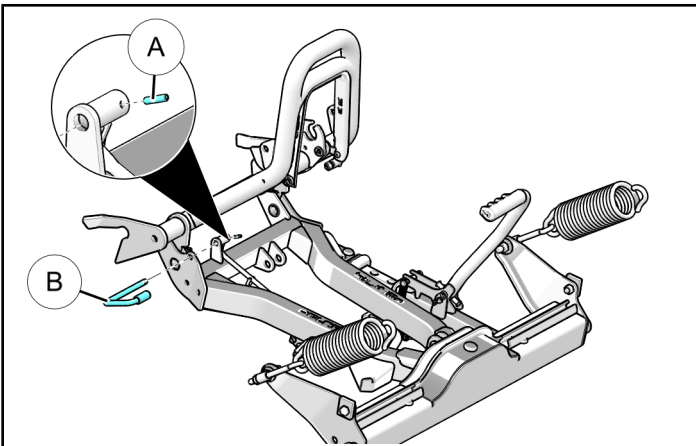
INSTALLATION INSTRUCTIONS

The parts in this kit are meant to update the 2881286 plow frame kit for better compatibility with the MY18 or later Ranger XP1000 **ONLY**. The kickstand release update will allow the kickstand to operate properly on the new front bumper/plow mount, and the new lift link will adjust the lift position of the plow for use with this new model.

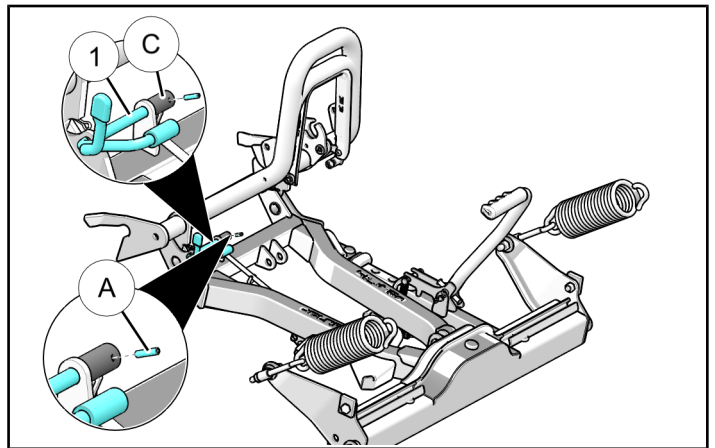
If you are using the 2881286 kit on other models, **DO NOT** install or use these parts.

If installing onto a plow frame that is attached to the vehicle shift vehicle transmission into "PARK". Turn key to "OFF" position and remove from vehicle.

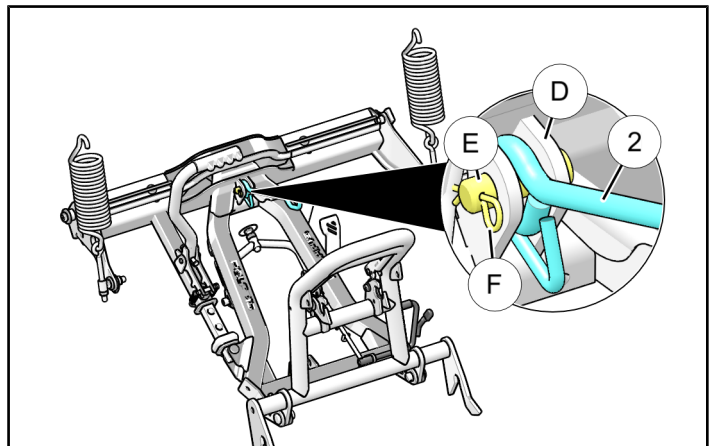
1. Remove pin **A** that secures the kick stand rod to the plow frame and slide existing kick stand rod **B** out as shown.



2. Insert new kick stand rod **1** into place and secure with pin **A** previously removed. You will need to align the holes in the kick stand rod and kick stand rod sleeve **C**.



3. Install the new lift link **2** between the winch (not shown) and the plow frame assembly **D** instead of the link originally included with kit 2881286 by placing into position as shown and securing with the winch link pin **E** and cotter pin **F** provided with kit 2881286.



4. Follow the instructions in kit 2881286 for remaining plow frame installation steps and to verify that the lift link and kickstand release are operating properly.
5. Check to ensure all tools are accounted for and all steps have been completed.

FEEDBACK FORM

A feedback form has been created for the installer to provide any comments, questions or concerns about the installation instructions. The form is viewable on mobile devices by scanning the QR code or by clicking [HERE](#) if viewing on a PC.

