

# PREMIUM ROOF KIT



**P/N 2882175**

## APPLICATION

Verify accessory fitment at [Polaris.com](http://Polaris.com).

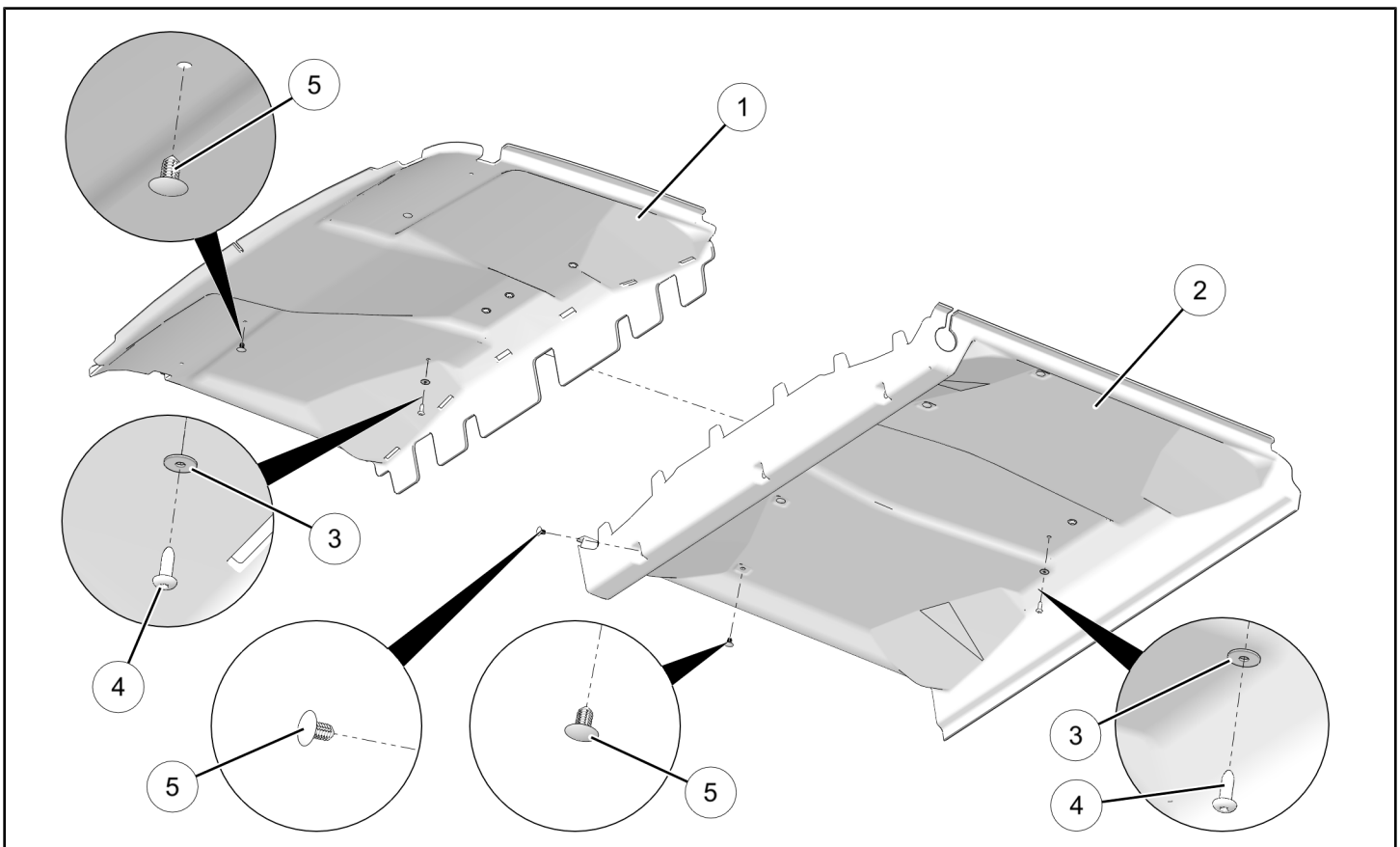
## BEFORE YOU BEGIN

Read these instructions and check to be sure all parts and tools are accounted for. Please retain these installation instructions for future reference and parts ordering information.

## KIT CONTENTS

This kit contains parts for installation of the roof headliner only. Prior installation of the Poly Sport Roof Kit, PN 2879642, 2882286, or equivalent, is also required (sold separately).

This Kit includes:



REF	QTY	PART DESCRIPTION	PART NUMBER
1	1	Headliner, Front	5814002
2	1	Headliner, Rear	5814003
3*	6	Washer - 0.20 X 0.67 X 0.048	7556034
4*	6	Screw, Torx® Truss Head, High/Low - #14 X 3/4	7519045
5*	9	Push Dart	7670088
	1	Instructions	9927338

Items marked (\*) are included in Hardware Kit PN 2206447.

## TOOLS REQUIRED

- Safety Glasses
- Screwdriver Set, Torx®

- Socket Set, Torx® Bit
- Torque Wrench

## IMPORTANT

Your Premium Roof Kit is exclusively designed for your vehicle. Please read the installation instructions thoroughly before beginning. Installation is easier if the vehicle is clean and free of debris. For your safety, and to ensure a satisfactory installation, perform all installation steps correctly in the sequence shown.

## ASSEMBLY TIME

Approximately 15 minutes

## INSTALLATION INSTRUCTIONS

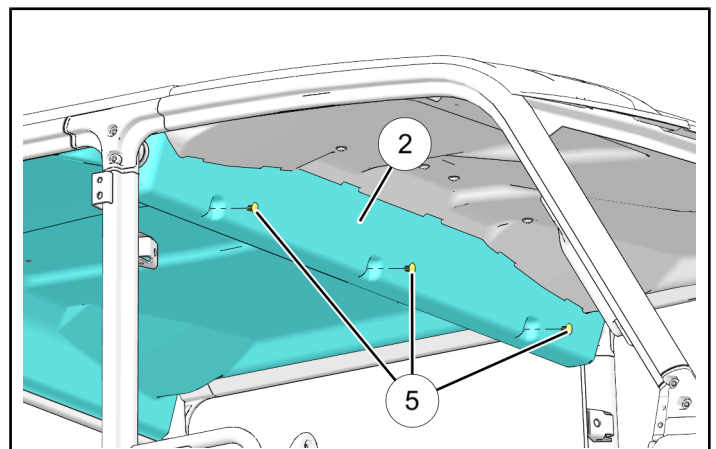
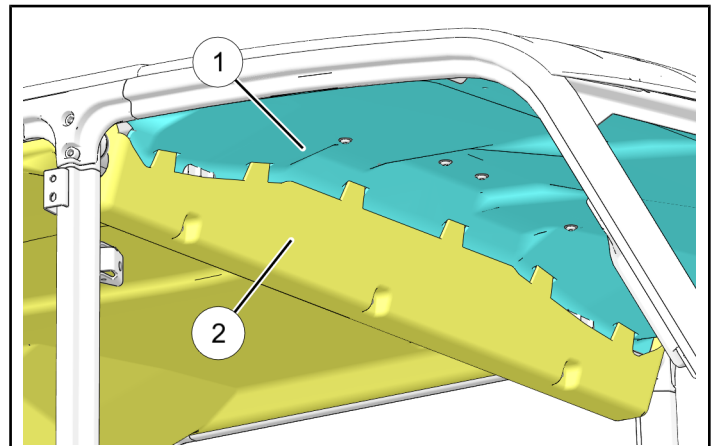
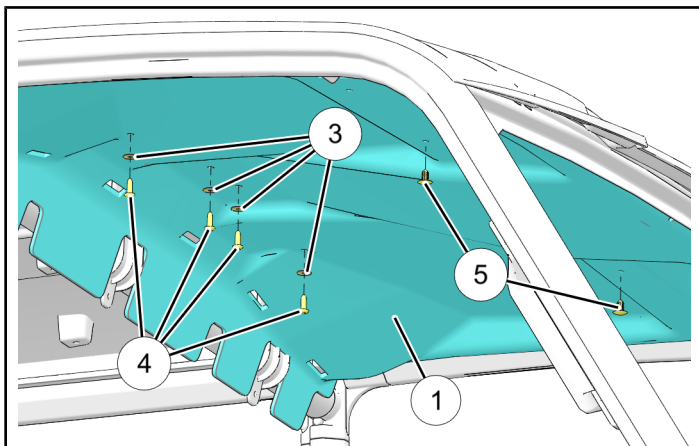
1. Shift vehicle transmission into "PARK". Turn key to "OFF" position and remove from vehicle.
2. OPTIONAL: Cut access openings for accessory mirror, interior light wiring, and/or speakers as required (sold separately).  
  
Ensure all accessory wiring is routed to openings and secured as required.
3. Install front headliner ① to roof panel using two push darts ⑤ and four each screws ④ and washers ③. Torque screws to specification.
4. Raise rear headliner ② into position, inserting tabs on front edge into corresponding slots on rear edge of front headliner ①. Secure to roof panel using three push darts ⑤.

### TORQUE

20-24 in-lbs. (2.3-2.7 Nm)

### NOTE

Two each screws and washers at vehicle centerline will not be used if optional interior lighting is installed. Use fasteners provided with light.



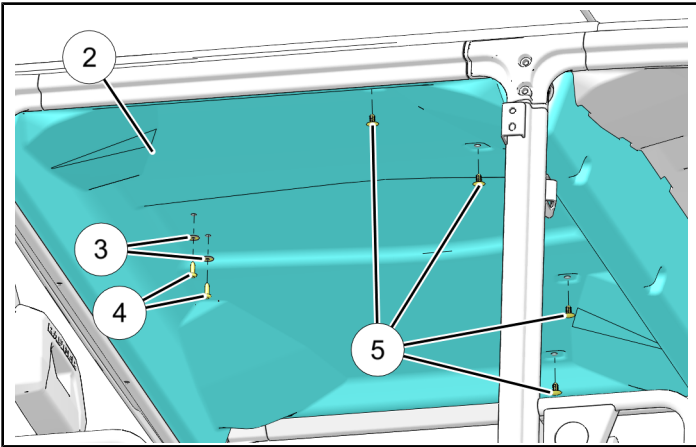
5. Install rear headliner ② to roof panel using four push darts ⑤ and two each screws ④ and washers ③. Torque screws to specification.

### TORQUE

20-24 in-lbs. (2.3-2.7 Nm)

### NOTE

Screws and washers will not be used if optional interior lighting is installed. Use fasteners provided with light.



### FEEDBACK FORM

A feedback form has been created for the installer to provide any comments, questions or concerns about the installation instructions. The form is viewable on mobile devices by scanning the QR code or by clicking [HERE](#) if viewing on a PC.

### FEEDBACK FORM

