

ROOF LINER KIT



P/N 2883457, 2884417

APPLICATION

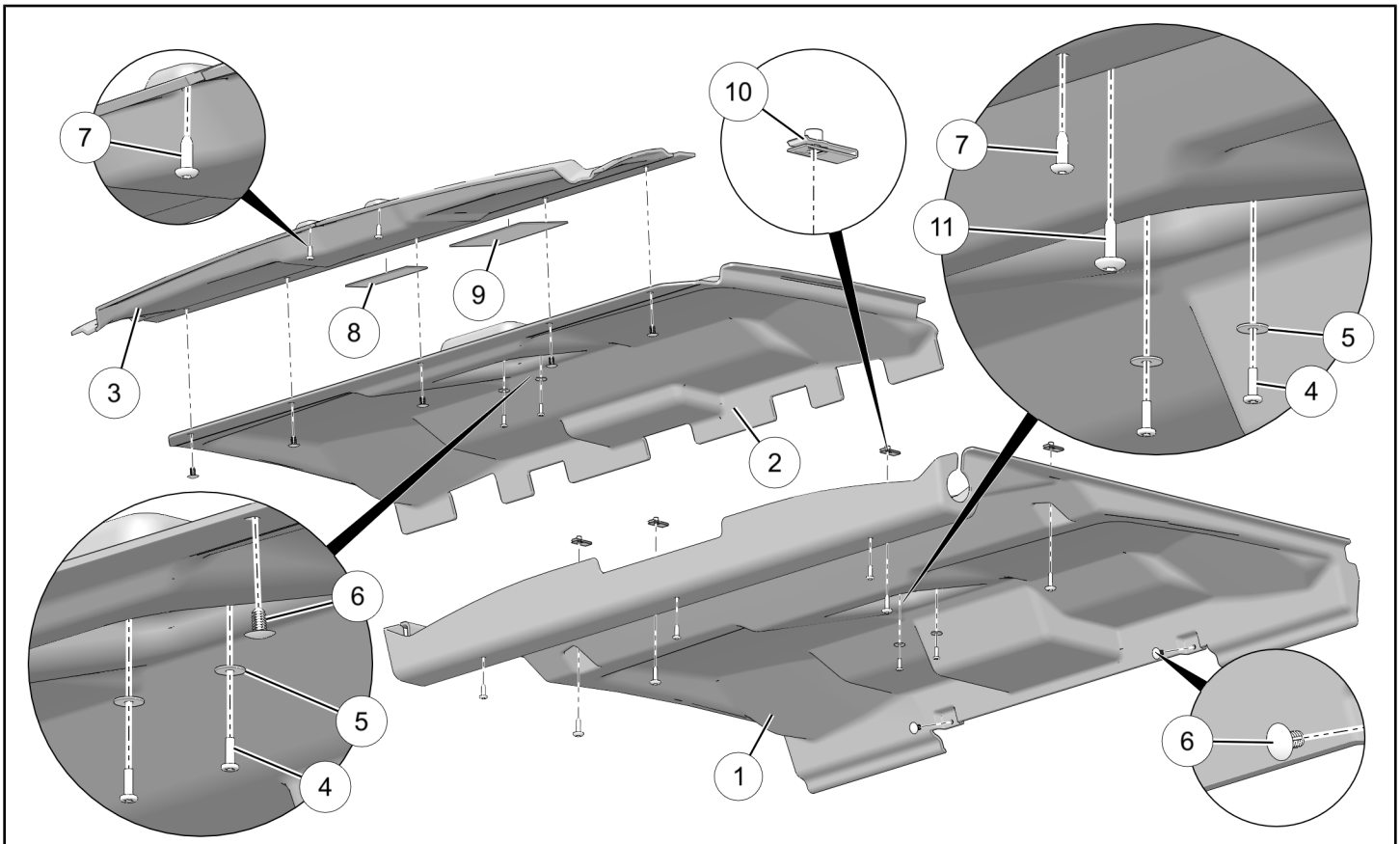
Verify accessory fitment at Polaris.com.

BEFORE YOU BEGIN

Read these instructions and check to be sure all parts and tools are accounted for. Please retain these installation instructions for future reference and parts ordering information.

KIT CONTENTS

This kit includes:



REF	QTY	PART DESCRIPTION	PART NUMBER
1	1	Liner, Roof, Rear	5814814
2	1	Liner, Roof, Mid	5814726
3	1	Liner, Roof, Front	5814774
4	4	Screw, Torx® Pan Head, High/Low - #10 X 5/8	7518238
5	4	Washer - 0.20 X 0.67 X 0.048	7556034
6	7	Push Dart	7670088
7	5	Screw, Torx® Truss Head, High/Low - #14 X 3/4	7519045
8	1	Decal, Warning, Payload (Kit PN 2883457 only)	7189382
9	1	Decal, Warning, General Use (Kit PN 2883457 only)	7188575

REF	QTY	PART DESCRIPTION	PART NUMBER
10	4	Nut, Clip	7081657
11	4	Screw, Torx® Truss Head - M6 X 1.0 X 25	7519650
12	1	Decal, "Never Operate/Always" (Kit PN 2884417 only) (not shown)	7300076
13	1	Decal, "Require Proper Use/Do Your Part" (Kit PN 2884417 only) (not shown)	7300099
	1	Instructions	9928666

TOOLS REQUIRED

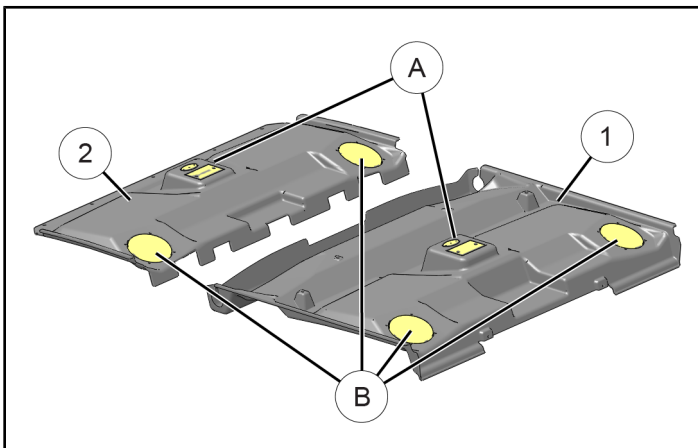
- Safety Glasses
- Screwdriver Set, Torx®

IMPORTANT

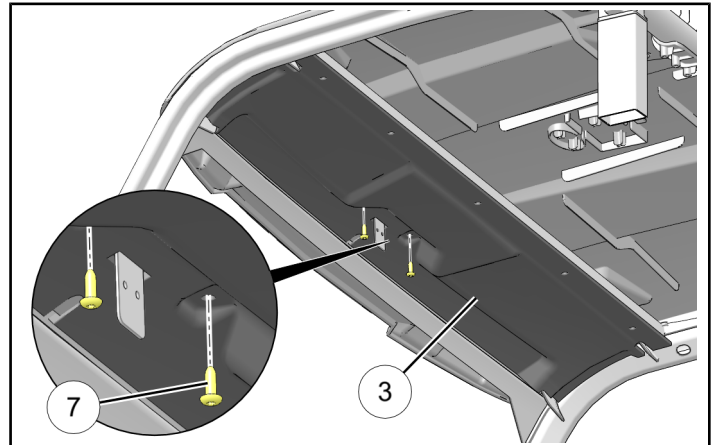
Your Roof Liner Kit is exclusively designed for your vehicle. Please read the installation instructions thoroughly before beginning. Installation is easier if the vehicle is clean and free of debris. For your safety, and to ensure a satisfactory installation, perform all installation steps correctly in the sequence shown.

INSTALLATION INSTRUCTIONS

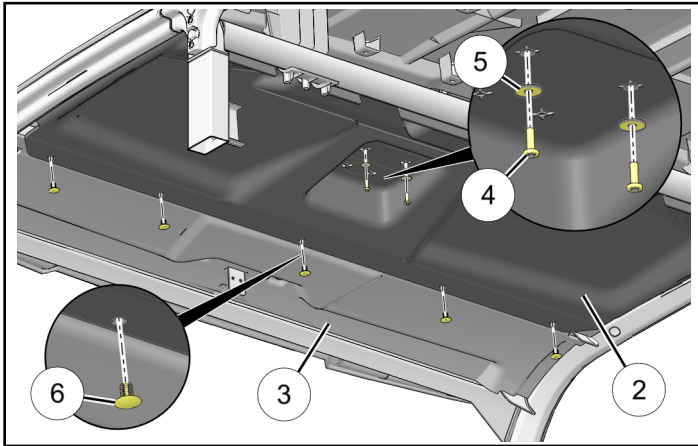
1. Shift vehicle transmission into "PARK". Turn ignition switch to "OFF" position and remove key.
2. OPTIONAL: If installing interior light and/or rear speakers (accessories sold separately), then modify mid liner ② and/or rear liner ① as follows:
 - Light: Cut oval or rectangular opening ① (as required) to accommodate light. Install light and electrical harness per instructions included with accessory.
 - Speakers: Cut circular openings ② (as required) and open associated fastener holes. Install speakers and electrical harness per instructions included with accessory.



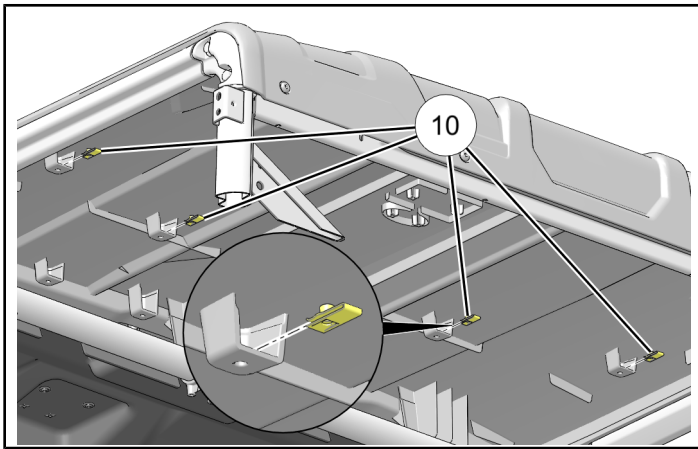
3. Loosely install front liner ③ to ROPS visor using two screws ⑦.



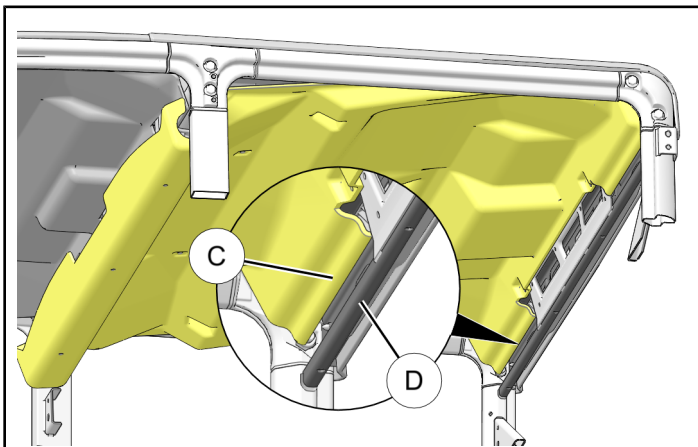
- If installing optional light, then refer to instructions included with light. Otherwise, loosely install two each screws ④ and washers ⑤ through mid liner ② into roof panel.



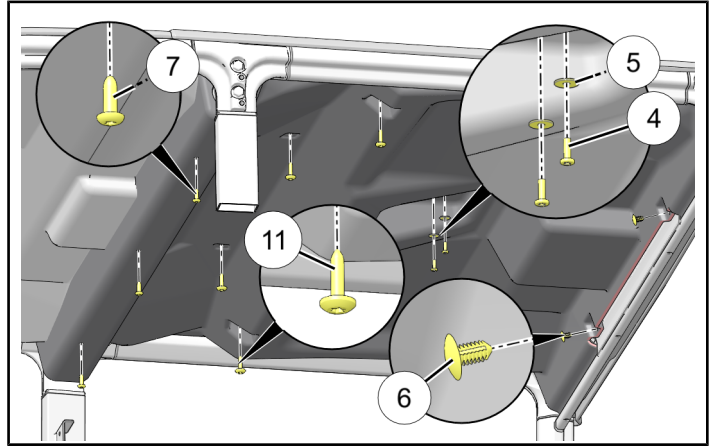
- Install mid liner ② to front liner ③ and ROPS visor using five push darts ⑥.
- Install four clip nuts ⑩ to standoffs in rear roof panel. Ensure proper orientation: Threaded portion of clip nut is located INSIDE standoff.



- Insert rear edges ③ of rear liner ① into roof support channel ⑩, then tip liner up, inserting LH and RH sides of liner between ROPS and roof seal.



- If installing optional light, then refer to instructions included with light. Otherwise, loosely install two each screws ④ and washers ⑤ through rear liner ① into roof.



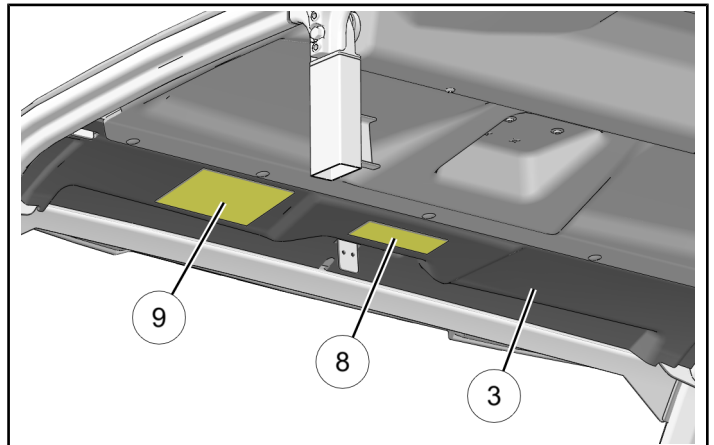
- Secure rear liner ② by loosely installing three screws ⑦, four screws ⑪, and two push darts ⑥.
- Tighten all liner screws ④, ⑦, and ⑪. Do not overtighten screws.
- Decal application.

IMPORTANT

Decals required per ANSI/ROHVA standards.

MY18 and newer *RANGER XP*® 1000

Apply payload decal ⑧ and general use decal ⑨ to front liner ③ as shown.

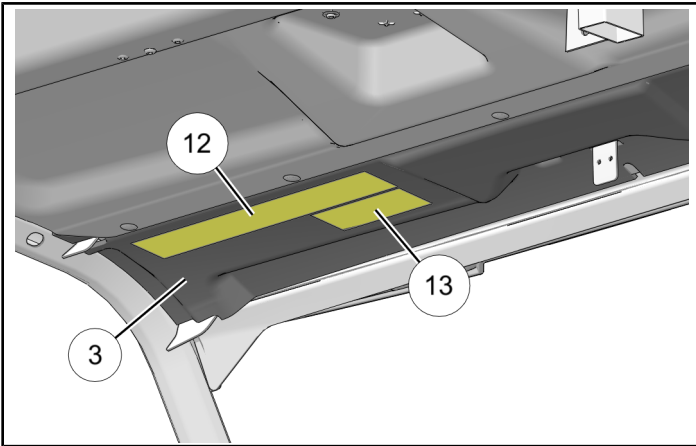


MY19 and older *RANGER XP*® 900

All required decals are applied to vehicle from factory. Decals ⑧ and ⑨ are not used.

PRO XD™

Apply “Never Operate/Always” decal ⑫ and “Require Proper Use/Do Your Part” decal ⑬ to front liner ③ as shown.



12. If installing optional rear speakers, then refer to instructions included with speakers.

FEEDBACK FORM

A feedback form has been created for the installer to provide any comments, questions or concerns about the installation instructions. The form is viewable on mobile devices by scanning the QR code or by clicking [HERE](#) if viewing on a PC.

