

# WINCH KIT



**P/N 2882710, 2882711**

## APPLICATION

Verify accessory fitment at [Polaris.com](http://Polaris.com).

## BEFORE YOU BEGIN

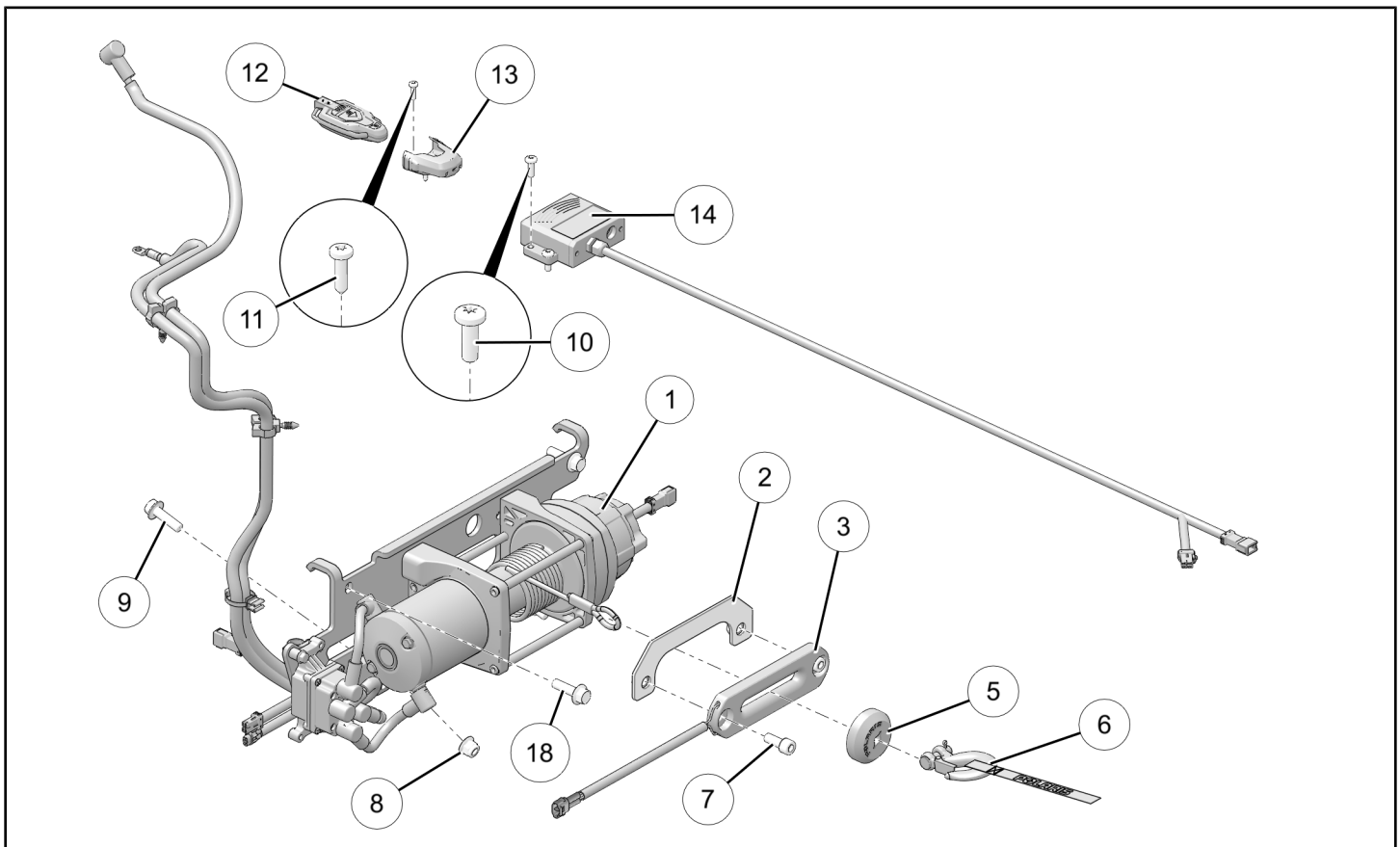
Read these instructions and check to be sure all parts and tools are accounted for. Please retain these installation instructions for future reference and parts ordering information.

## KIT CONTENTS

This Kit includes:

### NOTE

Kit PN 2882710 shown; Kit PN 2882711 similar except as noted below.



REF	QTY	PART DESCRIPTION	PART NUMBER
1	-	Winch (includes items 1.1 through 1.6, unless otherwise noted)	-
1.1	1	. Winch, Motor Assembly, 6000 lb (Kit 2882710 only)*	2206385
	1	. Winch, Motor Assembly, 4500 lb (Kit 2882711 only)*	2206384
1.2	1	. Contactor	4015600
1.3	1	. Cables, Contactor to Terminal Block	4017112
1.4	1	. Rope (Kit 2882710 only)	2879188

REF	QTY	PART DESCRIPTION	PART NUMBER
1.5	1	. Rope (Kit 2882711 only)	2879187
1.6	-	(unused)	-
1.7	1	. Controller, Autostop	2883454
2	1	Plate, Fairlead Backer	1023559
3	1	Fairlead, Autostop	2883454
4	-	(unused)	-
5	1	Stop, Magnetic	2883454
6	1	Hook (Kit 2882710 only)	2412964
	1	Hook (Kit 2882711 only)	2411836
7**	2	Screw, Socket Cap - M10 X 1.5 X 25	7517358
8**	2	Nut, Hex Flange, Locking - M10 X 1.5	7547423
9**	2	Screw, Hex Flange - M10 X 1.5 X 25	7519071
10**	4	Screw, Torx® Pan Head, High/Low - #14 X 0.75	7519731 / 2883455
11**	2	Screw, Torx® Pan Head, High/Low - #10 X 0.75	7512026 / 2883455
12	1	Remote, Wireless	2883455
13	1	Holder, Wireless Remote	2883455
14	1	Receiver, Wireless	2883455
15	-	(unused)	-
16	-	(unused)	-
17	-	(unused)	-
18**	2	Screw, Hex Flange - M10 X 1.5 X 20	7519905
19**	10	Cable Tie, 11 inch (not shown)	7080492
	1	Winch User Guide	9923644
	1	Instructions	9927879

Item marked (\*): Replacement Gear Selector Knob PN 2205265.

Items marked (\*\*): Included in Hardware Kit PN 2207258.

## TOOLS REQUIRED

- Safety Glasses
- Drill
- Drill Bit: 1/8th inch (3 mm)
- Pliers, Push Pin Rivet
- Screwdriver Set, Torx®
- Socket Set, Hex Bit, Metric
- Socket Set, Metric
- Torque Wrench
- Wrench Set, Metric

## IMPORTANT

Your Winch Kit is exclusively designed for your vehicle. Please read the installation instructions thoroughly before beginning. Installation is easier if the vehicle is clean and free of debris. For your safety, and to ensure a satisfactory installation, perform all installation steps correctly in the sequence shown.

## ASSEMBLY TIME

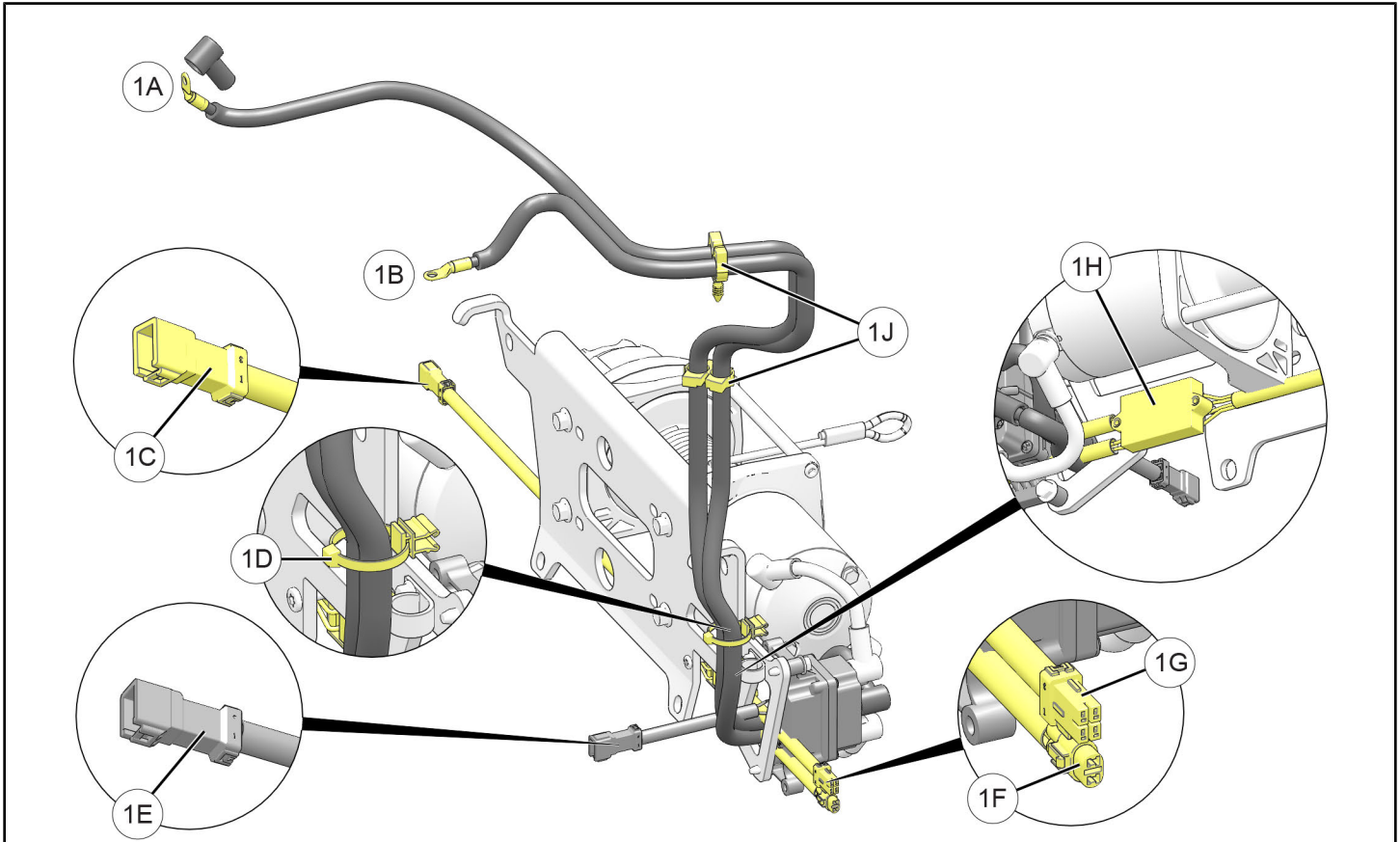
Approximately 60 minutes

### NOTE

Additional time may be required to accommodate other installed accessories.

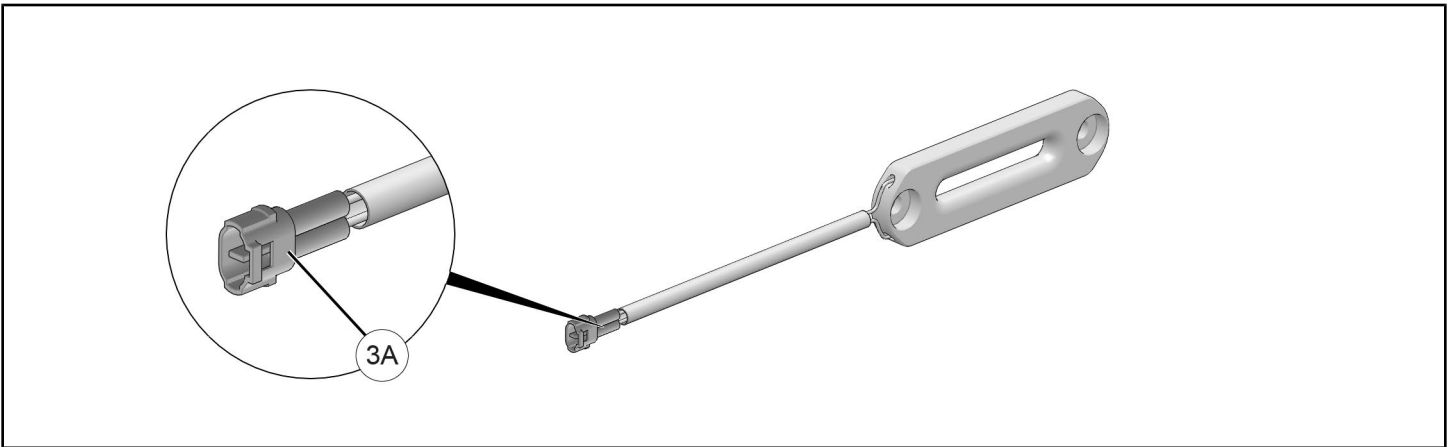
## HARNESS DETAIL

### WINCH HARNESS ①:



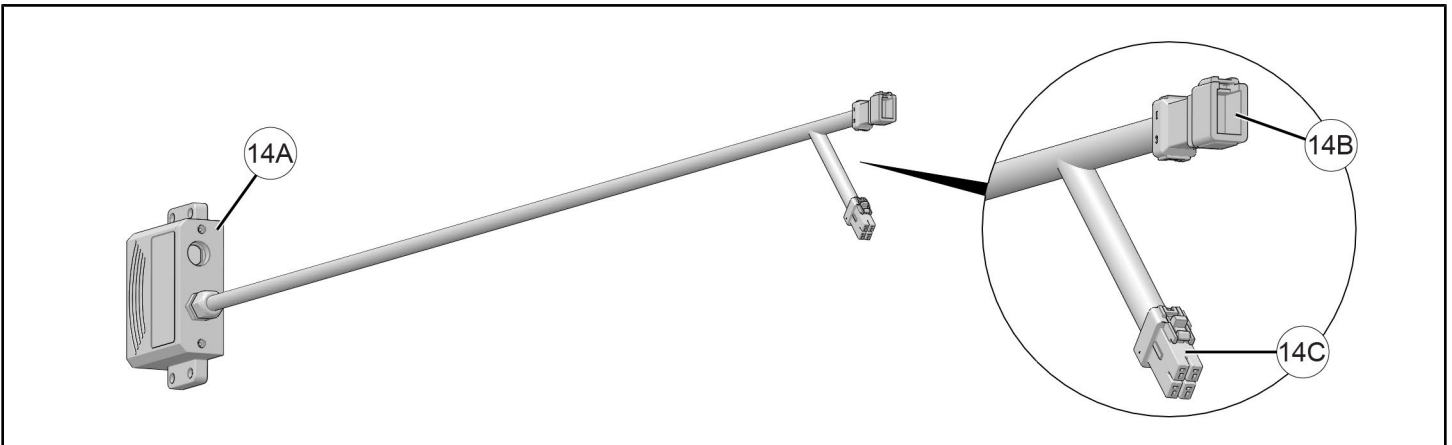
REF	PART DESCRIPTION	WIRE COLOR	PIN QTY/ GENDER	CONNECTS TO
1A	Ring Terminal, 45 degree (with cap) - 1/4 inch (6 mm)	Red	-	Terminal block, battery positive (+)
1B	Ring Terminal - 1/4 inch (6 mm)	Black	-	Chassis ground / battery negative (-)
1C	Connector, Winch Controller/Contactor	-	4 male	Main vehicle harness breakout; see instructions for detail
1D	Clip, Edge	-	-	Vehicle structure
1E	Connector, Winch Controller/Contactor	-	4 male	PRE-CONNECTED to 1G
1F	Connector, Autostop Fairlead	-	2 female	Autostop fairlead ③, connector 3A
1G	Connector, Winch Controller/Contactor	-	4 female	PRE-CONNECTED to 1E
1H	Autostop Controller; shown for reference only	-	-	-
1J	Clip, Routing	-	-	Vehicle structure

**AUTOSTOP FAIRLEAD HARNESS ③:**



REF	PART DESCRIPTION	WIRE COLOR	PIN QTY/ GENDER	CONNECTS TO
3A	Connector, Autostop Fairlead	-	2 male	Winch harness ①, connector 1F

**WIRELESS RECEIVER HARNESS ⑭:**



REF	PART DESCRIPTION	WIRE COLOR	PIN QTY/ GENDER	CONNECTS TO
14A	Wireless Receiver	-	-	Vehicle structure
14B	Connector, Winch Controller/Contactor	-	4 male	Main vehicle harness breakout; see instructions for detail
14C	Connector, Wired Remote	-	4 female	OPTIONAL: Wired remote socket, connector 17B*

\* Or compatible kit.

# INSTALLATION INSTRUCTIONS

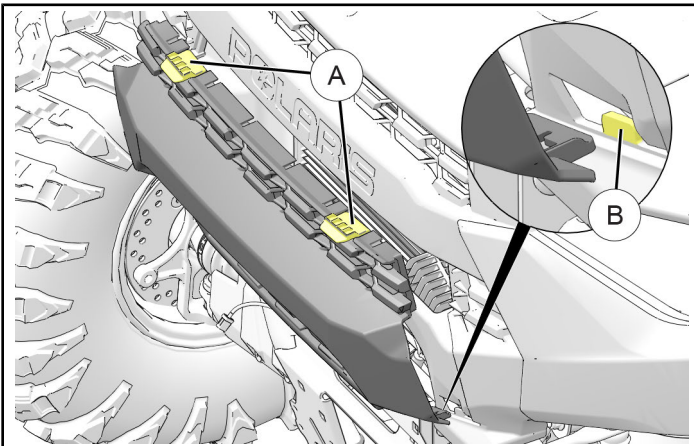
## IMPORTANT

Carefully read **GEAR SELECTION** section at end of manual to familiarize yourself with proper operation of Rapid Rope Recovery function.

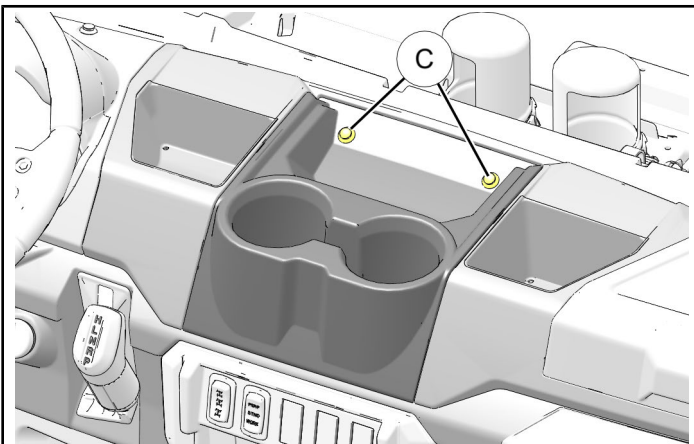
1. Shift vehicle transmission into "PARK". Turn ignition key to "OFF" position and remove from ignition switch.
2. Flip up passenger seat bottom, remove driver's seat and underseat storage compartment, then disconnect black negative (-) cable from battery.
3. Gain access.
  - a. Remove hood.
  - b. Remove lower grille by carefully depressing two tabs **A** at top of grille, tip grille outward, then lift grille out of two lower side tabs **B** in upper fascia.

## NOTE

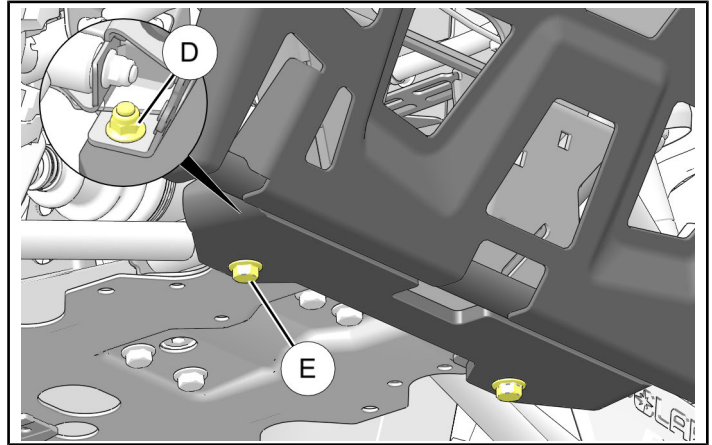
Bumper hidden for clarity.



- c. Remove upper dash cupholder by removing two push pin rivets **C**, then sliding cupholder rearward. Retain rivets.



4. Remove and prepare front bumper.
  - a. Remove nut **D** and screw **E** from bottom of bumper. Repeat for opposite side. Retain hardware.



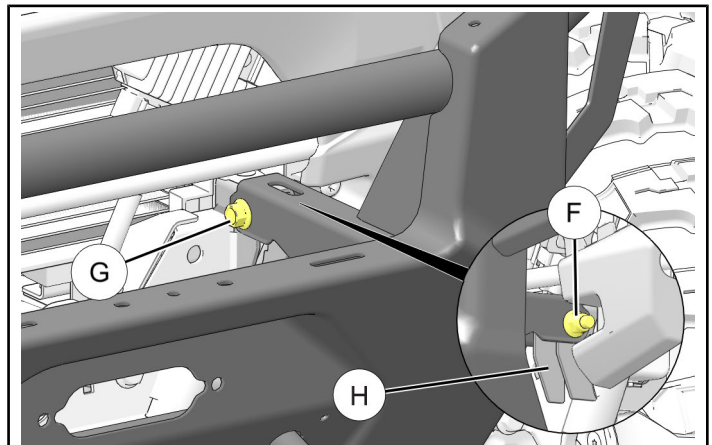
## CAUTION

Bumper weighs approximately 38 lbs. (17 kg). Provide adequate support for bumper before removing final screws. Failure to comply may result in personal injury or damage to bumper.

- b. While supporting bumper, remove nut **F** and screw **G**. Repeat for opposite side, then remove bumper and set aside. Retain hardware.

## NOTE

Screws **G** pass through bumper support brackets **H**. These brackets will be referenced in Step 5a.



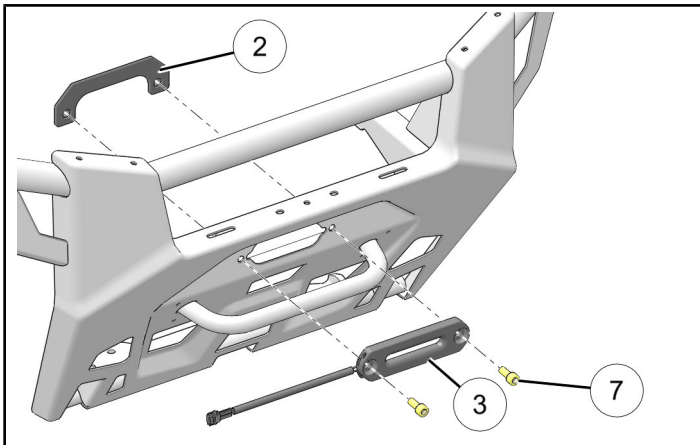
- c. Install autostop fairlead ③ and fairlead backer plate ② to bumper using two screws ⑦. Tighten screws. Set bumper aside.

**IMPORTANT**

Ensure fairlead is oriented so electrical harness exits on RH side of bumper as shown.

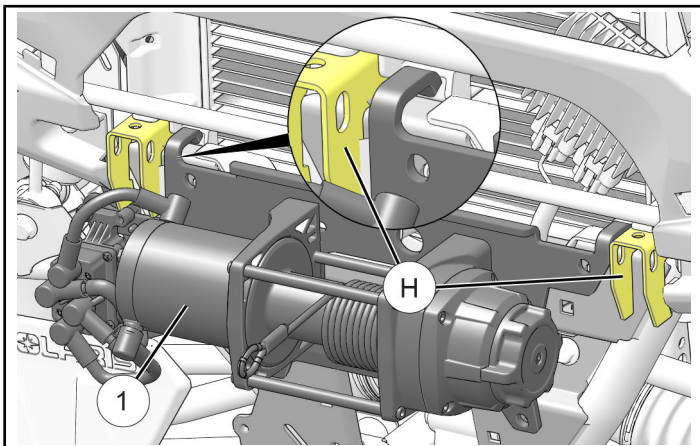
**TORQUE**

40 ft. lbs. (54 Nm) ± 10%

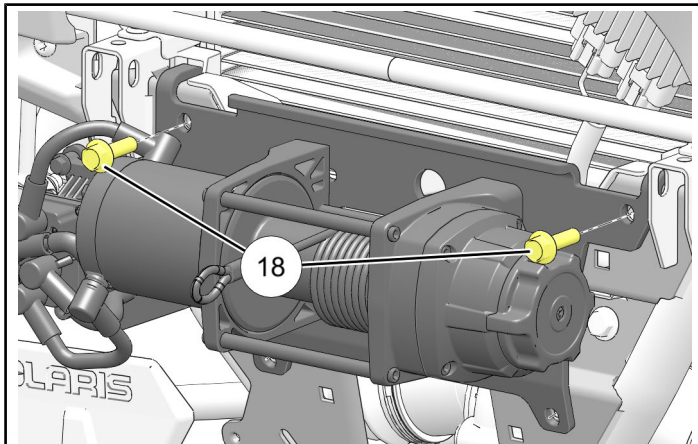


5. Install winch assembly.

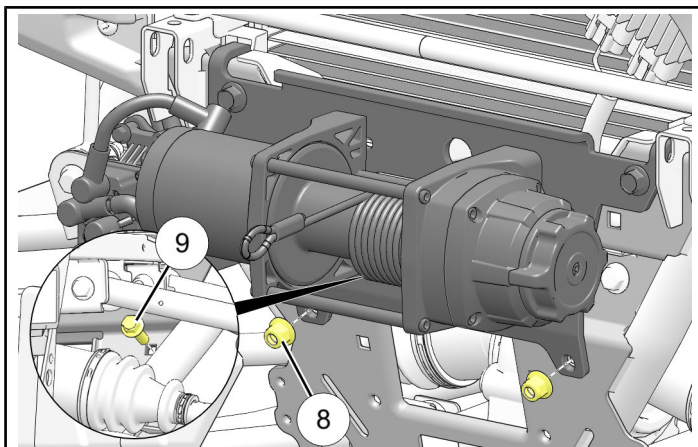
- a. Hang rear hooks of winch assembly ① on vehicle front support structure, centered between two bumper support brackets ④ as noted in previous Step 4b.



- b. At UPPER fastener holes loosely install two screws ⑱ REARWARD through winch into vehicle front support structure.



- c. At LOWER fastener holes install two screws ⑨ FORWARD through vehicle front support structure and winch, then secure each screw with nut ⑧.



- d. Torque screws ⑱ and nuts ⑧ to specification.

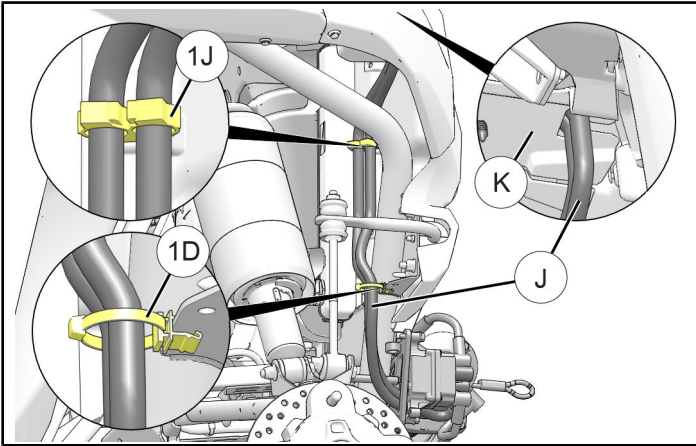
**TORQUE**

40 ft. lbs. (54 Nm) ± 10%

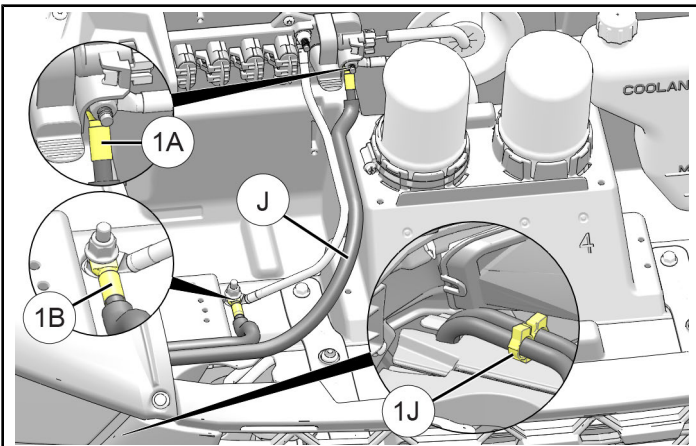
6. Route cables and make connections at terminal block.
  - a. Route terminal block cables ① upward from winch ①, then through cut-out in under-hood liner ⑫. Secure cables to vehicle using edge clip 1D and lower routing clip 1J.

#### NOTE

See previous section, **HARNES DETAIL**, for connector identification.  
View looking inboard from right front wheel well. Wheel hidden for clarity.



- b. Secure terminal block cables ① to under-hood liner using upper routing clip 1J.



- c. Join **RED** 45 degree ring terminal 1A to terminal block battery positive (+). Torque nut to specification, then install boot.

#### TORQUE

30 in. lbs. (3.4 Nm) ± 10%

#### NOTE

If two cable boots exist for same terminal, then slide inner boot (closest to terminal block) down cable. Unused boot can remain on cable.  
Red boot not shown for clarity.

- d. Join **BLACK** straight ring terminal 1B to chassis ground / battery negative (-). Torque nut to specification.

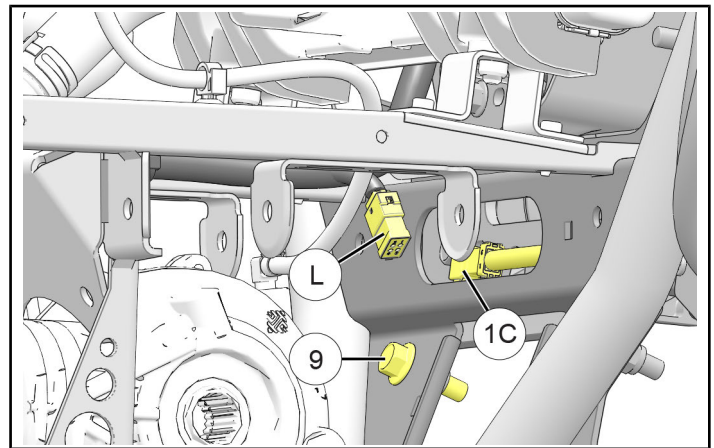
#### TORQUE

8 ft. lbs. (11 Nm) ± 10%

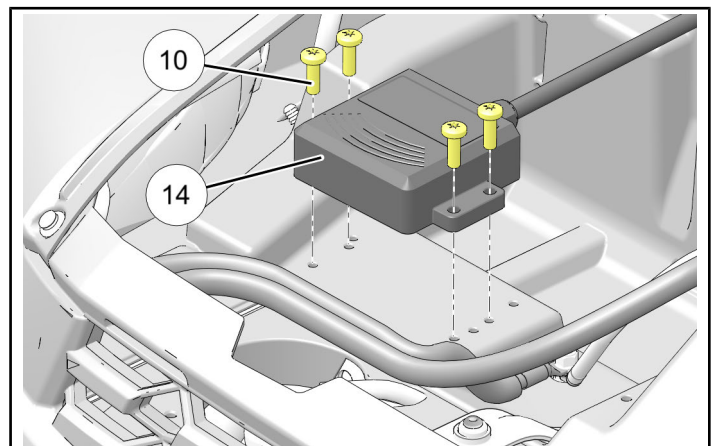
7. Locate **UNUSED** 4-pin main vehicle harness breakout connector ⑬ (near head of lower left winch attach screw ⑨). Remove cap from connector, then join to mating winch connector 1C.

#### NOTE

View looking inboard from right front wheel well. Some vehicle components hidden for clarity.



8. Install remote and associated components.
  - a. Install wireless receiver.
    - i. Install wireless receiver ⑭ to RH side of under-hood liner using four screws ⑩. Do not over-tighten screws.

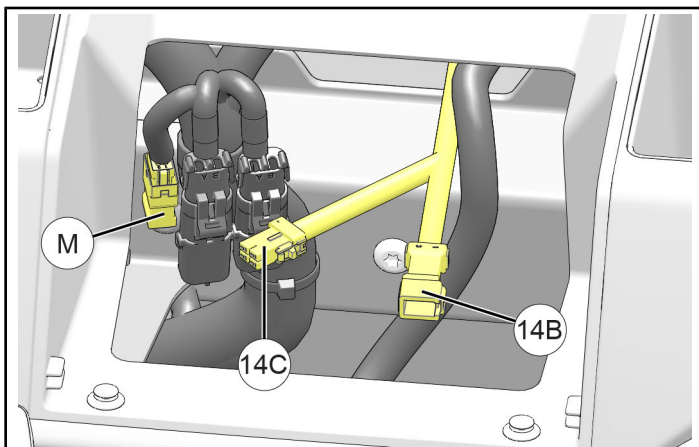


- ii. Route wireless receiver connectors 14B and 14C rearward through firewall grommet into upper dash compartment.

- iii. Locate UNUSED 4-pin main vehicle harness breakout connector (M) in cavity where cupholder was removed in Step 3c. Remove cap from connector, then join to mating wireless receiver connector 14B.

#### NOTE

Wireless receiver connector 14C provided for optional WIRED remote connection. See previous section, **HARNES DETAIL**, for more information.



- b. OPTIONAL: Install wireless remote.

#### NOTE

Wireless remote can be stowed in any suitable location. Holder (13) is not required.

- i. Remove wireless remote (12) from holder (13). Determine suitable mounting location for holder with special attention to the following:
  - Driver operation of vehicle (including travel of controls, such as shift lever)
  - Driver visibility
  - Adequate clearance between holder mounting fasteners and other vehicle components on underside of mounting surface
- ii. Using holder (13) as template, mark and drill two 1/8 inch (3 mm) holes into mounting surface.

#### IMPORTANT

Control drill depth to prevent damage to underlying structure or components.

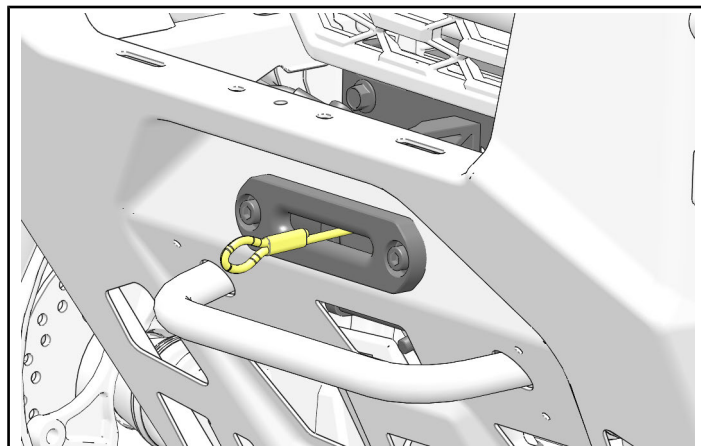
- iii. Install holder (13) using two screws (11). Do not over-tighten screws.
- iv. Reinstall wireless remote into holder.

9. Reinstall bumper.

- a. Unwind BY HAND several turns of rope from winch spool. While lifting bumper into position thread loop at end of rope through bumper and fairlead (3).

#### IMPORTANT

Do NOT electrically operate winch at this time.



- b. Loosely install middle of bumper to vehicle frame using two each retained screws (6) and nuts (F). See Step 4b.
- c. Install bottom of bumper to vehicle frame using two each retained screws (E) and nuts (D). See Step 4a.
- d. Torque fasteners to specification.

#### TORQUE

40 ft. lbs. (54 Nm) ± 10%

10. Reinstall lower grille. See Step 3B.

11. Install remaining winch components.

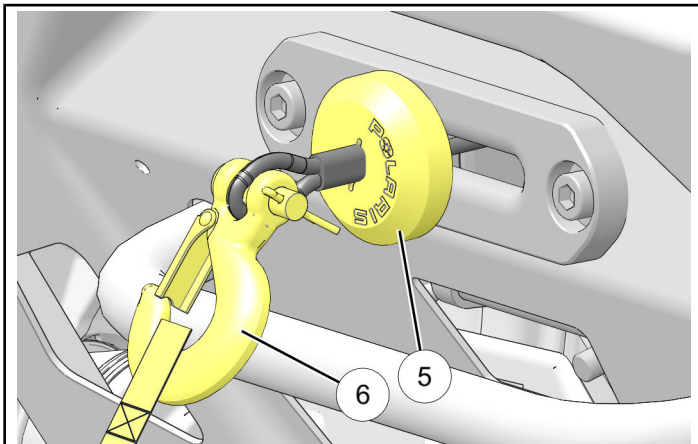
- a. Join connector 1F on winch (1) to connector 3A on autostop fairlead (3). Ensure routing prevents harness contact with hot components, sharp edges, or moving parts.



- b. Thread loop at end of rope through magnetic stop ⑤. Ensure stop is oriented with WIDE end (with magnet) towards winch, and BEVELED end (with "POLARIS") towards hook.

#### TIP

Loop a cable tie to end of rope, but do not tighten. Thread looped cable tie through magnetic stop, then pull cable tie and rope through magnetic stop.



- c. Install hook ⑥ to loop at end of rope. Ensure cotter pin is secured.

12. Secure all harnesses using cable ties ⑱ as required to prevent contact with hot components, sharp edges, or moving parts.
13. Reconnect black negative (-) cable to battery, then reinstall under-seat storage compartment and driver's seat.
14. Restore access. See Step 3.

## OPERATION

### OPERATIONAL CHECK

Wireless remote allows winch operation from outside the vehicle. If winch does not operate as described, refer to the **TROUBLESHOOTING** section.

#### IMPORTANT

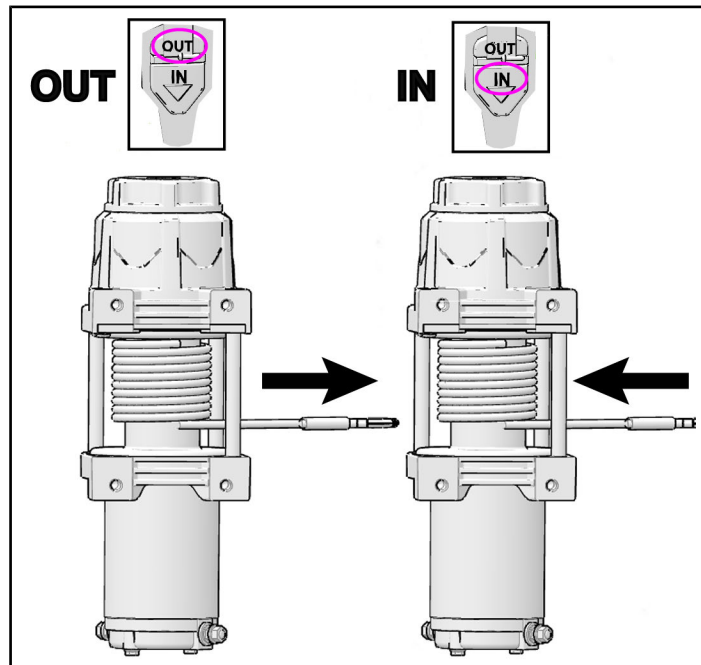
The Autostop system is intended to prevent winch damage caused by over-tightening the rope, but cannot prevent all possible winch damage. The winch system is very powerful and care should be exercised whenever it is in operation.

The winch operator is always responsible for using the winch properly, as described in the accompanying "Winch User Guide". The Autostop system should only be used as a secondary preventive measure to help prevent damage to the winch from over-tightening the rope.

1. To turn wireless remote "ON", depress and hold power button for three seconds or until LED light illuminates.
2. To extend rope, depress and hold the "OUT" button. To recover rope, depress and hold the "IN" button.

#### IMPORTANT

During rope retraction the winch should automatically stop when the magnetic stop ⑤ comes close to or contacts the autostop fairlead ③ (within approximately 1 inch (25 mm)). Magnets in the stop trigger sensors in the fairlead, stopping the winch.



3. The wireless remote will automatically turn "OFF" after 30 seconds of inactivity. To manually turn off, depress and hold power button for three seconds or until LED light extinguishes.

## GEAR SELECTION

### ⚠ WARNING

Do NOT attempt to change gear setting while rope is under tension. Failure to relieve rope tension prior to changing gears may result in winch failure, resulting in serious personal injury or death.

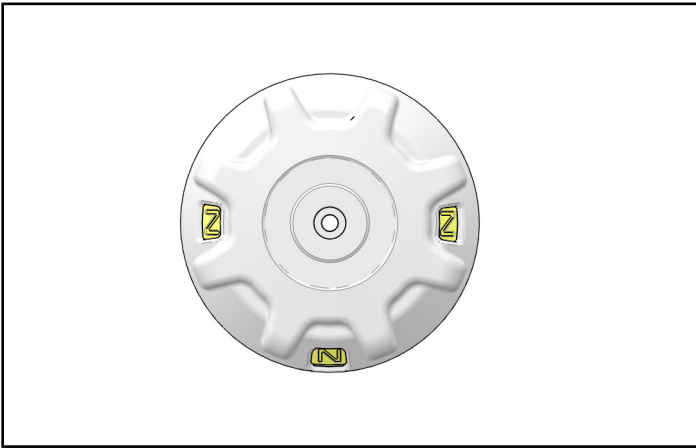
### NOTE

See Kit Contents for replacement knob PN.

Your winch is equipped with three different gear settings: "N" (NEUTRAL), "L" (LOW), and "H" (HIGH).

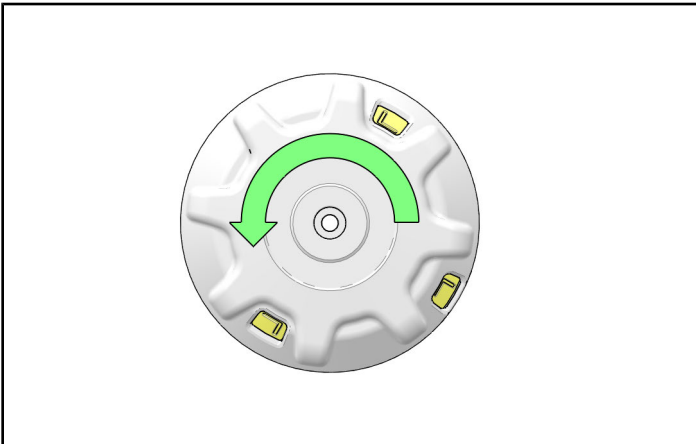
1. NEUTRAL: Used to rapidly extend the rope.

When in neutral "N" will be visible in the cutout window on the shift knob (LH side of winch).



2. LOW: Used to recover the LOADED rope.

Relieve all tension from the rope, then rotate gear select knob counter-clockwise until "L" is visible in the shift knob cutout window.



3. HIGH: Used to rapidly recover the UNLOADED rope.

Relieve all tension from the rope, then rotate gear select knob clockwise until "H" is visible in the shift knob cutout window.

If difficulty is encountered while shifting into HIGH, pull the winch rope slightly by hand to help align the gears.

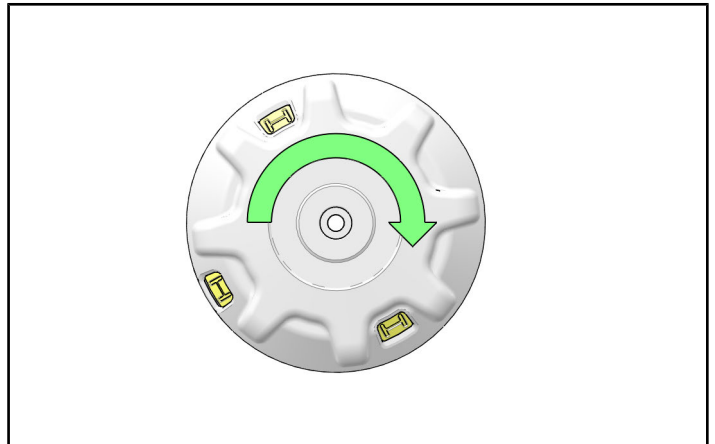
### IMPORTANT

High gear is ONLY used for rapid recovery of the UNLOADED winch rope. It is NOT intended for rope retraction while under load. Using high gear while under load will result in reduced winch life.

### NOTE

The recovery speed in HIGH gear is approximately 5X the recovery speed in LOW gear. As a result, using this feature will significantly reduce the time needed to recover the rope after use.

**Polaris recommends always returning gear selector to LOW after rapid recovery to prevent inadvertent future operation in HIGH gear.**



## TROUBLESHOOTING

SYMPTOM	POSSIBLE CAUSES	RECOMMENDED SOLUTION
Dead vehicle battery	Incorrect, damaged, or corroded electrical connections	Verify all winch electrical connections are per instruction manual and free of damage and/or corrosion.
Winch will not operate	Contactors not receiving power	Turn vehicle key on.
	Wireless remote not powered on	Turn wireless remote on.
	Incorrect, damaged, or corroded electrical connections	Verify all winch electrical connections are per instruction manual and free of damage and/or corrosion.
	Keyed power circuit (orange wires) not properly powered	Check 10A accessory circuit fuse for continuity; replace as required.
Winch operates in one direction only	Autostop fairlead not properly connected	If winch operates only outward then ensure magnetic stop (black rubber puck) is not touching autostop fairlead. If winch operates inward even when magnetic stop is touching fairlead then verify all winch electrical connections are per instruction manual and free of damage and/or corrosion.
Winch makes noise but rope does not move	Contactors powered, but not winch	If clicking sound is heard when winch control button is depressed, but winch motor is silent, then verify electrical connections between winch and contactors are free of damage and/or corrosion. If winch makes noise but does not move, verify winch is in gear. If winch is in gear, but winch still does not move, have a dealer inspect the winch.
	Winch not in proper gear	Rotate gear knob fully into L or H, then recheck.
Winch operates too slowly	Winch is improperly loaded	Verify rope is not binding on spool or fairlead. <b>IMPORTANT</b> High gear is ONLY used for rapid recovery of the UNLOADED winch rope. It is NOT intended for rope retraction while under load. Using high gear while under load will result in reduced winch life.
	Winch not in proper gear	Rotate gear knob fully into L or H, then recheck. <b>NOTE</b> Winch is designed to operate slowly in low gear.
Winch will not change gears	Rope is under load	Changing gears while under load is intentionally difficult to prevent accidental operation, which could lead to personal injury or winch failure. Ensure rope is under no tension, and rope is not binding on spool or fairlead. Briefly operate winch, then attempt to shift again.

## FEEDBACK FORM

A feedback form has been created for the installer to provide any comments, questions or concerns about the installation instructions. The form is viewable on mobile devices by scanning the QR code or by clicking [HERE](#) if viewing on a PC.

