

ALUMINUM DOOR KIT



P/N 2884659

BEFORE YOU BEGIN

Read these instructions and check to be sure all parts and tools are accounted for. Please retain these installation instructions for future reference and parts ordering information.

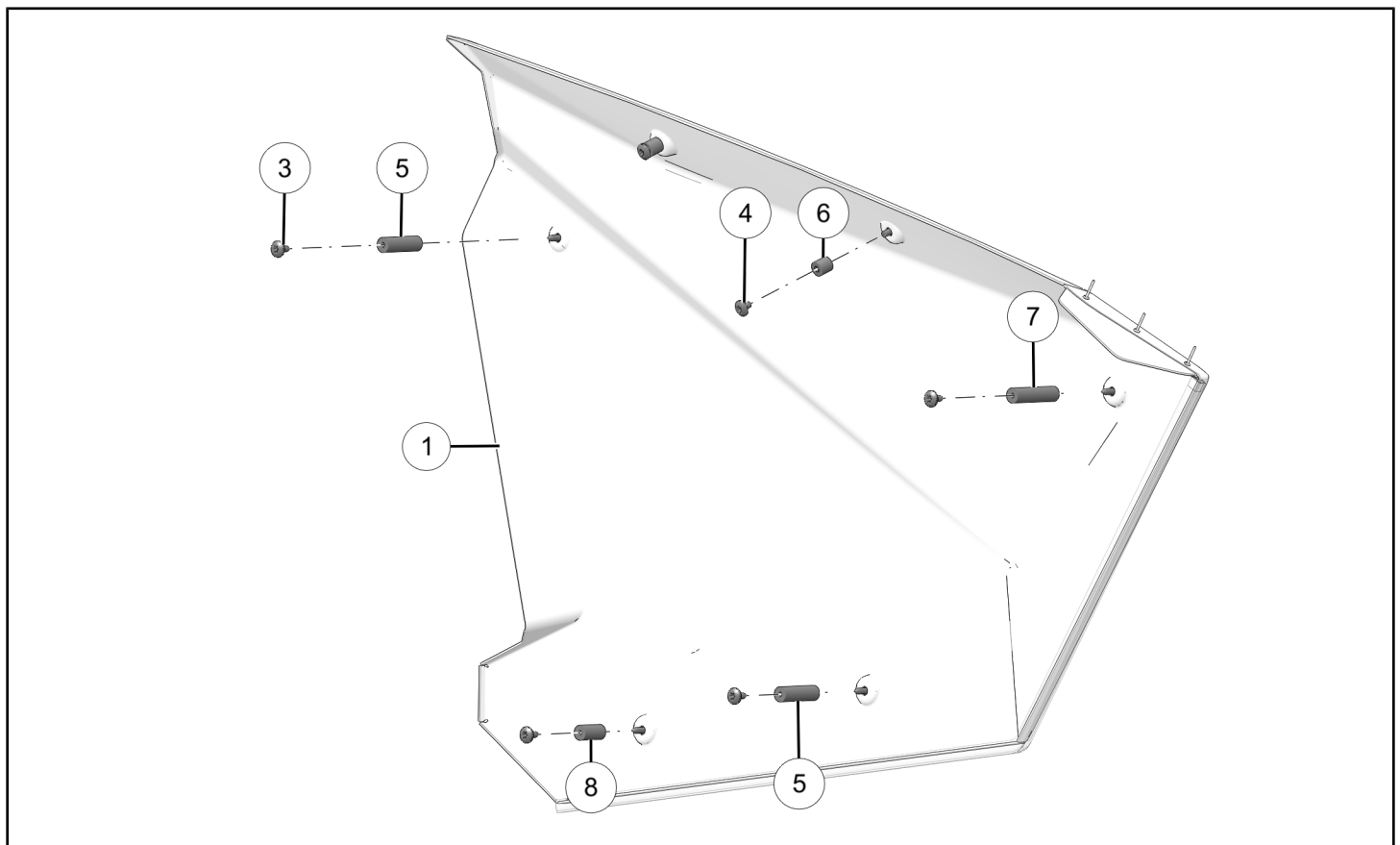
APPLICATION

Verify accessory fitment at www.polaris.com.

ACCESSORY WEIGHT

Accessories, passengers, and other factors may negatively affect ride performance. Refer to your vehicle's owner's manual for maximum weight capacity and suspension adjustment procedures.

KIT CONTENTS



NOTICE

Left-hand door shown; right-hand door similar.

NOTICE

XXX = Polaris® color code (For example: 458 = Black)

REF	QTY	PART DESCRIPTION	P/N AVAILABLE SEPARATELY	AVAILABLE SERVICE KIT
1	1	Panel–Door, Two Passenger, Left-Hand	5269474-XXX	n/a
2	1	Panel–Door, Two Passenger, Right-Hand (not shown)	5269475-XXX	n/a
3	16	Screw–Torx® Truss Head, M6 x 1.0 x 16 mm	n/a	2208578
4	8	Screw–Torx® Truss Head, M6 x 1.0 x 9.0 mm	n/a	2208578
5	4	Spacer, 5.0 x 15 x 45 mm	n/a	2208578
6	4	Spacer, 5.0 x 15 x 15 mm	n/a	2208578
7	2	Spacer, 5.0 x 15 x 61 mm	n/a	2208578
8	2	Spacer, 5.0 x 15 x 30 mm	n/a	2208578

TOOLS REQUIRED

- Safety Glasses
- Screwdriver Set, Torx®
- Socket Set, Torx® Bit
- Torque Wrench

IMPORTANT

Your Aluminum Door Kit is exclusively designed for your vehicle. Please read the installation instructions thoroughly before beginning. Installation is easier if the vehicle is clean and free of debris. For your safety, and to ensure a satisfactory installation, perform all installation steps correctly in the sequence shown.

INSTALLATION INSTRUCTIONS

VEHICLE PREPARATION

GENERAL

1. Shift vehicle transmission into PARK.
2. Turn key to OFF position and remove from vehicle.

FRONT DOOR PANEL REMOVAL

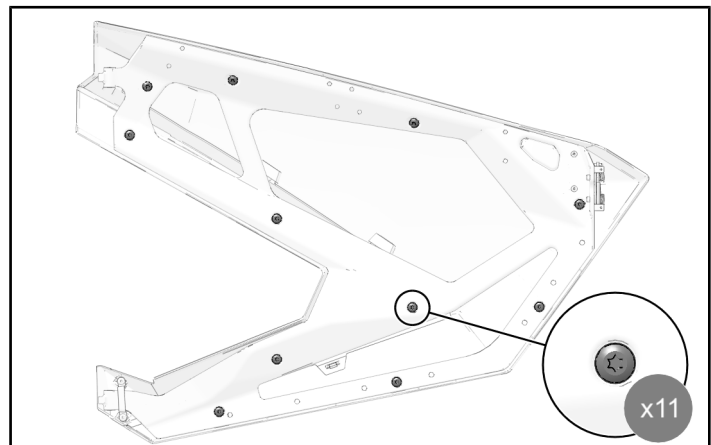
NOTICE

Left-hand door shown; right-hand door similar.

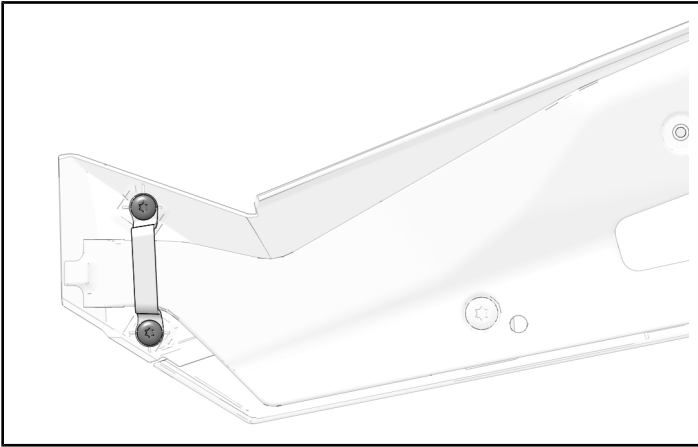
NOTICE

Vehicle body hidden for clarity.

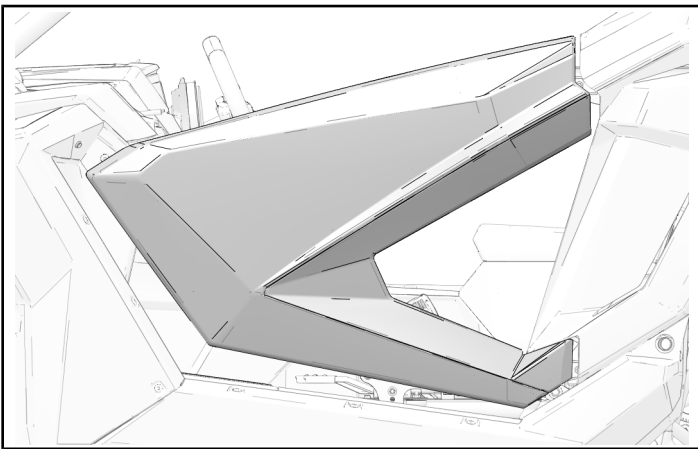
1. Remove eleven door panel fasteners.



- Remove two bracket fasteners and trim bracket from door panel.



- Remove door panel from door.



ACCESSORY INSTALLATION

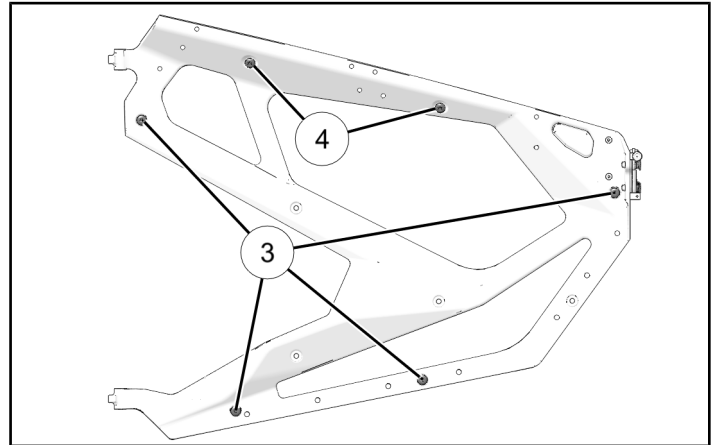
NOTICE

Left-hand door shown; right-hand door similar.

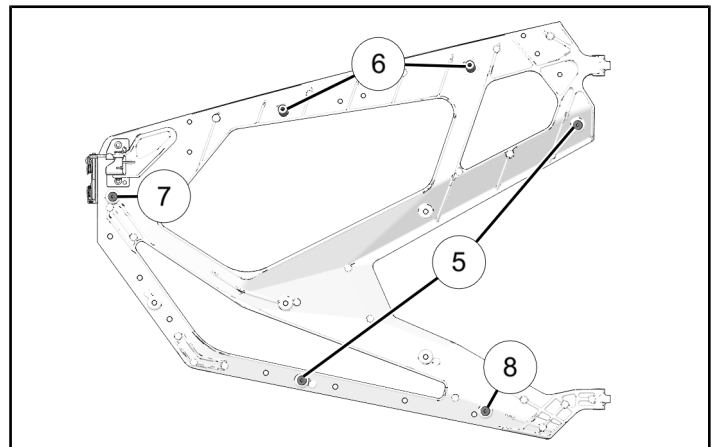
- Identify spacer and fastener locations.

REF	QTY	PART DESCRIPTION
3	4	Screw–Torx® Truss Head, M6 x 1.0 x 16 mm
4	2	Screw–Torx® Truss Head, M6 x 1.0 x 9.0 mm
5	2	Spacer, 5.0 x 15 x 45 mm
6	2	Spacer, 5.0 x 15 x 15 mm
7	1	Spacer, 5.0 x 15 x 61 mm
8	1	Spacer, 5.0 x 15 x 30 mm

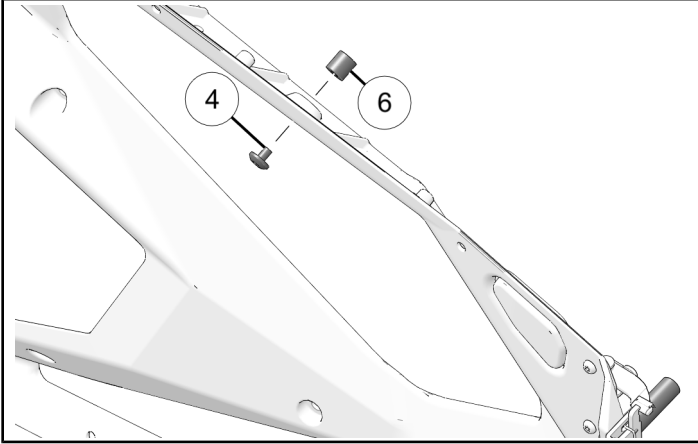
• Inside Fasteners



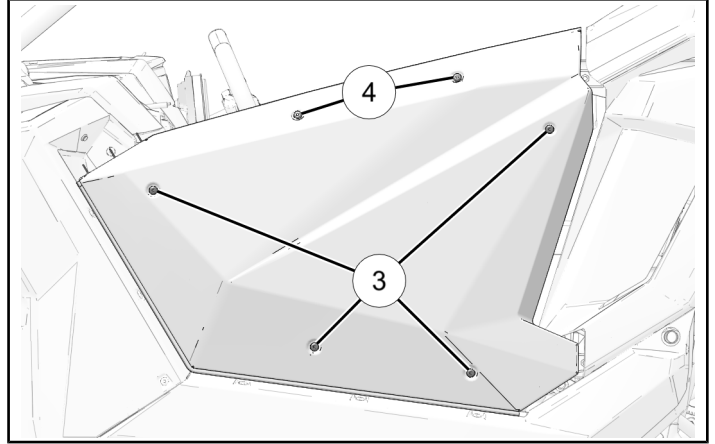
• Outside Spacers



2. Install fastener and spacer combinations onto door casting. Spacer ⑥ and fastener ④ shown; others similar.



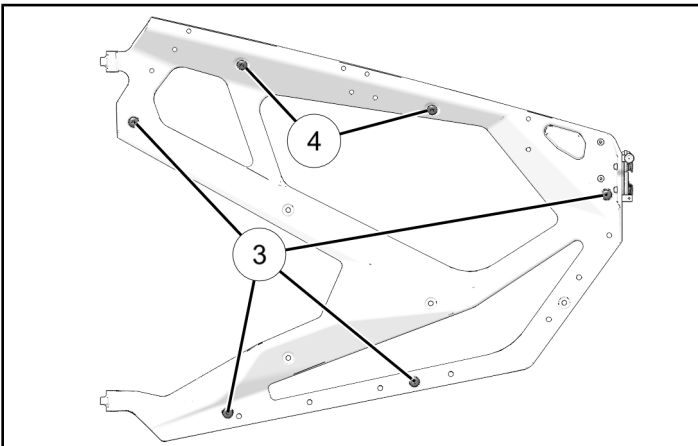
4. Align door panel with spacers and loosely install with two shorter fasteners ④ and four longer fasteners ③.



3. From inside of door, torque two shorter fasteners ④ and four longer fasteners ③ to specification.

TORQUE
Door Fasteners (shorter) ④: 8 ft-lbs (11 N·m)

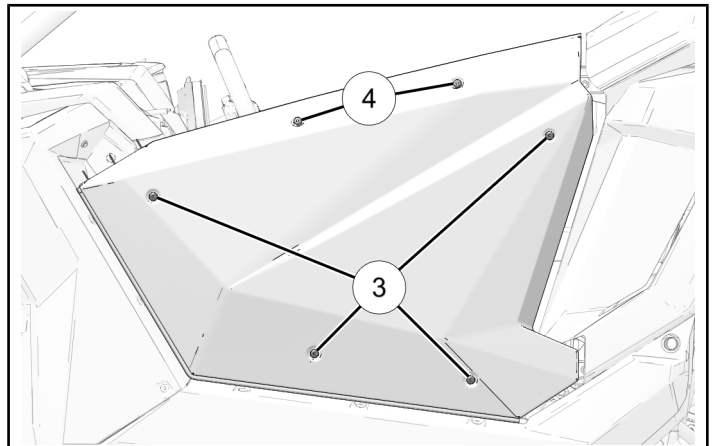
TORQUE
Door Fasteners (longer) ③: 8 ft-lbs (11 N·m)



5. From outside of door, torque two shorter fasteners ④ and four longer fasteners ③ to specification.

TORQUE
Door Fasteners (shorter) ④: 8 ft-lbs (11 N·m)

TORQUE
Door Fasteners (longer) ③: 8 ft-lbs (11 N·m)



FEEDBACK FORM

A feedback form has been created for the installer to provide any comments, questions or concerns about the installation instructions. The form is viewable on mobile devices by scanning the QR code or by clicking [HERE](#) if viewing on a PC.

