

ALUMINUM DOOR KIT



P/N 2884660-XXX

BEFORE YOU BEGIN

Read these instructions and check to be sure all parts and tools are accounted for. Please retain these installation instructions for future reference and parts ordering information.

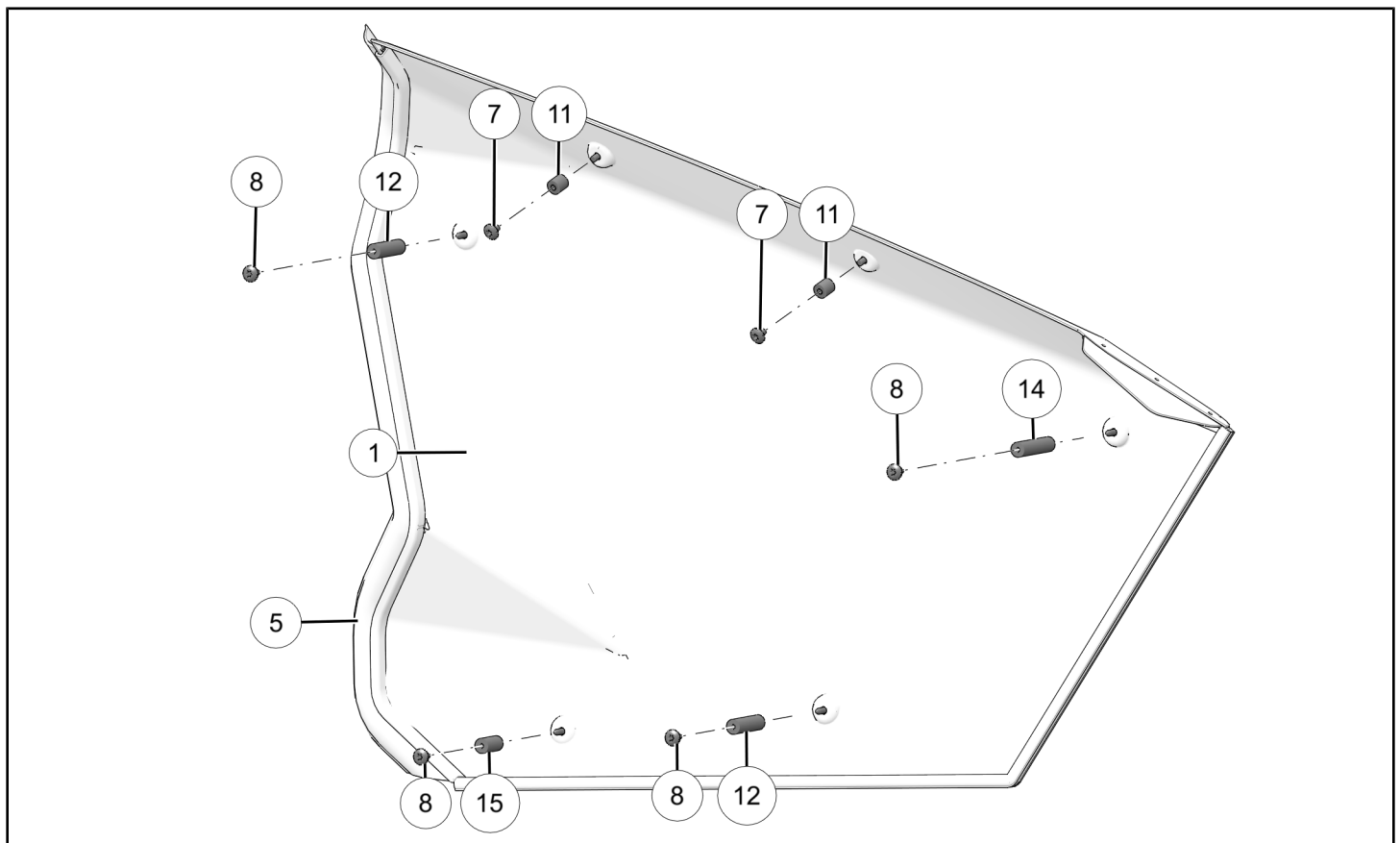
APPLICATION

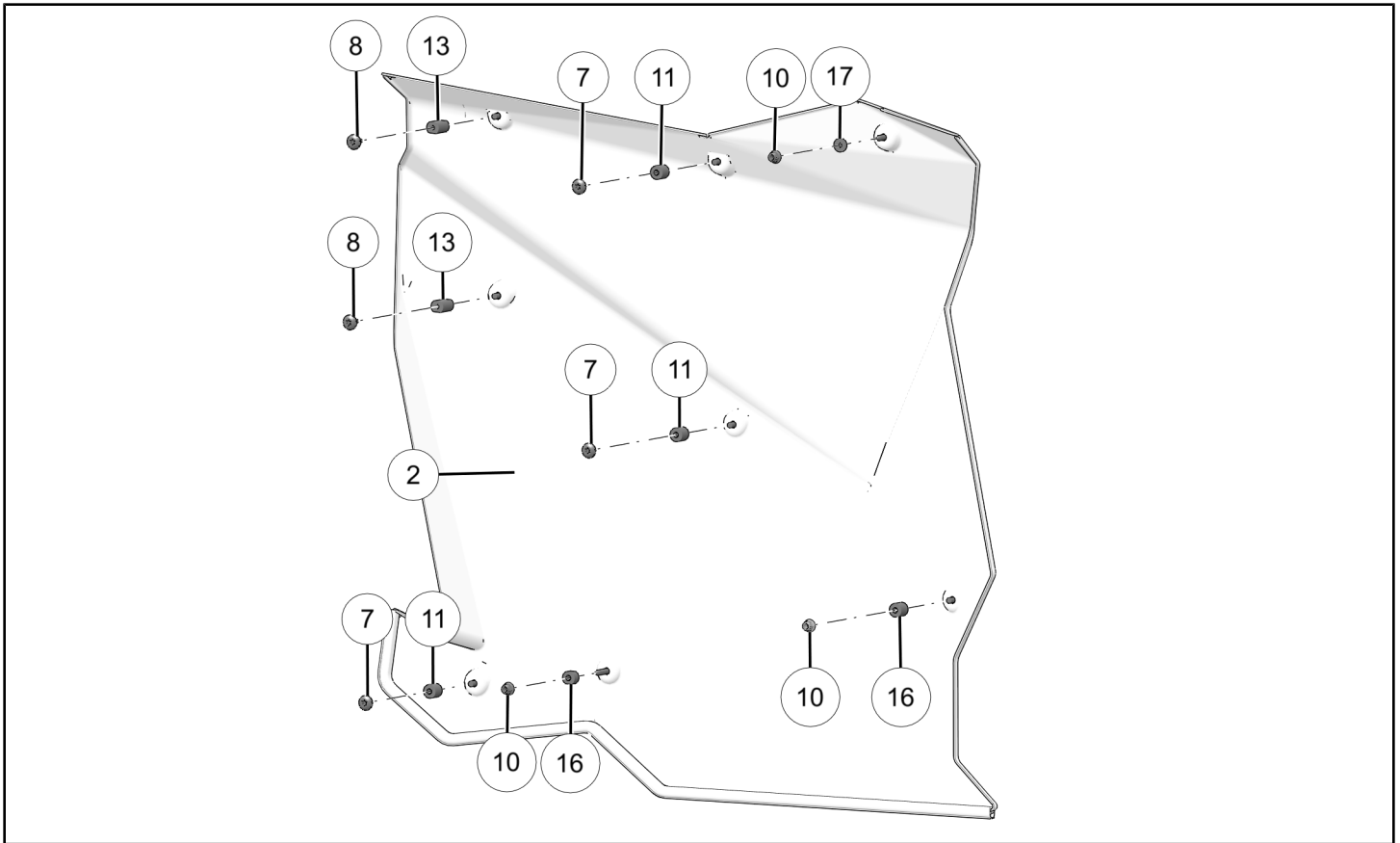
Verify accessory fitment at www.polaris.com.

ACCESSORY WEIGHT

Accessories, passengers, and other factors may negatively affect ride performance. Refer to your vehicle's owner's manual for maximum weight capacity and suspension adjustment procedures.

KIT CONTENTS





NOTICE

Left-hand door shown; right-hand door similar.

NOTICE

XXX = Polaris® color code (For example: 458 = Black)

REF	QTY	PART DESCRIPTION	P/N AVAILABLE SEPARATELY	AVAILABLE SERVICE KIT
1	1	Panel–Door, Multi-Passenger, Front, Left-Hand	5269476-XXX	n/a
2	1	Panel–Door, Multi-Passenger, Front, Right-Hand	5269477-XXX	n/a
3	1	Panel–Door, Multi-Passenger, Rear, Left-Hand	5269478-XXX	n/a
4	1	Panel–Door, Multi-Passenger, Rear, Right-Hand	5269479-XXX	n/a
5	1	Seal–Door, Left-Hand	5417660	n/a
6	1	Seal–Door, Right-Hand	5417661	n/a
7	24	Screw–Torx® Button Head, M6 x 1.0 x 9.0 mm	n/a	2208579
8	22	Screw–Torx® Truss Head, M6 x 1.0 x 16 mm	n/a	2208579
9	4	Screw–Torx® Truss Head, M6 x 1.0 x 25 mm	n/a	2208579
10	6	Nut–Hex Flange, M6 x 1.0 x 25 mm	n/a	2208579
11	10	Spacer, 5.0 x 15 x 15 mm	n/a	2208579
12	4	Spacer, 5.0 x 15 x 50 mm	n/a	2208579

REF	QTY	PART DESCRIPTION	P/N AVAILABLE SEPARATELY	AVAILABLE SERVICE KIT
13	4	Spacer, 5.0 x 15 x 23 mm	n/a	2208579
14	2	Spacer, 5.0 x 15 x 61 mm	n/a	2208579
15	2	Spacer, 5.0 x 15 x 30 mm	n/a	2208579
16	4	Spacer, 5.0 x 15 x 10 mm	n/a	2208579
17	2	Spacer, 5.0 x 15 x 3.0 mm	n/a	2208579

TOOLS REQUIRED

- Safety Glasses
- Screwdriver Set, Torx®
- Socket Set, Metric
- Socket Set, Torx® Bit
- Torque Wrench
- Wrench Set, Metric

IMPORTANT

Your Aluminum Door Kit is exclusively designed for your vehicle. Please read the installation instructions thoroughly before beginning. Installation is easier if the vehicle is clean and free of debris. For your safety, and to ensure a satisfactory installation, perform all installation steps correctly in the sequence shown.

INSTALLATION INSTRUCTIONS

VEHICLE PREPARATION

GENERAL

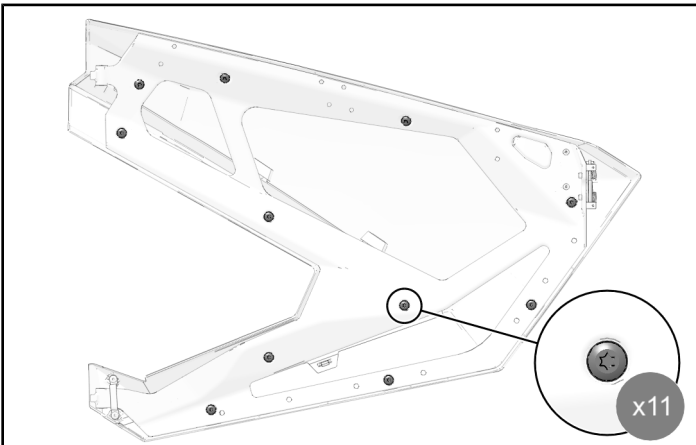
1. Shift vehicle transmission into PARK.
2. Turn key to OFF position and remove from vehicle.

FRONT DOOR PANEL REMOVAL

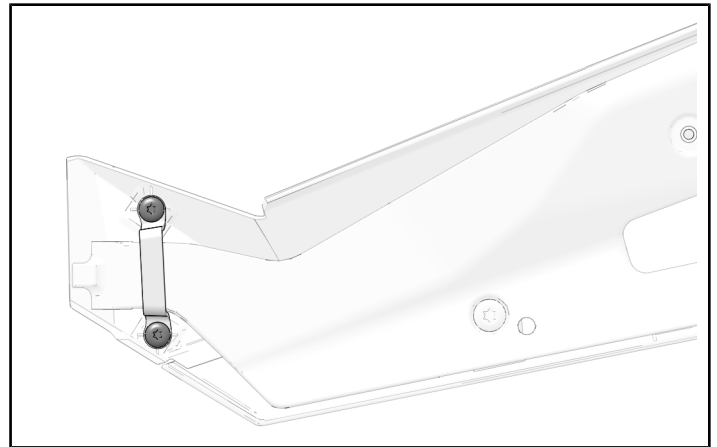
NOTICE

Left-hand door shown; right-hand door similar.

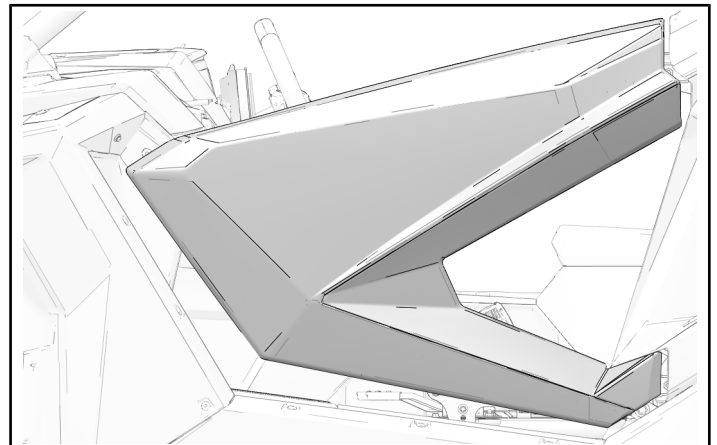
1. Remove eleven door panel fasteners.



2. Remove two bracket fasteners and trim bracket from door panel.



3. Remove door panel from door.

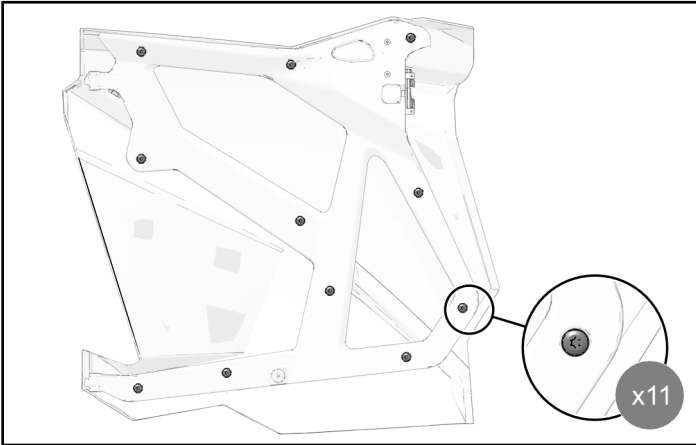


REAR DOOR PANEL REMOVAL

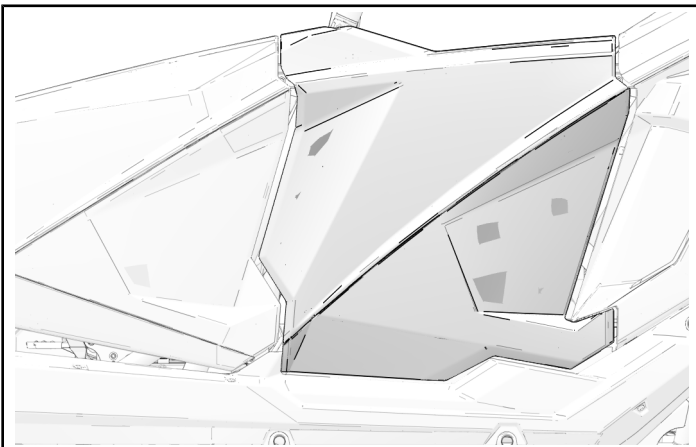
NOTICE

Left-hand door shown; right-hand door similar.

1. Remove eleven door panel fasteners.



2. Remove door panel from door.



ACCESSORY INSTALLATION

NOTICE

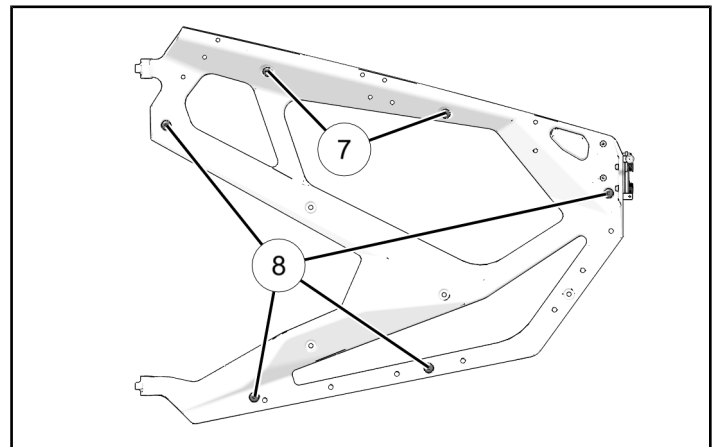
Left-hand door shown; right-hand door similar.

FRONT DOOR INSTALLATION

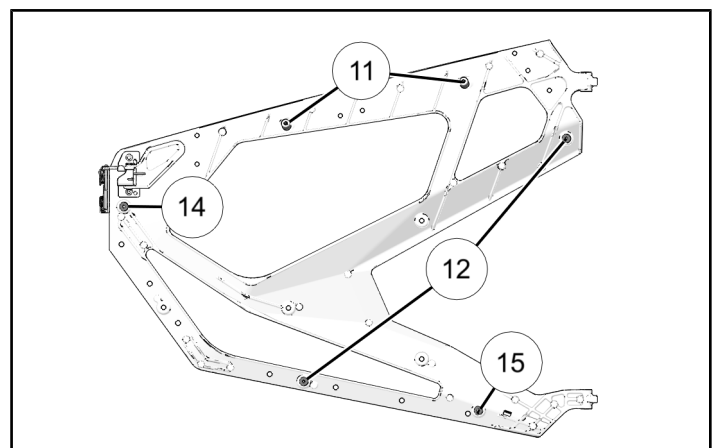
1. Identify spacer and fasteners locations.

REF	QTY	PART DESCRIPTION
7	2	Screw-Torx® Button Head, M6 x 1.0 x 9.0 mm
8	4	Screw-Torx® Truss Head, M6 x 1.0 x 16 mm
11	2	Spacer, 5.0 x 15 x 15 mm
12	2	Spacer, 5.0 x 15 x 50 mm
14	1	Spacer, 5.0 x 15 x 61 mm
15	1	Spacer, 5.0 x 15 x 30 mm

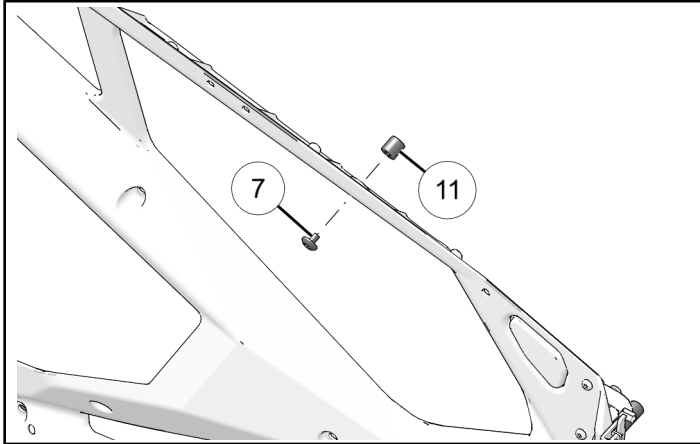
- Inside Fasteners



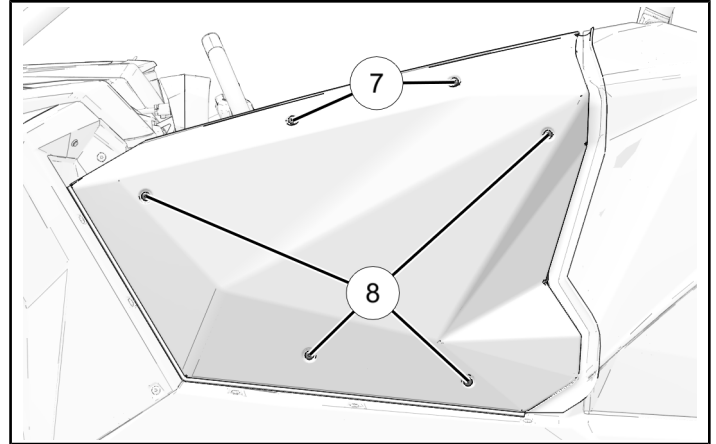
- Outside Spacers



2. Install fastener and spacer combinations onto door casting. Spacer ⑪ and fastener ⑦ shown; others similar.



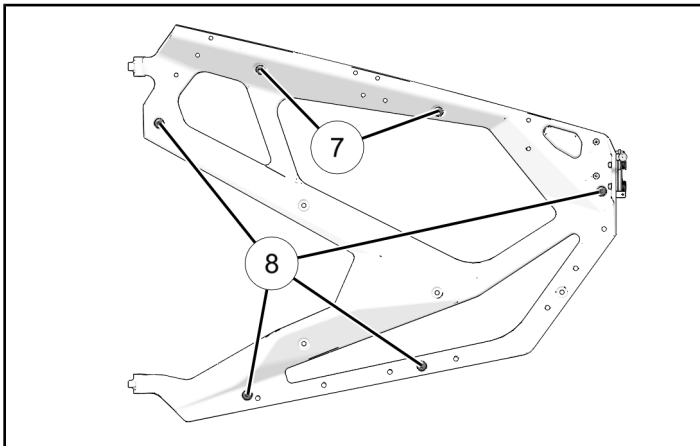
4. Align door panel with spacers and loosely install with two shorter fasteners ⑦ and four longer fasteners ⑧.



3. From inside of door, torque two shorter fasteners ⑦ and four longer fasteners ⑧ to specification.

TORQUE
Door Fasteners ⑦: 8 ft-lbs (11 N·m)

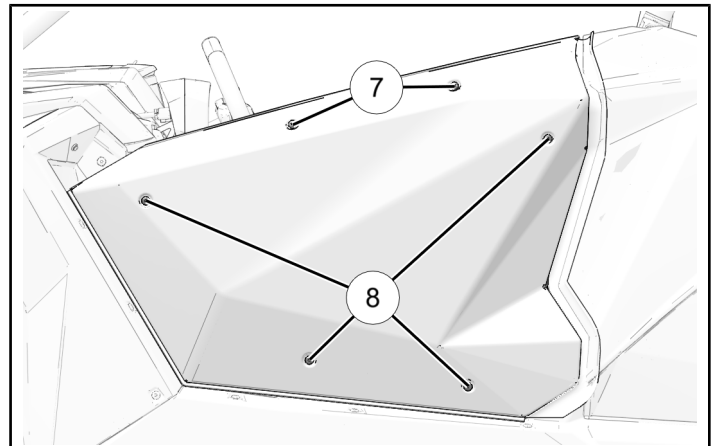
TORQUE
Door Fasteners ⑧: 8 ft-lbs (11 N·m)



5. From outside of door, torque two shorter fasteners ⑦ and four longer fasteners ⑧ to specification.

TORQUE
Door Fasteners ⑦: 8 ft-lbs (11 N·m)

TORQUE
Door Fasteners ⑧: 8 ft-lbs (11 N·m)

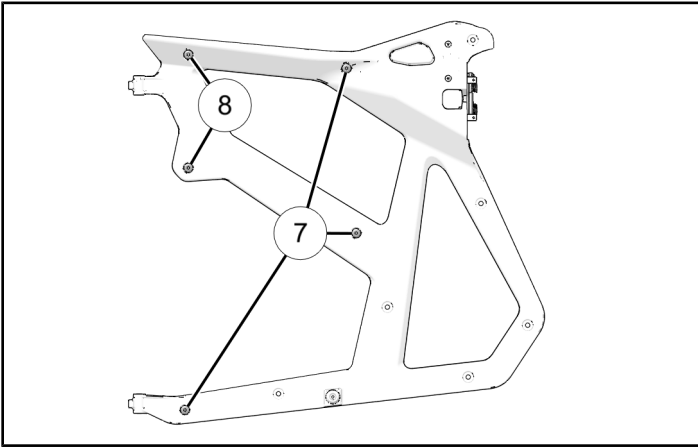


REAR DOOR INSTALLATION

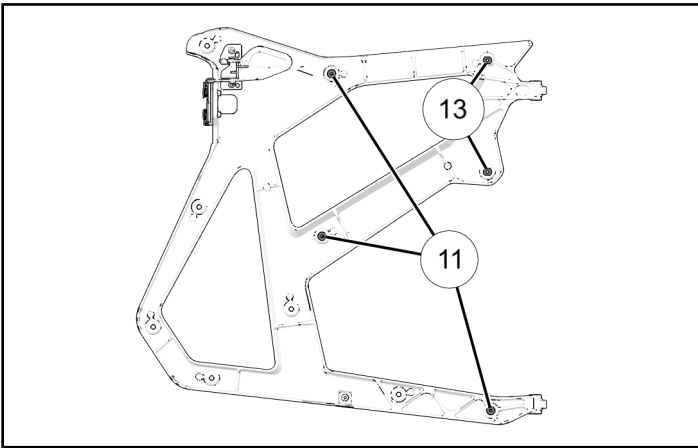
1. Identify spacer and fasteners locations.

REF	QTY	PART DESCRIPTION
7	3	Screw-Torx® Button Head, M6 x 1.0 x 9.0 mm
8	2	Screw-Torx® Truss Head, M6 x 1.0 x 16 mm
11	3	Spacer, 5.0 x 15 x 15 mm
13	2	Spacer, 5.0 x 15 x 23 mm

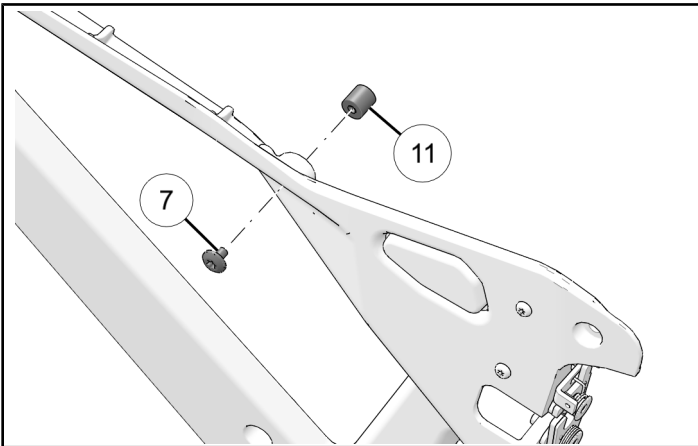
• Inside Fasteners



• Outside Spacers



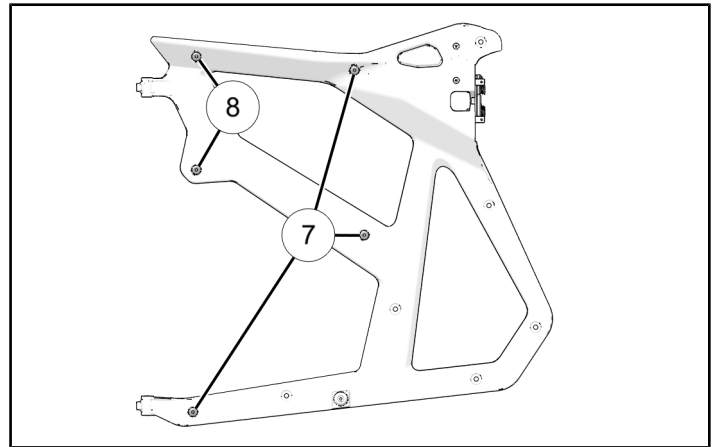
2. Install fastener and spacer combinations onto door casting. Spacer 11 and fastener 7 shown; others similar.



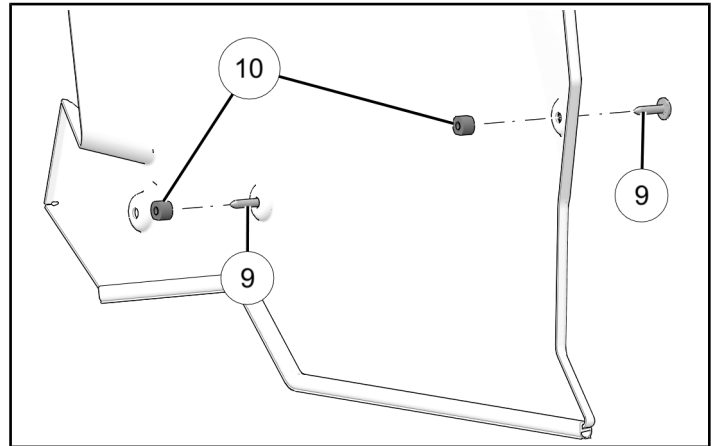
3. From inside of door, torque three shorter fasteners 7 and two longer fasteners 8 to specification.

TORQUE
Door Fasteners 7: 8 ft-lbs (11 N·m)

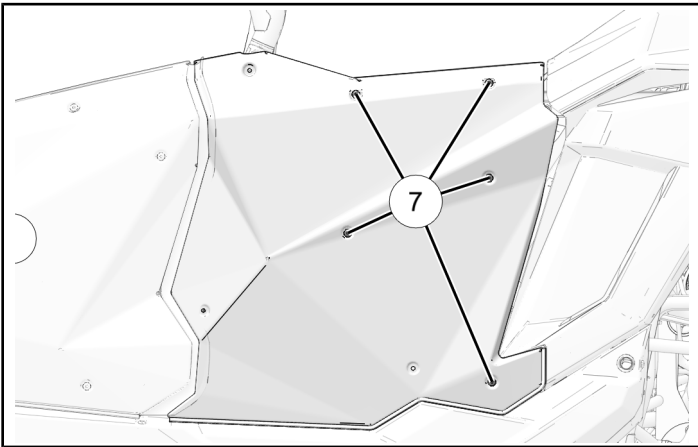
TORQUE
Door Fasteners 8: 8 ft-lbs (11 N·m)



4. Install two spacers 10 to rear door panel with two fasteners 9.



5. Align door panel with spacers and loosely install with five shorter fasteners ⑦.



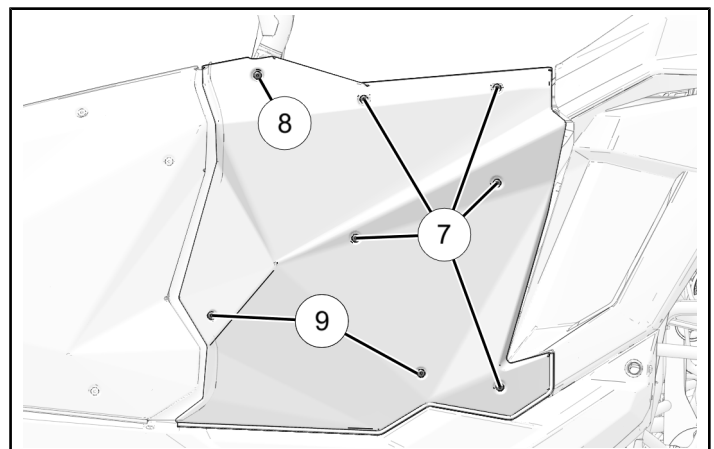
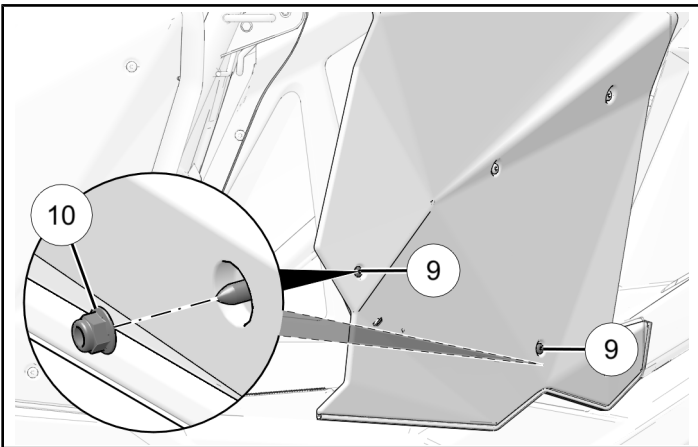
8. Counter-hold nuts (where applicable) and torque all fasteners to specification.

TORQUE
 Door Fasteners ⑦:
8 ft-lbs (11 N·m)

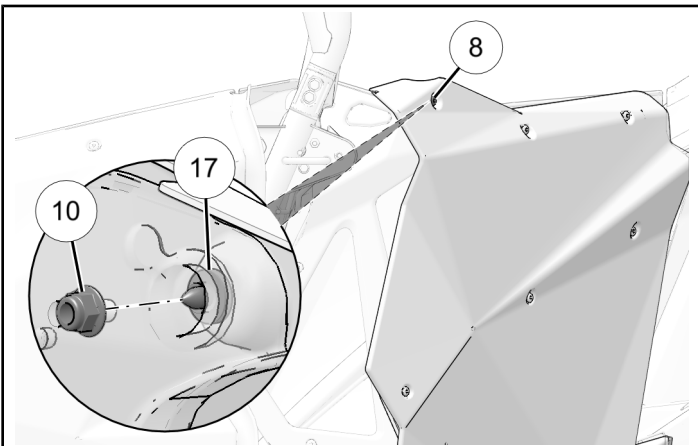
TORQUE
 Door Fasteners ⑧:
8 ft-lbs (11 N·m)

TORQUE
 Door Fasteners ⑨:
8 ft-lbs (11 N·m)

6. Install two nuts ⑩ onto two fasteners ⑨.



7. Install one spacer ⑰ between door frame and aluminum door with one fastener ⑧ with and one nut ⑩.



INSTRUCTION FEEDBACK FORM

A feedback form has been created for the installer to provide any comments, questions or concerns about the installation instructions. The form is viewable on mobile devices by scanning the QR code or by clicking [HERE](#) if viewing on a PC.

