

# PREMIUM LED HEADLIGHT KIT



**P/N 2882073**

## APPLICATION

Verify accessory fitment at [Polaris.com](http://Polaris.com).

## BEFORE YOU BEGIN

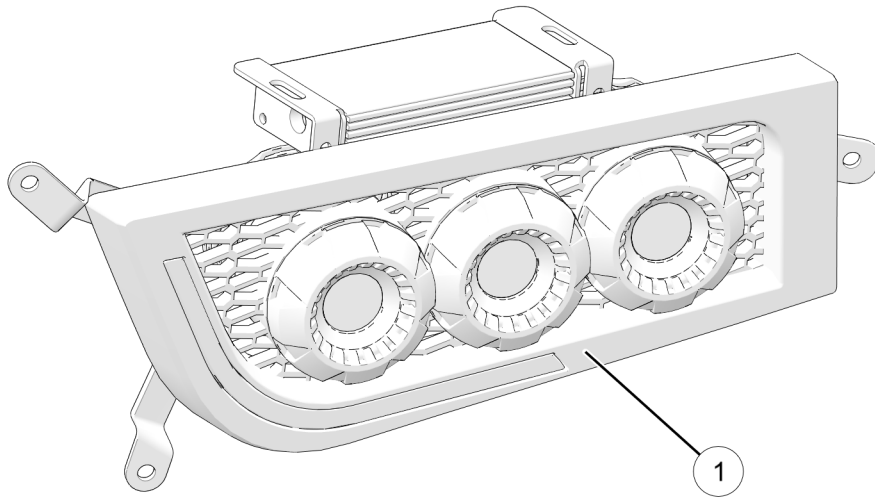
Read these instructions and check to be sure all parts and tools are accounted for. Please retain these installation instructions for future reference and parts ordering information.

## KIT CONTENTS

This Kit includes:

### NOTE

Headlights sold in pairs. LH headlight shown; RH headlight opposite.



REF	QTY	PART DESCRIPTION	PART NUMBER
1	1	Headlight, Premium LED, LH (shown)	-
	1	Headlight, Premium LED, RH (not shown)	-
2	1	Harness, Adapter, LH (not shown)	2411711
	1	Harness, Adapter, RH (not shown)	2411712
	1	Instructions	9927703

## TOOLS REQUIRED

- Safety Glasses
- Screwdriver, Slotted
- Screwdriver Set, Torx®
- Socket Set, Metric

## IMPORTANT

Your Premium LED Headlight Kit is exclusively designed for your vehicle. Please read the installation instructions thoroughly before beginning. Installation is easier if the vehicle is clean and free of debris. For your safety, and to ensure a satisfactory installation, perform all installation steps correctly in the sequence shown.

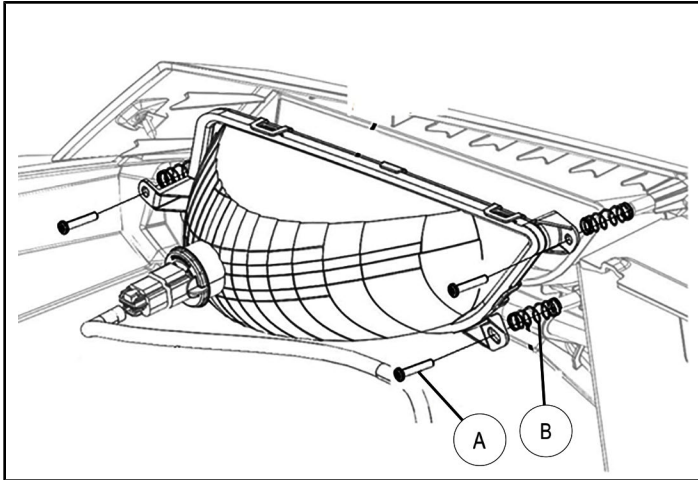
## ASSEMBLY TIME

Approximately 30–45 minutes

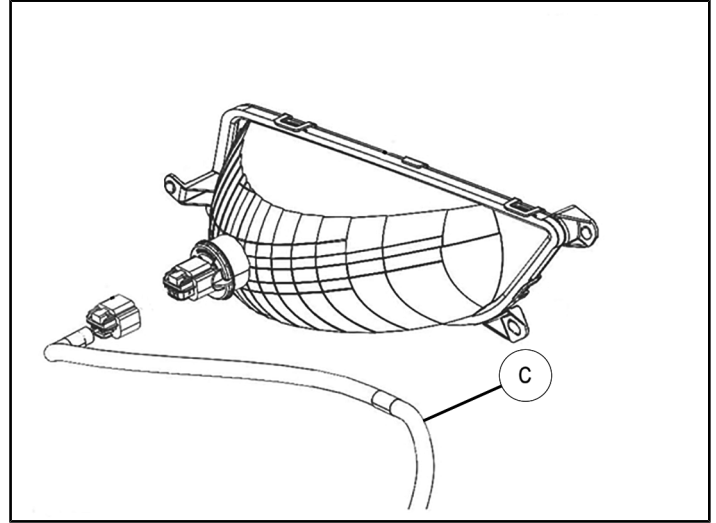
## INSTALLATION INSTRUCTIONS

### REMOVAL OF HALOGEN HEADLIGHTS

1. Shift vehicle transmission into “PARK”. Turn key to “OFF” position and remove from vehicle.
2. Remove driver’s (or left rear passenger) seat and disconnect black negative (-) cable from battery.
3. While holding headlight, remove three each headlight attach screws (A) and springs (B), then remove headlight from fascia. Retain hardware.



4. Carefully disconnect vehicle electrical harness (C) from headlight.



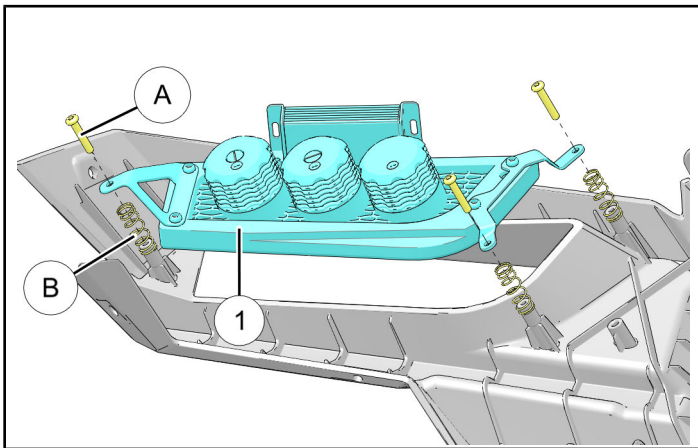
5. Repeat Steps 3–4 for opposite side of vehicle.

## INSTALLATION OF LED HEADLIGHTS

1. Remove hood.
2. Place three retained springs (B) on mounting posts, then install LED headlight (1) to posts using three retained screws (A). Do not fully tighten screws; screws will be used to perform headlight beam adjustment in Step 8 below.

### NOTE

Electrical harness(es) not shown for clarity.



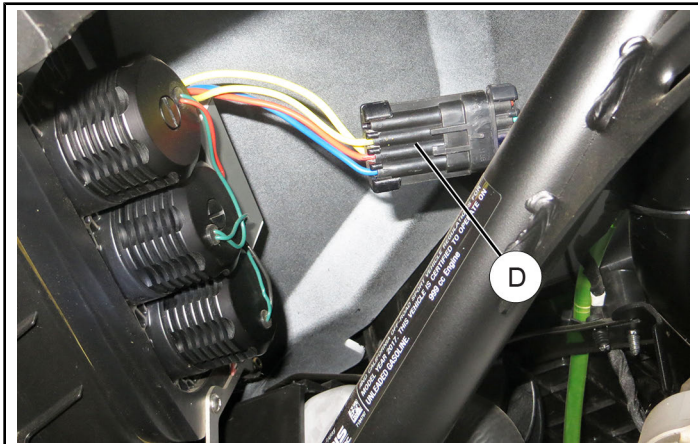
3. Connect harness(es).

### RZR XP® 1000, TURBO

Join vehicle electrical harness (C) directly to LED headlight connector (D).

### NOTE

Adapter harness (2) not used.



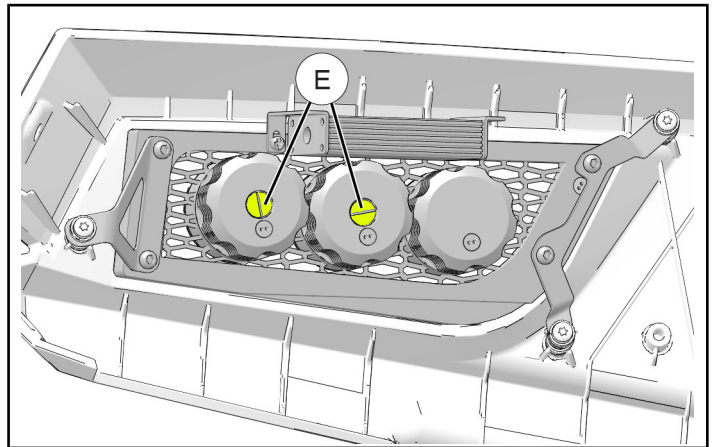
### RZR® 900, S 900, S 1000

- a. Join vehicle electrical harness (C) to adapter harness (2), ensuring proper side harness is used (LH or RH).
- b. Join adapter harness (2) to LED headlight connector (D).

4. Repeat Steps 2–3 for opposite side of vehicle.
5. Route orange wire from each LED headlight (1) to terminal block. Prevent contact with hot components, sharp edges, or moving parts.

Connect both ring terminals to post with existing ORANGE wire (accessory switched 12V POS); post may be identified as "ACC".

6. Reconnect black negative (-) cable to battery and reinstall seat.
7. Reinstall hood.
8. Perform headlight beam adjustment procedure per Owner's Manual.
9. OPTIONAL: If desired, adjust focus of two outboard LED lamps on each headlight using screws (E). Do NOT over-torque screws at either end of travel.



10. OPTIONAL: If desired, unthread (by hand) black bezel (F) on front of each headlight and replace with optional bezel (bezel pairs sold separately):

- Raw Aluminum (unpainted), PN 2882479
- White, PN 2882479-133
- Red, PN 2882479-293
- Blue, PN 2882479-689

