

BASE AUDIO KIT



P/N 2883943

IMPORTANT

Due to the technical nature of this kit, Polaris® insists this installation be performed by a certified Polaris® Technician.

APPLICATION

Verify accessory fitment at Polaris.com.

BEFORE YOU BEGIN

Read these instructions and check to be sure all parts and tools are accounted for. Please retain these installation instructions for future reference and parts ordering information.

REQUIRED SOLD SEPARATELY

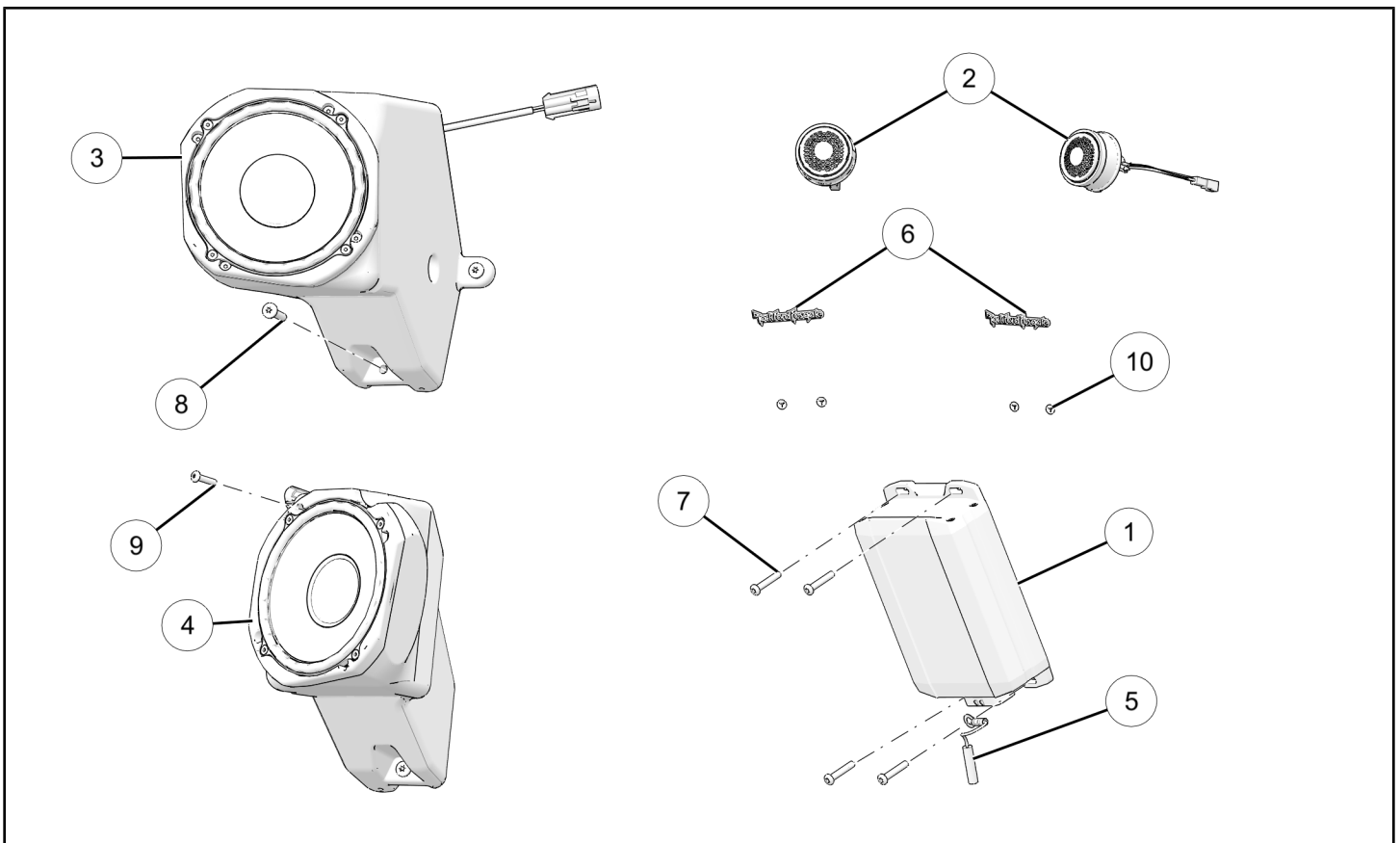
Only parts for installation of the Base Audio Kit are included. Prior installation of one of the following additional kit is required (sold separately):

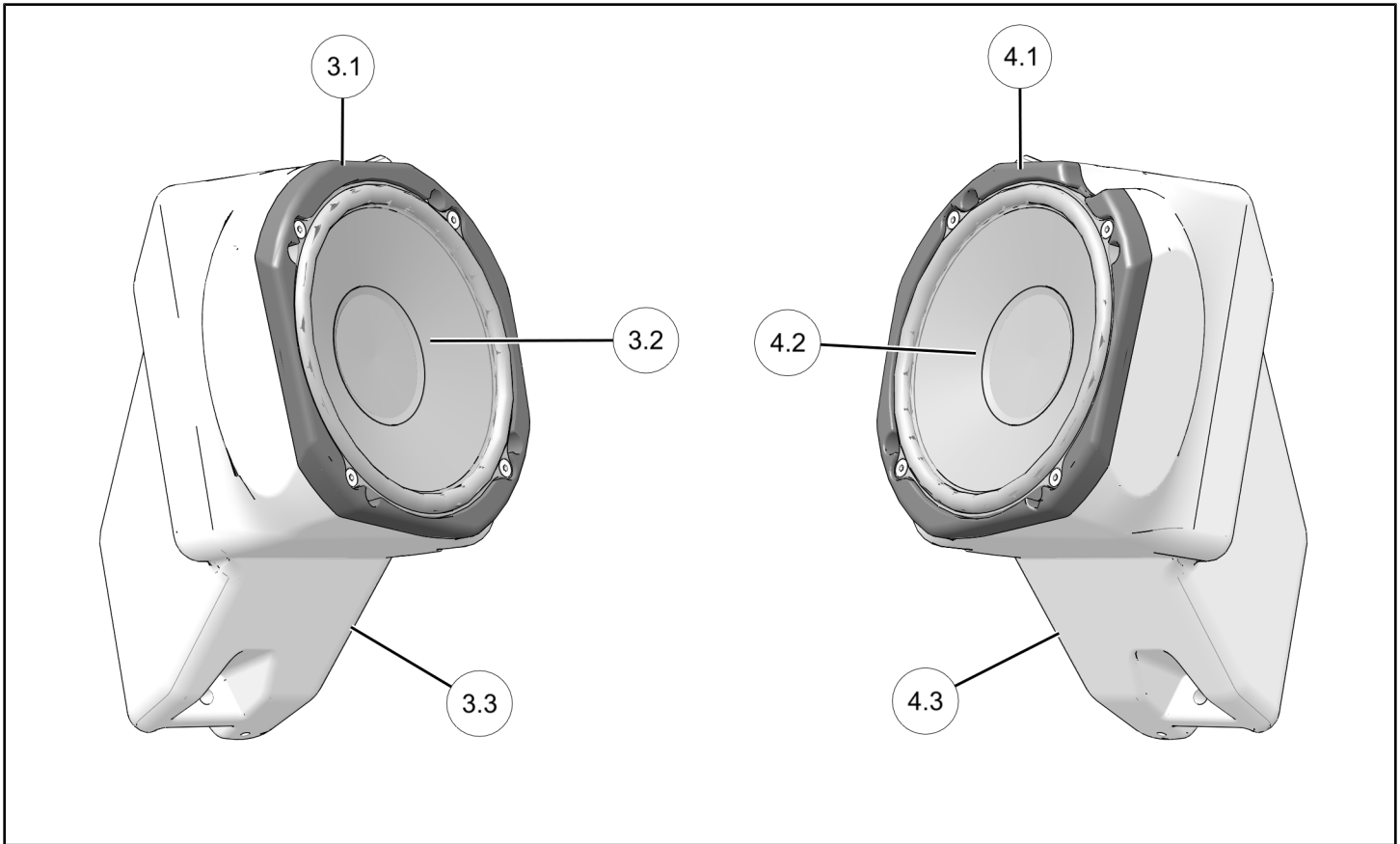
PMX Audio Kit By Rockford Fosgate®, P/N 2883964

Or

Ride Command® Mount Kit, P/N 2884073 and *Ride Command® Display Kit*, P/N 2884072

KIT CONTENTS





REF	QTY	PART DESCRIPTION	P/N AVAILABLE SEPARATELY
1	1	Assembly–Amplifier, 4 Channel	2414533
2	2	Assembly–Speaker, Tweeter	2414535
3	1	Assembly–Enclosed, Speaker, Woofer, Front, Left Hand	2414846
3.1	1	- Ring–Mating, Speaker, Front, Left Hand	n/a
3.2	1	- Assembly–Speaker, Woofer	2414536
3.3	1	- Housing–Speaker, Front, Left Hand	n/a
4	1	Assembly–Enclosed, Speaker, Woofer, Front, Right Hand	2414847
4.1	1	- Ring–Mating, Speaker, Front, Right Hand	n/a
4.2	1	- Assembly–Speaker, Woofer	2414536
4.3	1	- Housing–Speaker, Front, Left Hand	n/a
5	1	Jumper, Amp Ground	4018709
6	2	Badge, Grille, Rockford Fosgate®	5456145
7	4	Screw–Torx® Pan Head, M10 x 1	7512078
8	4	Screw–Torx® Pan Head, #14 x 1.0, HI/LO	7518158
9	8	Screw–Hex Button Head, M5 x 0.8 x 22	7520223
10	4	Nut, Push, Badge	7547973

TOOLS REQUIRED

- Safety Glasses
- Screwdriver Set, Torx®
- Socket Set, Torx® Bit
- Torque Wrench

IMPORTANT

Your Base Audio Kit is exclusively designed for your vehicle. Please read the installation instructions thoroughly before beginning. Installation is easier if the vehicle is clean and free of debris. For your safety, and to ensure a satisfactory installation, perform all installation steps correctly in the sequence shown.

INSTALLATION INSTRUCTIONS

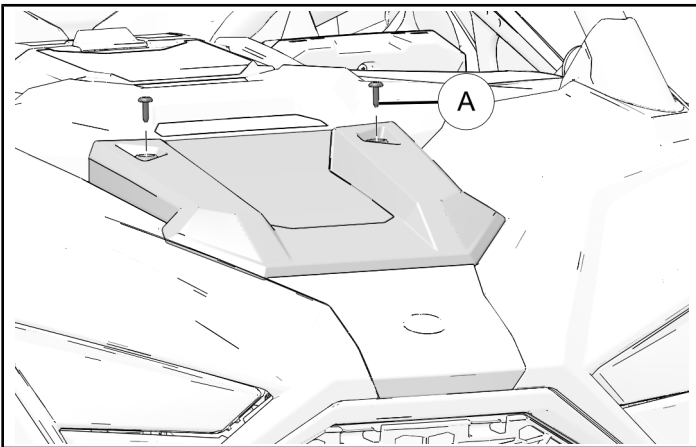
VEHICLE PREPARATION

GENERAL

1. Shift vehicle transmission into PARK. Turn key to OFF position and remove from vehicle.

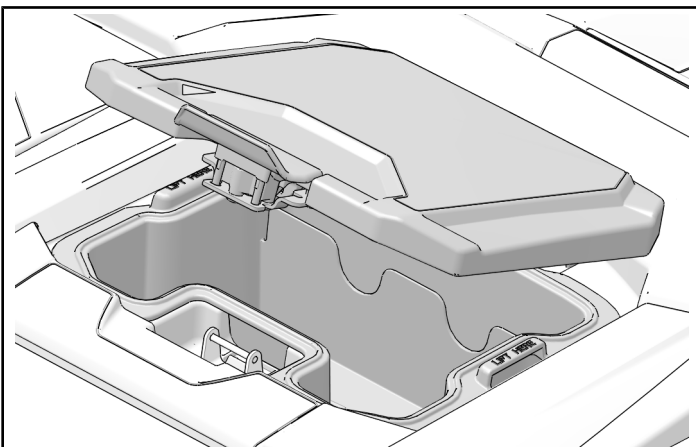
CENTER HOOD PANEL REMOVAL

1. Remove and retain two hood fasteners (A). Slide hood towards rear of vehicle to remove.

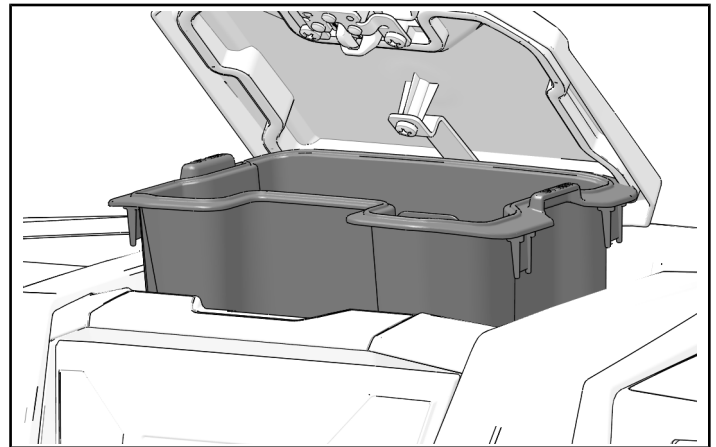


DASHBOARD STORAGE REMOVAL

1. Open center dashboard storage compartment.



2. Remove storage compartment from dashboard.

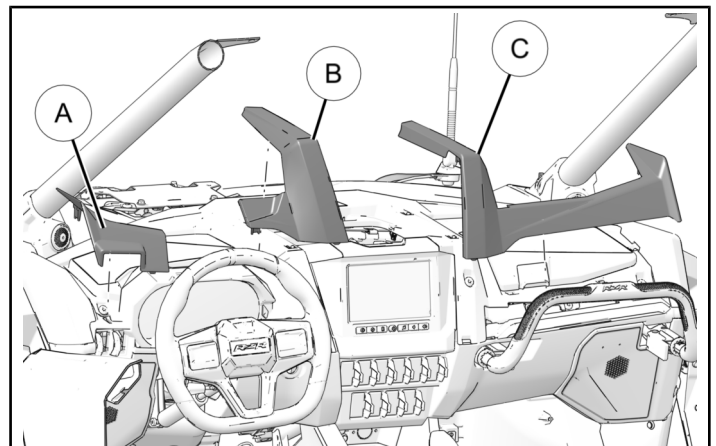


DASHBOARD TOP REMOVAL

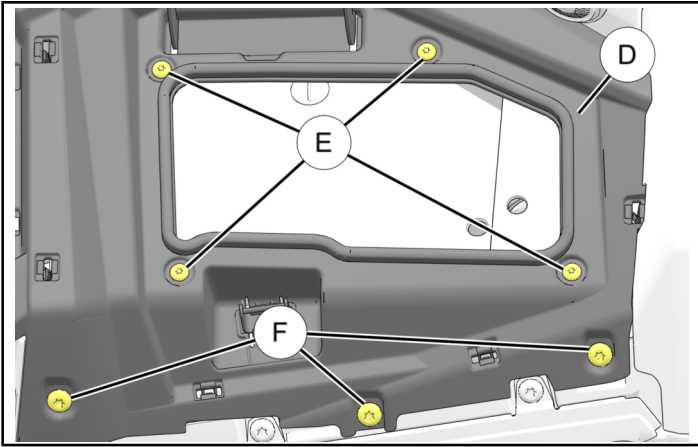
1. Carefully pull up to remove and retain left (A), center (B), and right (C) dash trim pieces.

TIP

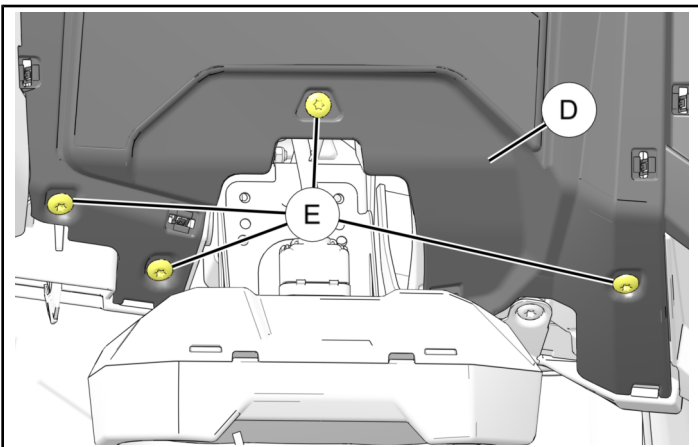
Release steering tilt lock for better access.



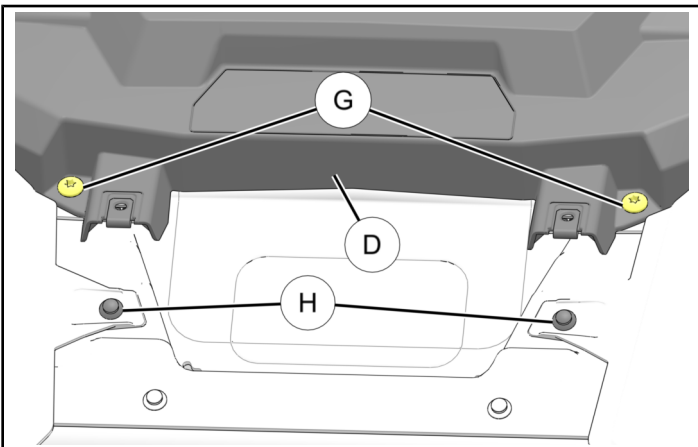
- Open glove box lid. Remove and retain four screws (E) around glove box opening and three screws (F) from front of dashboard top (D). Make note of different screw sizes.



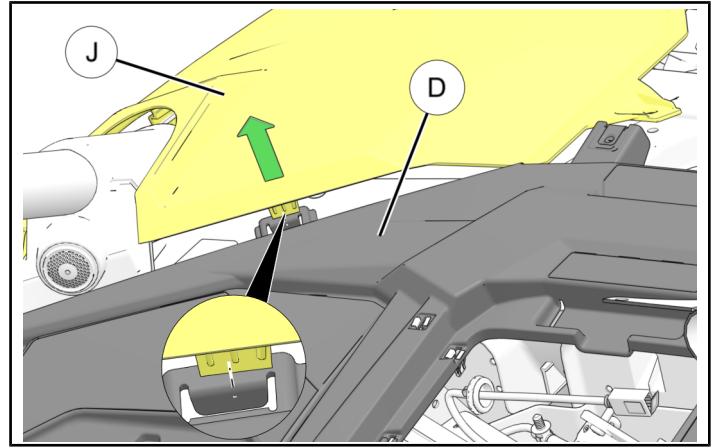
- Tilt steering wheel down. Remove and retain four screws (E) from dashboard top (D).



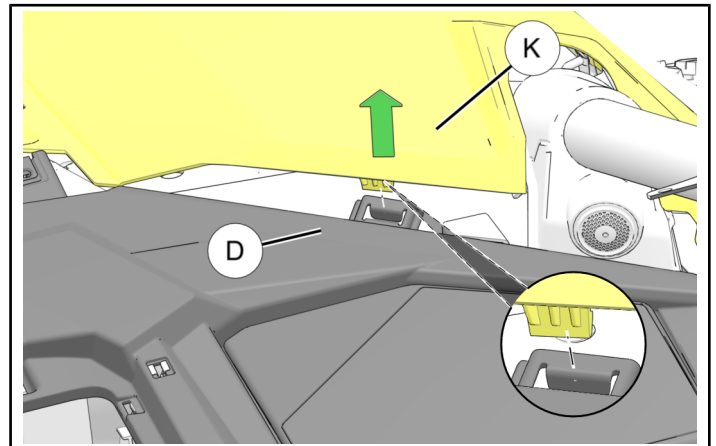
- On front of vehicle, near rear edge of center hood panel opening, remove and retain two screws (G) from dashboard top (D). Remove and retain two pushpin rivets (H) from front side panels.



- Carefully lift edge of left front fender (J) to release tab from dashboard top (D) as shown.

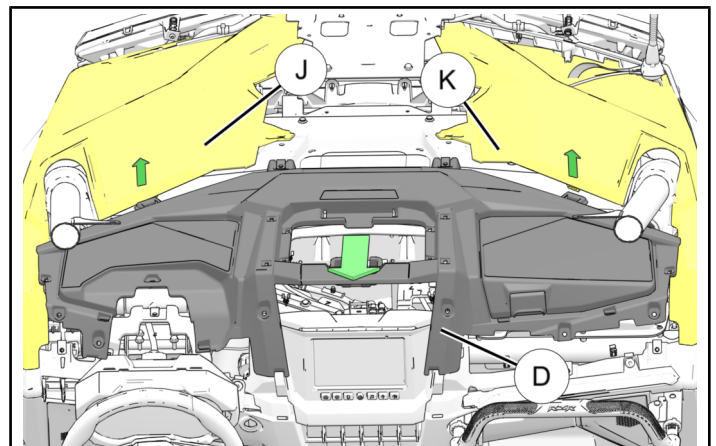


- Carefully lift edge of right front fender (K) to release tab from dashboard top (D) as shown.



- Carefully keep panels (J) and (K) up and away from tabs and remove dashboard top (D) by tilting rear section up and pulling out toward rear.

TIP
Have a second person to hold panels up.



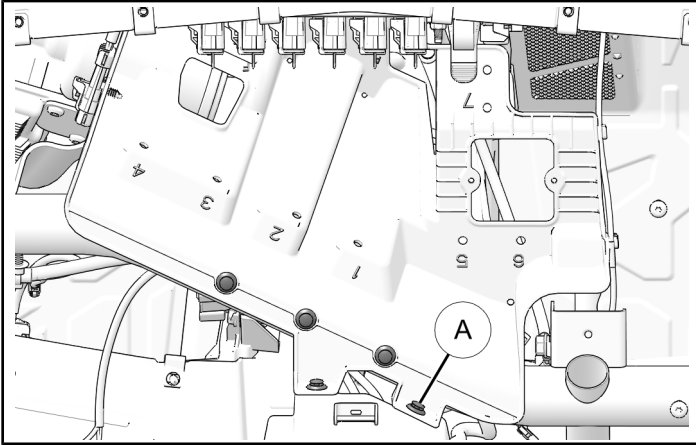
ACCESSORY INSTALLATION

AMPLIFIER INSTALLATION

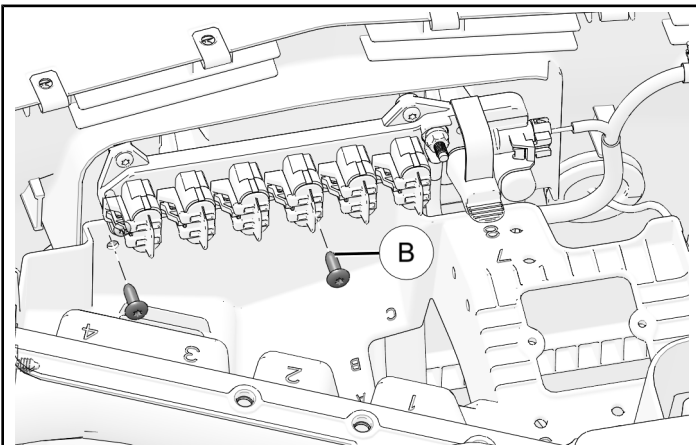
IMPORTANT

Disconnect audio harness from Polaris Pulse® bar and accessory mounting panel before proceeding with amplifier installation.

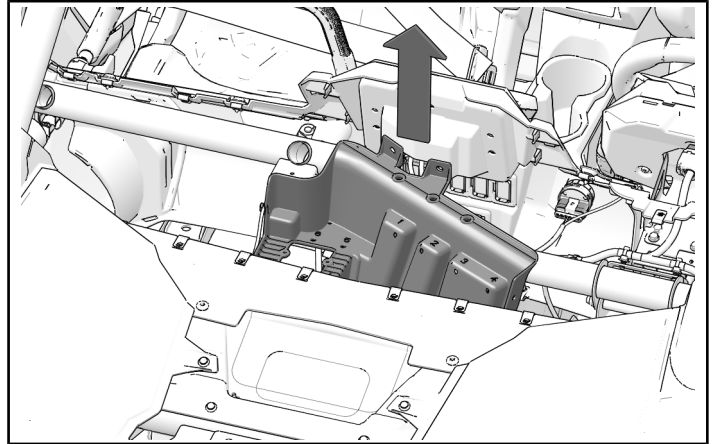
1. Remove and retain five push-pin rivets (A) from accessory mounting panel.



2. Remove and retain two mounting panel fasteners (B).



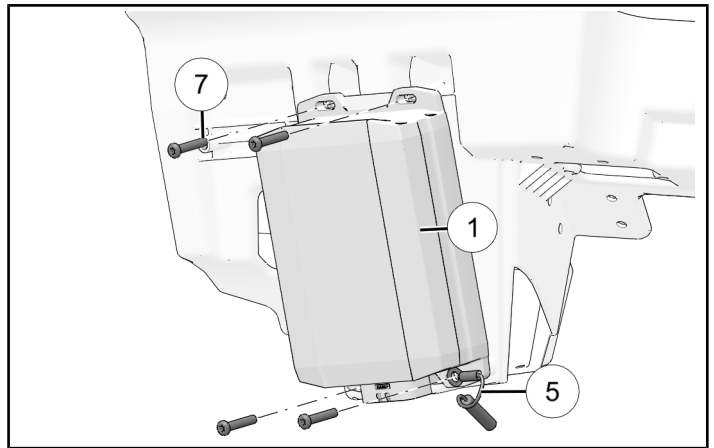
3. Maneuver accessory mounting panel from beneath Polaris Pulse® bar and remove from vehicle.



4. Install amplifier (1) onto accessory mounting panel with four amplifier fasteners (7). Pass bottom-right fastener through ground jumper (5) before passing through amplifier. Ensure amplifier connector is facing downward.

TORQUE

Amplifier Fasteners (7):
36 in-lbs (4 N·m)

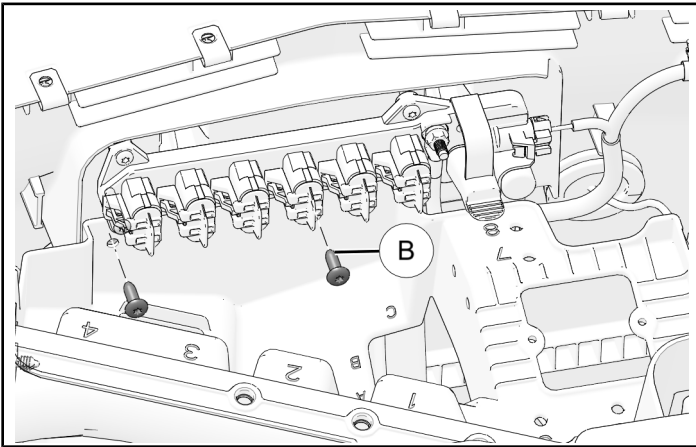


5. Return accessory mounting panel, with amplifier installed, to install position.

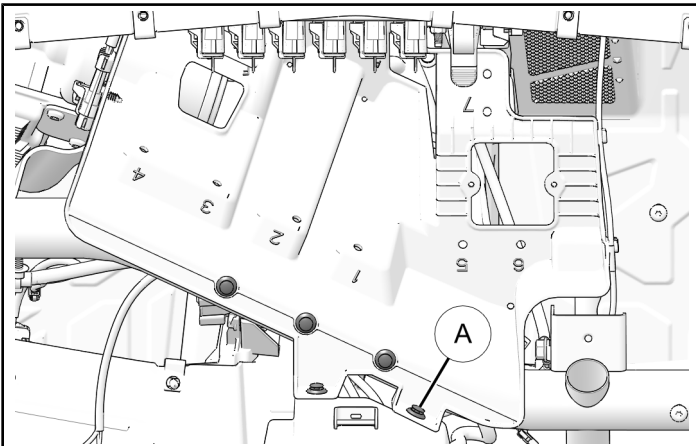
- Secure front of accessory mounting panel with two retained fasteners (B).

TORQUE

Accessory Mounting Panel Fasteners (B):
27 in-lbs (3 N·m)



- Reinstall rear of accessory mounting panel with five retained push-pin rivets (A).

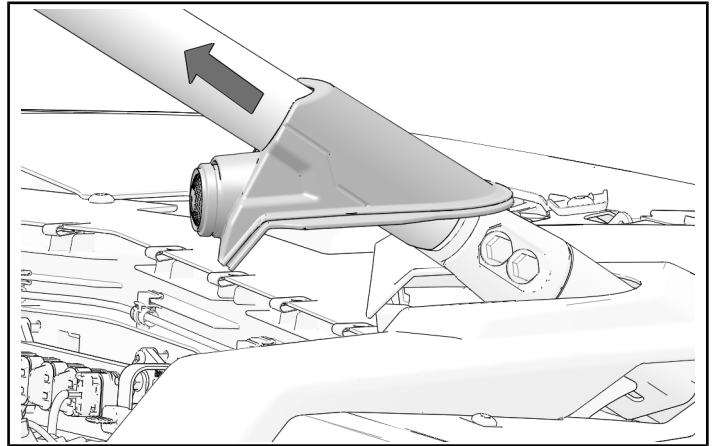


- Reinstall audio harness to accessory mounting panel and Polaris Pulse® bar.

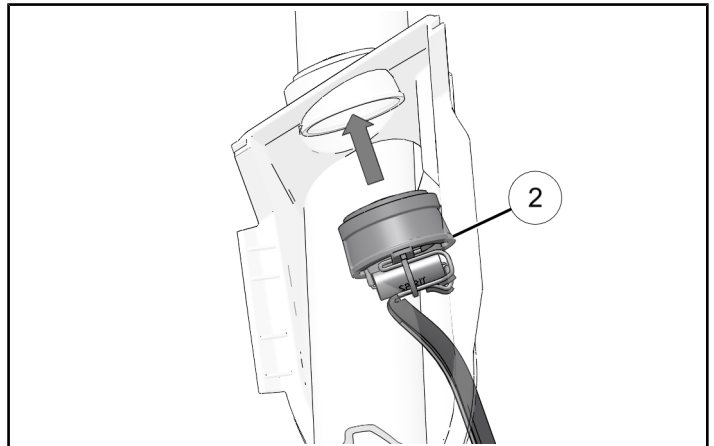
TWEETER SPEAKER INSTALLATION

RIGHT TWEETER INSTALLATION

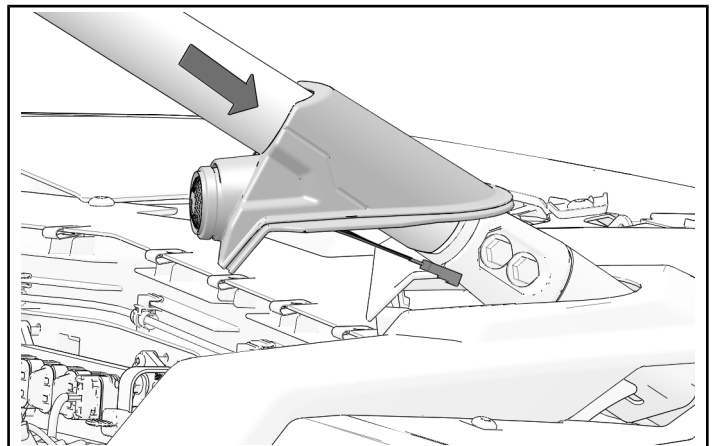
- Slide A-pillar cover upwards along ROPS.



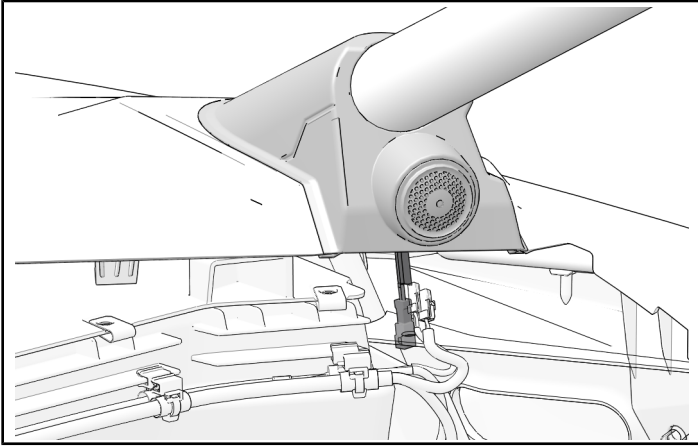
- From underside of A-pillar cover, insert one tweeter speaker (2) into tweeter cover.



- Lower A-pillar cover down and reinstall.



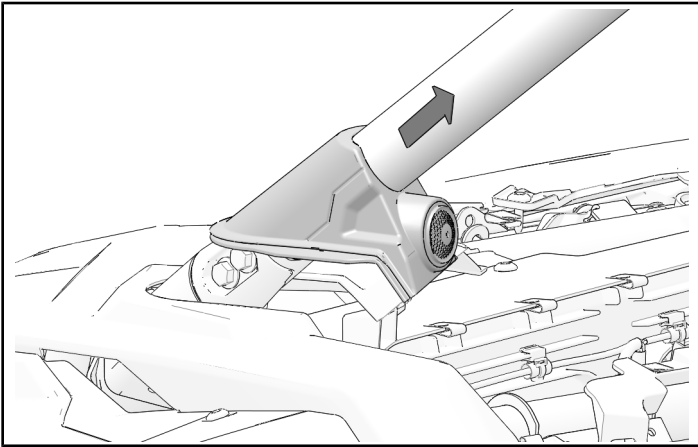
4. Ensure tweeter cable routes into under-dash-board. Ensure A-pillar cover is completely seated into body plastic.



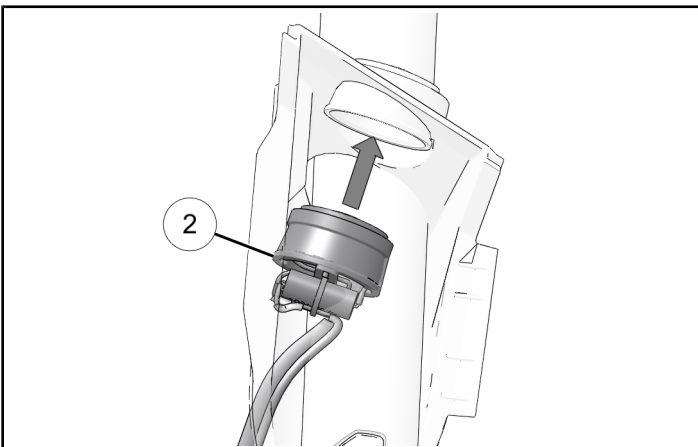
5. Join tweeter connector to audio harness.

LEFT TWEETER INSTALLATION

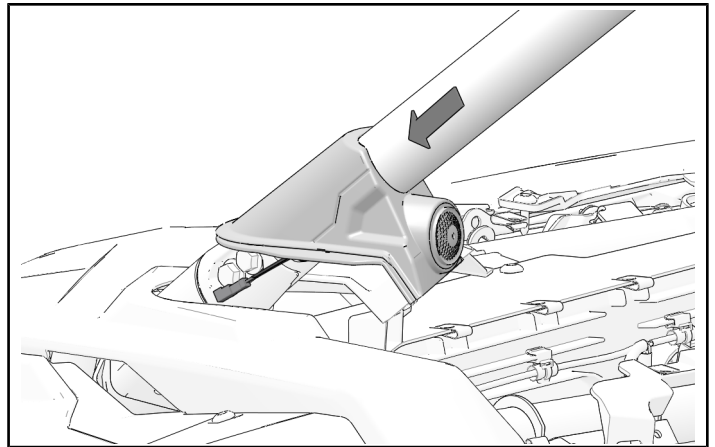
1. Slide A-pillar cover upwards along ROPS.



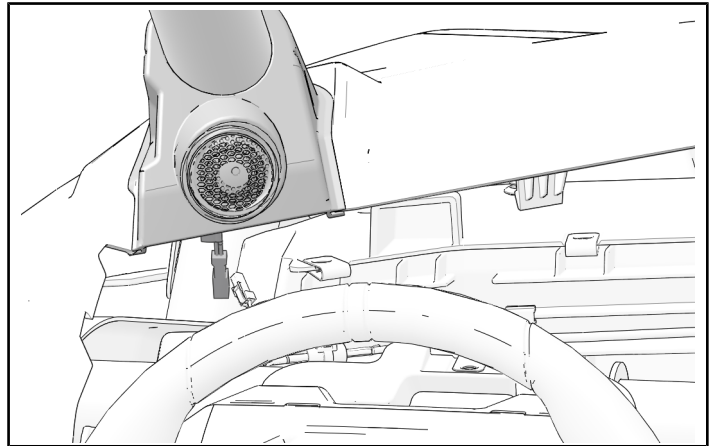
2. From underside of A-pillar cover, insert one tweeter speaker ② into tweeter cover.



3. Lower A-pillar cover down and reinstall.



4. Ensure tweeter cable routes into under-dash-board. Ensure A-pillar cover is completely seated into body plastic.

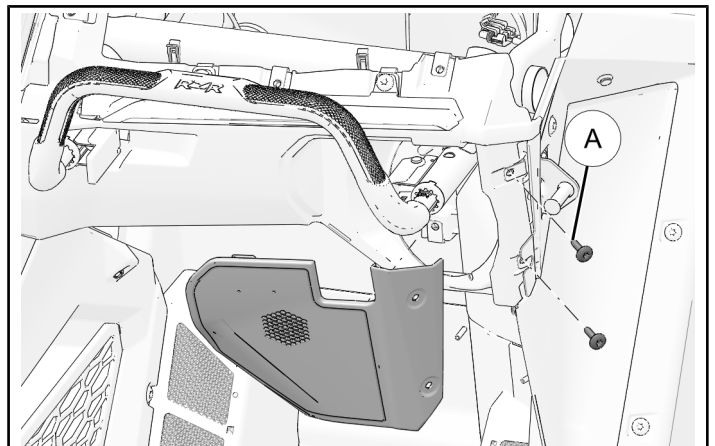


5. Join tweeter connector to audio harness.

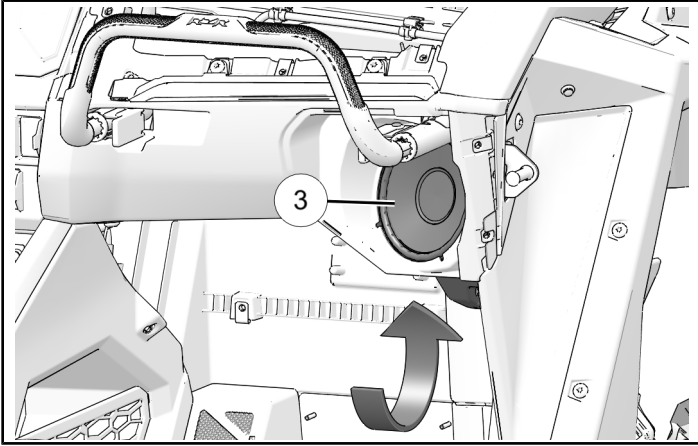
DRIVER SPEAKER INSTALLATION

RIGHT DRIVER INSTALLATION

1. Remove and retain two speaker grille fasteners ① to remove speaker panel from vehicle.



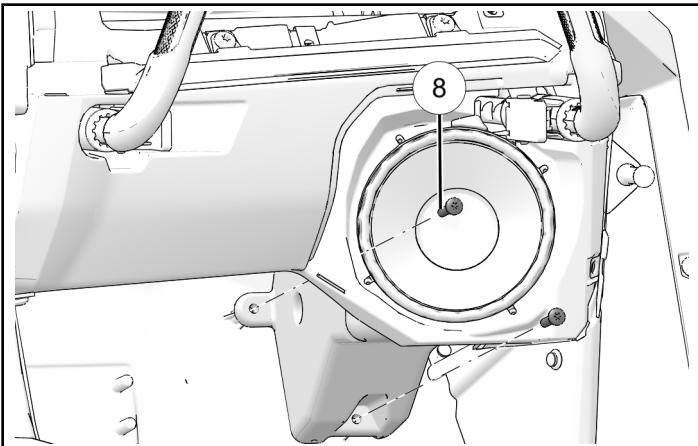
2. Tilt right-hand driver assembly ③ up-and-into installed position. Ensure driver cable routes upwards into under-dashboard.



3. Loosely install speaker with two speaker fasteners ⑧. After both fasteners are installed, torque fasteners to specification.

TORQUE

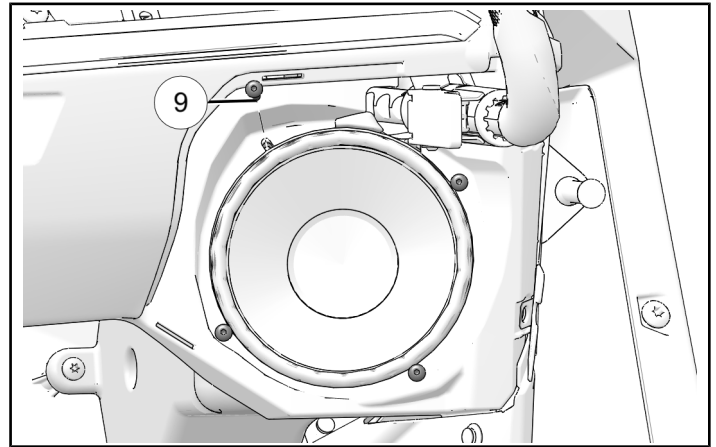
Driver Fasteners ⑧ (speaker to front cab panel):
89 in-lbs (10 N·m)



4. Install speaker to dashboard panel with four fasteners ⑨.

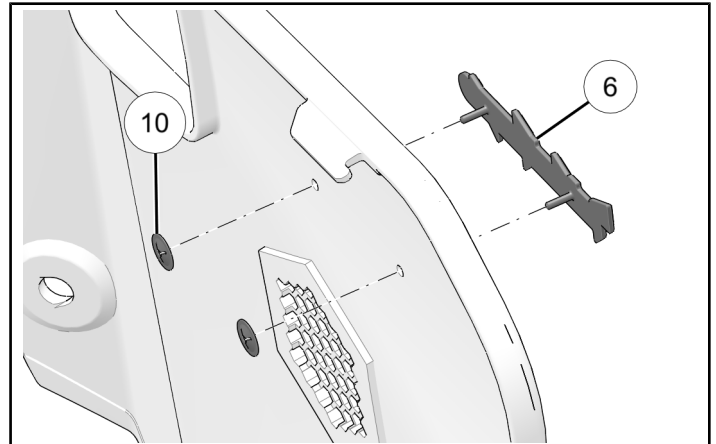
TORQUE

Driver Fasteners ⑨ (dashboard to speaker):
36 in-lbs (4 N·m)



5. Join driver connector to audio harness.

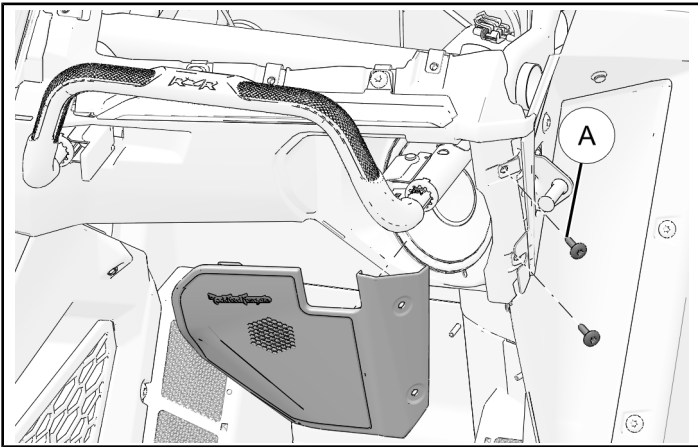
6. Install Rockford Fosgate® badge ⑥ onto speaker panel with two push nuts ⑩.



7. Reinstall speaker panel with two retained fasteners (A).

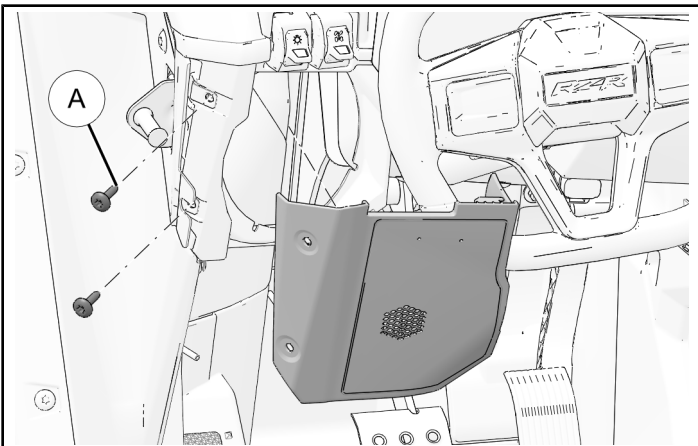
TORQUE

Speaker Panel Fasteners (A):
89 in-lbs (10 N·m)

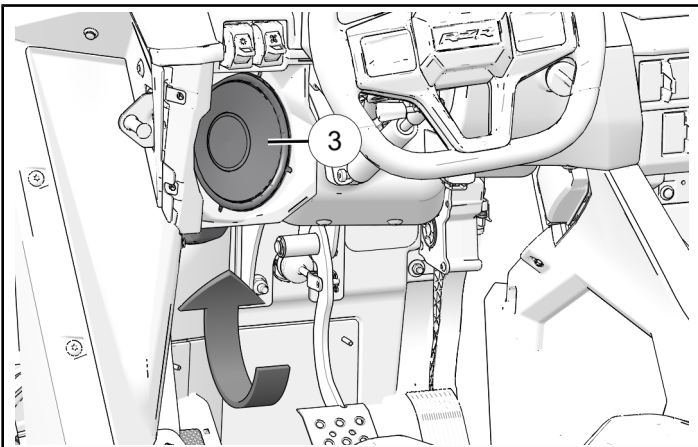


LEFT DRIVER INSTALLATION

1. Remove and retain two speaker panel fasteners (A) to remove speaker panel from vehicle.



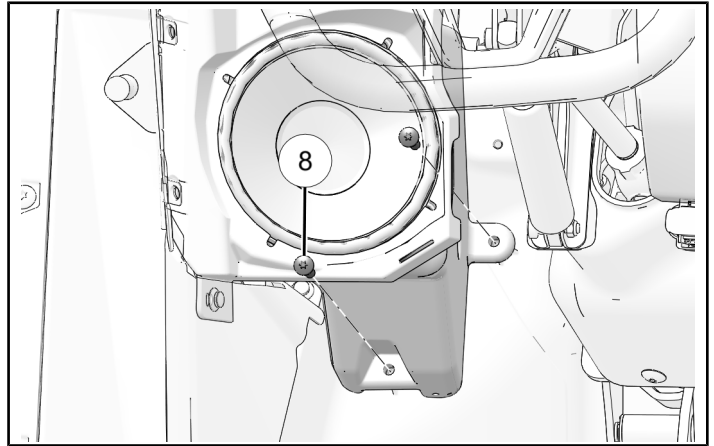
2. Tilt right-hand driver assembly (3) up-and-into installed position. Ensure driver cable routes upwards into under-dashboard.



3. Loosely install speaker with two speaker fasteners (8). After both fasteners are installed, torque fasteners to specification.

TORQUE

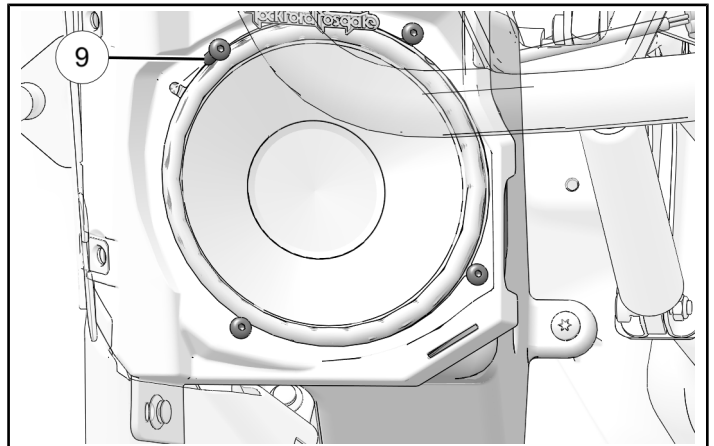
Driver Fasteners (8) (speaker to front cab panel):
89 in-lbs (10 N·m)



4. Install speaker to dashboard panel with four fasteners (9).

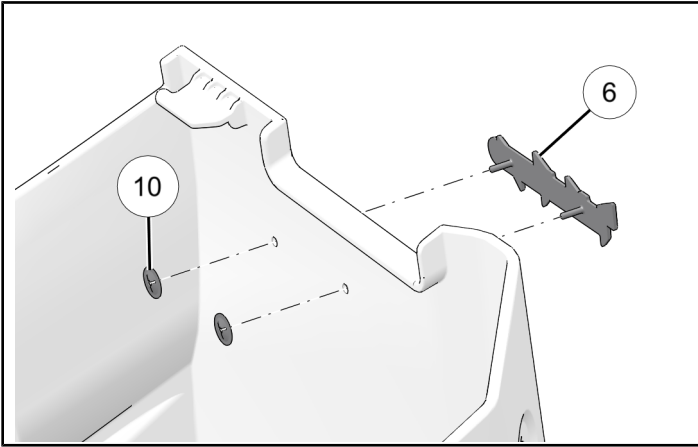
TORQUE

Driver Fasteners (9) (dashboard to speaker):
36 in-lbs (4 N·m)



5. Join driver connector to audio harness.

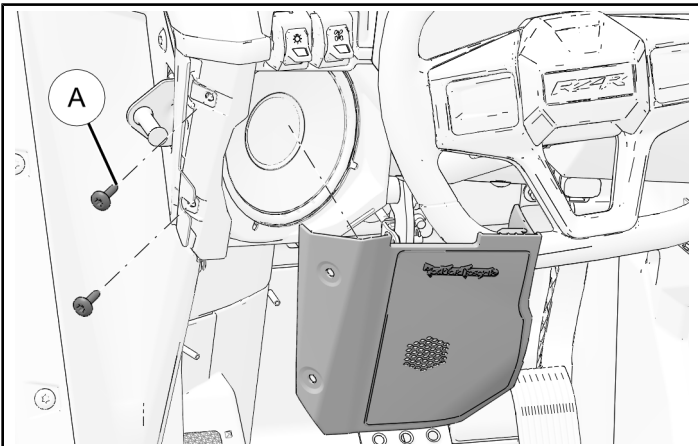
6. Install Rockford Fosgate® badge ⑥ onto speaker panel with two push nuts ⑩.



7. Reinstall speaker panel with two retained fasteners ①.

TORQUE

Speaker Panel Fasteners ①:
89 in-lbs (10 N·m)



VEHICLE REASSEMBLY

GENERAL

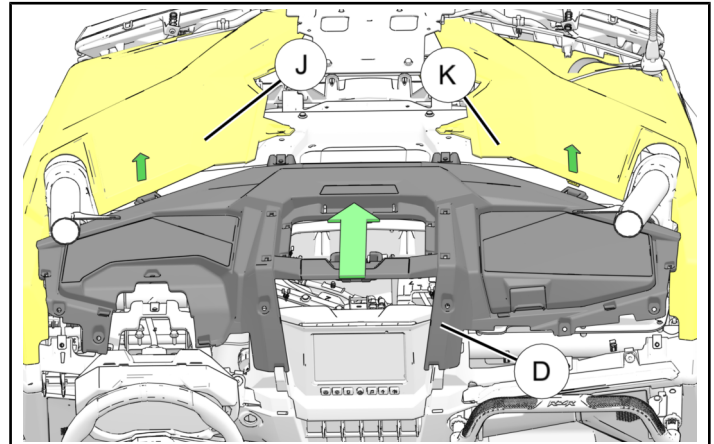
1. Ensure speakers operate properly before proceeding with reassembling vehicle.

DASHBOARD TOP INSTALLATION

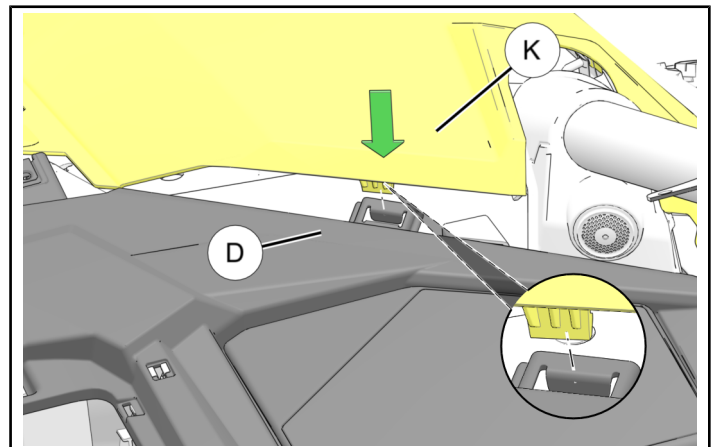
1. Carefully lift panels ① and ② up and away from tabs and install dashboard top ③ into place by tilting rear section up and installing front section first, then lower rear section into place.

TIP

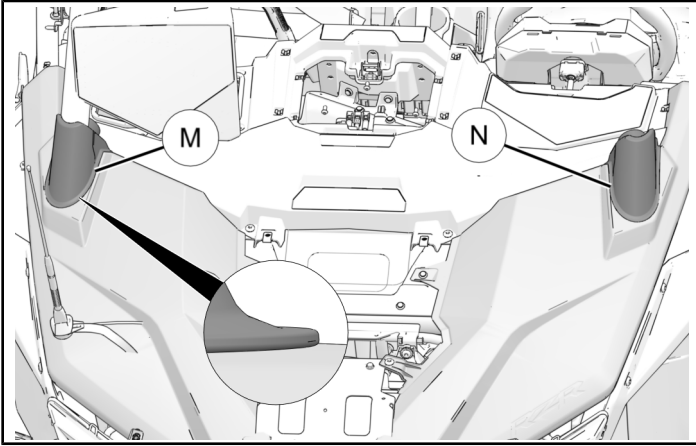
Have a second person to hold panels up.



2. Ensure that tabs on panels ① and ② are aligned in slots on dashboard top ③. (Only panel ② shown. Panel ① is similar.)



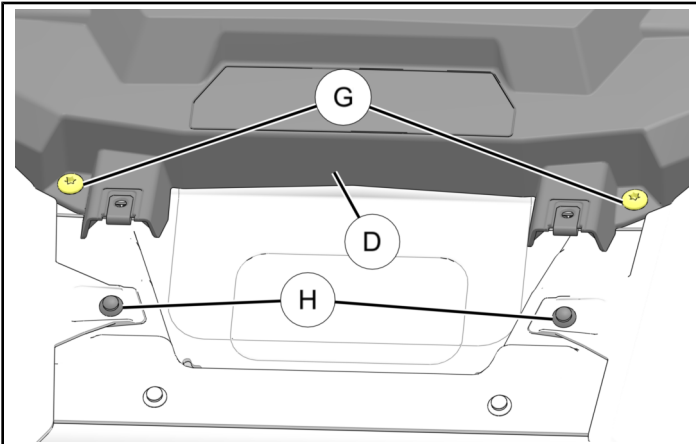
3. Ensure that both right (M) and left (N) rubber boots are properly installed. Only upper lip should be visible, as shown with inset.



4. Reinstall two retained screws (G) into front edge of dashboard top (D) and two retained pushpin rivets (H). Torque screws to specification.

TORQUE

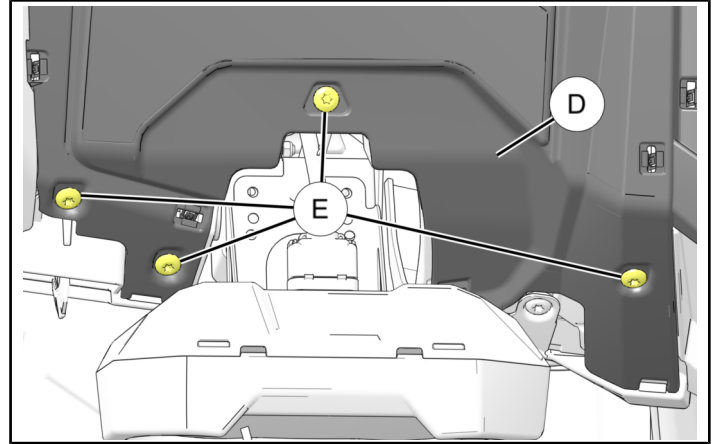
Screw (G):
88 in-lbs (10 N·m)



5. Tilt steering wheel down. Install four retained screws (E) through dashboard top and torque to specification.

TORQUE

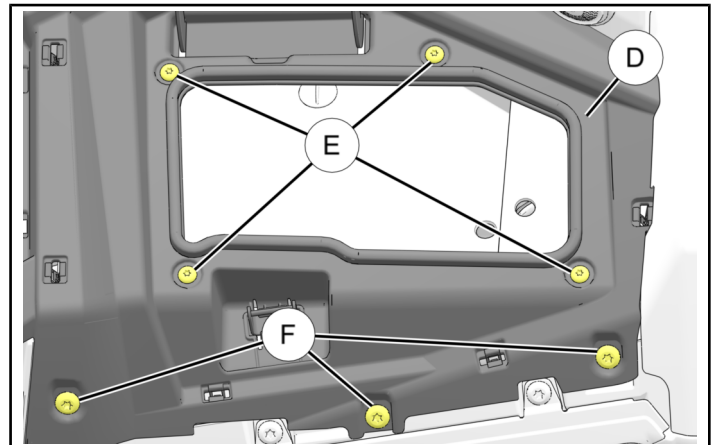
Screw (E):
88 in-lbs (10 N·m)



6. Open glove box lid. Install four retained screws (E) around glove box opening and three retained screws (F) in front of dashboard top (D). Torque screws to specification.

TORQUE

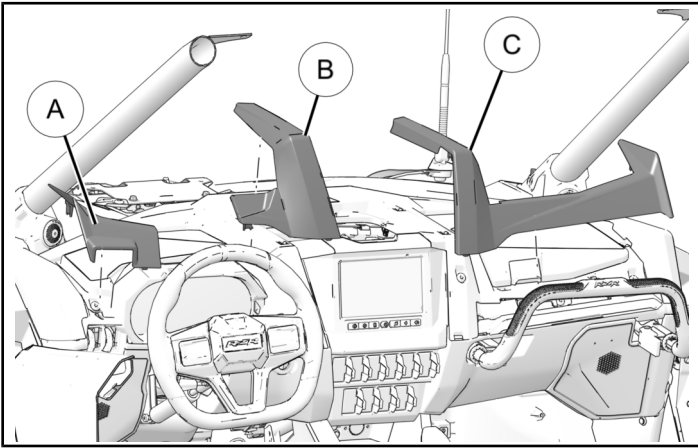
Screw (E) and (F):
88 in-lbs (10 N·m)



7. Install retained left (A), center (B), and right (C) dash trim pieces.

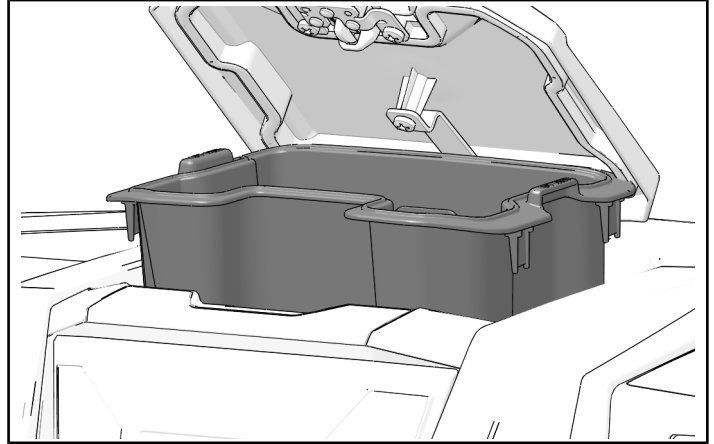
TIP

Release steering tilt lock for better access.



DASHBOARD STORAGE INSTALLATION

1. Slide storage compartment into dashboard cavity.

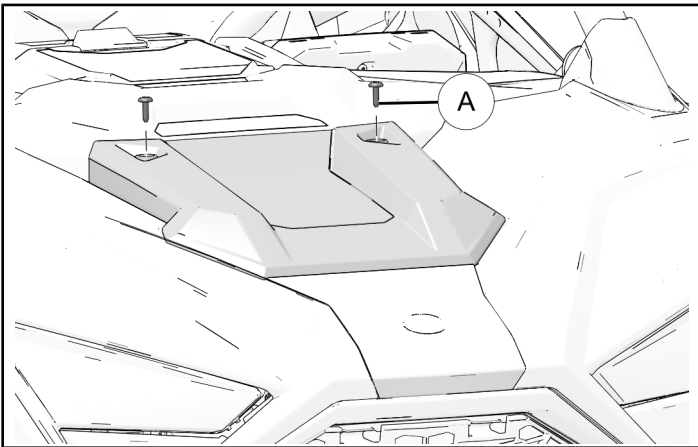


CENTER HOOD PANEL INSTALLATION

1. Slide panel forward until tabs slide into front hood panel and install with two hood fasteners (A).

TORQUE

Hood Fasteners (A):
89 in-lbs (10 N·m)



FEEDBACK FORM

A feedback form has been created for the installer to provide any comments, questions or concerns about the installation instructions. The form is viewable on mobile devices by scanning the QR code or by clicking [HERE](#) if viewing on a PC.

