

REAR SPEAKERS KIT



P/N 2883944

APPLICATION

Verify accessory fitment at [Polaris.com](https://www.polaris.com).

BEFORE YOU BEGIN

Read these instructions and check to be sure all parts and tools are accounted for. Please retain these installation instructions for future reference and parts ordering information.

REQUIRED SOLD SEPARATELY

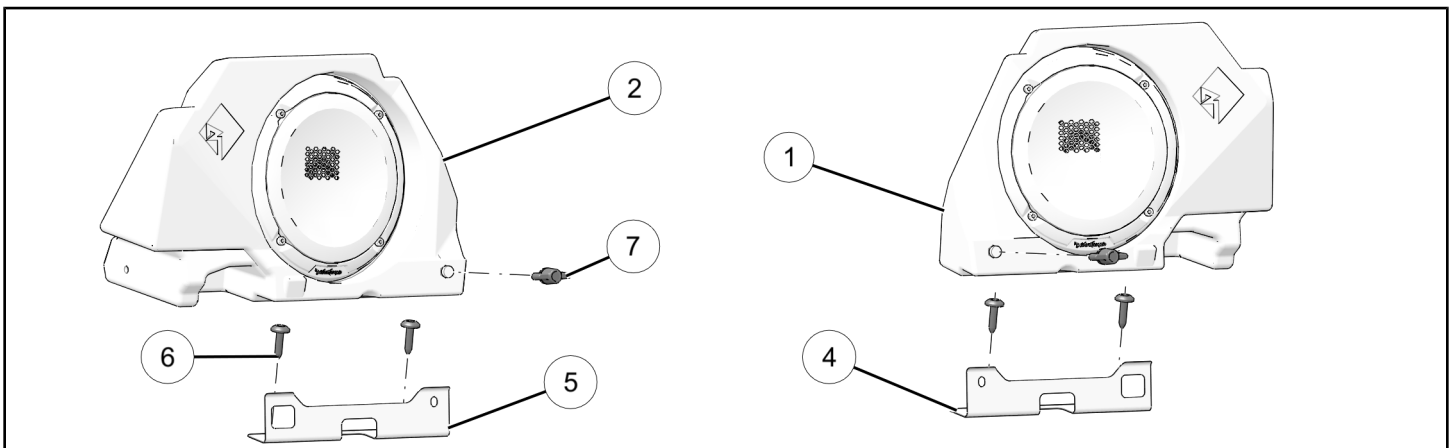
Only parts for installation of the Rear Speakers Kit are included. Prior installation of the following kit is also required (sold separately):

PMX Audio Kit by Rockford Fosgate®, P/N 2883964

Or

Ride Command® Mount Kit, P/N 2884073 and *Ride Command® Display*, P/N 2884072

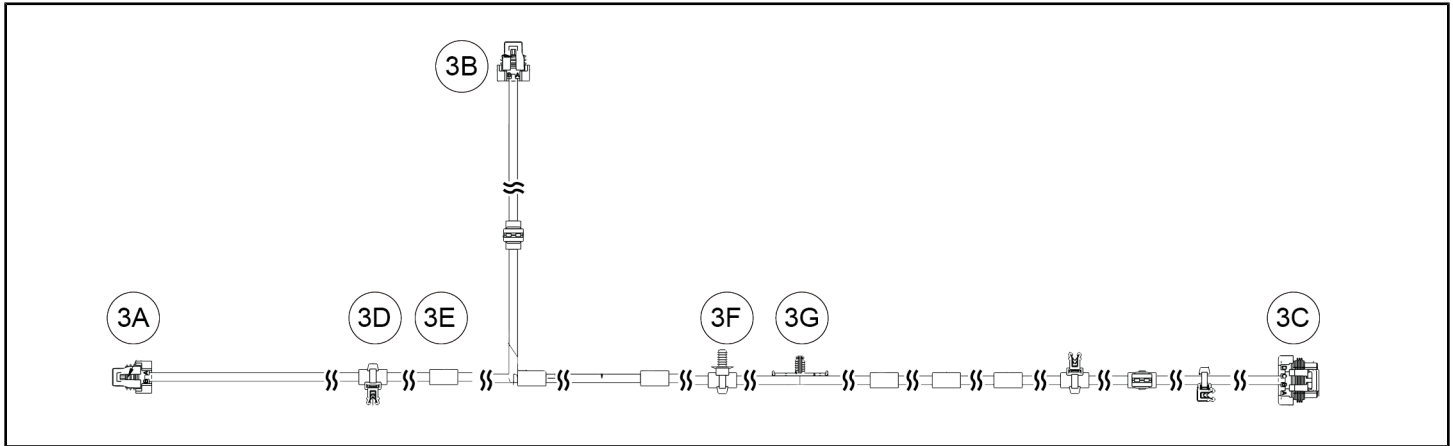
KIT CONTENTS



REF	QTY	PART DESCRIPTION	P/N AVAILABLE SEPARATELY
1	1	Assembly–Enclosed Speaker, Coaxial, Rear, Left-Hand	2414848
2	1	Assembly–Enclosed Speaker, Coaxial, Rear, Right-Hand	2414849
3	1	Harness–Audio, Rear	2415152
4	1	Bracket–Speaker, Rear, Left-Hand	5268689-458
5	1	Bracket–Speaker, Rear, Right-Hand	5268690-458
6	4	Screw–Torx® Truss Head, M6 x 1.0 mm x 25 mm	7519650
7	2	Knob, M6 x 1.0 mm x 15 mm	7521155
8	6	Cable Tie (not shown)	7080138
9	7	Clip–Routing (not shown)	7081496
10	1	Clip–Edge, Harness (not shown)	7081890

HARNESS DETAIL

AUDIO HARNESS, P/N 2415152



REF	PART DESCRIPTION	PIN QTY/ GENDER	CONNECTS TO
3A	Connector–Speaker, Rear, Right-Hand	2 Pin Female	Assembly–Enclosed Speaker, Coaxial, Rear, Right-Hand
3B	Connector–Speaker, Rear, Left-Hand	2 Pin Female	Assembly–Enclosed Speaker, Coaxial, Rear, Left-Hand
3C	Connector–Audio Input	4 Pin Female	Basic Audio Harness, Ride Command® Harness, or chassis audio harness
3D	Clip–Routing	—	Vehicle structure
3E	Tape–White	—	Identifies installation location for cable tie
3F	Clip–Cable Tie, Push Mount	—	Vehicle structure
3G	Clip–Push Mount	—	Vehicle structure

TOOLS REQUIRED

- Safety Glasses
- Pliers, Push Pin Rivet
- Screwdriver Set, Torx®
- Socket Set, Torx® Bit
- Socket Set, Metric
- Torque Wrench
- Wrench Set, Metric

IMPORTANT

Your Rear Speakers Kit is exclusively designed for your vehicle. Please read the installation instructions thoroughly before beginning. Installation is easier if the vehicle is clean and free of debris. For your safety, and to ensure a satisfactory installation, perform all installation steps correctly in the sequence shown.

INSTALLATION INSTRUCTIONS

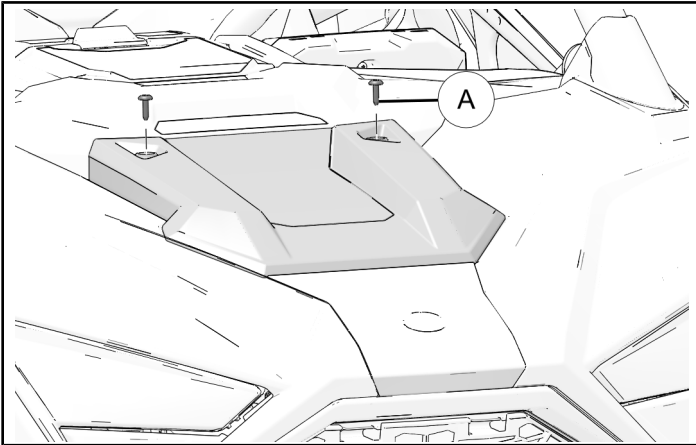
VEHICLE PREPARATION

GENERAL

1. Shift vehicle transmission into PARK. Turn key to OFF position and remove from vehicle.

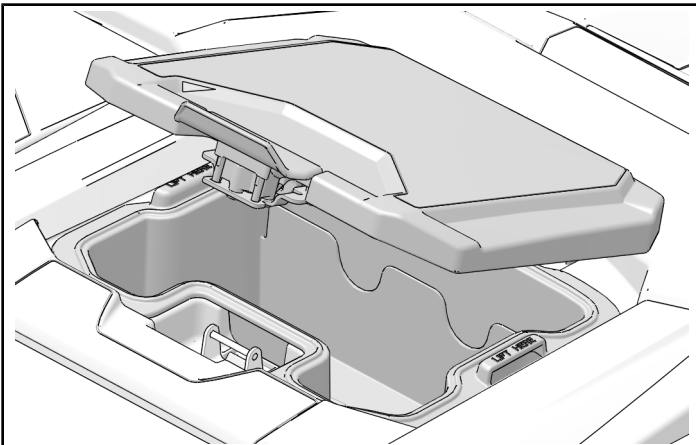
CENTER HOOD PANEL REMOVAL

1. Remove and retain two hood fasteners (A). Slide hood towards rear of vehicle to remove.



DASHBOARD STORAGE REMOVAL

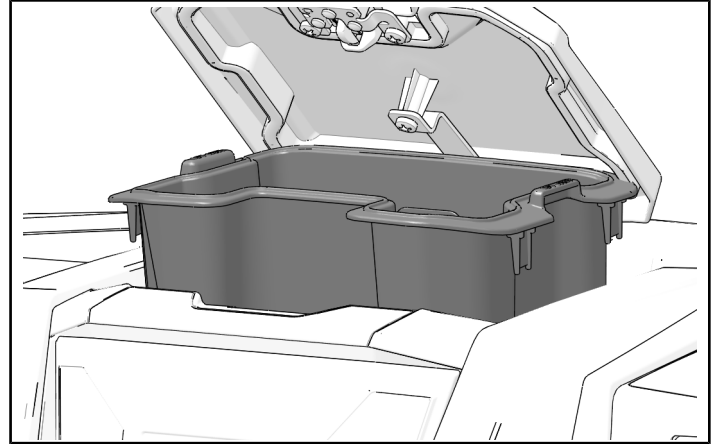
1. Open center dashboard storage compartment.



2. Remove storage compartment from dashboard.

TIP

If removing storage compartment is difficult, carefully use tool to pry storage compartment upwards where marked "LIFT HERE."

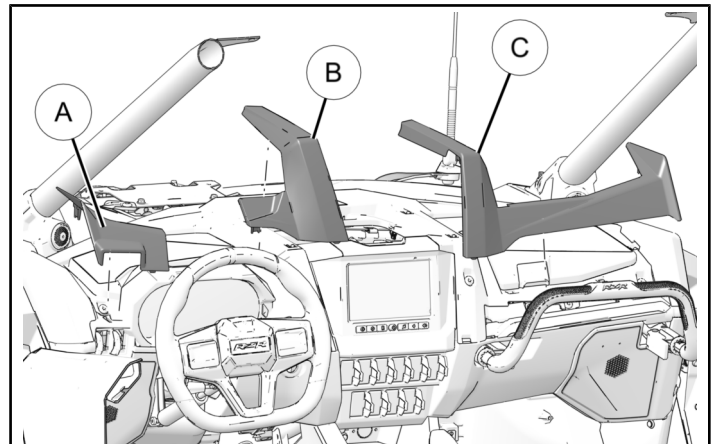


DASHBOARD TOP REMOVAL

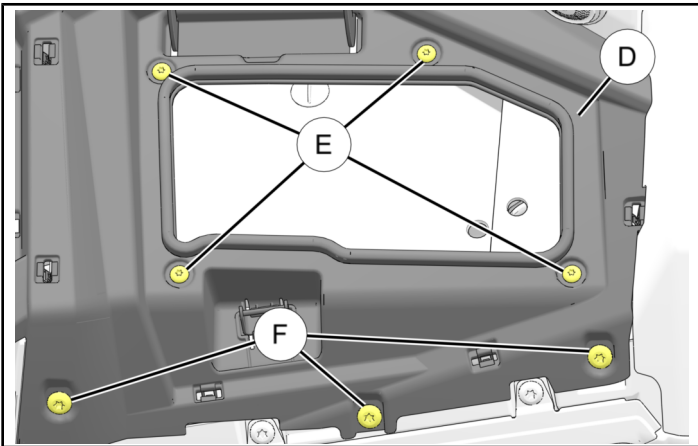
1. Carefully pull up to remove and retain left (A), center (B), and right (C) dash trim pieces.

TIP

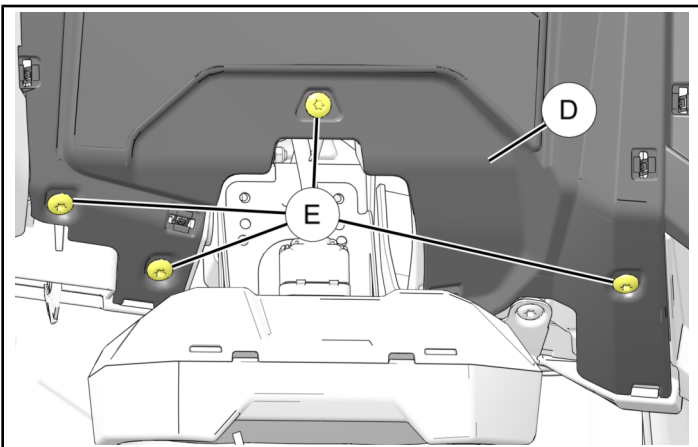
Release steering tilt lock for better access.



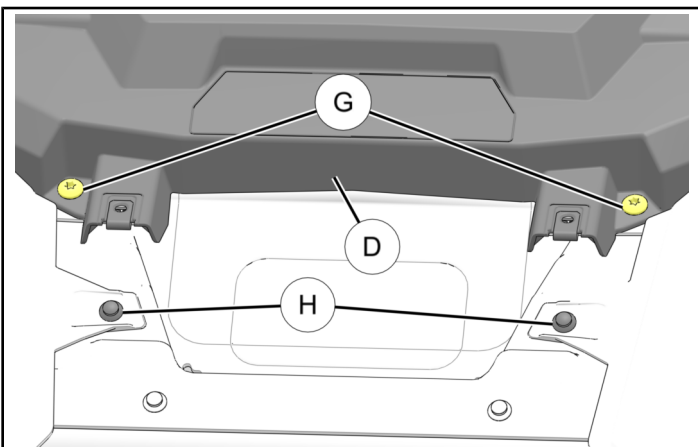
- Open glove box lid. Remove and retain four screws (E) around glove box opening and three screws (F) from front of dashboard top (D). Make note of different screw sizes.



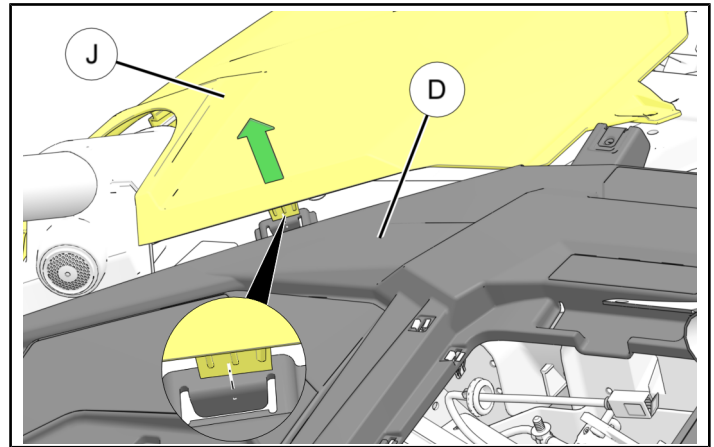
- Tilt steering wheel down. Remove and retain four screws (E) from dashboard top (D).



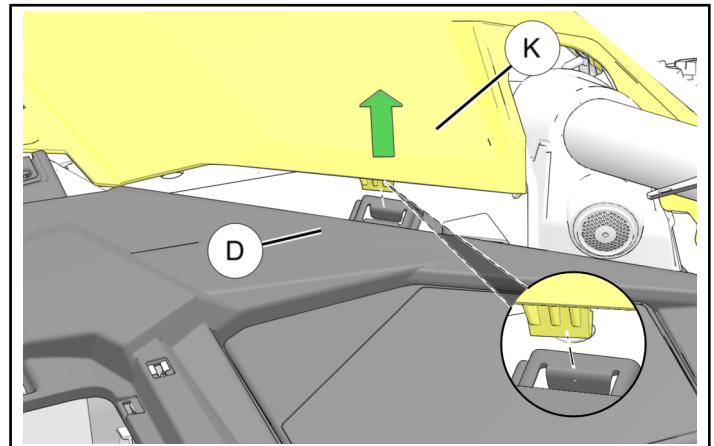
- On front of vehicle, near rear edge of center hood panel opening, remove and retain two screws (G) from dashboard top (D). Remove and retain two pushpin rivets (H) from front side panels.



- Carefully lift edge of left front fender (J) to release tab from dashboard top (D) as shown.

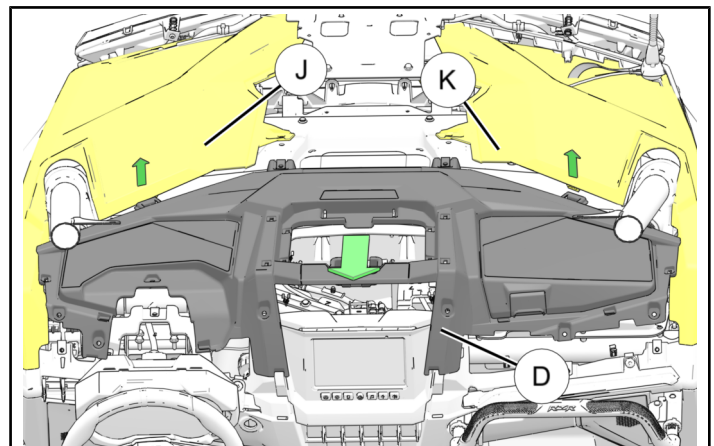


- Carefully lift edge of right front fender (K) to release tab from dashboard top (D) as shown.



- Carefully keep panels (J) and (K) up and away from tabs and remove dashboard top (D) by tilting rear section up and pulling out toward rear.

TIP
Have a second person to hold panels up.



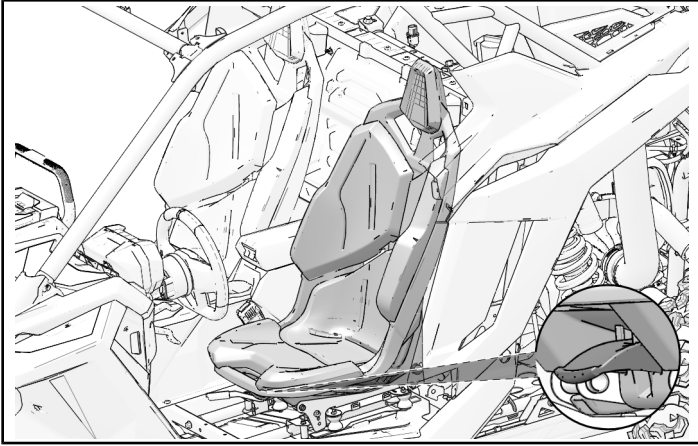
SEAT REMOVAL

SEAT REMOVAL

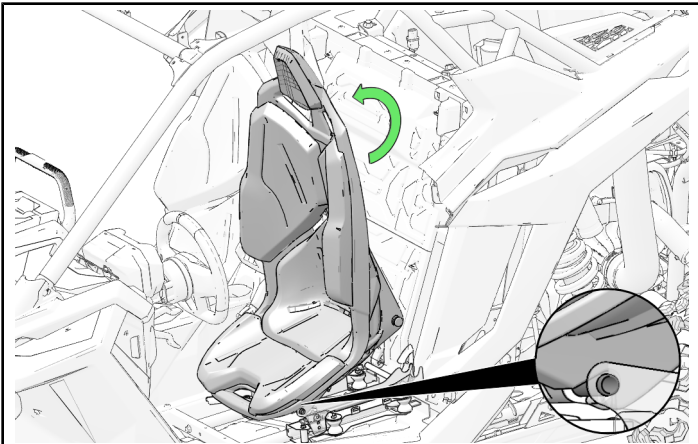
NOTE

Driver seat shown; passenger seat similar.

1. Pull up on lever, located below front of seat.



2. Tilt seat assembly forward and pull back slightly to disengage from receiver tube. Remove seat from vehicle.

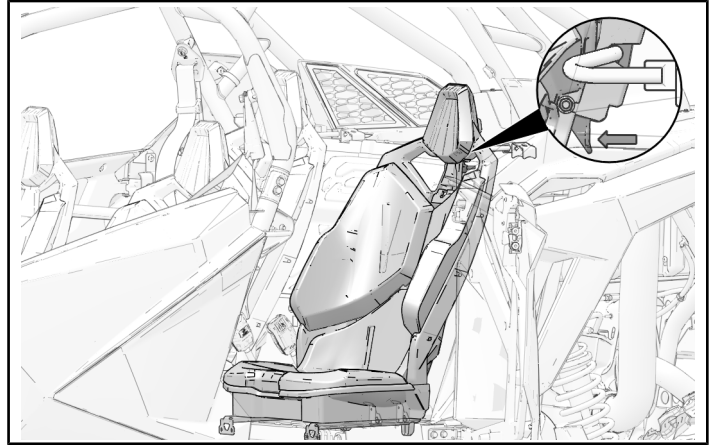


REAR SEAT REMOVAL (IF APPLICABLE)

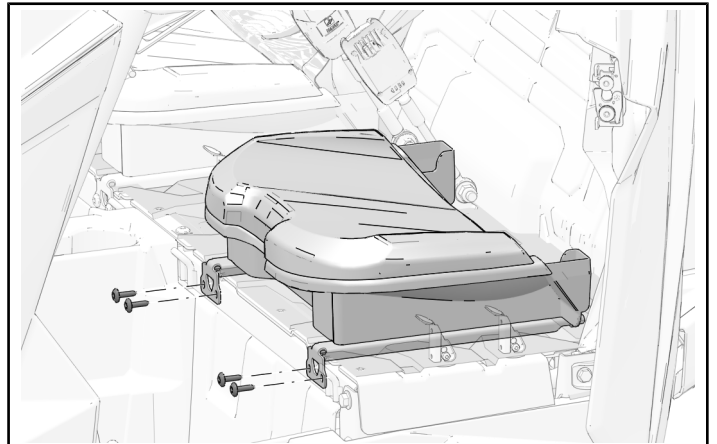
NOTE

Left rear seat shown; right rear similar.

1. Push lever on back of headrest to disengage from receiver tube. Remove seat backrest from vehicle.



2. Remove and retain four seat bracket fasteners. Remove seat from rear seat panel.



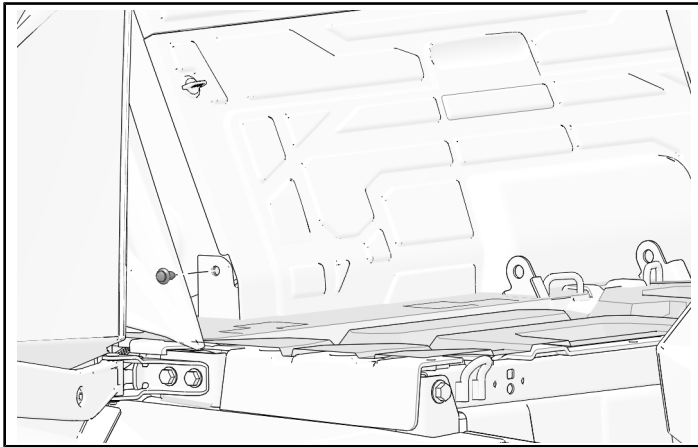
REAR INTERIOR DISASSEMBLY

REAR SEAT PANEL REMOVAL

1. Remove and retain eleven seat panel fasteners.



2. Remove and retain one push-pin rivet from right-rear of seat panel.



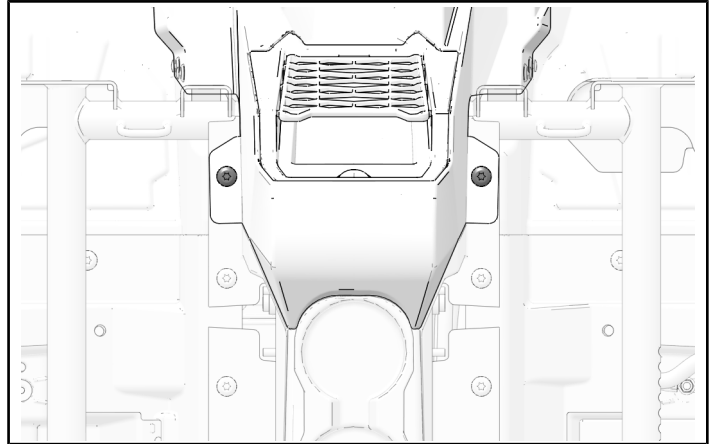
3. Remove seat panel from vehicle.

REAR CENTER CONSOLE DISASSEMBLY

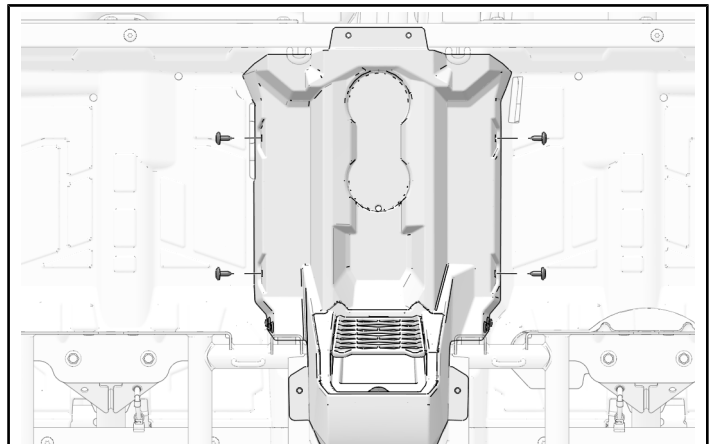
IMPORTANT

Note size difference of fasteners removed in steps 1 and 2.

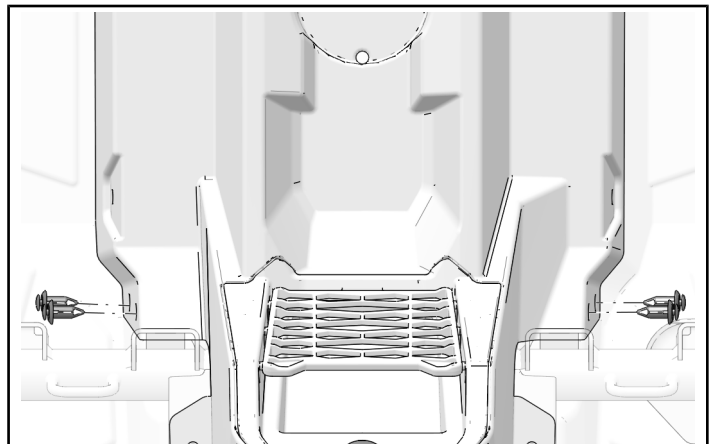
1. Remove and retain two center console top fasteners (longer).



2. Remove and retain four center console side fasteners (shorter).



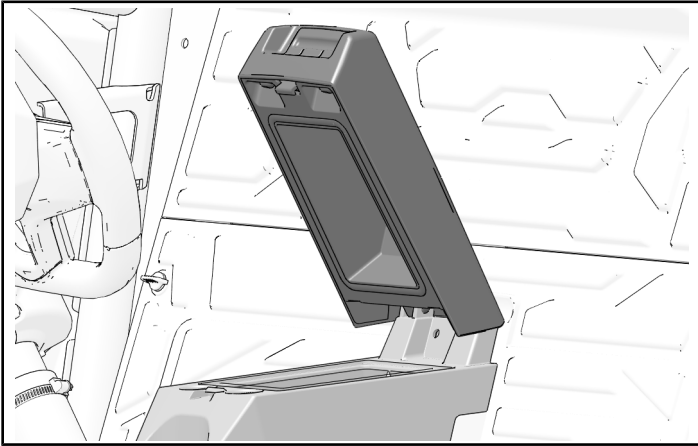
3. Remove and retain four push-pin rivets.



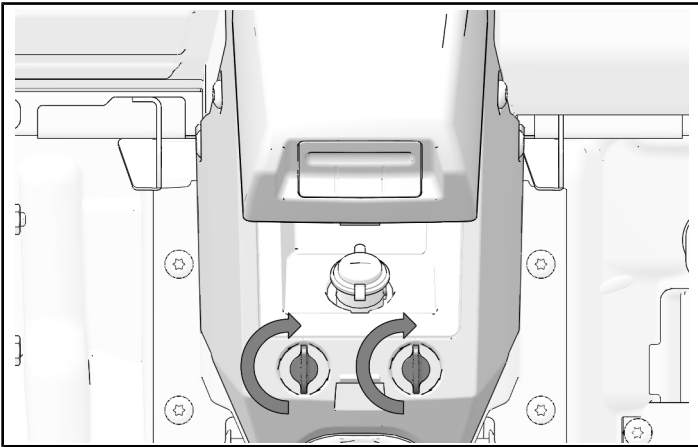
FRONT CENTER CONSOLE DISASSEMBLY

STORAGE COMPARTMENT REMOVAL

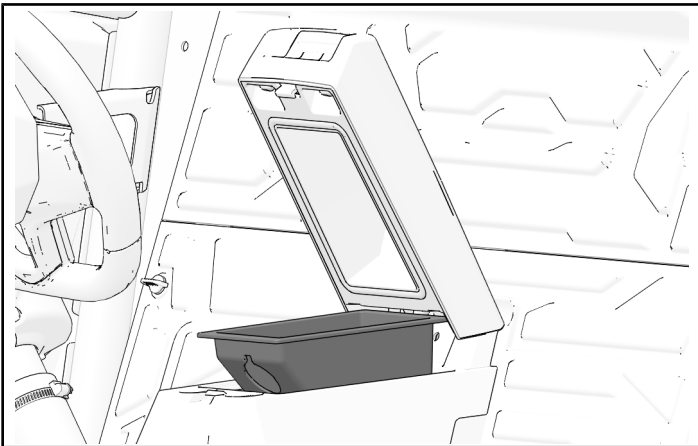
1. Open center console.



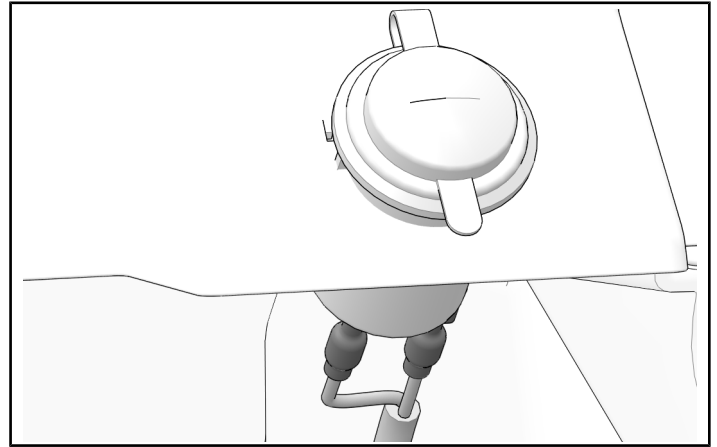
2. Turn each knob 1/4 to disengage from center console panel.



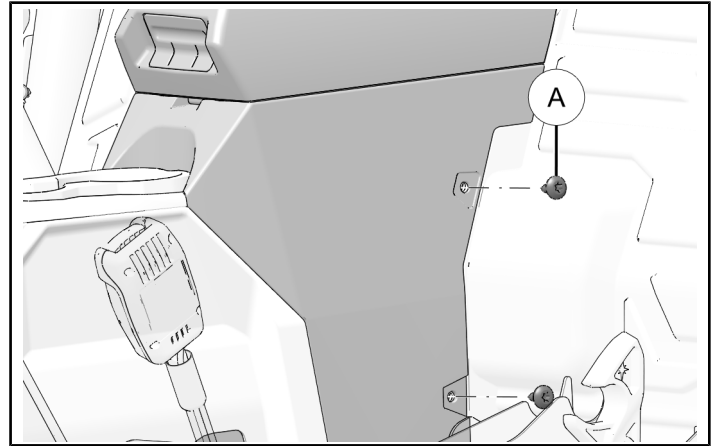
3. Remove and retain storage compartment.



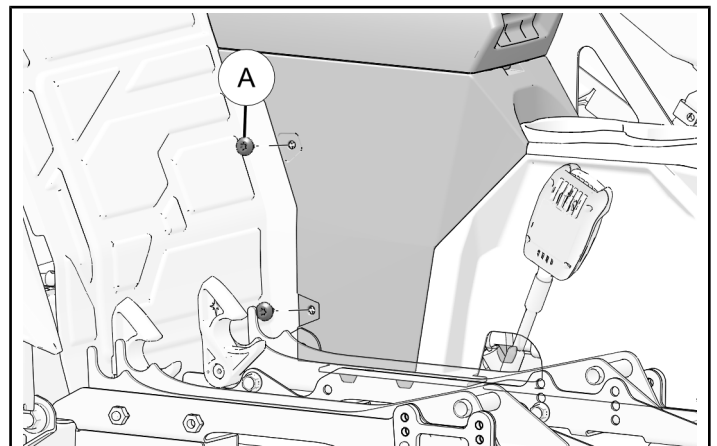
4. Disconnect 12 volt outlet from within center console cavity.



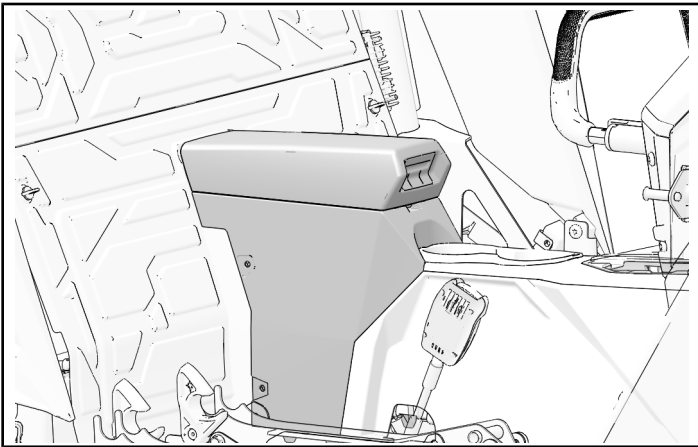
5. Remove and retain two center console fasteners (A) from driver side.



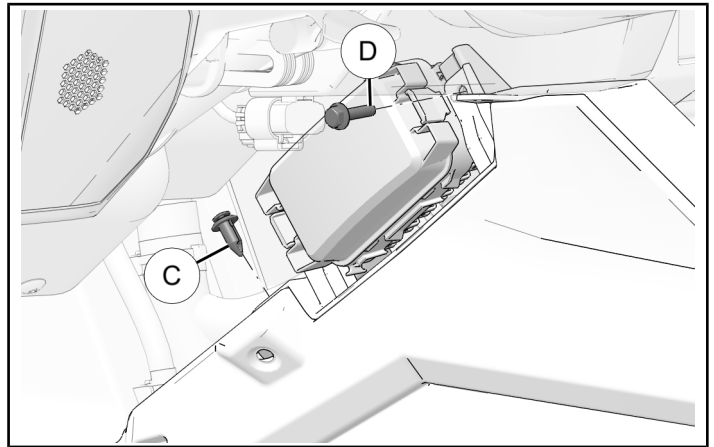
6. Remove and retain two center console fasteners (A) from passenger side.



7. Remove center console storage compartment from vehicle.

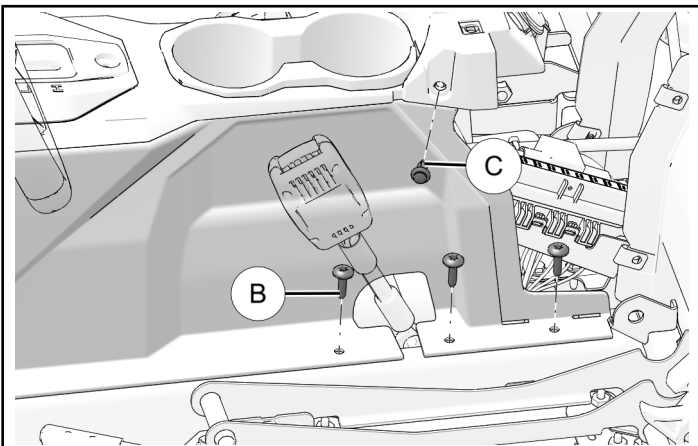


3. Remove and retain one push-pin rivet (C) and fuse block fastener (D).

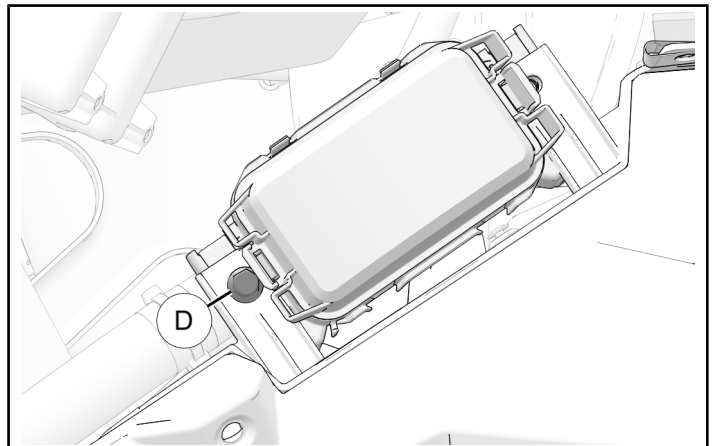


LEFT-HAND PANEL DISASSEMBLY

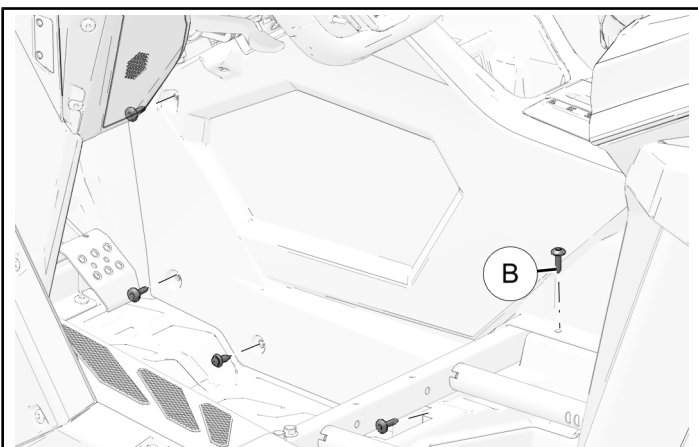
1. Remove and retain three center console fasteners (B) and one push-pin rivet (C).



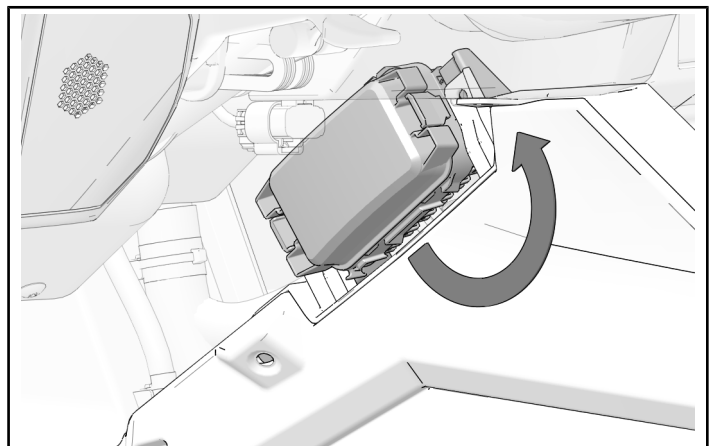
4. Loosen, but do not remove, left-hand fuse block fastener (D).



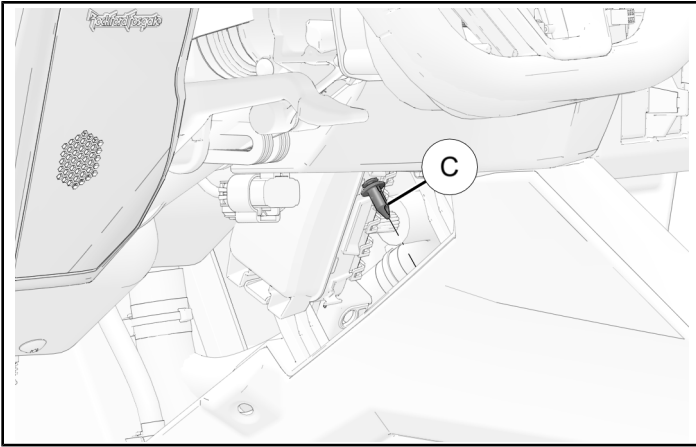
2. Remove and retain five center console fasteners (B). Remove interior light from center console panel, if equipped.



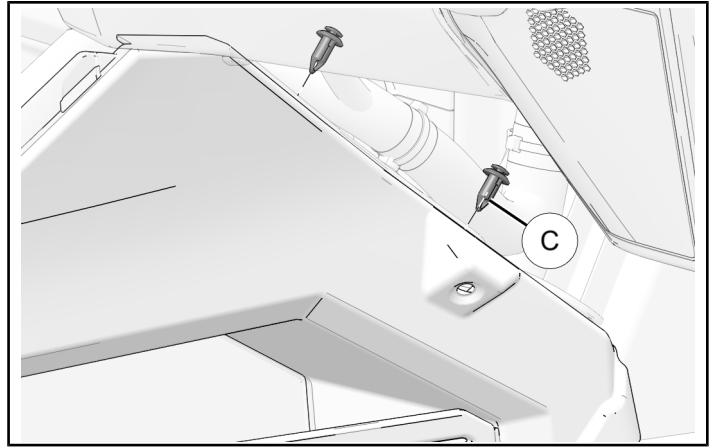
5. Rotate fuse block upwards towards front of vehicle to access push-pin rivet beneath fuse block.



6. Remove and retain push-pin rivet ③.

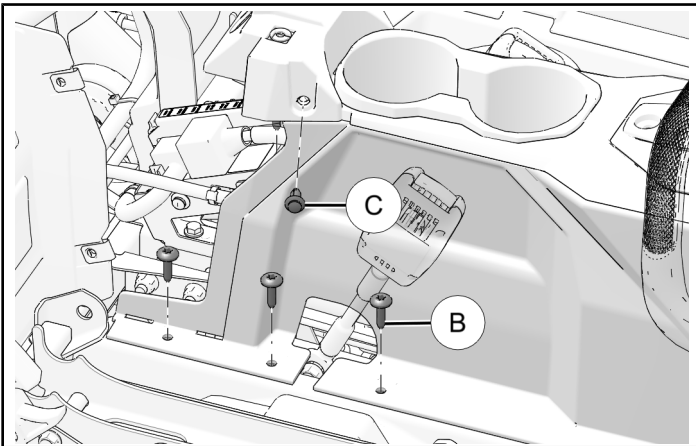


3. Remove and retain two push-pin rivets ③.

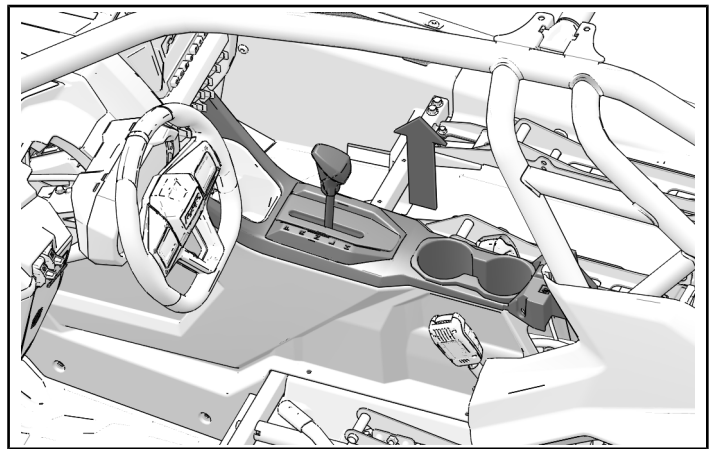


RIGHT-HAND PANEL DISASSEMBLY

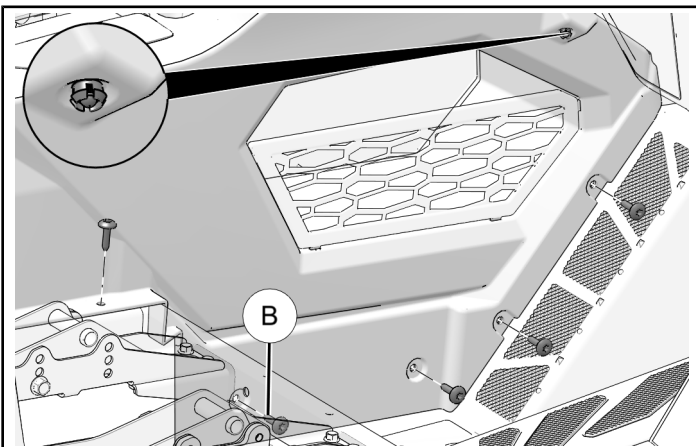
1. Remove and retain three center console fasteners ② and one push-pin rivet ③.



4. Carefully lift center panel upwards to remove side panels from vehicle.

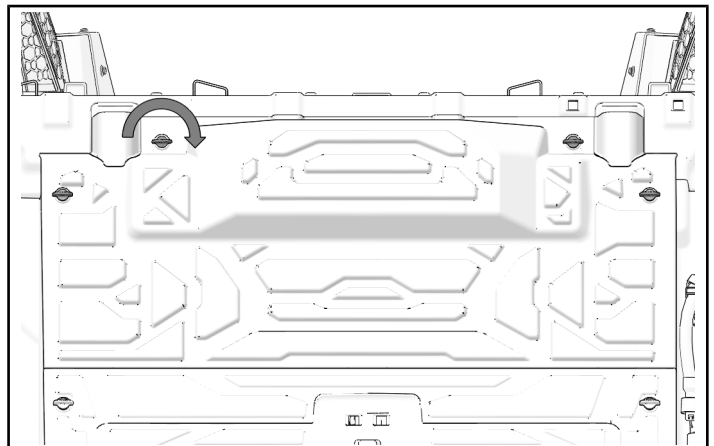


2. Remove and retain five center console fasteners ②. Remove interior light from center console panel, if equipped.

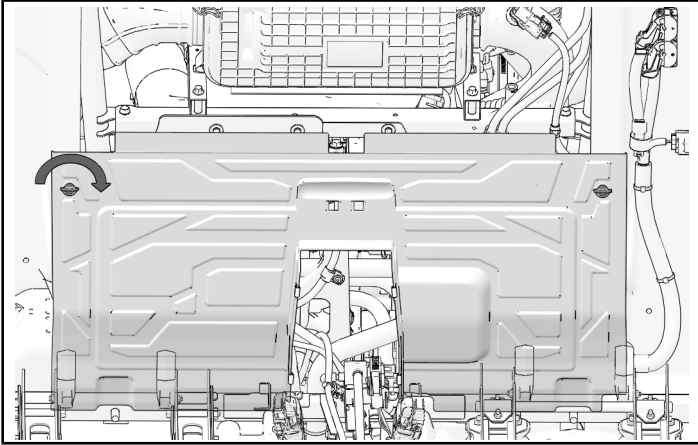


CLOSE-OFF PANEL REMOVAL

1. Turn each knob 1/4 to disengage and remove top close-off panel.



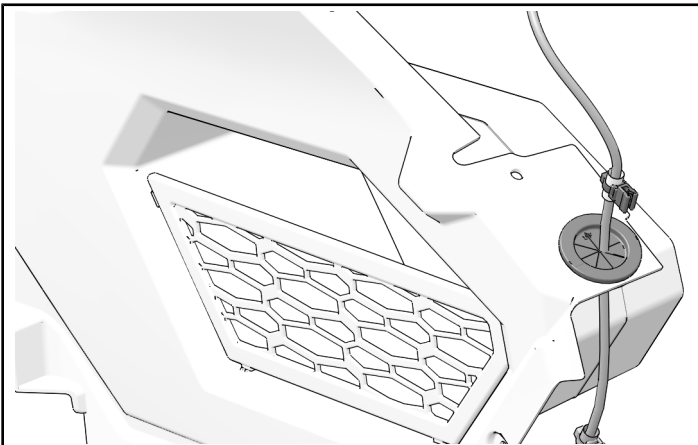
2. Turn each knob 1/4 to disengage and remove bottom close-off panel.



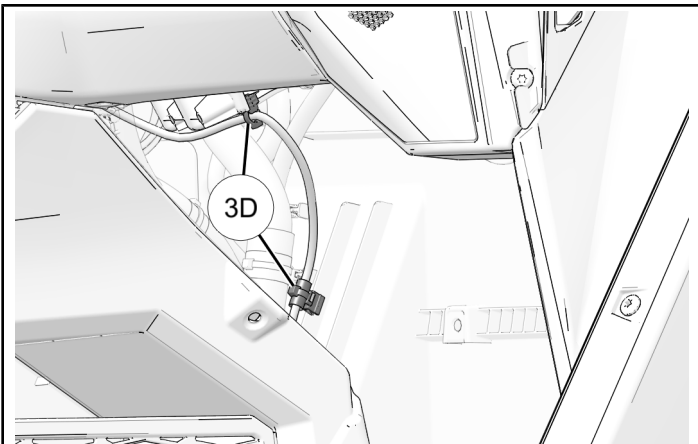
ACCESSORY INSTALLATION

AUDIO HARNESS ROUTING

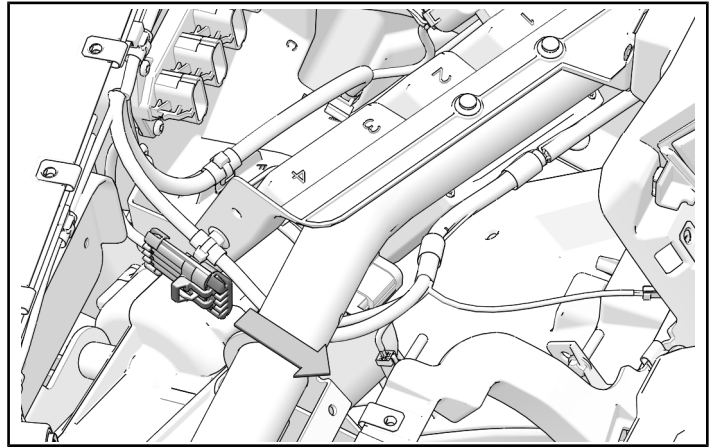
1. Route connector 3C through grommet in passenger side console panel.



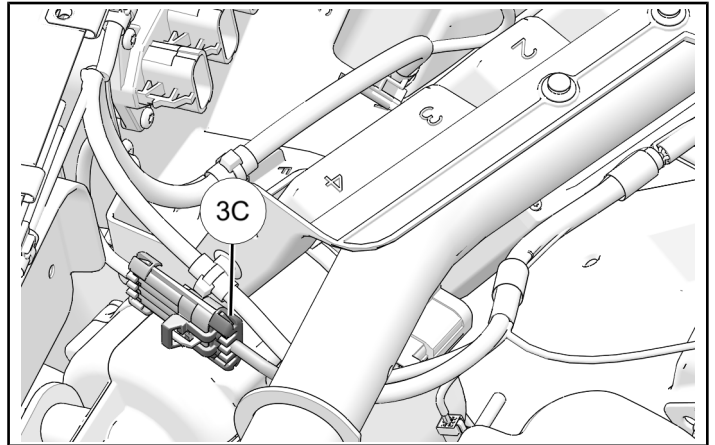
2. Loosely reinstall passenger-side console panel and begin routing audio harness to accessory mounting panel. Secure to vehicle with edge clips 3D.



3. Remove cover from rear audio connector.



4. Join connector 3C to main audio harness.

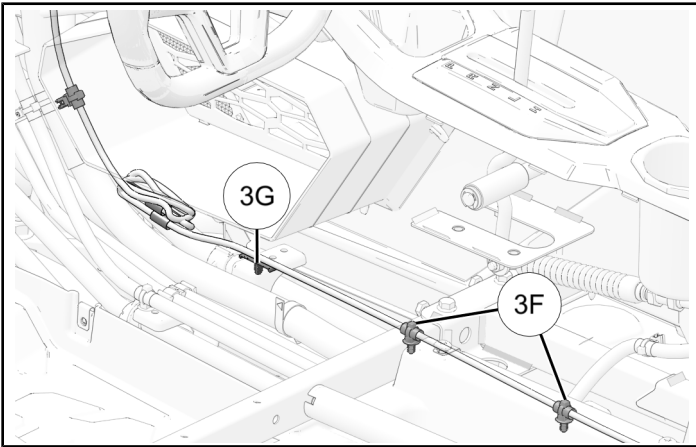


5. Route harness along tunnel, securing with routing clips.

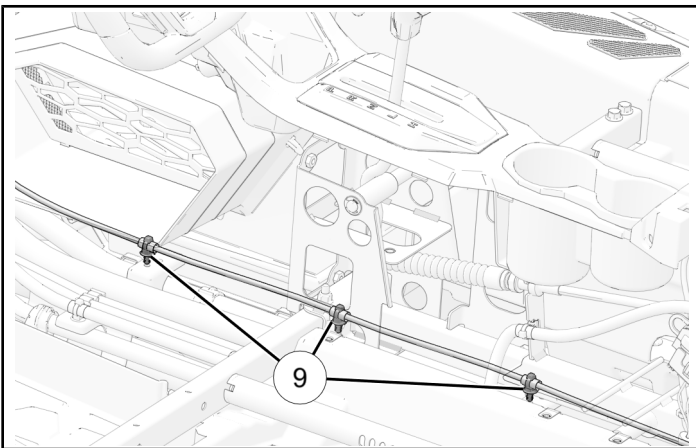
- Two Passenger Vehicles:
Use attached routing clips 3G and 3F.

NOTE

Bundle excess harness beneath center console panel, as shown, and secure with cable tie.

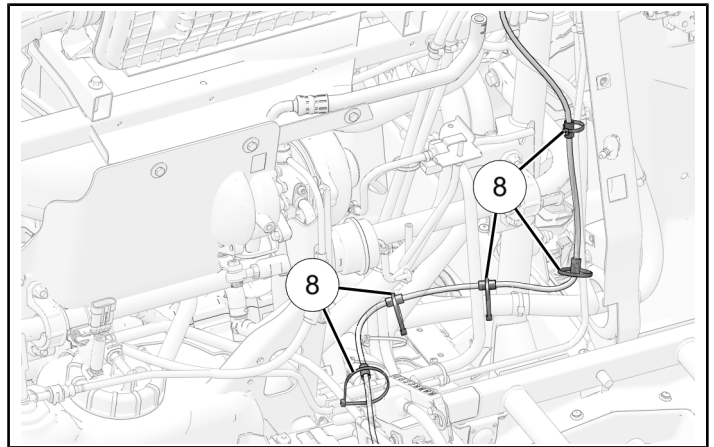


- Four Passenger Vehicles:
Use three routing clips ⑨ and then continue to route along tunnel with attached routing clips 3G and 3F.

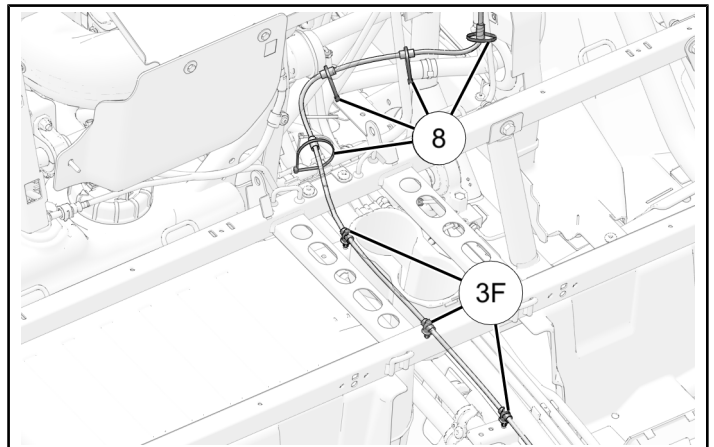


6. Route audio harness along chassis harness, behind rear close-off panel. Use cable ties ⑧ or routing clips 3F.

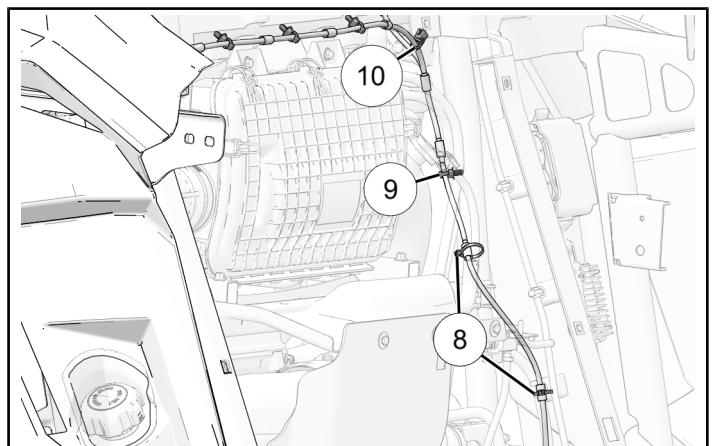
- Two Passenger Vehicles:



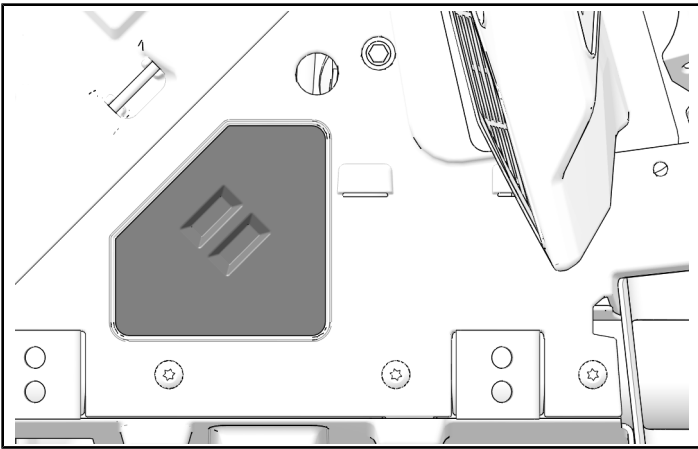
- Four Passenger Vehicles:



7. Route audio harness along chassis harness, behind rear close-off panel. Use two cable ties ⑧, one routing clip ⑨, and one edge clip ⑩ at corner gusset.



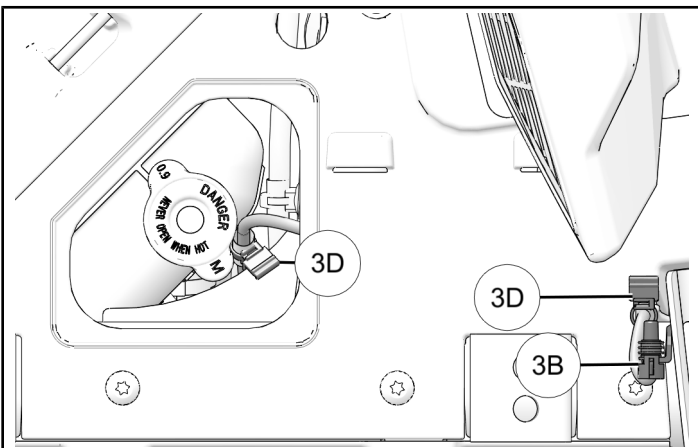
8. Remove coolant access panel for easier routing.



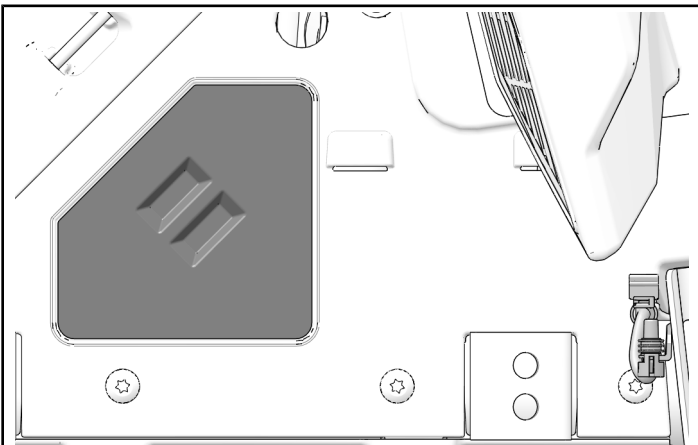
9. Attach harness to vehicle frame with two edge clips 3D.

TIP

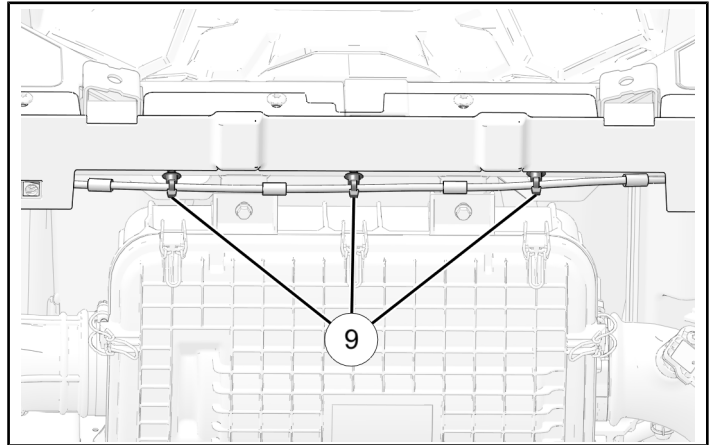
Access from rear wheel-well may be required to route connector 3B and second edge clip 3D.



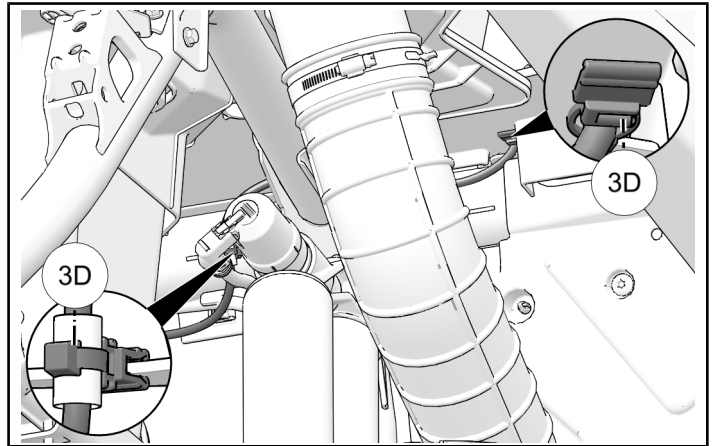
10. Reinstall coolant access panel.



11. Route audio harness along chassis harness, behind close-off panel. Use routing clips 9.



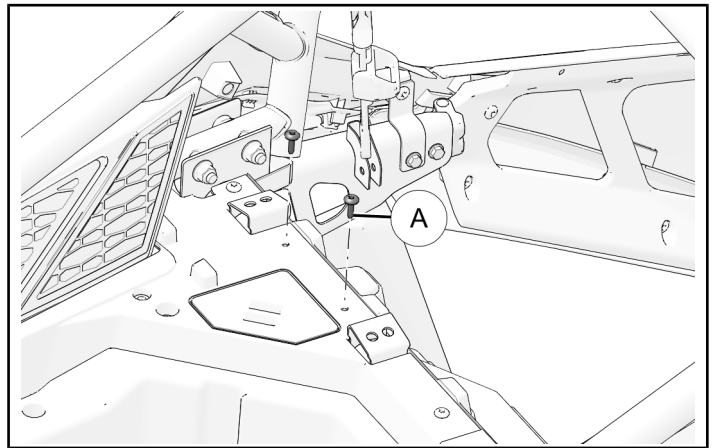
12. Attach harness to vehicle frame with two edge clips 3D.



REAR SPEAKER INSTALLATION

LEFT-HAND REAR SPEAKER INSTALLATION

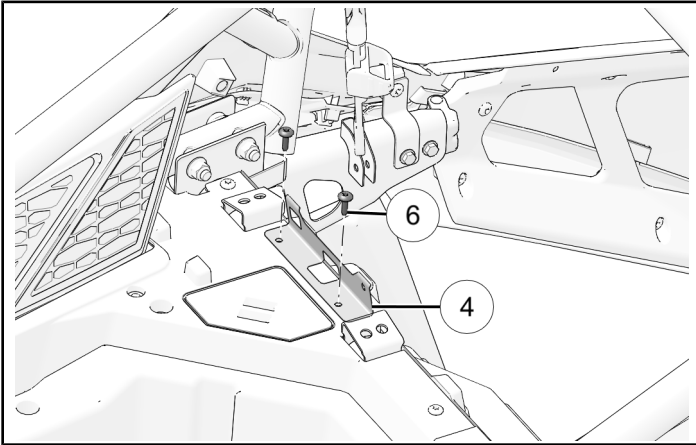
1. Remove and discard two panel fasteners (A).



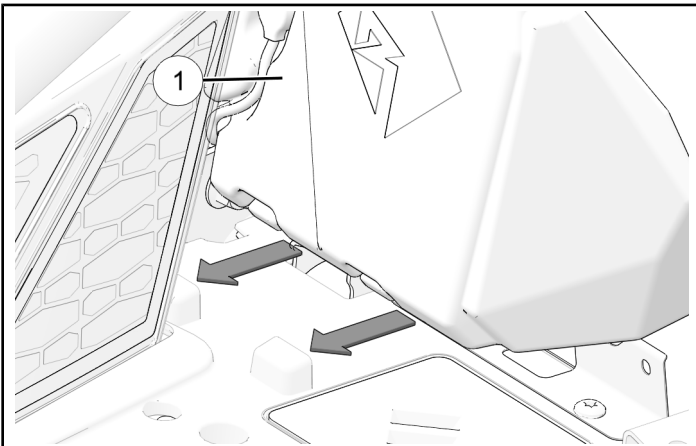
2. Install left-hand speaker bracket ④ with two bracket fasteners ⑥.

TORQUE

Bracket Fasteners ⑥:
89 in-lbs (10 N·m)



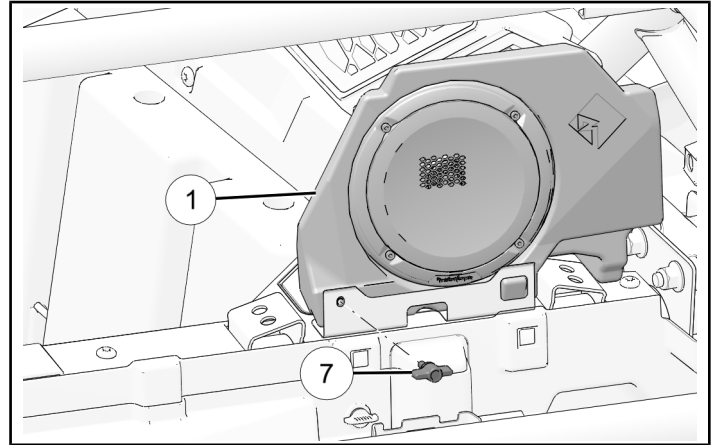
3. Tilt left-hand speaker ① so that rear tabs slide into body panel.



4. Slide left-hand speaker ① forward into bracket and secure with knob ⑦.

NOTE

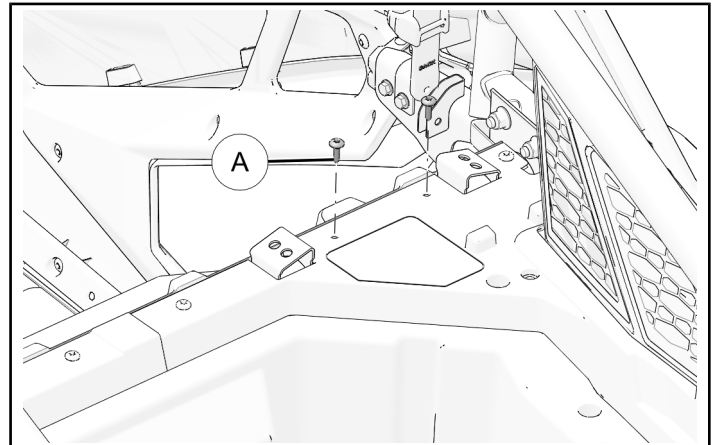
Do not over tighten knob. Excess torque can cause threaded insert to come apart from knob.



5. Join left-hand rear speaker ① to audio harness connector 3B.

RIGHT-HAND REAR SPEAKER INSTALLATION

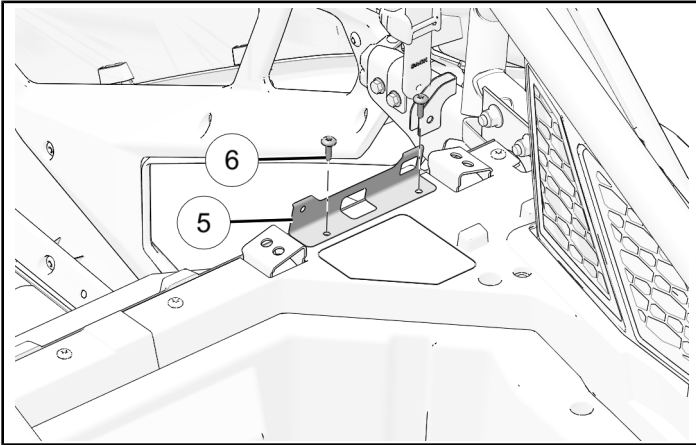
1. Remove and discard two panel fasteners (A).



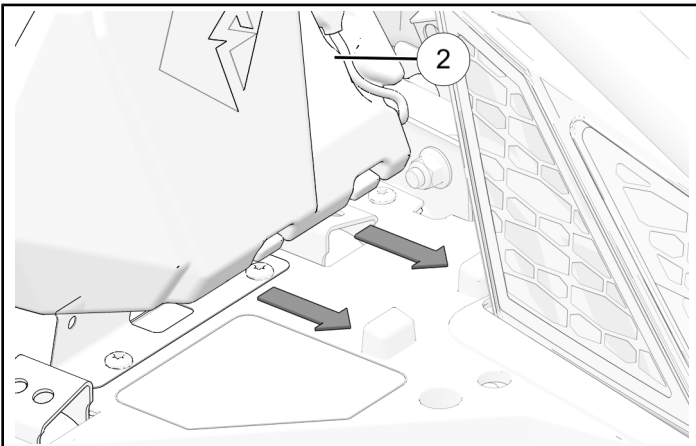
2. Install right-hand speaker bracket ④ with two bracket fasteners ⑥.

TORQUE

Bracket Fasteners ⑥:
89 in-lbs (10 N·m)



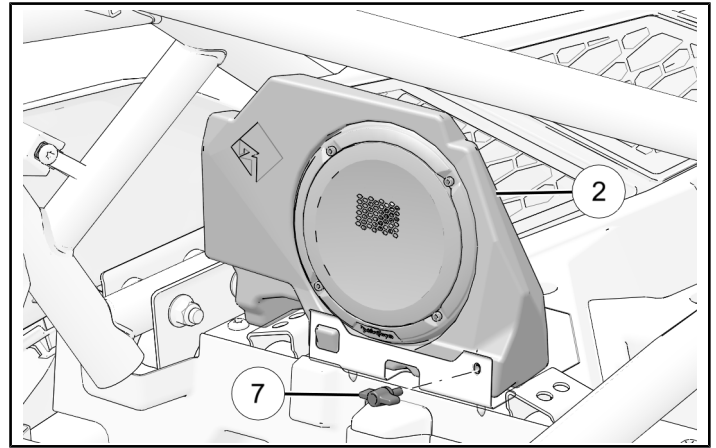
3. Tilt right-hand speaker ② so that rear tabs slide into body panel.



4. Slide right-hand speaker ② forward into bracket and secure with knob ⑦.

NOTE

Do not over tighten knob. Excess torque can cause threaded insert to detach from knob.



5. Join right-hand rear speaker ② to audio harness connector 3A.

VEHICLE REASSEMBLY

GENERAL

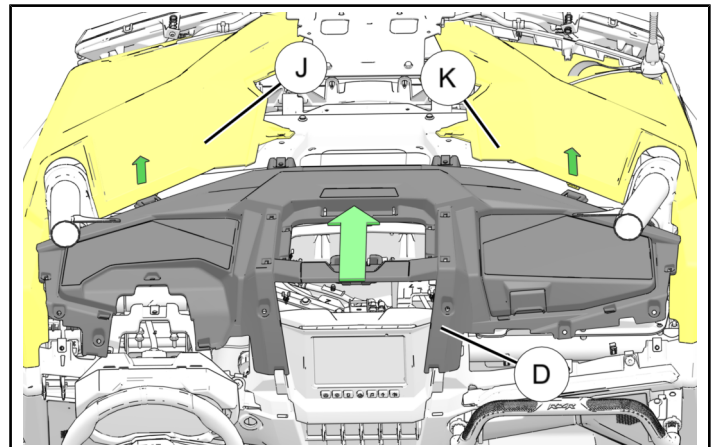
1. Verify rear speakers operate properly before proceeding with reassembling vehicle.

DASHBOARD TOP INSTALLATION

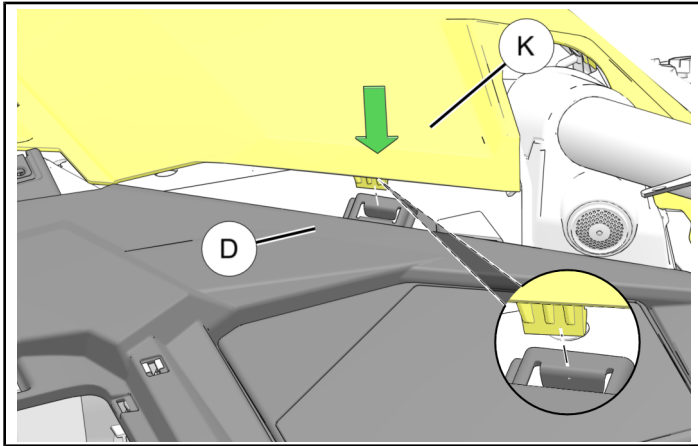
1. Carefully lift panels ① and ② up and away from tabs and install dashboard top ③ into place by tilting rear section up and installing front section first, then lower rear section into place.

TIP

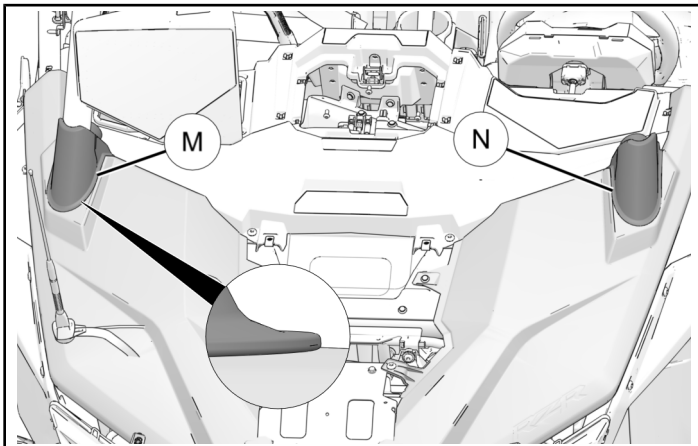
Have a second person to hold panels up.



2. Ensure that tabs on panels **J** and **K** are aligned in slots on dashboard top **D**. (Panel **K** shown; panel **J** similar.)



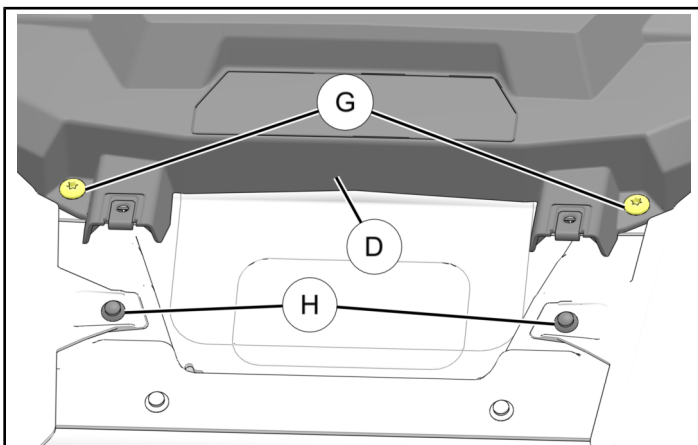
3. Ensure that both right **M** and left **N** rubber boots are properly installed. Only upper lip should be visible, as shown with inset.



4. Reinstall two retained screws **G** into front edge of dashboard top **D** and two retained pushpin rivets **H**. Torque screws to specification.

TORQUE

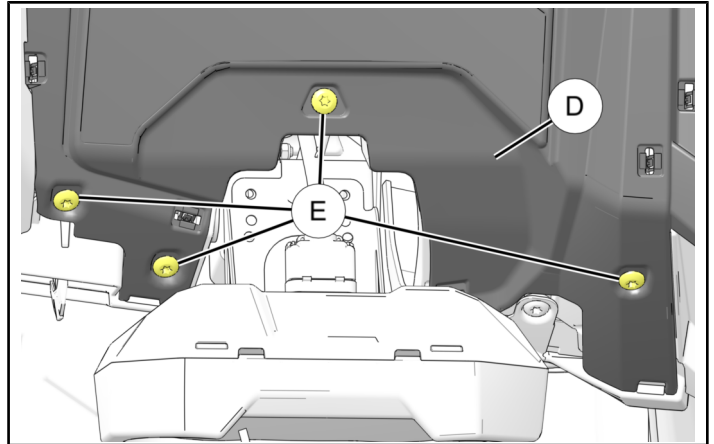
Screw **G**:
88 in-lbs (10 N·m)



5. Tilt steering wheel down. Install four retained screws **E** through dashboard top and torque to specification.

TORQUE

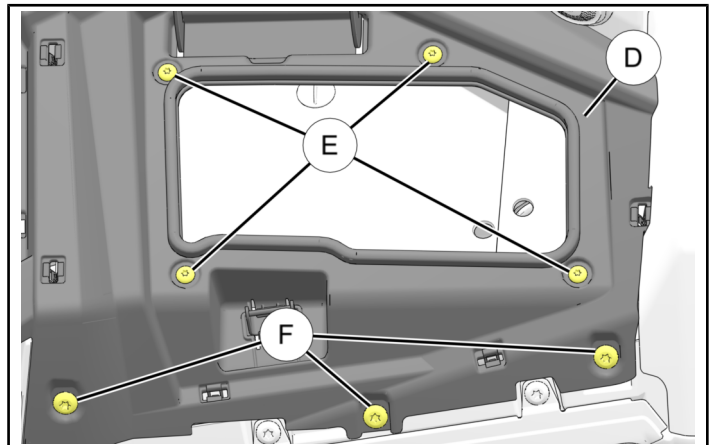
Screw **E**:
88 in-lbs (10 N·m)



6. Open glove box lid and reinstall storage compartment. Install four retained screws **E** around glove box opening and three retained screws **F** in front of dashboard top **D**. Torque screws to specification.

TORQUE

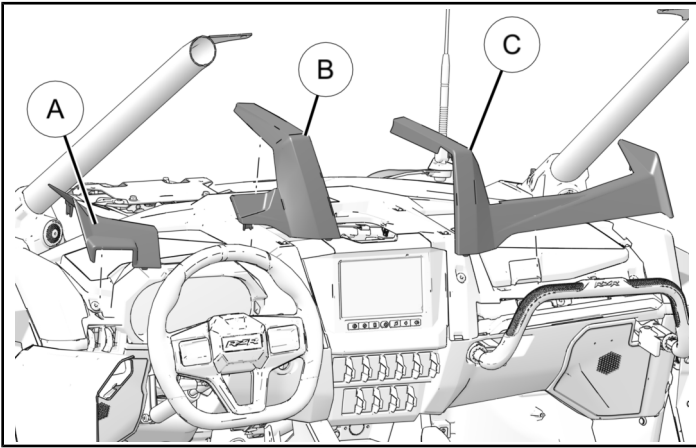
Screw **E** and **F**:
88 in-lbs (10 N·m)



7. Install retained left (A), center (B), and right (C) dash trim pieces.

TIP

Release steering tilt lock for better access.

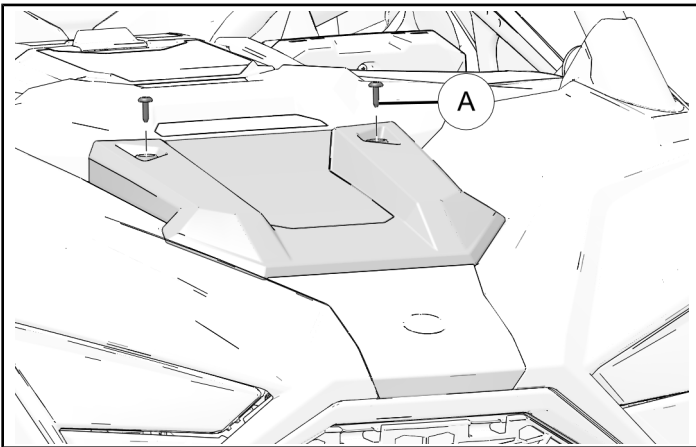


CENTER HOOD PANEL INSTALLATION

1. Slide panel forward until tabs slide into front hood panel and install with two hood fasteners (A).

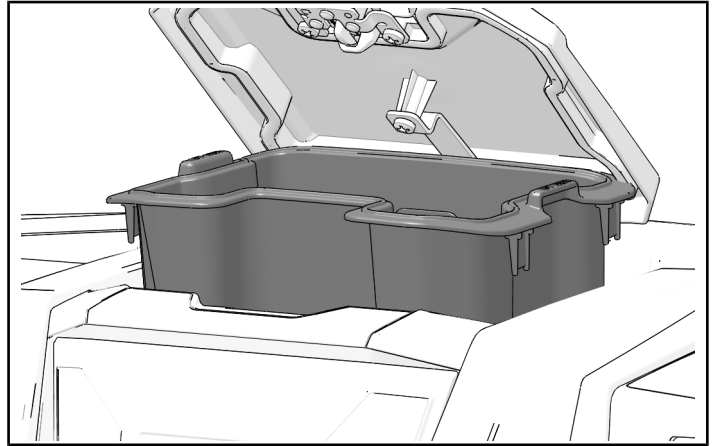
TORQUE

Hood Fasteners (A):
89 in-lbs (10 N·m)



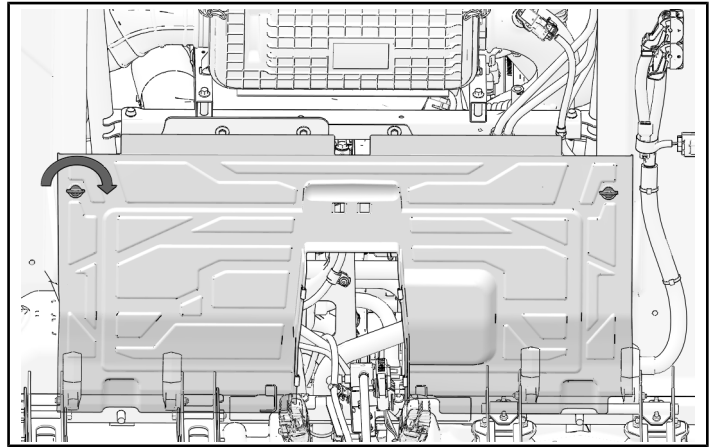
DASHBOARD STORAGE INSTALLATION

1. Slide storage compartment into dashboard cavity.

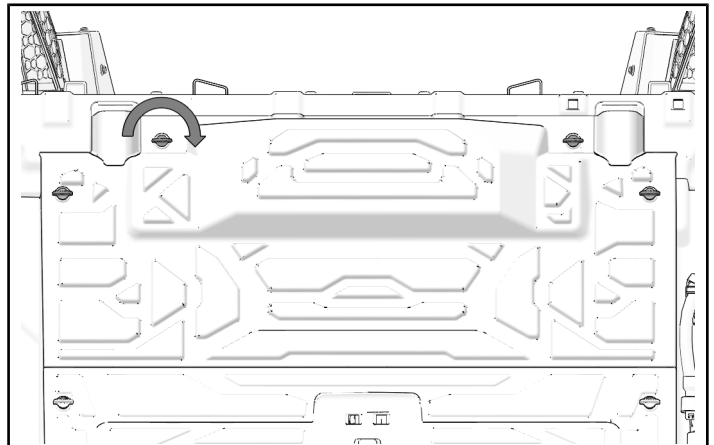


CLOSE-OFF PANEL INSTALLATION

1. Turn each knob 1/4 to securely engage with back panel.



2. Turn each knob 1/4 to securely engage with back panel.



REAR INTERIOR REASSEMBLY

REAR SEAT PANEL INSTALLATION

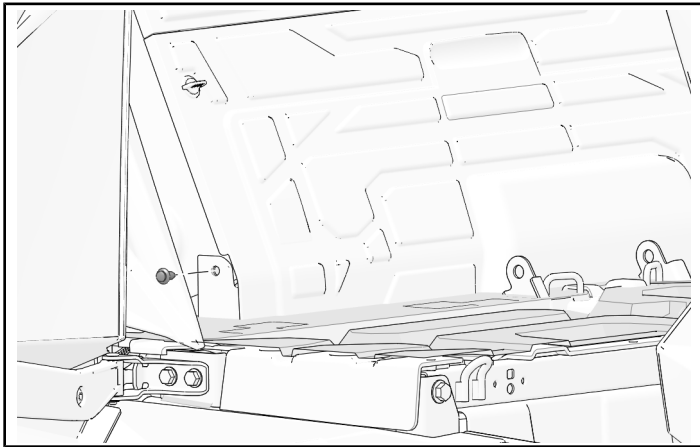
1. Position rear seat panel in vehicle and install with eleven seat panel fasteners.

TORQUE

Seat Panel Fasteners:
89 in-lbs (10 N·m)



2. Reinstall one push-pin rivet in right-rear of seat panel.

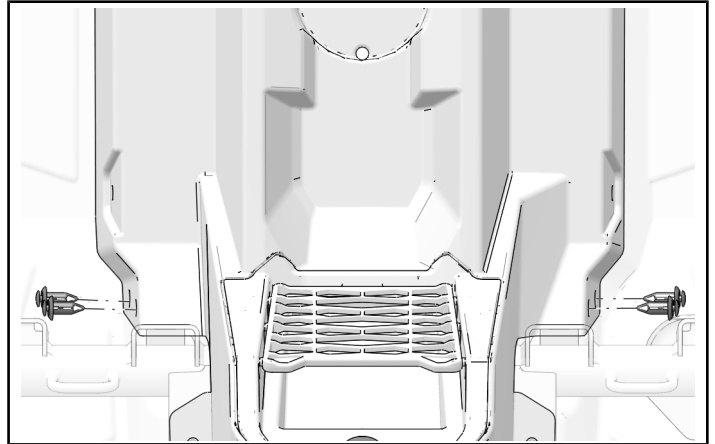


REAR CENTER CONSOLE ASSEMBLY

IMPORTANT

Note size difference of fasteners installed in steps 2 and 3.

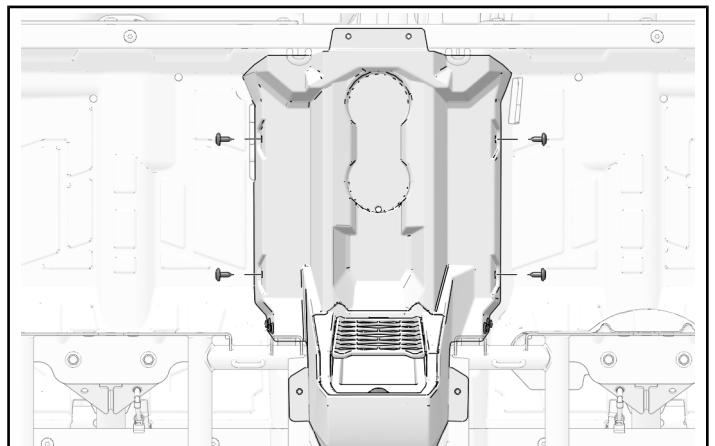
1. Align rear center console with front center console.
2. Install front portion with four retained push-pin rivets.



3. Install sides with four center console side fasteners (shorter).

TORQUE

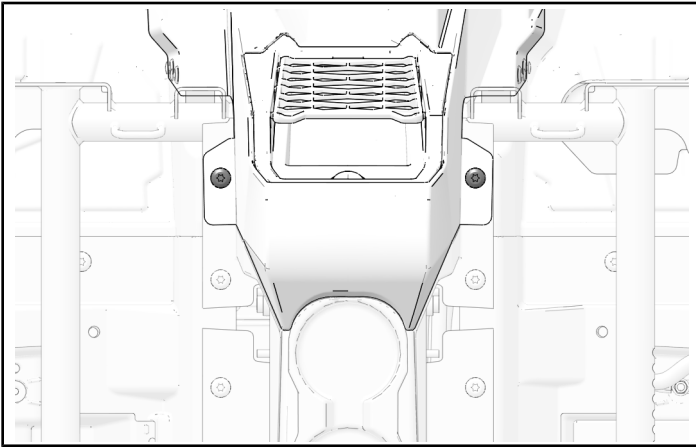
Center Console Fasteners (Shorter):
89 in-lbs (10 N·m)



4. Install to front-center console with two center console top fasteners (longer).

TORQUE

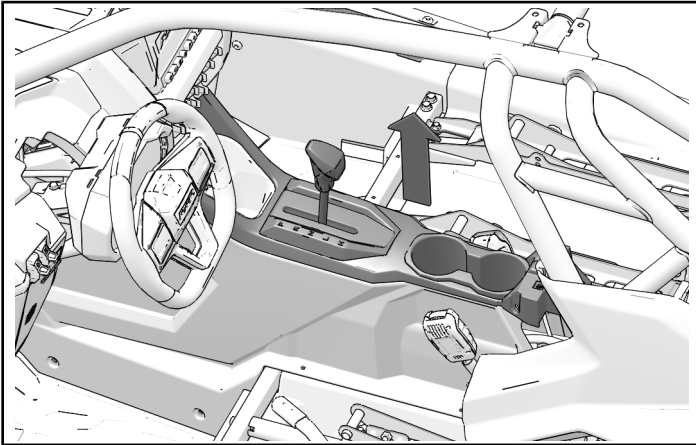
Center Console Fasteners (Longer):
89 in-lbs (10 N·m)



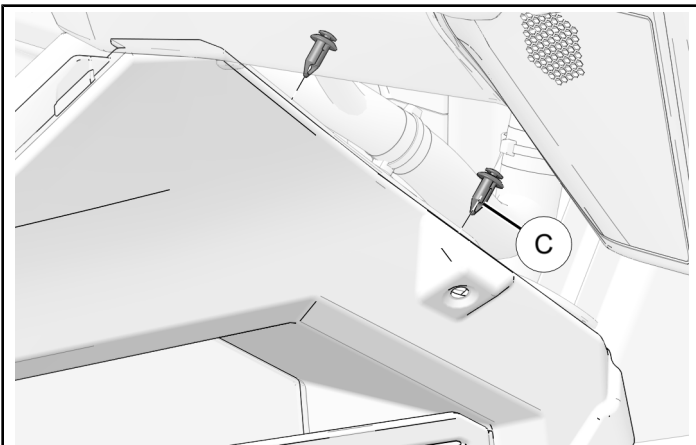
FRONT CENTER CONSOLE REASSEMBLY

RIGHT-HAND PANEL INSTALLATION

1. Carefully lift center panel upwards and position side panels for installation.



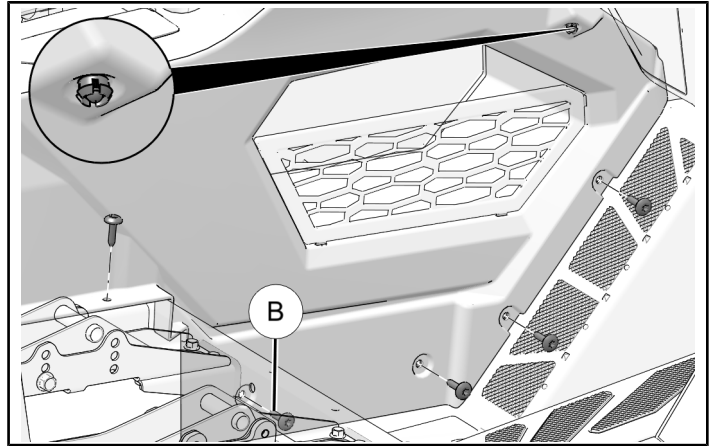
2. Install two push-pin rivets (C).



3. Install passenger side panel with five retained center console fasteners (B). Install interior light from center console panel, if equipped.

TORQUE

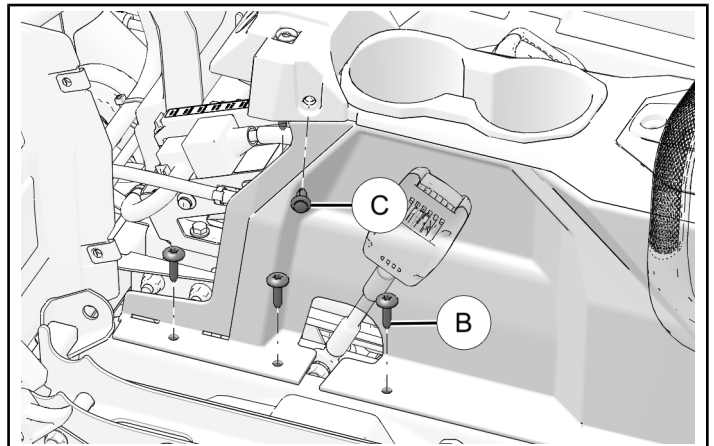
Center Console Fasteners (B):
89 in-lbs (10 N·m)



4. Install passenger side panel with three retained center console fasteners (B) and one push-pin rivet (C).

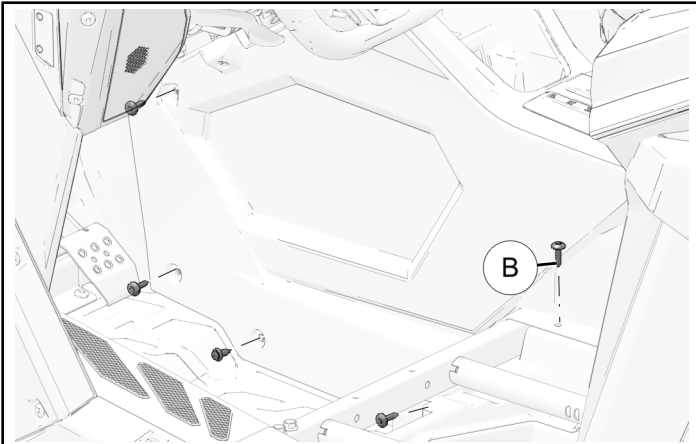
TORQUE

Center Console Fasteners (B):
89 in-lbs (10 N·m)

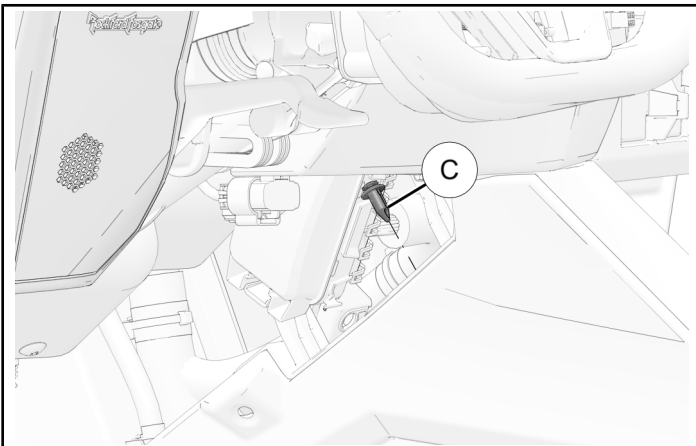


LEFT-HAND PANEL INSTALLATION

1. Install driver side panel with five retained center console fasteners (B). Install interior light from center console panel, if equipped.



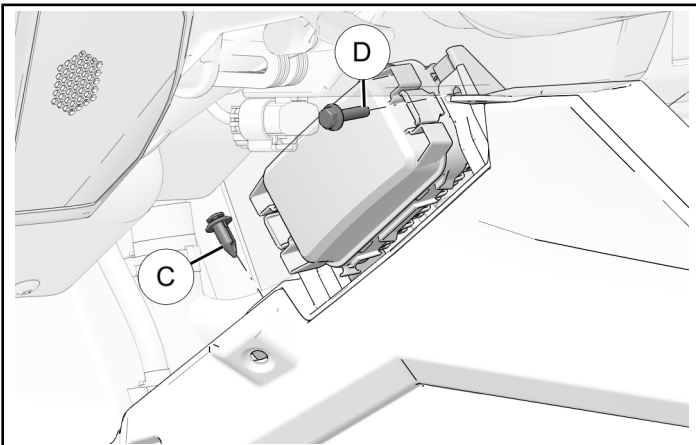
2. Install push-pin rivet (C).



3. Install retained push-pin rivet (C) and fuse block fastener (D). Torque two fuse block fasteners (D) to specification.

TORQUE

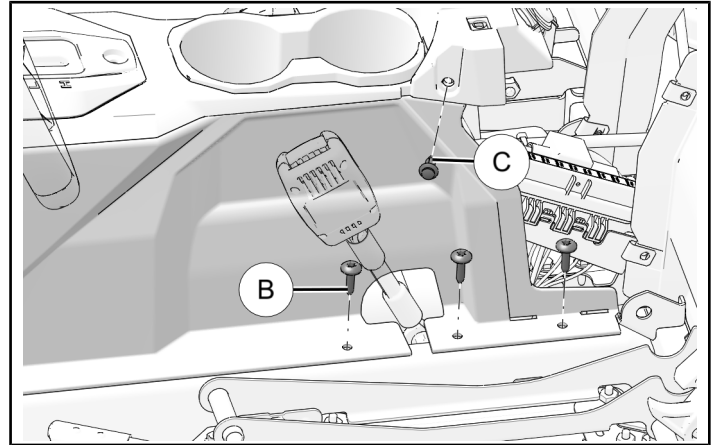
Fuse Block Fasteners (D):
31 in-lbs (3.5 N·m)



4. Install driver side panel with three retained center console fasteners (B) and one push-pin rivet (C).

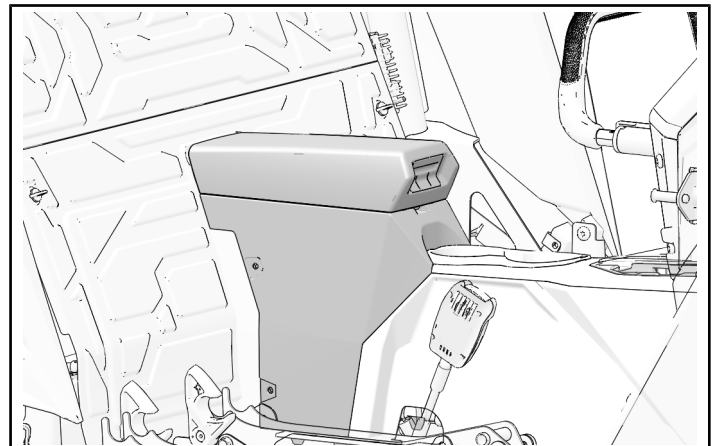
TORQUE

Center Console Fasteners (B):
89 in-lbs (10 N·m)



STORAGE COMPARTMENT INSTALLATION

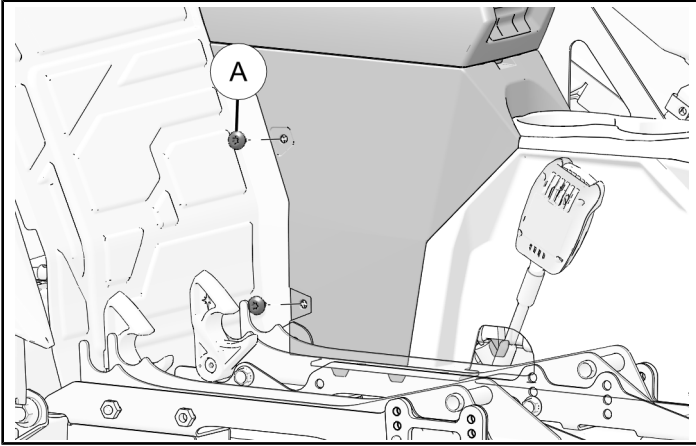
1. Position console storage compartment for installation.



2. Install console storage compartment with two retained center console fasteners (A) from passenger side.

TORQUE

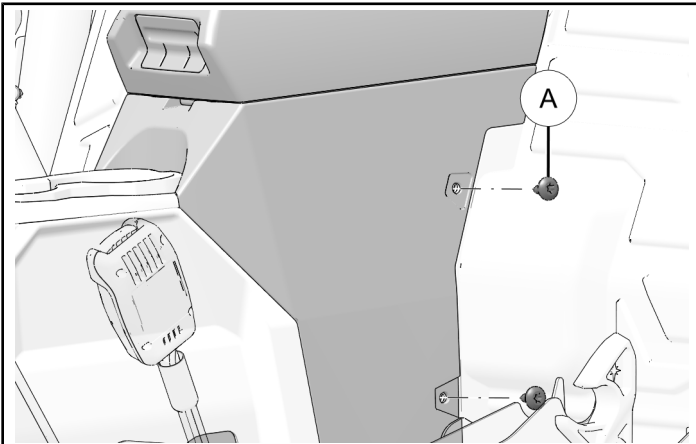
Center Console Fasteners (A):
89 in-lbs (10 N·m)



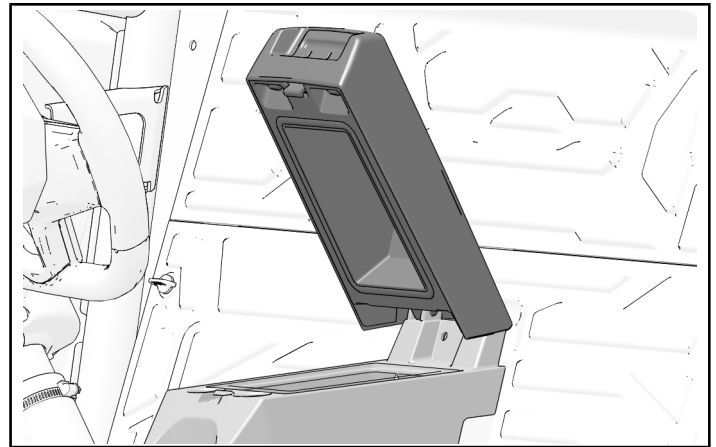
3. Install console storage compartment with two retained center console fasteners (A) from driver side.

TORQUE

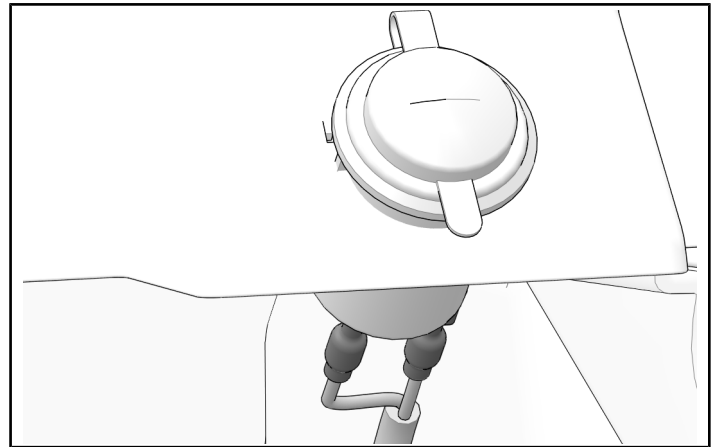
Center Console Fasteners (A):
89 in-lbs (10 N·m)



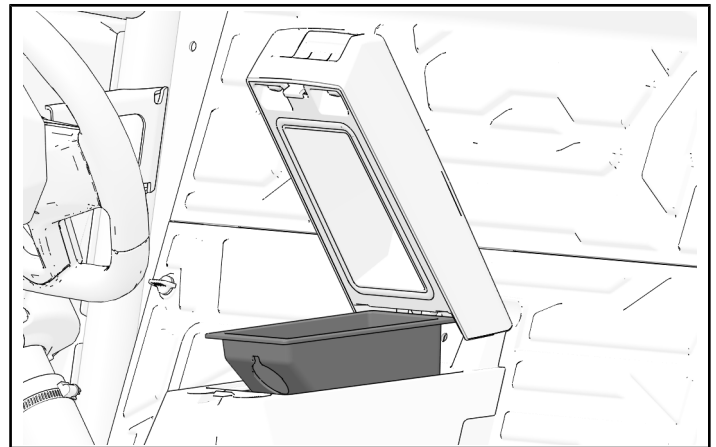
4. Open center console.



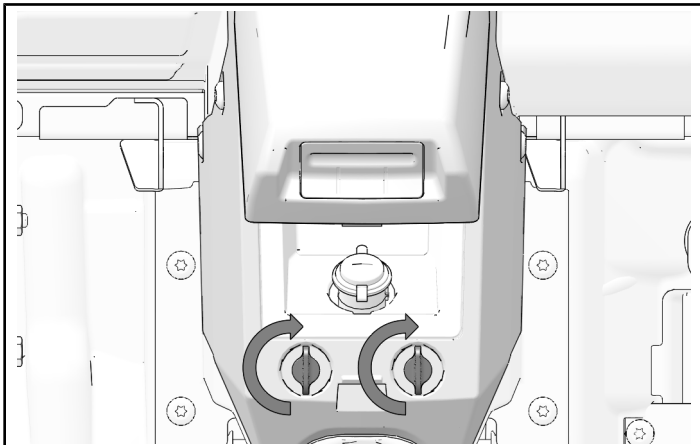
5. Connect 12 volt outlet from within center console cavity.



6. Install storage compartment.



- Turn each knob 1/4 to engage with center console panel.



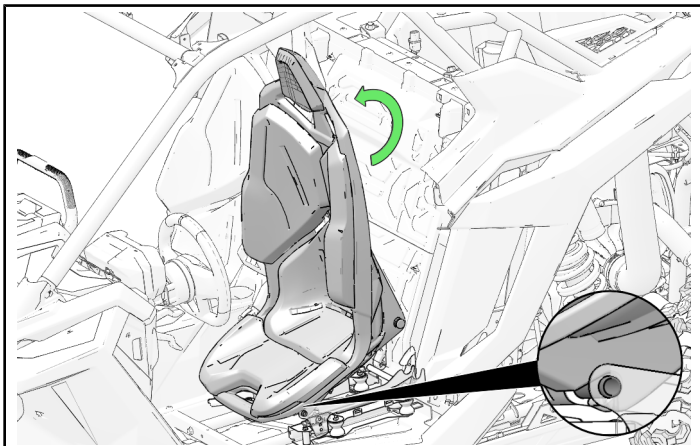
SEAT INSTALLATION

SEAT INSTALLATION

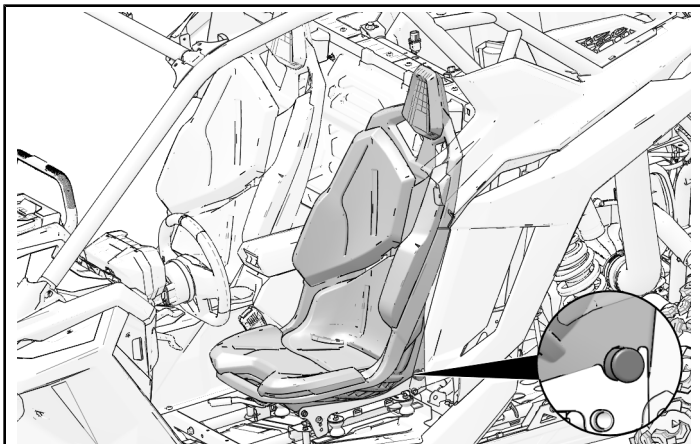
NOTE

Driver seat shown; passenger seat similar.

- Tilt seat towards steering wheel and hook seat base onto front receiver tubes.



- Lower seat onto rear receiver tubes.



REAR SEAT INSTALLATION

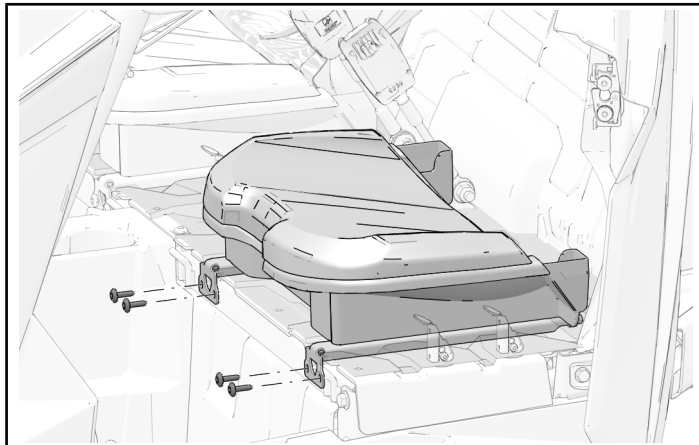
NOTE

Left rear seat shown; right rear similar.

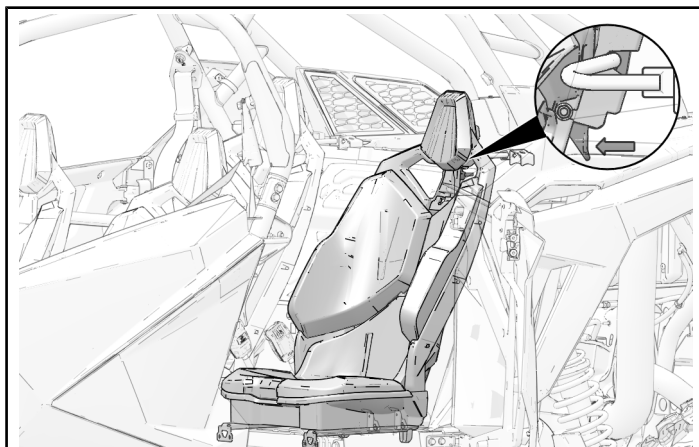
- Install seat base with four seat bracket fasteners.

TORQUE

Seat Bracket Fasteners:
71 in-lbs (8 N·m)



- Position backrest assembly into seat base and lean back until headrest engages with receiver tube.



FEEDBACK FORM

A feedback form has been created for the installer to provide any comments, questions or concerns about the installation instructions. The form is viewable on mobile devices by scanning the QR code or by clicking [HERE](#) if viewing on a PC.

