

UPPER DOOR KIT



P/N 2884332

BEFORE YOU BEGIN

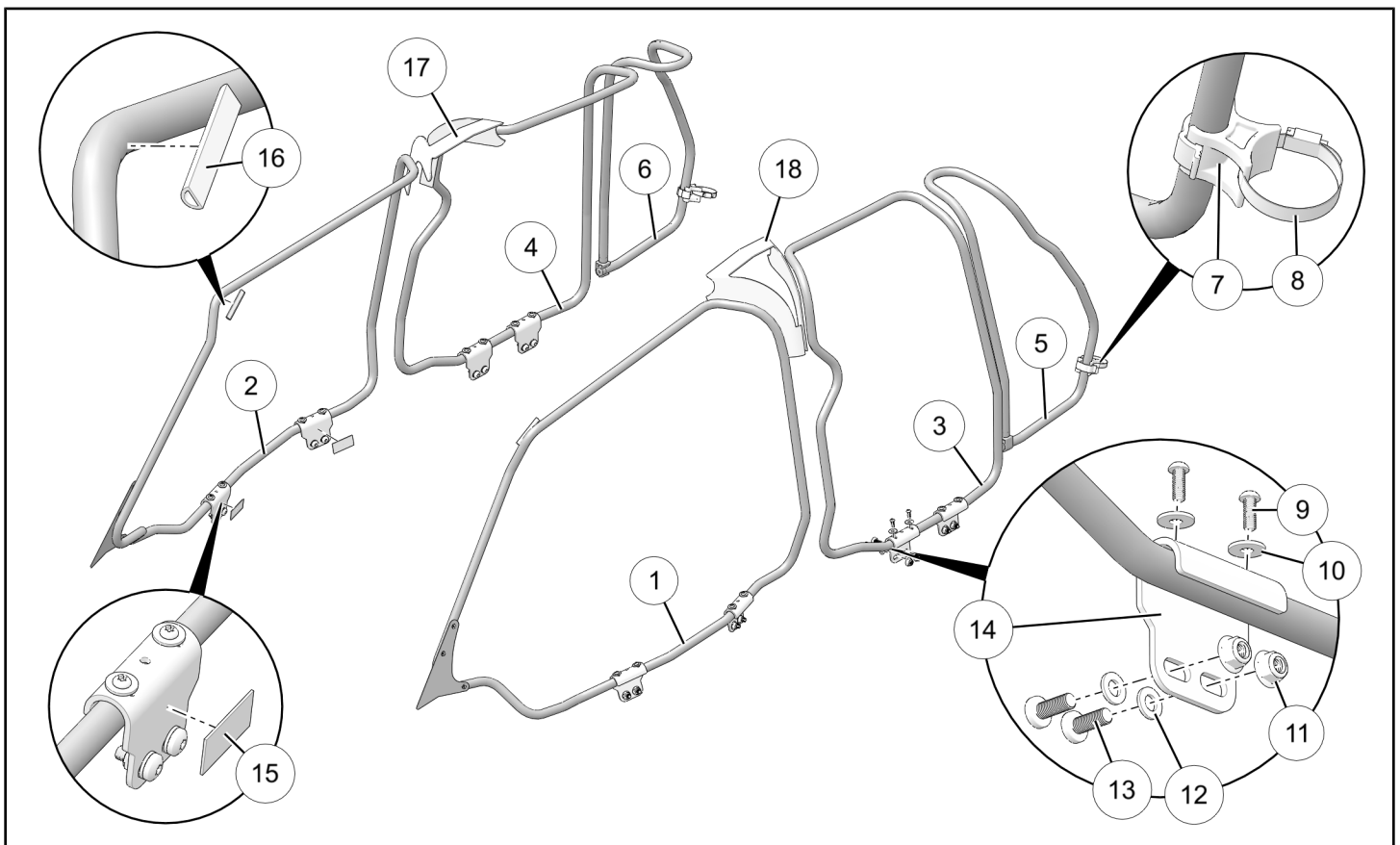
Read these instructions and check to be sure all parts and tools are accounted for. Please retain these installation instructions for future reference and parts ordering information.

KIT CONTENTS

This Kit includes:

NOTE

Fabric not shown for clarity.



REF	QTY	PART DESCRIPTION	PART NUMBER
1	1	Door, Front LH	-
2	1	Door, Front RH	-
3	1	Door, Rear LH	-
4	1	Door, Rear RH	-
5	1	Window, Rear LH	-
6	1	Window, Rear RH	-
7*	2	Bracket, Window	
8*	2	Clamp, Band	

REF	QTY	PART DESCRIPTION	PART NUMBER
9*	16	Screw, Torx® - M6 X 1.0 X 16	-
10*	16	Washer - 6.4 X 18.0 X 1.8	-
11*	16	Nut, Hex Flange - M8 X 1.25, 8	-
12*	16	Washer - 8.5 X 20.5 X 1.5	-
13*	16	Screw, Torx® - M8 X 1.25 X 20	-
14*	8	Bracket, Door	-
15*	4	Adhesive Strip, Hook	-
16*	2	D-seal - 2.75 in	-
17*	1	Cover, B-Pillar, RH	-
18*	1	Cover, B-Pillar, LH	-
19*	6	Pads, Alcohol (not shown)	-
20*	1	Threadlocker (not shown)	-

Parts marked (*) are included in Hardware Kit PN 2205294.

TOOLS REQUIRED

- Safety Glasses
- Screwdriver Set, Torx®
- Socket Set, Torx® Bit
- Socket Set, Metric
- Torque Wrench

IMPORTANT

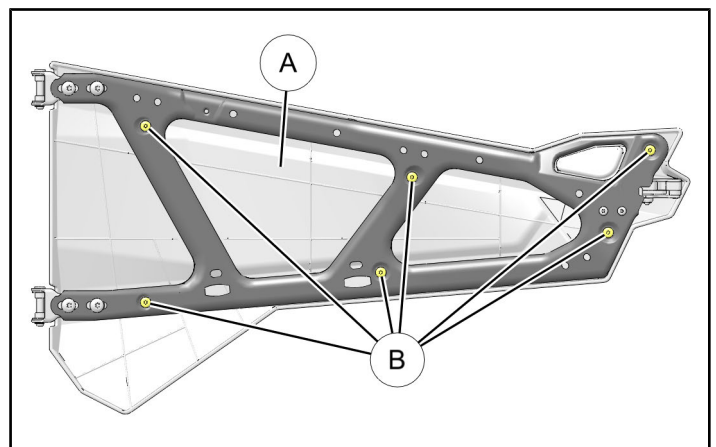
Your Upper Door Kit is exclusively designed for your vehicle. Please read the installation instructions thoroughly before beginning. Installation is easier if the vehicle is clean and free of debris. For your safety, and to ensure a satisfactory installation, perform all installation steps correctly in the sequence shown.

INSTALLATION INSTRUCTIONS

VEHICLE PREPARATION

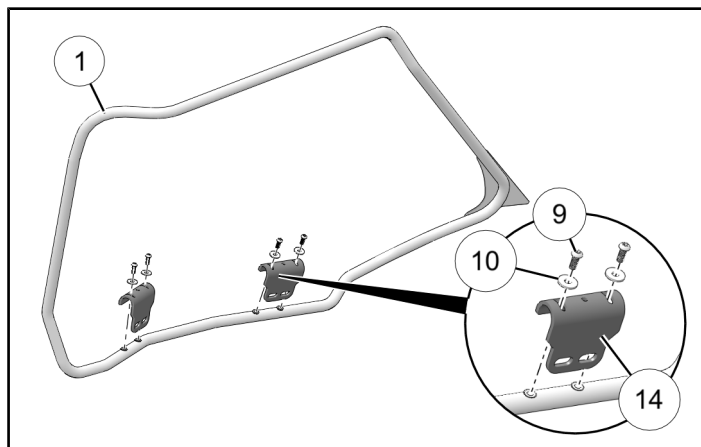
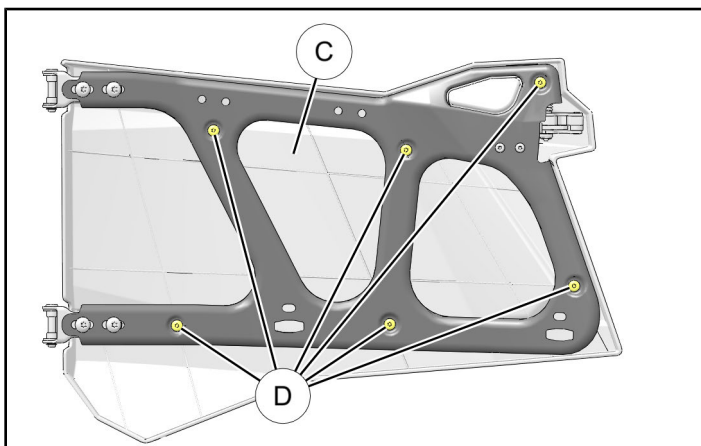
1. Shift vehicle transmission into "PARK". Turn ignition switch to "OFF" position and remove key.
2. Apply threadlocker ⑳ to all screws ⑨ and ⑬ per instructions on package. Allow threadlocker to dry before installation.
3. Remove outer door panels.
 - a. Remove outer panel Ⓐ from left front door by removing six screws Ⓑ. Set panel aside. Retain screws.

Repeat for right front door.

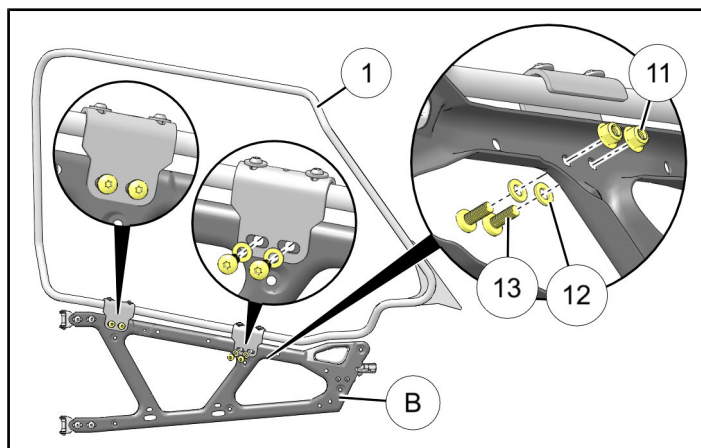


- b. Remove outer panel (C) from left rear door by removing six screws (D). Set panel aside. Retain screws.

Repeat for right rear door.



3. Loosely install (upper) front LH door (1) to corresponding vehicle door frame (B) using four each screws (13), washers (12), and nuts (11). Ensure nuts are installed on OUTBOARD side of vehicle door frame as shown.

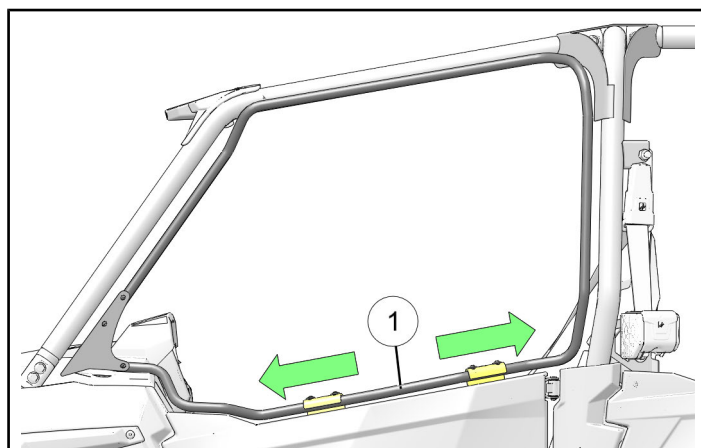


4. Center door (1) front to rear, between A-pillar and B-pillar, then tighten four screws (13). See previous Step 3.

Torque screws to specification.

TORQUE

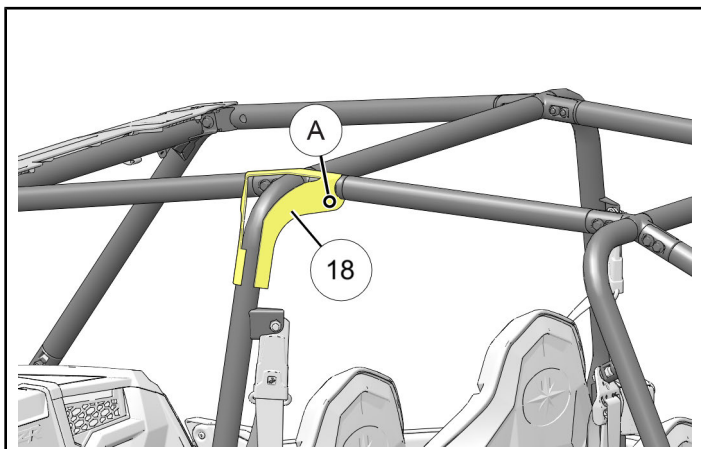
18 ft-lbs (24 N·m)



INSTALL UPPER FRONT DOORS

1. RH B-pillar cover (17) and LH B-pillar cover (18) look similar. Identify cover which places the 3/16 inch (5 mm) identification hole (A) on REAR side of B-pillar to ensure proper ROPS fitment.

Install LH cover (18) to ROPS using three hook and loop straps.



2. Loosely install bracket (14) to (upper) front LH door (1) using two each screws (9) and washers (10). Ensure proper orientation: Short curved leg of bracket is on OUTBOARD side of upper door as shown.

Repeat for second bracket.

- Pivot door ① as required to achieve desired seal compression and door fairing, then tighten four screws ⑨. See previous Step 2.

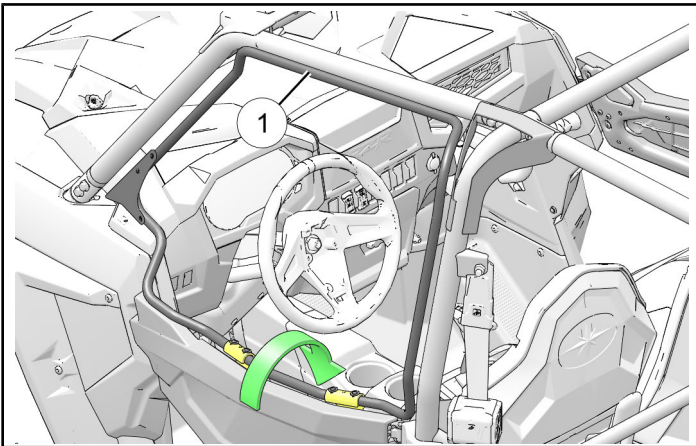
Torque screws to specification.

TORQUE

12 ft-lbs (16 N·m)

TIP

Open vehicle door, then pivot (upper) door ① slightly further inboard before tightening screws. The additional angle provides greater seal compression. Unzip window for easier access.

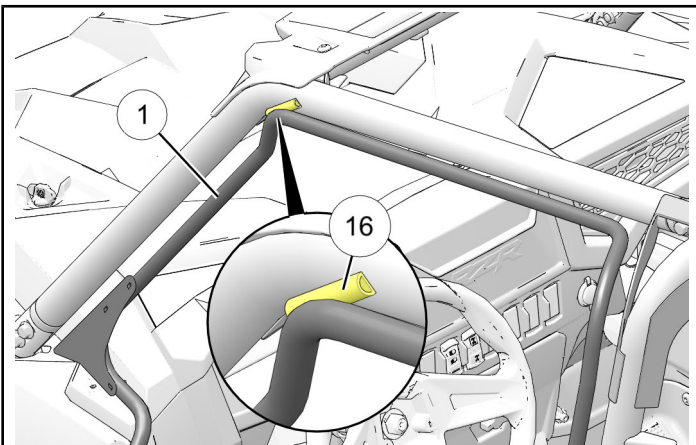


⚠ CAUTION

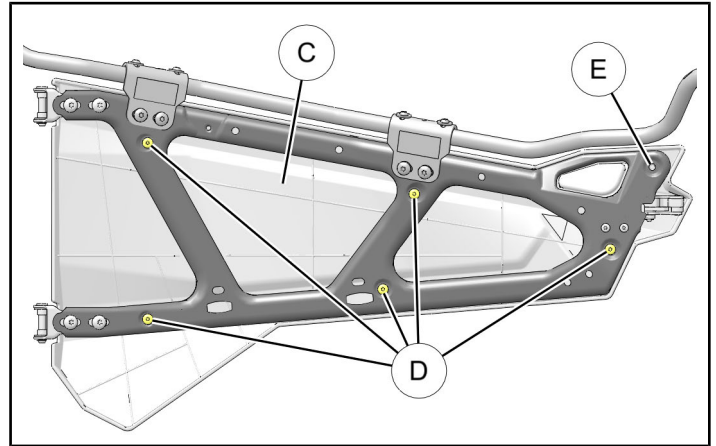
Follow all manufacturer's recommendations for alcohol pad use, including personal protective equipment. Failure to comply may result in injury.

- Determine mounting location for D-seal ⑯ to fill any gap between upper forward corner of door ① and ROPS tubing.

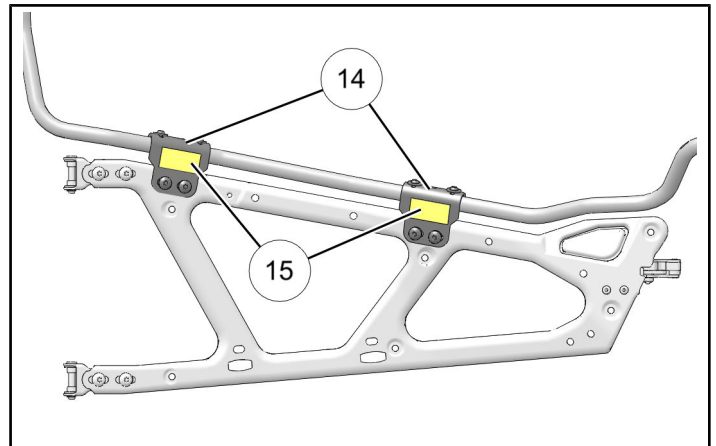
Clean installation surface as required using alcohol pad ⑰, peel adhesive backing from seal, then press firmly into place.



- Reinstall outer panel ③ to left front door using five retained screws ④. Do not reinstall screw ⑤ at this time.



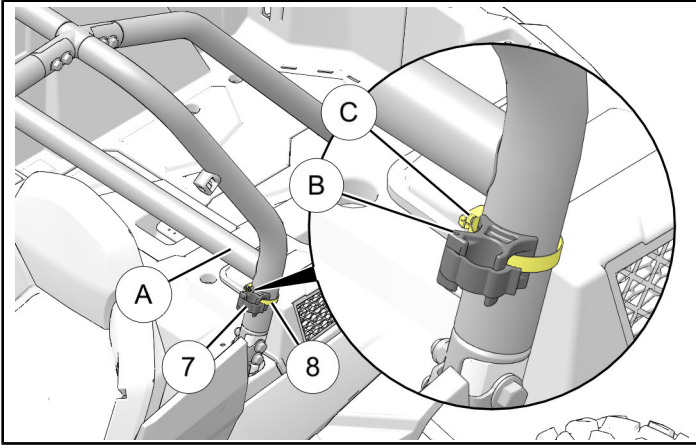
- Attach strap at LOWER front corner of door ① to vehicle door using remaining screw ⑤.
- Peel adhesive backing from two hook adhesive strips ⑮, then apply to inboard side of brackets ⑭ at locations shown. Press tape firmly into place, then secure window fabric to strips.



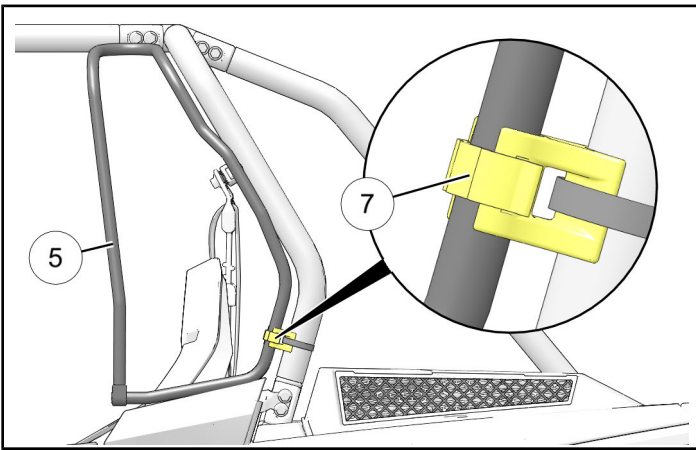
- Attach strap at UPPER front corner of door ① (near top of A-pillar) to ROPS tubing.
 - Detach loop side of strip (with adhesive backing) from hook side of strip (sewn to door).
 - Determine mounting location for loop side of strip on ROPS tubing.
 - Clean installation surface as required using alcohol pad ⑰, peel adhesive backing from strip, then press firmly into place.
- Repeat Steps 1–10 for RH side of vehicle using RH parts shown in previous section, **KIT CONTENTS**.

INSTALL REAR WINDOWS

1. Assemble window bracket ⑦ to to ROPS C-pillar using band clamp ⑧. Ensure the following:
 - Band clamp ⑧ is positioned below horizontal ROPS tubing ①
 - Latch hinge pin ② and clamp worm drive ③ are on INBOARD side of ROPS tubing



2. Install left rear window ⑤ to window bracket ⑦, then close latch. Secure top of window to ROPS tubing using two hook and loop straps.



3. Tighten band clamp.

TORQUE

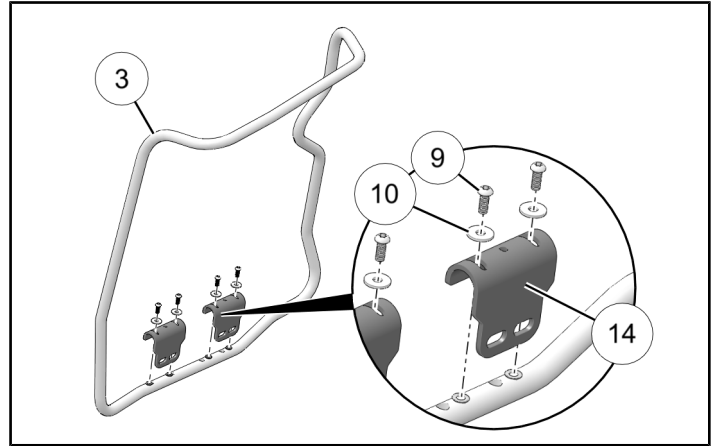
5 ft-lbs (7 N·m)

4. Repeat Steps 1–3 for RH side of vehicle.

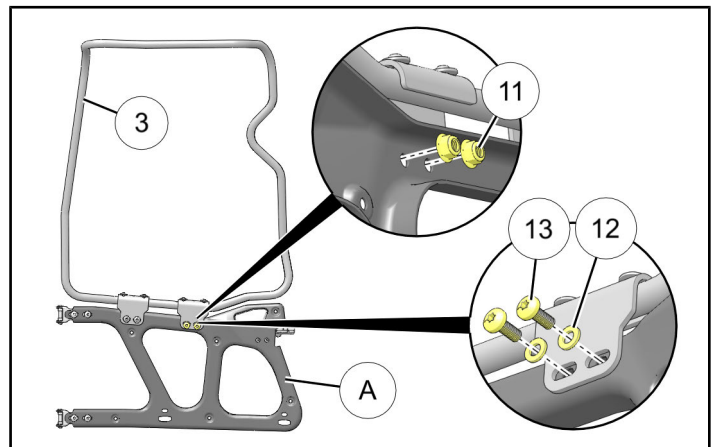
INSTALL UPPER REAR DOORS

1. Loosely install bracket ⑭ to (upper) rear LH door ③ using two each screws ⑨ and washers ⑩. Ensure proper orientation: Short curved leg of bracket is on OUTBOARD side of upper door as shown.

Repeat for second bracket.



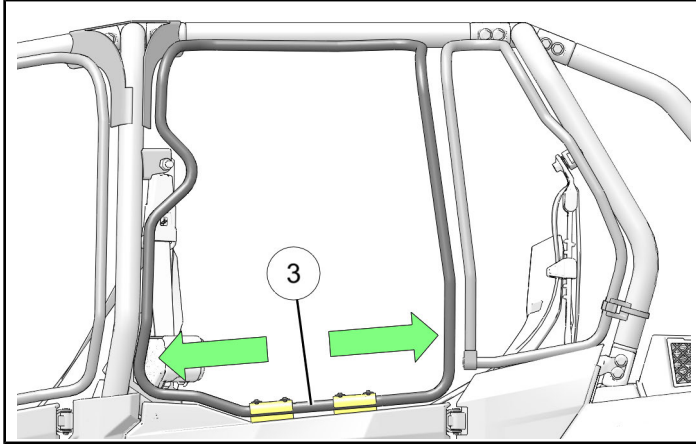
2. Loosely install (upper) rear LH door ③ to corresponding vehicle door frame ① using four each screws ⑬, washers ⑭, and nuts ⑮. Ensure nuts are installed on OUTBOARD side of vehicle door frame as shown.



- Center door ③ front to rear, between B-pillar and rear window, then tighten four screws ⑬. See previous Step 2.

Torque screws to specification.

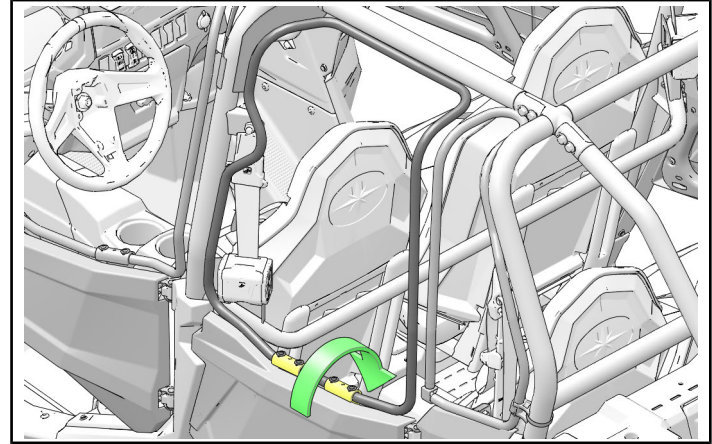
TORQUE
18 ft-lbs (24 N·m)



- Pivot door ③ as required to achieve desired seal compression and door fairing, then tighten four screws ⑨. See previous Step 1.

Torque screws to specification.

TORQUE
12 ft-lbs (16 N·m)



- Reinstall outer panel to left rear door using six retained screws. See section, **VEHICLE PREPARATION**, Step 3b.
- Repeat Steps 1–5 for RH side of vehicle using RH parts shown in previous section, **KIT CONTENTS**.

OPERATION

- During vehicle operation upper forward corner of front doors can be secured to ROPS using hook and loop straps. See section, **INSTALL UPPER FRONT DOORS**, Step 10.

Detach strap from ROPS to exit vehicle.

- Door latch buttons can be accessed from outside vehicle by unzipping fabric and reaching through opening.
- Front and rear door windows can be unzipped, rolled down, and secured with hook and loop straps.

FEEDBACK FORM

A feedback form has been created for the installer to provide any comments, questions or concerns about the installation instructions. The form is viewable on mobile devices by scanning the QR code or by clicking [HERE](#) if viewing on a PC.

⚠ WARNING

If transporting vehicle in non-enclosed trailer then vehicle must **FACE FORWARD**, and upper forward corner of front doors must be **SECURED** to ROPS using hook and loop straps. Otherwise, upper doors and rear windows must be removed.

Failure to comply may allow airflow, vibration, or other factors to separate doors and/or windows from vehicle and cause an accident, resulting in serious injury or death.

See section, **INSTALL FRONT DOORS**, Step 10.

