

GLASS WINDSHIELD KIT

P/N 2879447

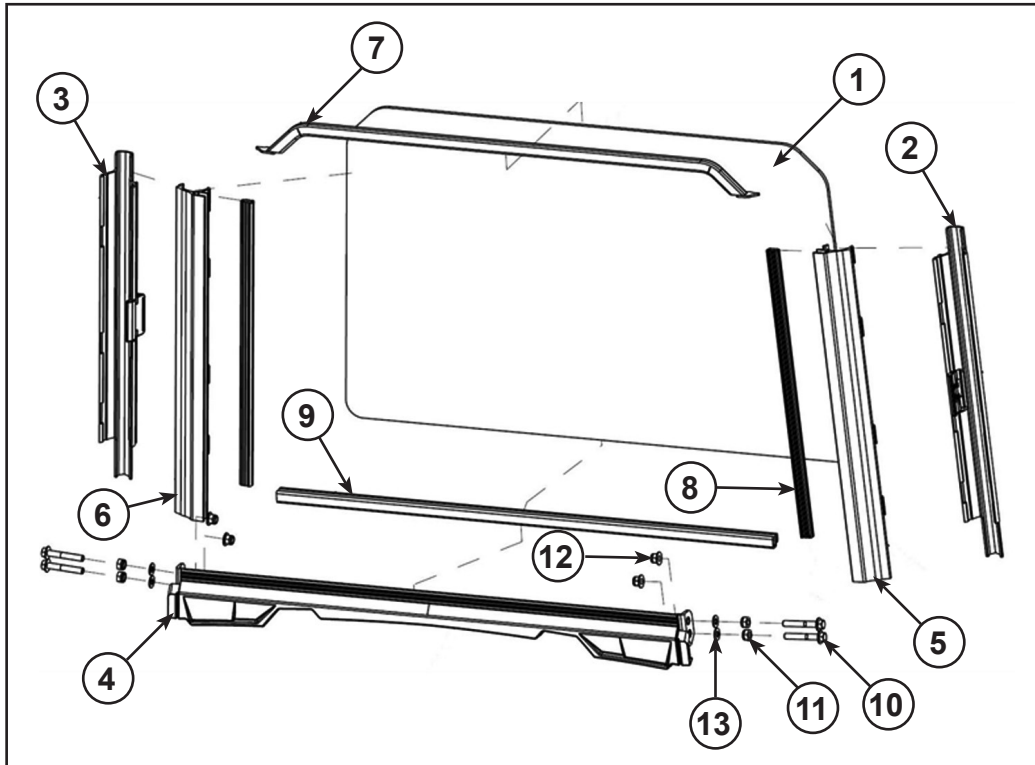
Application

RZR XP 1000



POLARIS[®]

Before you begin, read these instructions twice and check to be sure all parts and tools are accounted for. Please retain these installation instructions for future reference and parts ordering information.



Kit Contents:

<u>Ref</u>	<u>Qty</u>	<u>Part Description</u>	<u>Part Number</u>
1	1	Glass Windshield, 6.8 LAM	2635079
2	1	Windshield Extrusion Assembly, LR, ALU	2635311
3	1	Windshield Extrusion Assembly, RR, ALU	2635312
4	1	Mount Base Assembly, Full Windshield	2635314
5	1	Extrusion MACH, Front Windshield, LH, ALU	5138943
6	1	Extrusion MACH, Front Windshield, RH, ALU	5138944
7*	1	Windshield Top Seal Assembly, Fulfix	2635313
8*	2	Windshield Side Seal, Fulfix	5414786
9*	1	Windshield Bottom Seal, Fulfix	5414929-920
10*	4	Screw-HXFL-M10X1.5X65 10.9 RIE	7519903
11*	4	Nut-HEX-M10X1.5 8 Z Nylon	7547268
12*	4	Nut-M10X1.5, HXFLG, Nylon INS	7547313
13*	4	Washer-3/8, FW SAE STL THRU-HRD	7556153
	1	Instructions	9924550

Items marked (*) are included in Hardware Kit PN 2205171.

Tools Required:

Safety Goggles

Metric Socket Set

Metric Wrench Set

IMPORTANT: Your Polaris GLASS WINDSHIELD is exclusively designed for your vehicle. Please read the installation instructions thoroughly before beginning. Installation is easier if the vehicle is clean and free of debris. For your safety and to ensure a satisfactory installation, perform all installation steps correctly and in the sequence shown.

APPROXIMATE ASSEMBLY TIME: 20-25 minutes

INSTALLATION INSTRUCTIONS:

1. Place the vehicle in "PARK". Turn the key to the "OFF" position and remove from the vehicle.
2. Remove the upper bolt and nut from left side of the vehicle and then insert the longer bolt (PN 7519903) and nut (PN 7547268). Figure 1.

IMPORTANT: Do not remove both (top and bottom) the bolts simultaneously, this may cause problems in realigning the holes of ROPS.

NOTE: Hand tighten the nut ensuring that there is enough space to hold the washer (PN 7556153).

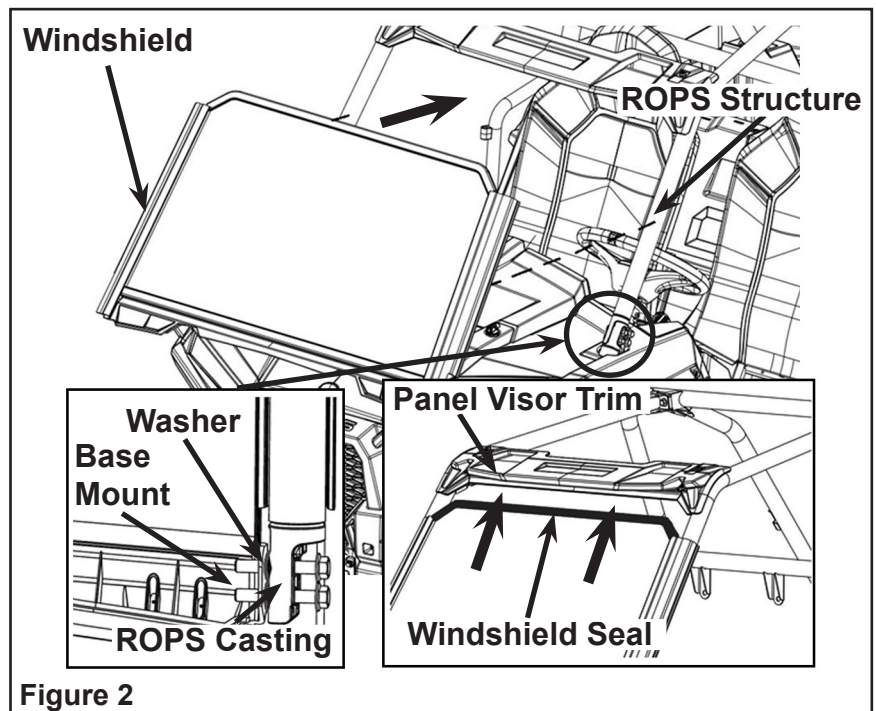
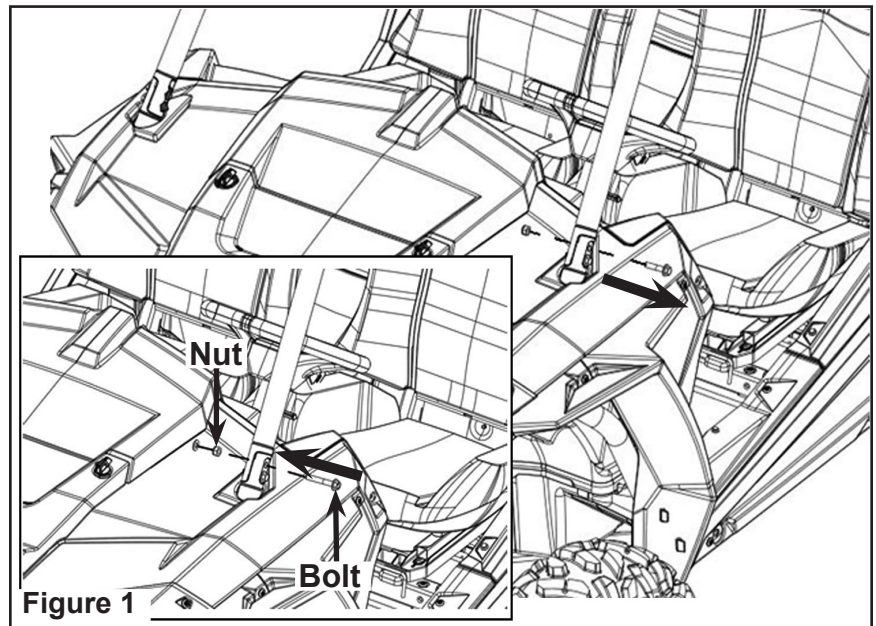
IMPORTANT: Make sure the washer (PN 7556153) is installed between the base mount, windshield (PN 2635314) and ROPS casting. Figure 2.

3. Repeat Step 2 for lower bolt and nut at the bottom of ROPS.
4. Follow the Step 2 and Step 3 to the opposite side of the vehicle.
5. Install the windshield assembly (PN 2635079) onto the ROPS structure.

IMPORTANT: Make sure that top windshield seal (PN 2635313) fits into the profile of panel visor trim. Figure 2.

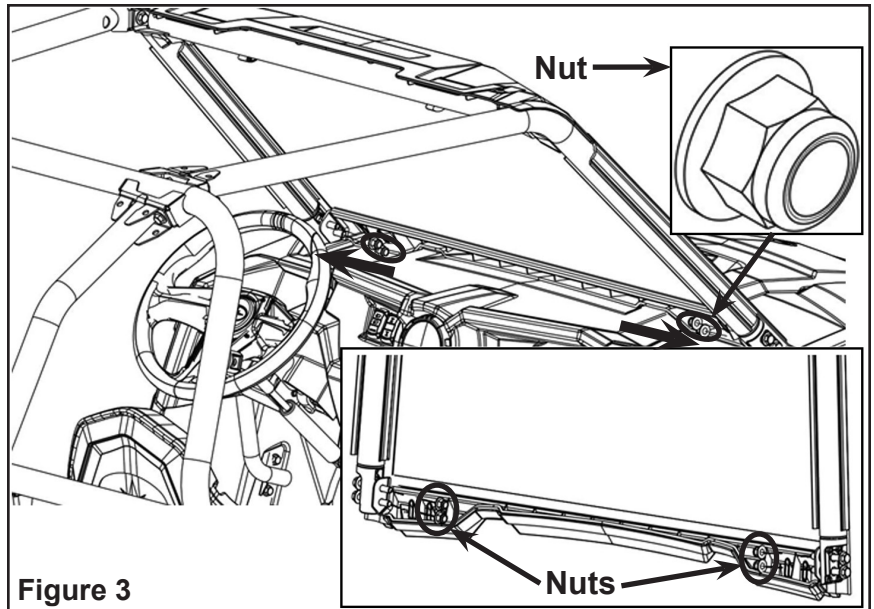
6. Tighten the nut (PN 7547268) from outside.

NOTE: Torque to 40 ft. lbs. (54.2 Nm).



7. Install the nuts (PN 7547313) at four locations Figure 4.

NOTE: Torque the nut to 16 ft. lbs. (21.6 Nm).



8. Install the windshield extrusions (PN 2635311 and PN 2635312) by applying pressure on the latch and sliding it. Figure 4.

NOTE: The direction of slide action is indicated by the arrows. Release the latch when extrusion is in lock position.

