

HALF WINDSHIELD KIT



P/N 2883754

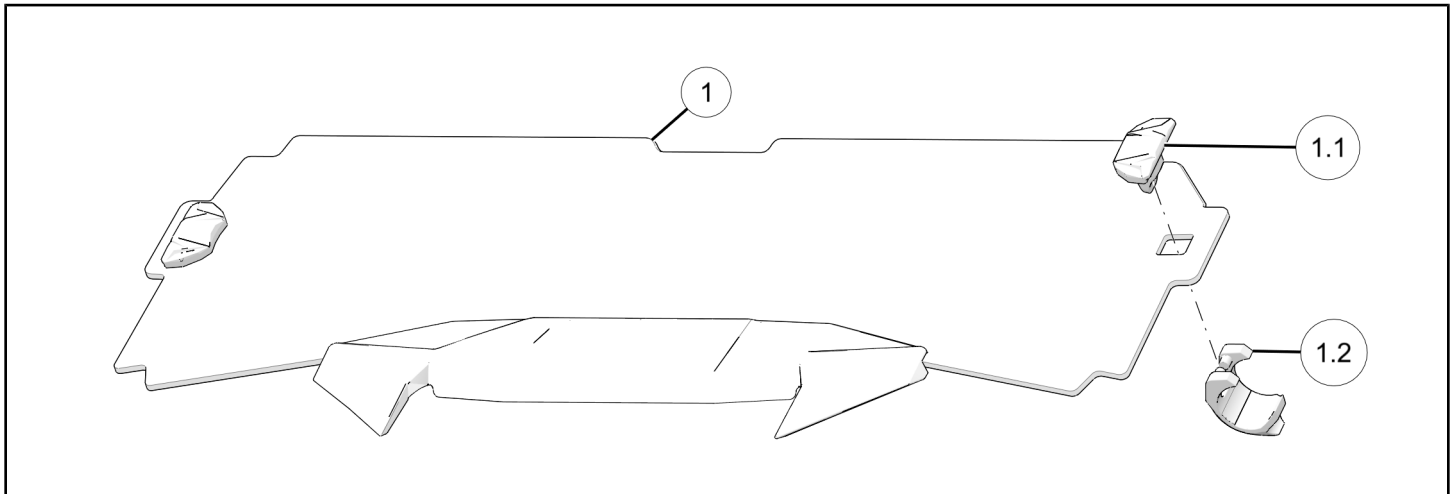
APPLICATION

Verify accessory fitment at Polaris.com.

BEFORE YOU BEGIN

Read these instructions and check to be sure all parts and tools are accounted for. Please retain these installation instructions for future reference and parts ordering information.

KIT CONTENTS



REF	QTY	PART DESCRIPTION	P/N AVAILABLE SEPARATELY	AVAILABLE HARDWARE KIT
1	1	Assembly–Windshield, Half, Polycarbonate	n/a	n/a
1.1	1	- Clamp–Lock & Ride®, Base, 2 in.	5455627	2207767
1.2	1	- Clamp–Lock & Ride®, Lever, 2 in.	5455628	2207767

TOOLS REQUIRED

None

IMPORTANT

Your Half Windshield Kit is exclusively designed for your vehicle. Please read the installation instructions thoroughly before beginning. Installation is easier if the vehicle is clean and free of debris. For your safety, and to ensure a satisfactory installation, perform all installation steps correctly in the sequence shown.

INSTALLATION INSTRUCTIONS

NOTE

Two installers are recommended for this installation.

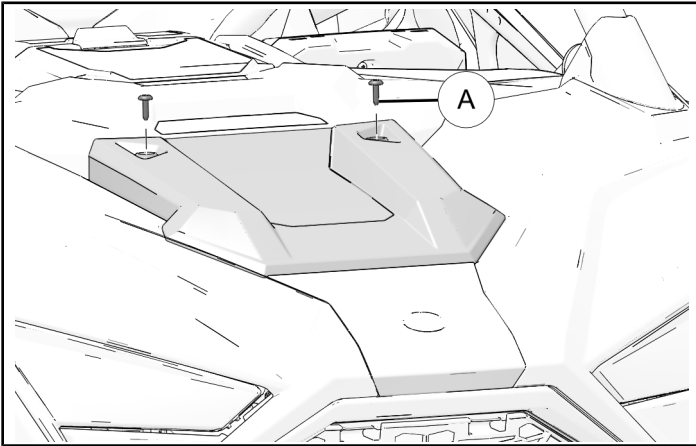
VEHICLE PREPARATION

GENERAL

1. Shift vehicle transmission into PARK. Turn key to OFF position and remove from vehicle.

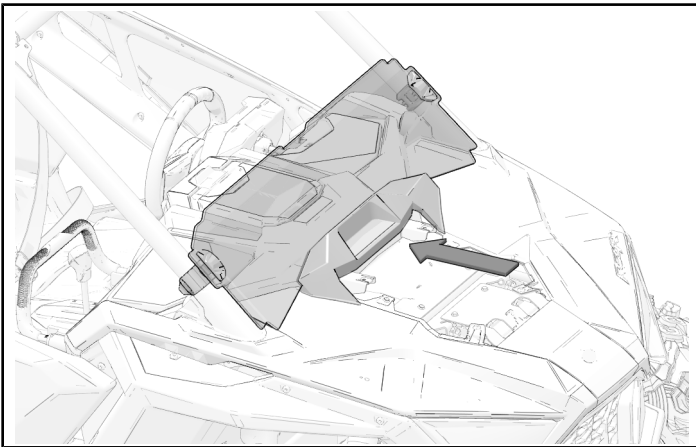
CENTER HOOD PANEL REMOVAL

1. Remove and retain two hood fasteners (A). Slide hood towards rear of vehicle to remove.

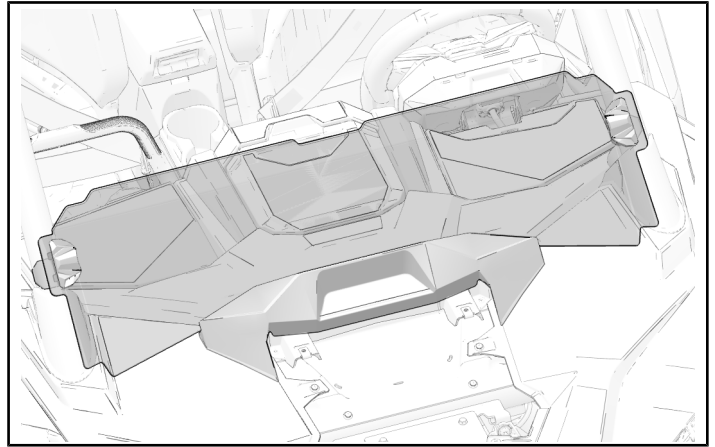


ACCESSORY INSTALLATION

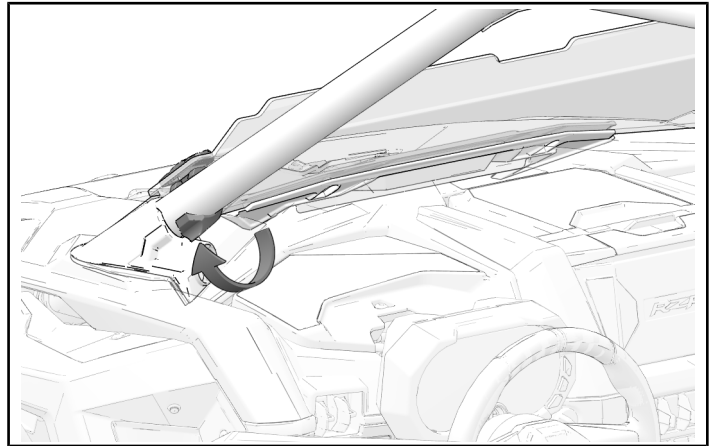
1. Place windshield atop hood and lean on ROPS.



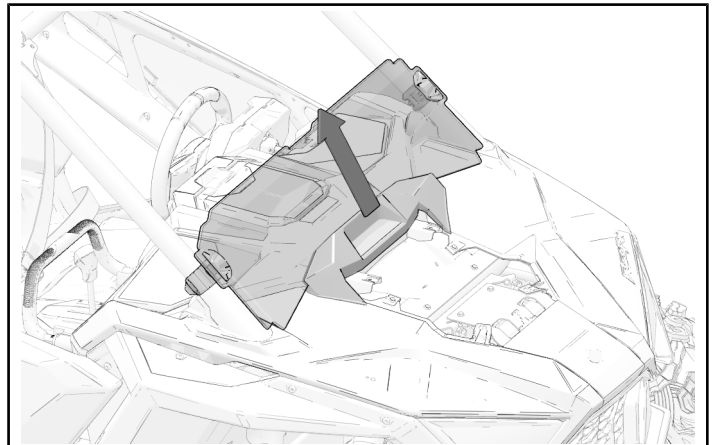
2. Ensure base of windshield aligns with hood.



3. With windshield in correct position, secure to ROPS with two Lock & Ride® clamps.



4. Windshield may need repositioning. If needed, release clamps and slide windshield up along ROPS.



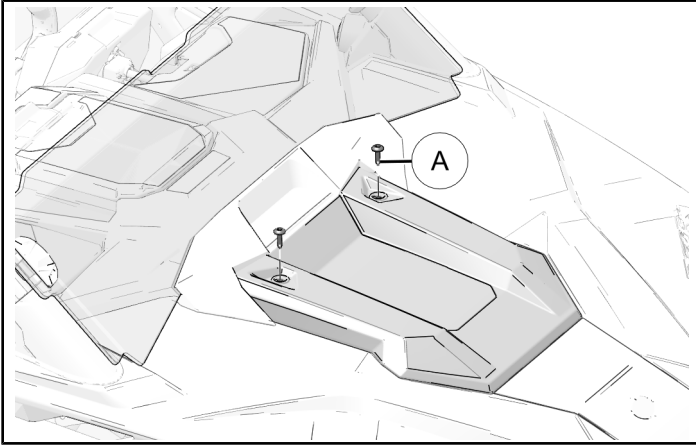
VEHICLE REASSEMBLY

GENERAL

1. Slide panel forward until tabs slide into front hood panel and install with two hood fasteners (A).

TORQUE

Hood Fasteners (A):
89 in-lbs (10 N·m)



FEEDBACK FORM

A feedback form has been created for the installer to provide any comments, questions or concerns about the installation instructions. The form is viewable on mobile devices by scanning the QR code or by clicking [HERE](#) if viewing on a PC.

