

DOOR BAG KIT



P/N 2882697

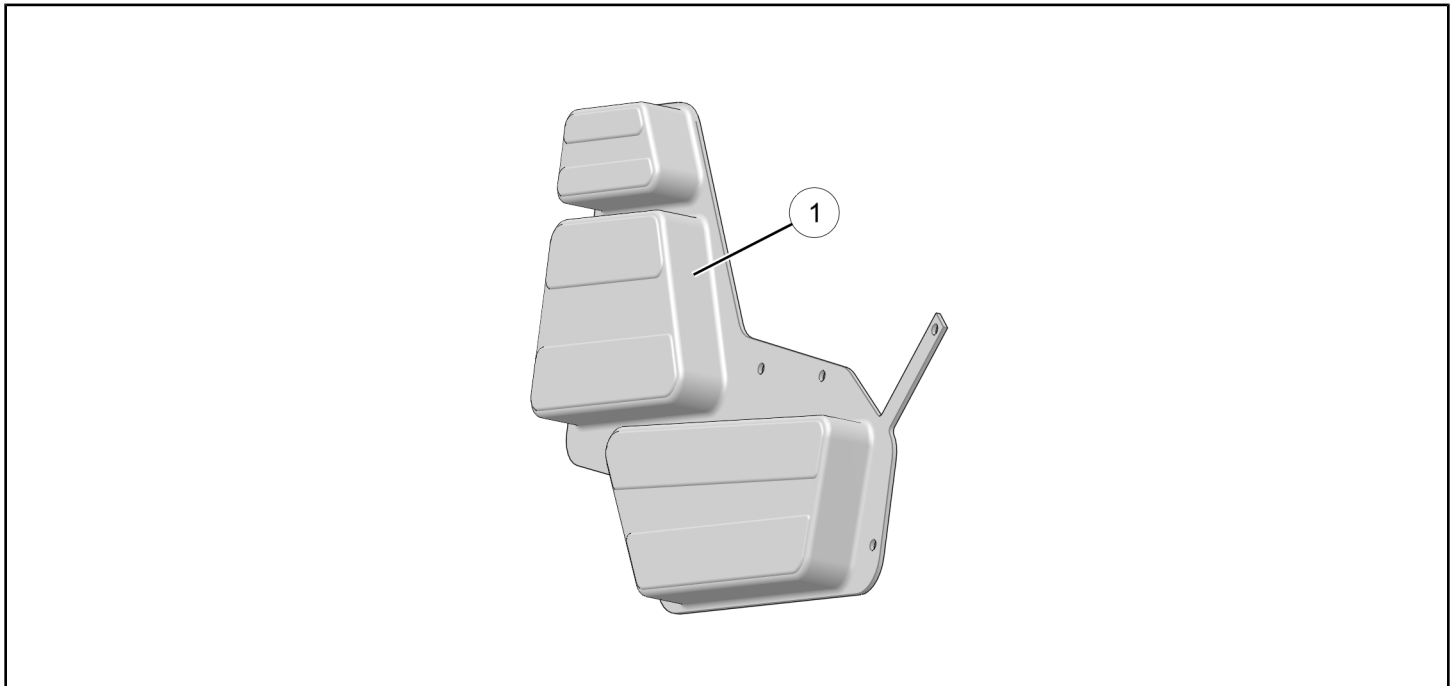
APPLICATION

Verify accessory fitment at Polaris.com.

BEFORE YOU BEGIN

Read these instructions and check to be sure all parts and tools are accounted for. Please retain these installation instructions for future reference and parts ordering information.

KIT CONTENTS



REF	QTY	PART DESCRIPTION	PART NUMBER
1	1	Door Bag	-
2	9	Push Darts (not shown)	-
	1	Instructions	9927966

TOOLS REQUIRED

- Safety Glasses
- Screwdriver Set, Torx®

IMPORTANT

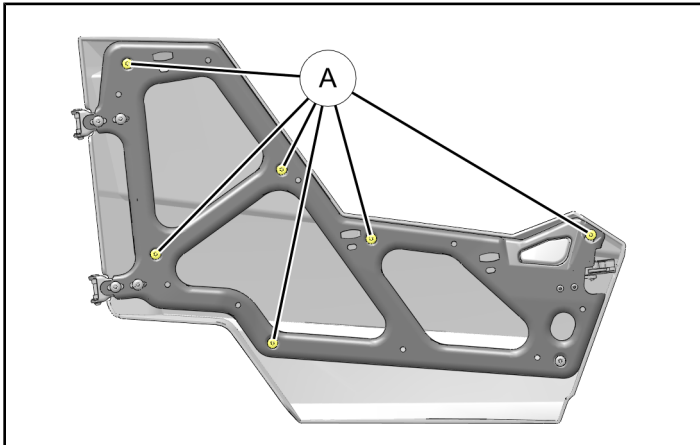
Your Door Bag Kit is exclusively designed for your vehicle. Please read the installation instructions thoroughly before beginning. Installation is easier if the vehicle is clean and free of debris. For your safety, and to ensure a satisfactory installation, perform all installation steps correctly in the sequence shown.

ASSEMBLY TIME

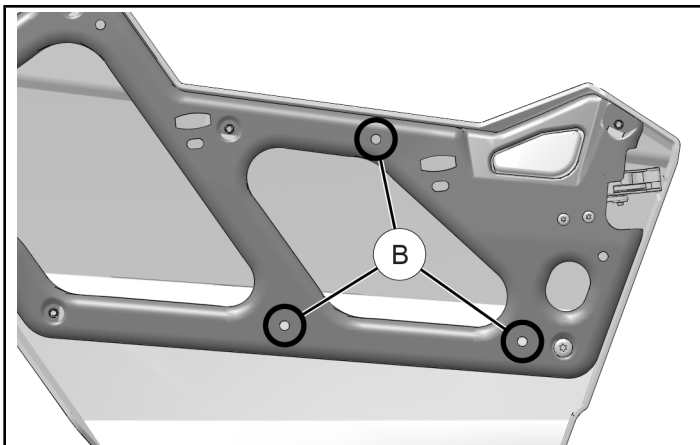
Approximately 10 minutes

INSTALLATION INSTRUCTIONS

1. Shift vehicle transmission into "PARK". Turn ignition switch to "OFF" position and remove key.
2. Remove six screws (A) from LH door, inner frame. Retain screws.



3. Identify three empty fastener holes (B). These will be used for push darts in Step 5.

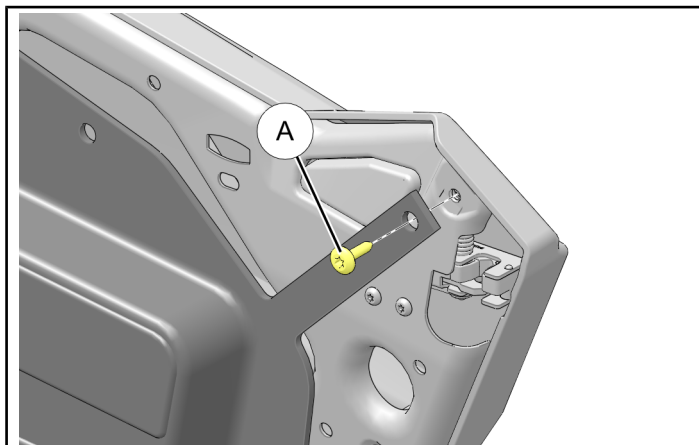


4. Install door bag (1) to door using six retained screws (A) through bag grommets into original holes.

NOTE

One screw is reinstalled in center pocket (upper front corner), and one screw is reinstalled in lower pocket (lower rear corner).

Screw at upper front corner of door frame is used to secure strap.



5. Install three push darts (2) through bag grommets into fastener holes (B).

NOTE

One push dart is installed in lower pocket. Spare push darts are provided for convenience.

FEEDBACK FORM

A feedback form has been created for the installer to provide any comments, questions or concerns about the installation instructions. The form is viewable on mobile devices by scanning the QR code or by clicking [HERE](#) if viewing on a PC.

FEEDBACK FORM

