

# LOWER DASH BAG KIT



**P/N 2883332**

## APPLICATION

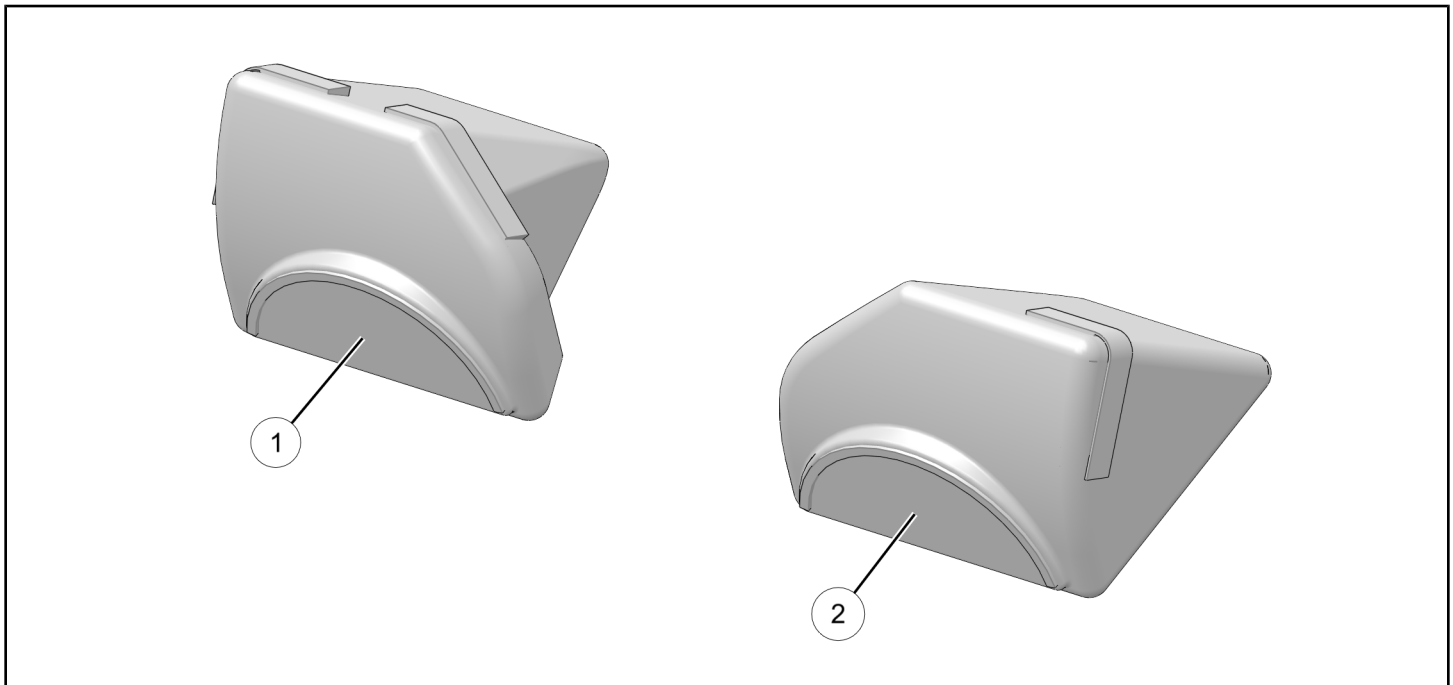
Verify accessory fitment at [Polaris.com](http://Polaris.com).

## BEFORE YOU BEGIN

Read these instructions and check to be sure all parts and tools are accounted for. Please retain these installation instructions for future reference and parts ordering information.

## KIT CONTENTS

This Kit includes:



REF	QTY	PART DESCRIPTION	PART NUMBER
1	1	Lower Dash Bag, LH	2636960
2	1	Lower Dash Bag, RH	2636961
	1	Instructions	9928535

## TOOLS REQUIRED

None

## IMPORTANT

Your Lower Dash Bag Kit is exclusively designed for your vehicle. Please read the installation instructions thoroughly before beginning. Installation is easier if the vehicle is clean and free of debris. For your safety, and to ensure a satisfactory installation, perform all installation steps correctly in the sequence shown.

## ASSEMBLY TIME

Approximately 5 minutes

## INSTALLATION INSTRUCTIONS

1. Shift vehicle transmission into "PARK". Turn ignition switch to "OFF" position and remove key.
2. Clean LH and RH lower dash compartments with warm water and soft towel, then wipe dry.
3. Carefully peel apart hook/loop strips on upper and lower sides of dash bag.

### NOTE

One strip remains attached to bag; mating strip (with adhesive backing) is detached.

4. Place dash bag into compartment and identify placement locations for each detached strip.

### NOTE

LH bag has two hook/loop strips on upper side; RH bag has only one hook/loop strip on upper side.

5. Peel off backing, apply detached strips inside dash compartment at noted locations, then install bag.

## FEEDBACK FORM

A feedback form has been created for the installer to provide any comments, questions or concerns about the installation instructions. The form is viewable on mobile devices by scanning the QR code or by clicking [HERE](#) if viewing on a PC.

### FEEDBACK FORM

