

WINCH KIT



P/N 2883758, 2883759

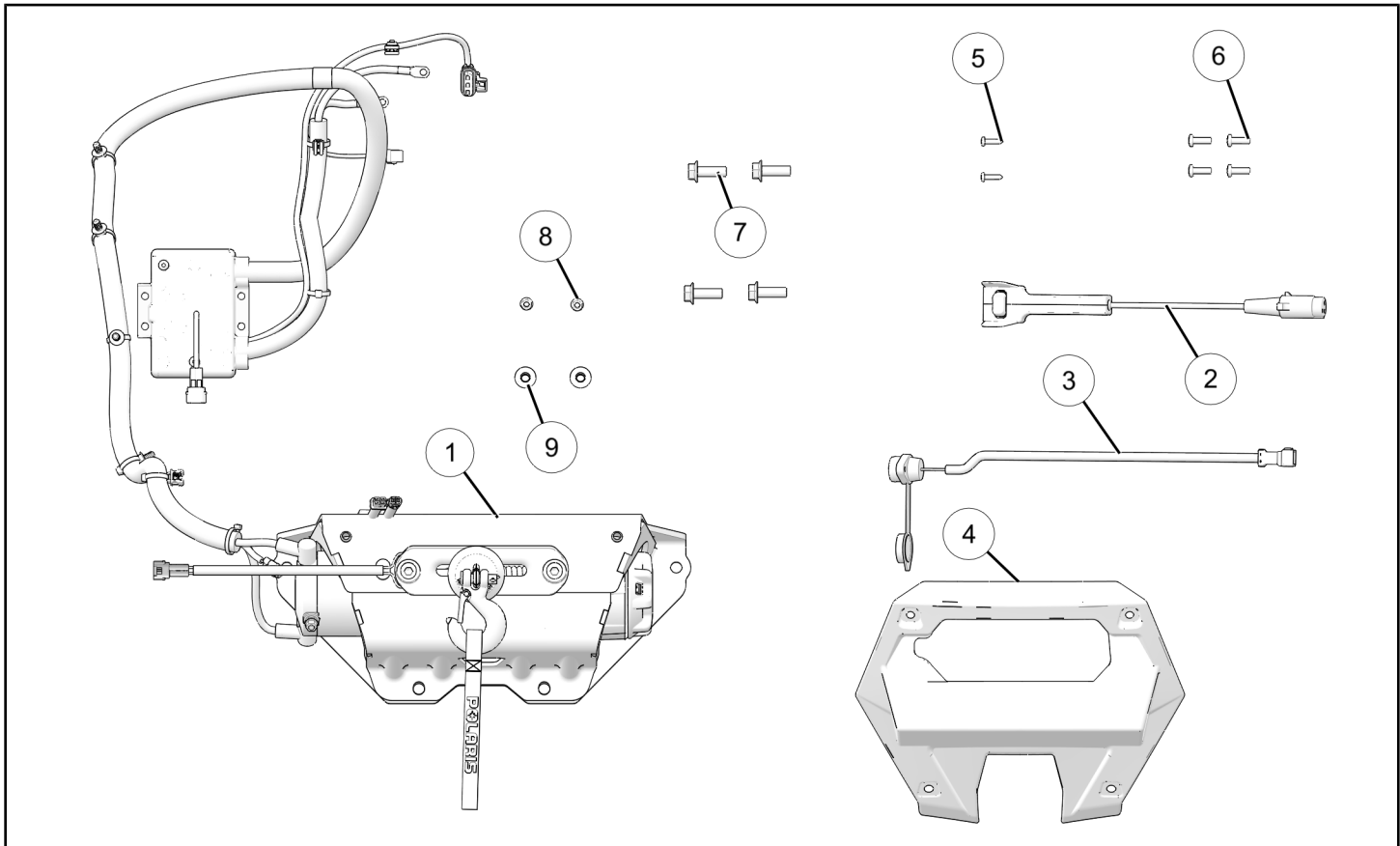
APPLICATION

Verify accessory fitment at Polaris.com.

BEFORE YOU BEGIN

Read these instructions and check to be sure all parts and tools are accounted for. Please retain these installation instructions for future reference and parts ordering information.

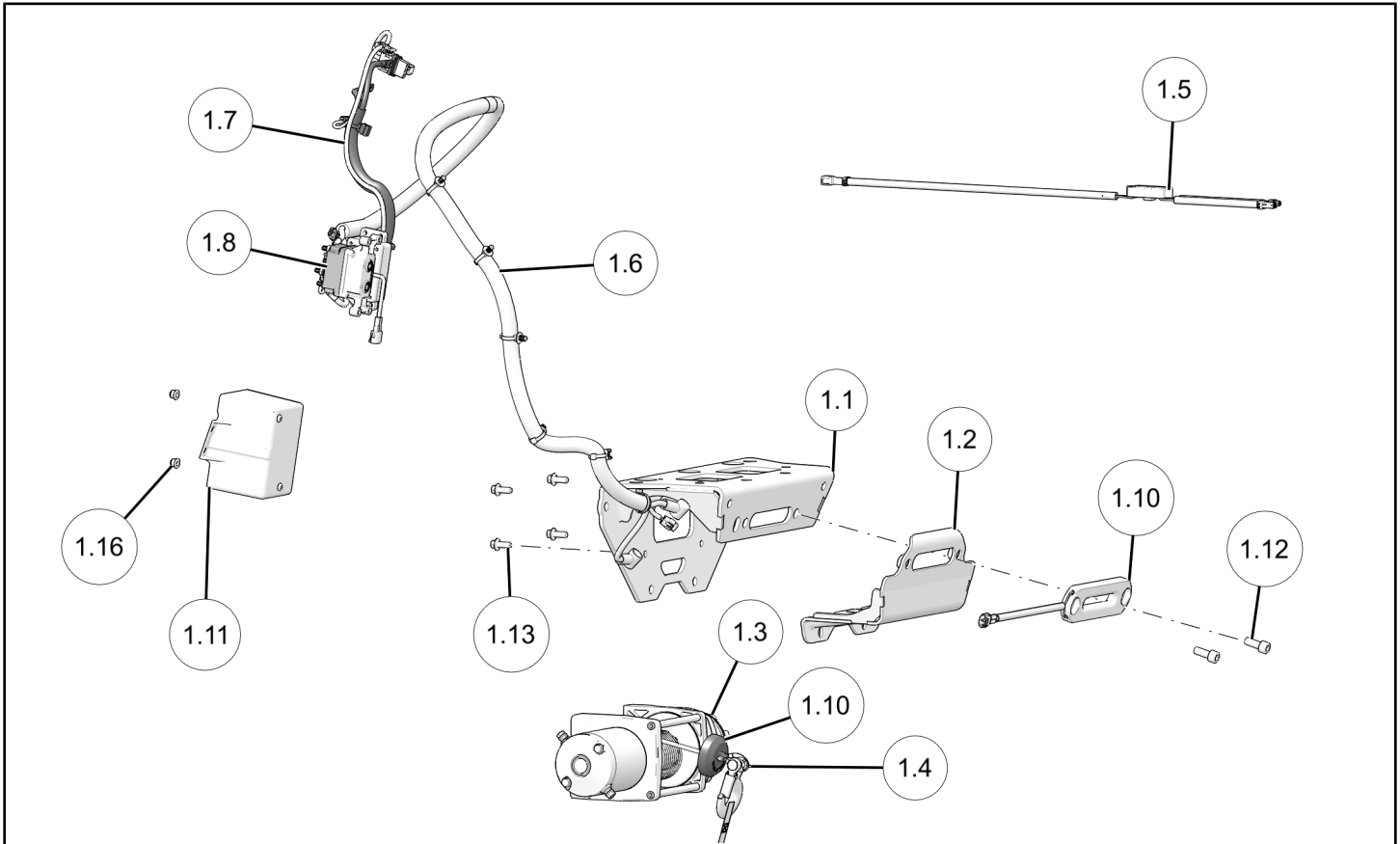
KIT CONTENTS



REF	QTY	PART DESCRIPTION	P/N AVAILABLE SEPARATELY	AVAILABLE HARDWARE KIT
1	1	Assembly–Winch, 4500 lb, Pro (see winch detail) Assembly–Winch, 6000 lb, Pro (see winch detail)	2637348 2637349	N/A
2	1	Remote–Switch, Winch	4013466	N/A
3	1	Socket–Winch, Remote	4017102	N/A
4	1	Cover–Winch	5455778	N/A
5	4	Screw–#10 x 3/4, Hi-Lo	7512026	2207830
6	4	Screw–Torx® Pan Head, #14 x 3/4, Hi/Lo	7519274	N/A
7	4	Screw–Hex Flange, M10 x 1.5 x 30	7519764	2207830
8	2	Nut–Hex Flange Head, M6, Serrated	7547270	2207830

REF	QTY	PART DESCRIPTION	P/N AVAILABLE SEPARATELY	AVAILABLE HARDWARE KIT
9	2	Nut, M10 x 1.5, Nylon Locking	7547423	2207830
10	1	Cable Tie, 11 in.	7080492	2207830
11	1	Remote–Wireless, Winch, Universal (not shown)	4017125	N/A
12	1	Holder–Remote, Wireless, Winch (not shown)	5454269	N/A
	1	Winch Guide	9923644	
	1	Instructions	9929248	

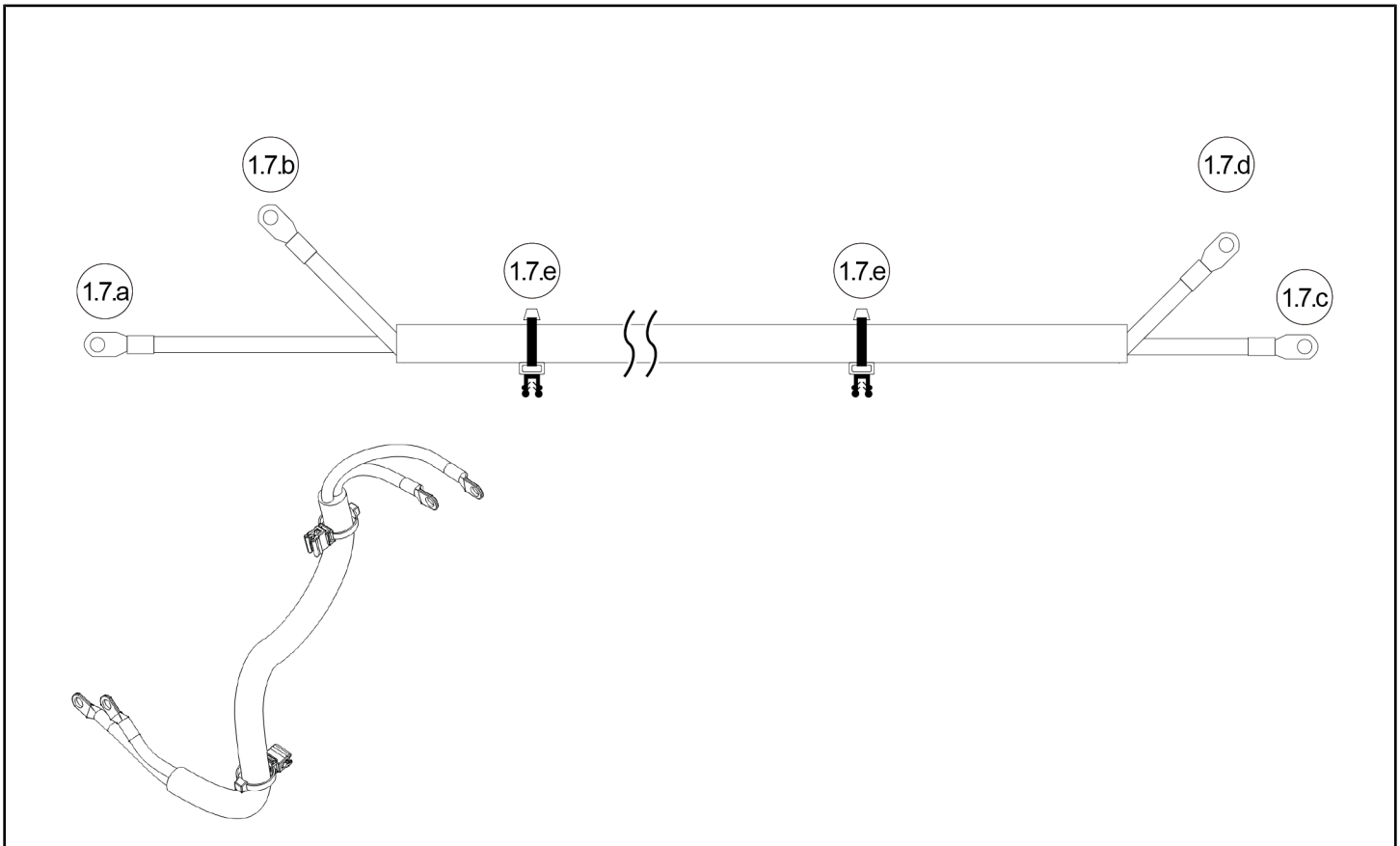
WINCH AND HARNESS DETAIL



REF	QTY	PART DESCRIPTION	P/N AVAILABLE SEPARATELY	AVAILABLE HARDWARE KIT
1	1	Assembly–Winch, 4500 lb, Pro (see winch detail) Assembly–Winch, 6000 lb, Pro	2637348 2637349	N/A
1.1	1	- Weld–Upper Mount Bracket, Winch	N/A	N/A
1.2	1	- Weld–Lower Mount Bracket, Winch	N/A	N/A
1.3	1	- Winch	2207977	N/A
1.4	1	- Hook–Winch, 5/16 in.	2412964	N/A
1.5	1	- Controller–Autostop, Winch	N/A	N/A
1.6	1	- Assembly–Harness, Control, Winch	2414724	N/A
1.7	1	- Assembly–Harness, Power	2414840	N/A

REF	QTY	PART DESCRIPTION	P/N AVAILABLE SEPARATELY	AVAILABLE HARDWARE KIT
1.8	1	- Contactor–Winch	4015095	N/A
1.9	1	- Fairlead	N/A	N/A
1.10	1	- Stop–Magnet, Bumper	N/A	N/A
1.11	1	- Box–Contactor/Wireless	5456014	N/A
1.12	2	- Screw–Socket Head, M10 x 1.5 x 25	7517358	2207830
1.13	4	- Screw–Hex Flange, M8 x 1.25 x 20	7517838	2207830
1.14	4	- Screw–Torx® Pan Head, #14 3/4 in, Hi/Lo	7519274	2207830
1.15	2	- Screw–Torx® Button head, M6 x 1.0 x 30	7519745	2207830
1.16	2	- Nut–Flange, M6, Nylon Locking	7547274	2207830

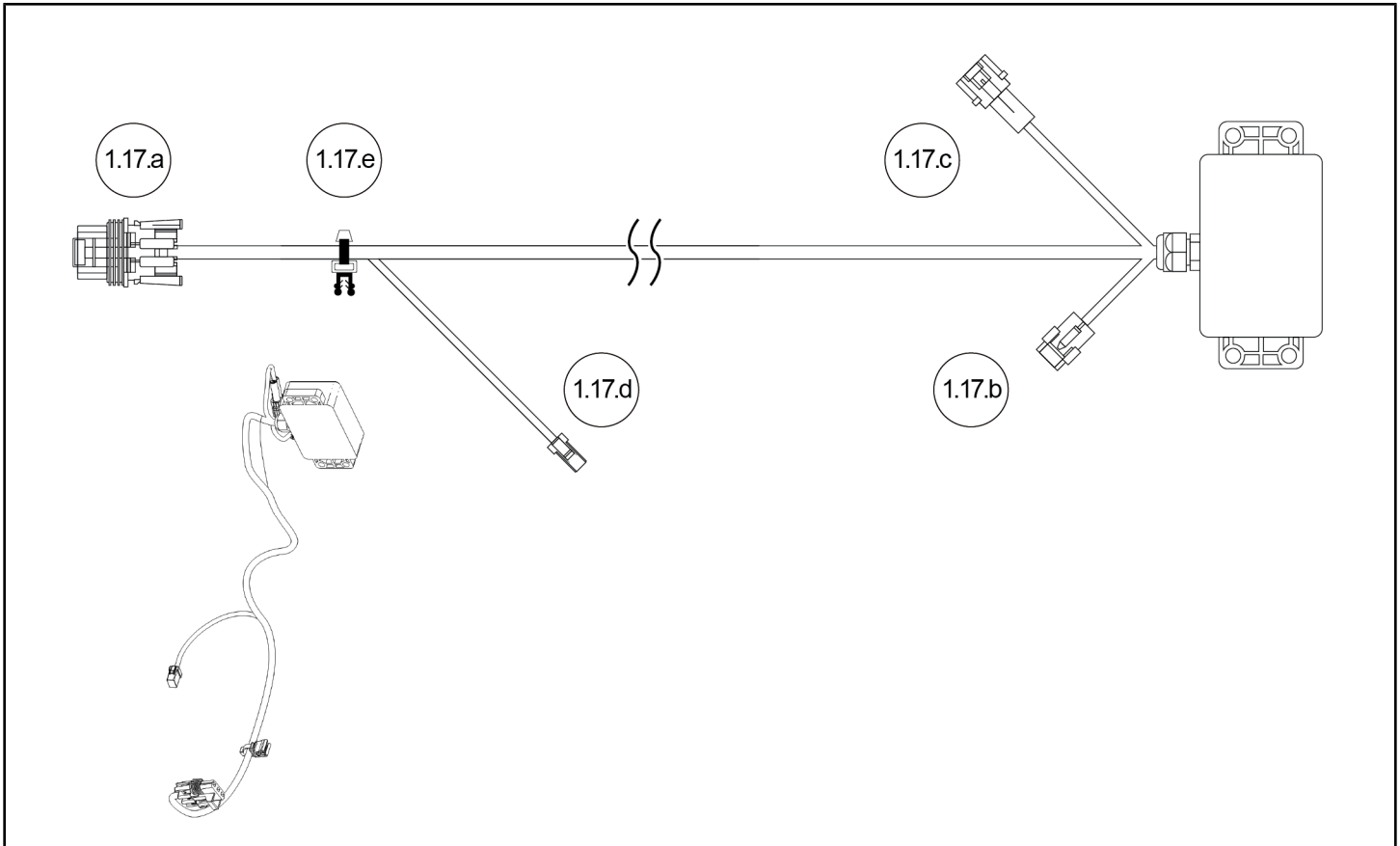
REF 1.7: ASSEMBLY–HARNESS, POWER
P/N 2414840



REF	PART DESCRIPTION	CONNECTS TO
1.7.a	Terminal–Ring, Terminal Block, 1/4 inch (6 mm)	Pulse™ terminal block , stud BAT –
1.7.b	Terminal–Ring, Terminal Block, 1/4 inch (6 mm)	Pulse™ terminal block , stud BAT +
1.7.c	Terminal–Ring, Winch Controller/Contactor	Pre-Connected
1.7.d	Terminal–Ring, Winch Controller/Contactor	Pre-Connected

REF	PART DESCRIPTION	CONNECTS TO
1.7.e	Clip, Edge (Routing)	Vehicle structure
*1.7.f	Grommet	Vehicle structure

REF 1.17: ASSEMBLY-HARNESS, POWER



REF	PART DESCRIPTION	PIN QTY/ GENDER	CONNECTS TO
1.17.a	Connector, Terminal Block	3 Pin Female	Pulse™ terminal block
1.17.b	Connector, Contactor	2 Pin Female	Pre-Connected
1.17.c	Connector, Auto Stop	2 Pin Male	Pre-Connected
1.17.d	Connector, Winch Remote	4 Pin Female	③ Socket-Winch, Remote
1.17.e	Clip, Edge (Routing)	-	Vehicle structure

TOOLS REQUIRED

- Safety Glasses
- Pliers, Push Pin Rivet
- Screwdriver Set, Torx®
- Socket Set, Metric
- Socket Set, Torx® Bit
- Torque Wrench
- Wrench Set, Metric

IMPORTANT

Your Winch Kit is exclusively designed for your vehicle. Please read the installation instructions thoroughly before beginning. Installation is easier if the vehicle is clean and free of debris. For your safety, and to ensure a satisfactory installation, perform all installation steps correctly in the sequence shown.

INSTALLATION INSTRUCTIONS

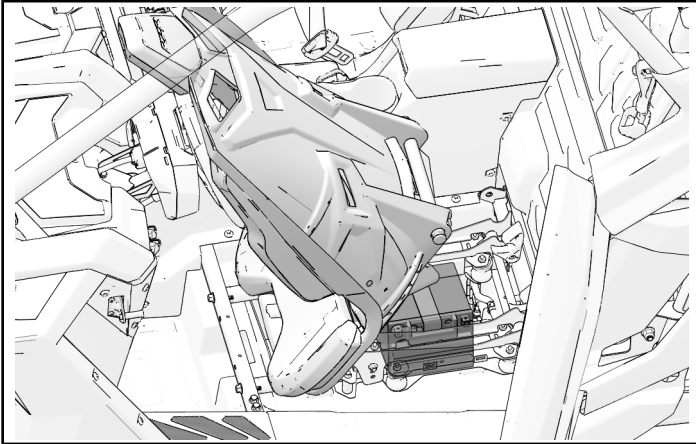
VEHICLE PREPARATION

GENERAL

1. Shift vehicle transmission into PARK. Turn key to OFF position and remove from vehicle.

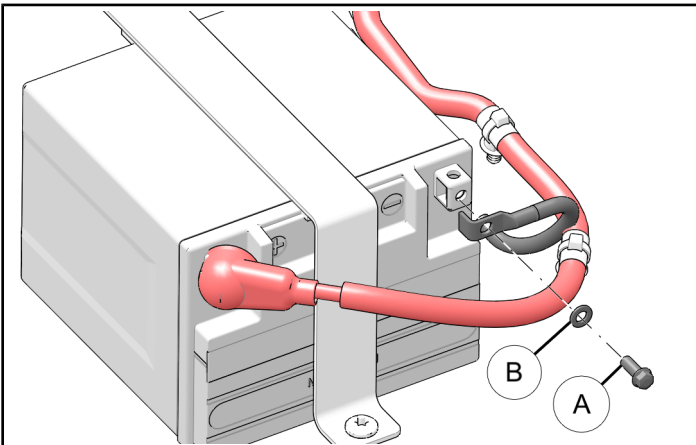
BATTERY ACCESS

1. Pull lever and tilt driver seat forward.



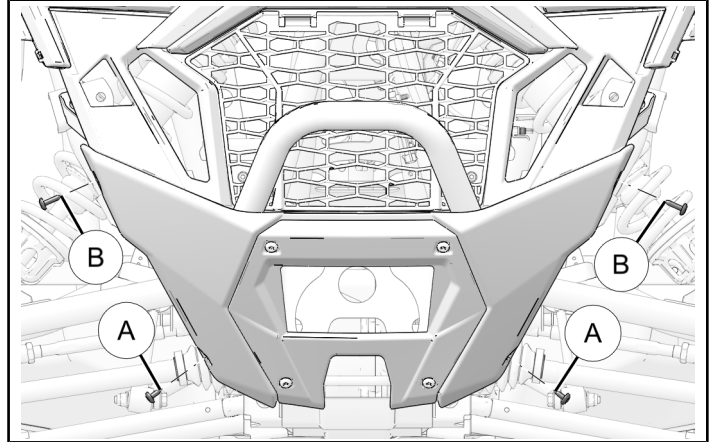
BATTERY DISCONNECT

1. Remove and retain battery terminal (A) and washer (B) to remove NEGATIVE battery cable.

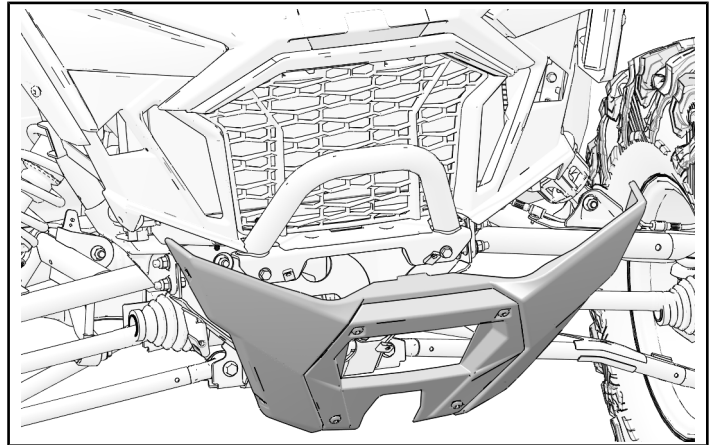


BUMPER FASCIA REMOVAL

1. Remove and retain one screw (A) and one screw (B) from each side of bumper fascia.



2. Remove bumper fascia from vehicle and carefully set aside.

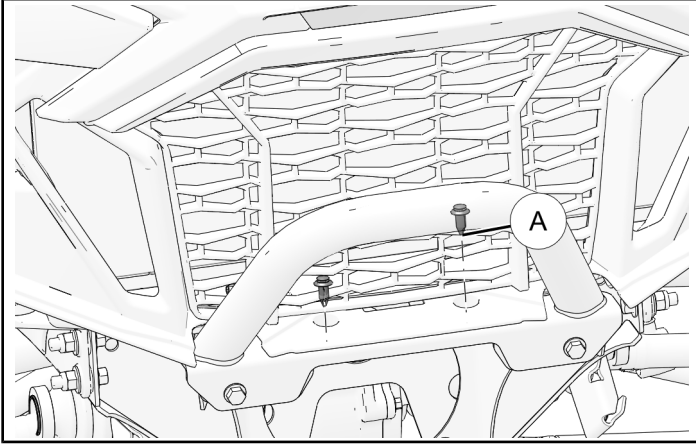


BUMPER ASSEMBLY REMOVAL

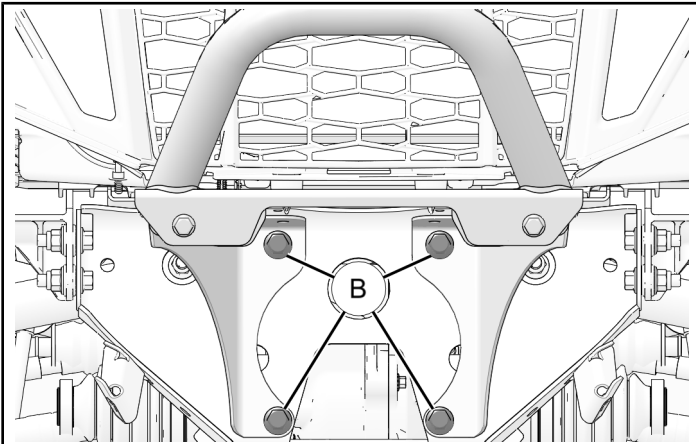
TIP

Front fascia is flexible and can be moved to access mounting hardware.

1. Remove and retain two push-pin rivets (A), holding front fascia to bull bumper.

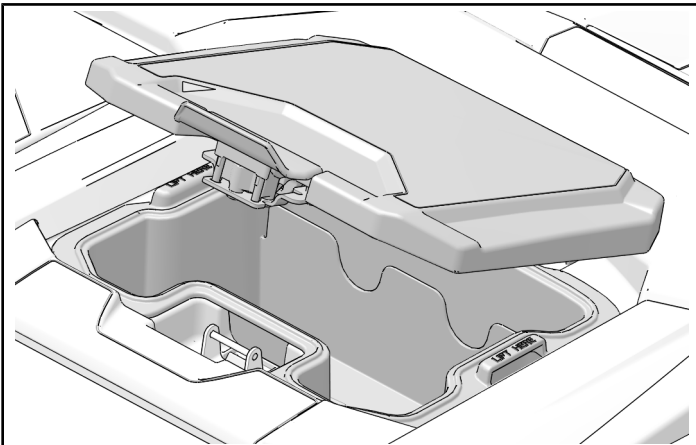


2. Remove four bumper bracket fasteners (B) to remove bumper assembly.

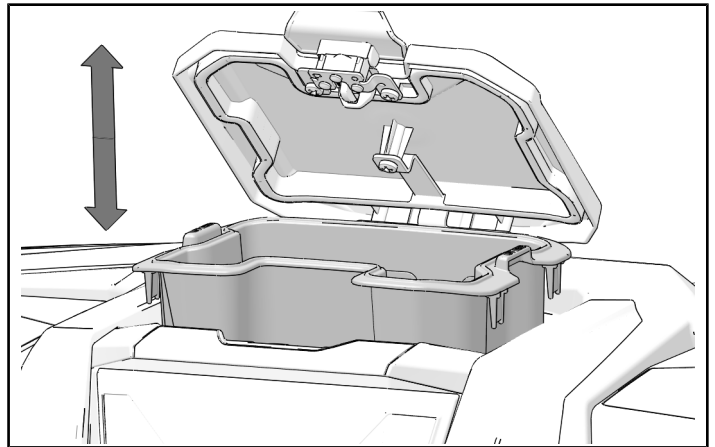


CENTER DASHBOARD STORAGE REMOVAL

1. Open center dashboard storage compartment.



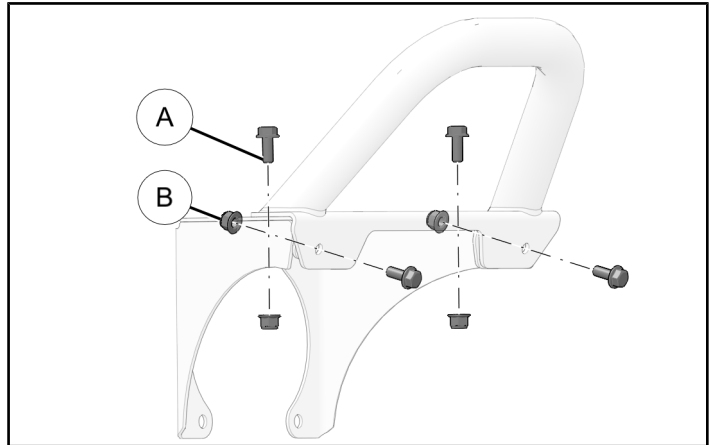
2. Remove storage compartment from dashboard.



ACCESSORY INSTALLATION

BUMPER DISASSEMBLY

1. Disassemble bull bumper from bumper brackets by removing four bumper fasteners (A) and four nuts (B). Retain four bumper fasteners (A) for reinstallation.

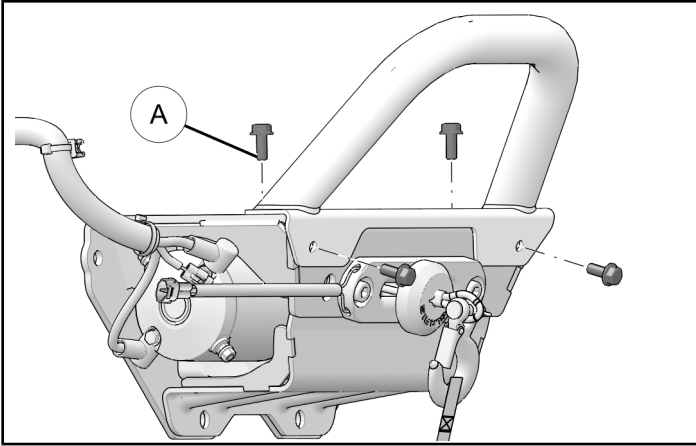


WINCH ASSEMBLY

1. Install bull bumper onto winch assembly with four retained bumper fasteners (A).

TORQUE

Bumper Fasteners (A):
15 ft-lbs (20 N·m)

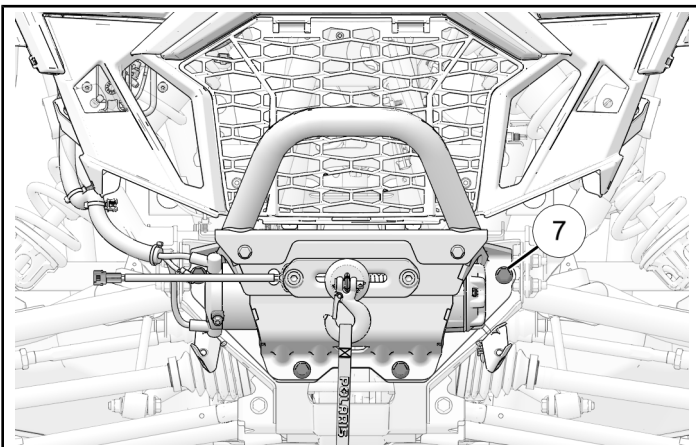


WINCH INSTALLATION

1. Install winch assembly to chassis with four winch mounting fasteners (7) and two nuts (9) (upper mounting location).

TORQUE

Winch Mounting Fasteners (7):
33 ft-lbs (45 N·m)

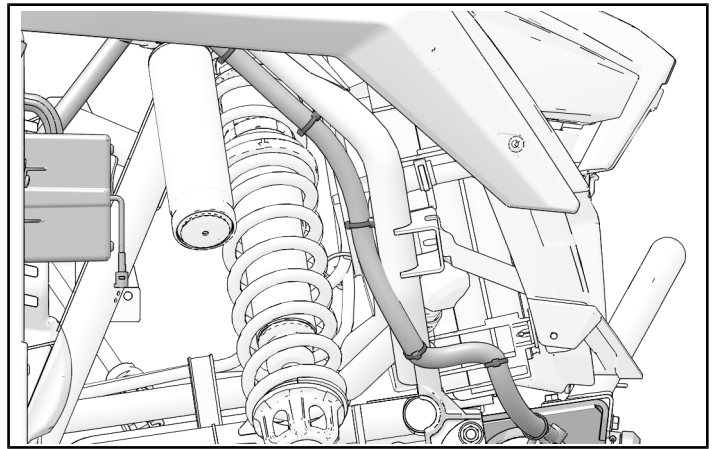


WINCH HARNESS ROUTING

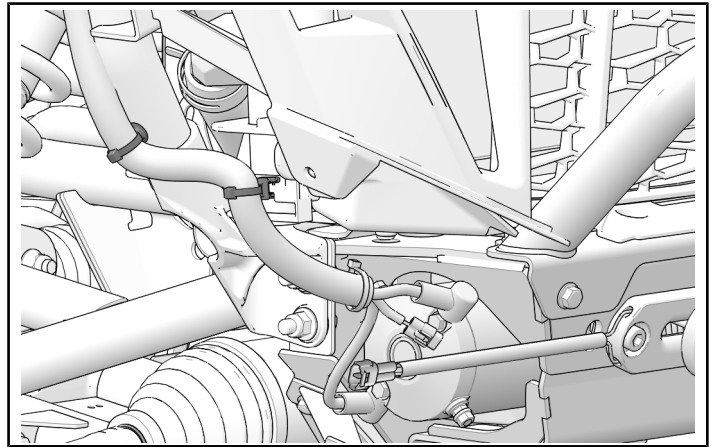
NOTE

Reference *Winch and Harness Detail* section for the following procedures.

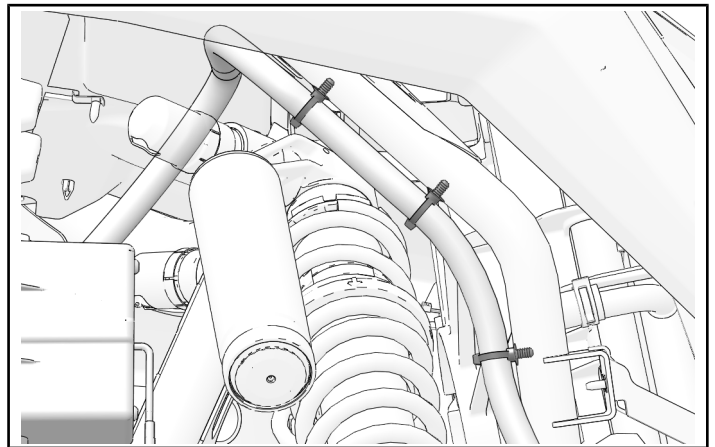
1. Route winch harness along chassis.



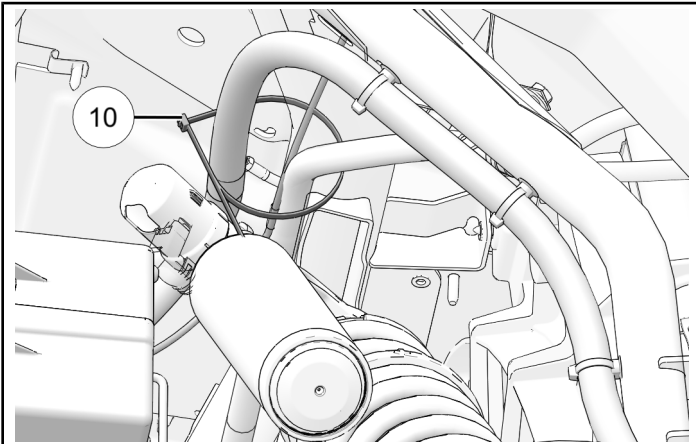
2. Secure to chassis with edge clip and push-pin clip.



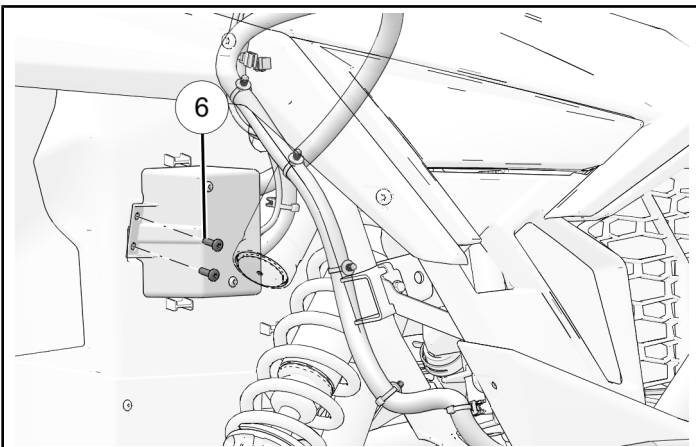
3. Secure to chassis with three push-pin clips.



4. Secure winch harness to chassis electrical harness with one cable tie ⑩ at location where chassis electrical harness is mounted to vehicle structure with edge clip.



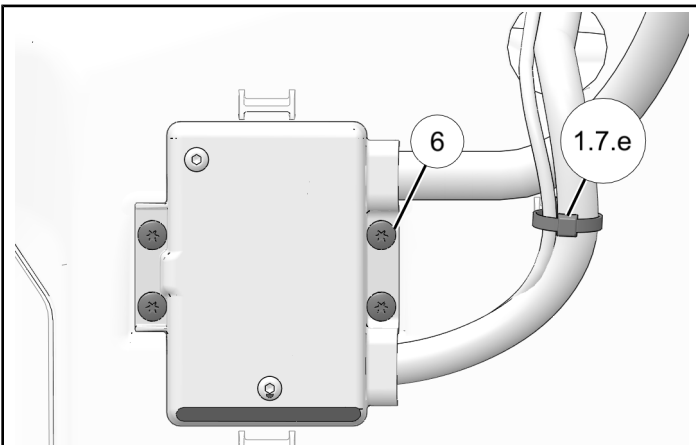
5. Route winch harness over suspension and position contactor box on firewall. Install two outside screws ⑥, until tight, to automatically align inside mounting location.



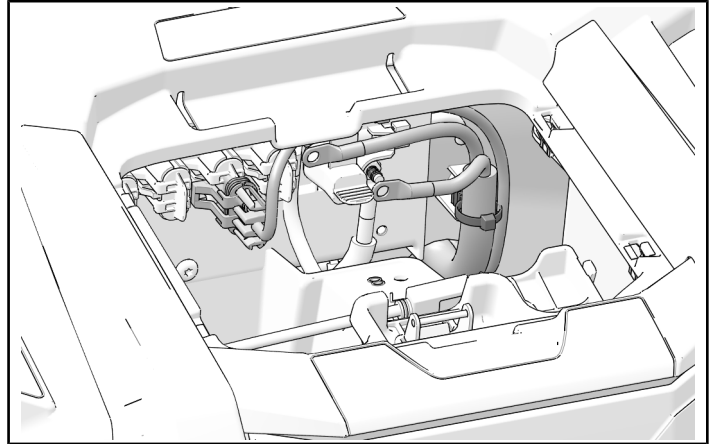
6. Install two screws ⑥ until tight.

TIP

Inside location has obstructed view. Ensure outside location is secure to align inside location.

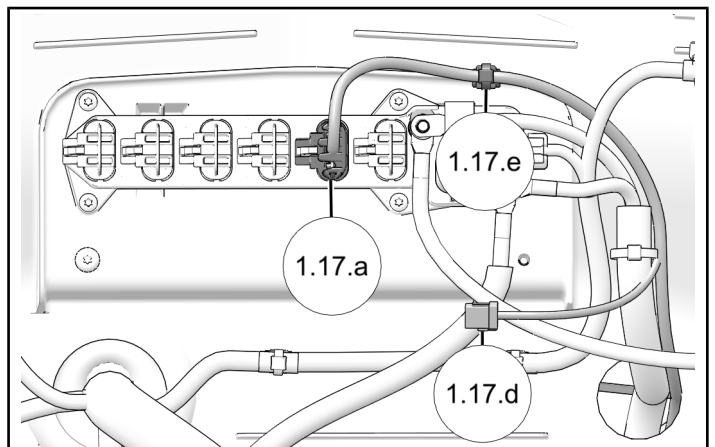


7. Route harnesses 1.7 and 1.17, extending from contactor box, through firewall hole and into under-dashboard.



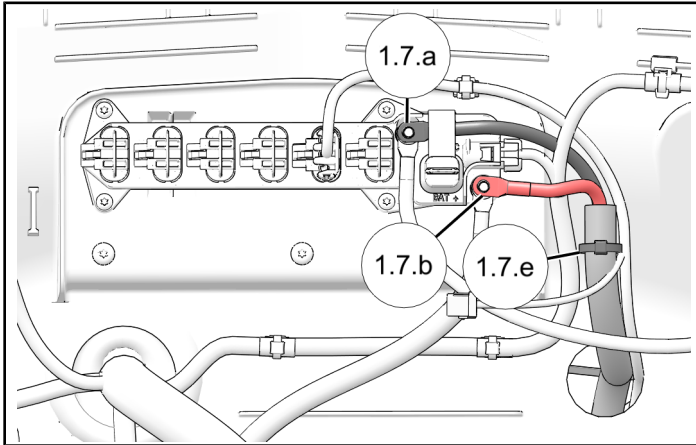
8. Position harness 1.17 as shown.

	REF	CONNECTS TO
1.17.a	Connector, Terminal Block	Pulse™ bar
1.17.d	Connector, Winch Remote	DO NOT connect yet
1.17.e	Clip, Edge (Routing)	Vehicle structure



9. Position harness 1.7 as shown.

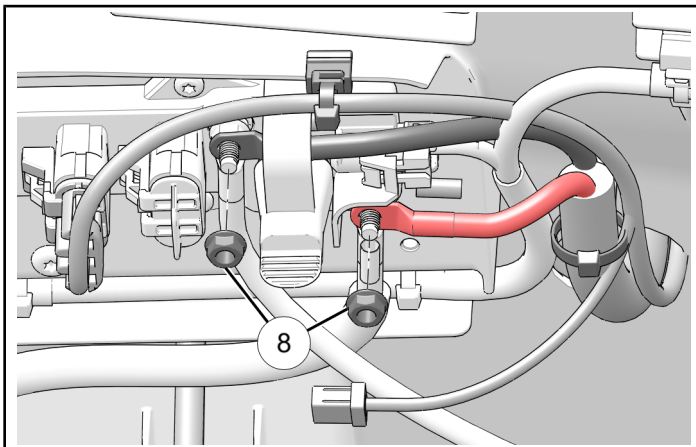
REF	CONNECTS TO
1.7.a	Terminal-Ring, Terminal Block
1.7.b	Terminal-Ring, Terminal Block
1.7.e	Clip, Edge (Routing)



10. Do not remove existing nuts from NEGATIVE and POSITIVE terminals. Secure harness with two nuts ⑧.

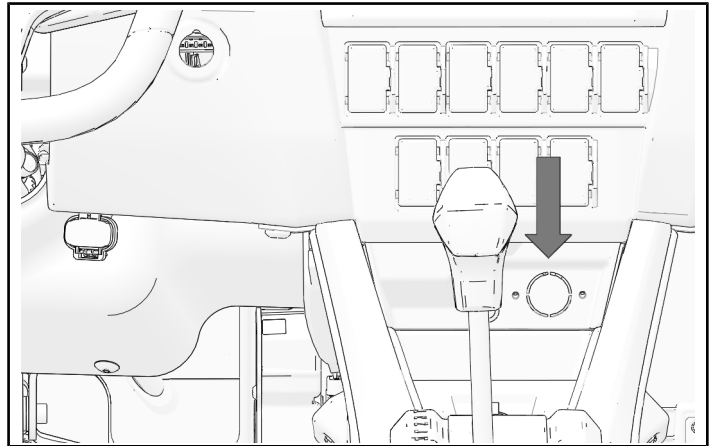
TORQUE

Terminal Block Nuts ⑧:
44 in-lbs (5 N·m)

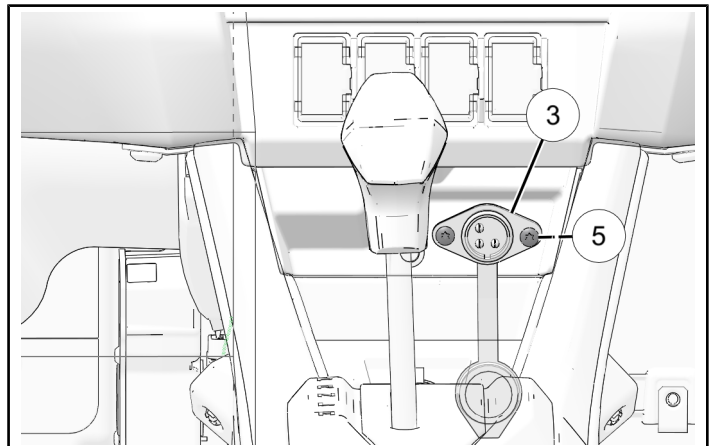


WINCH REMOTE INSTALLATION

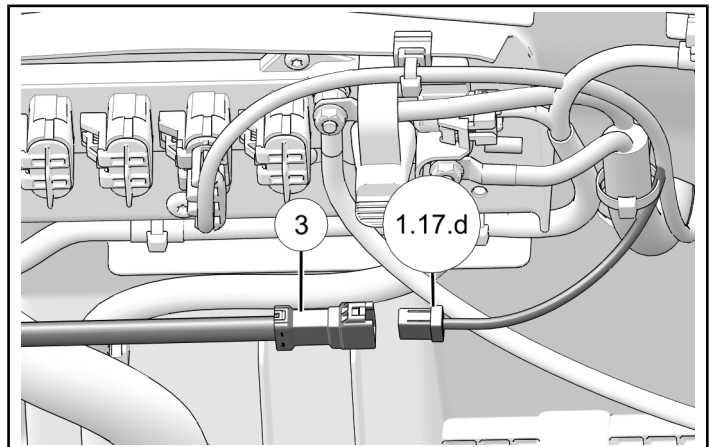
1. Locate winch socket location in center console and push insert out.



2. Install winch remote socket ③ with two remote socket fasteners ⑤ until tight.

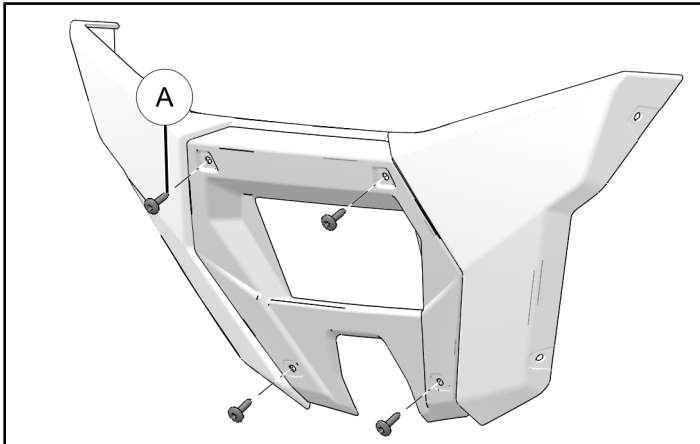


3. Join remote socket connector ③ to winch remote connector 1.17.d.



BUMPER FASCIA INSTALLATION

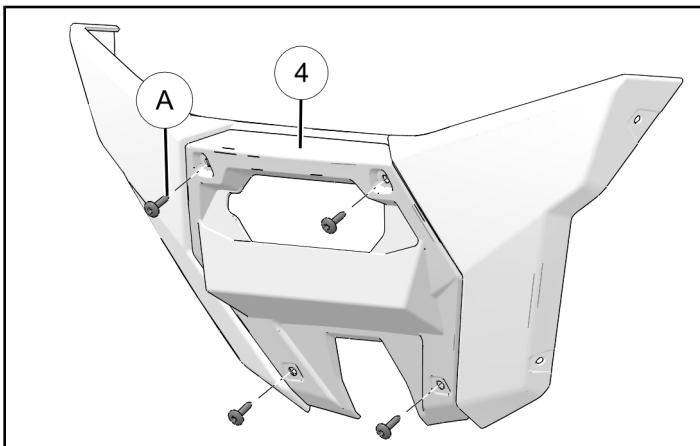
1. Remove four bumper fascia fasteners (A). Discard center bumper fascia.



2. Install new winch cover (4) with four retained bumper fascia fasteners (A).

TORQUE

Bumper Fascia Fasteners (A):
89 in-lbs (10 N·m)



BUMPER FASCIA REINSTALLATION

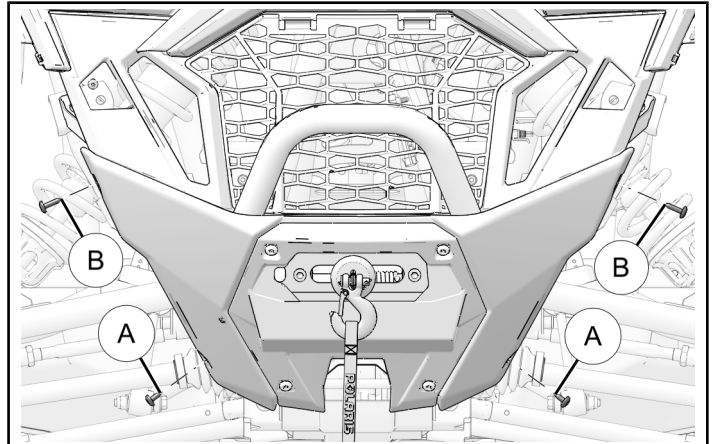
1. Reinstall bumper fascia with two bumper fascia fasteners (A) and (B).

TORQUE

Lower Bumper Fascia Fasteners (A):
89 in-lbs (10 N·m)

TORQUE

Upper Bumper Fascia Fasteners (A):
89 in-lbs (10 N·m)



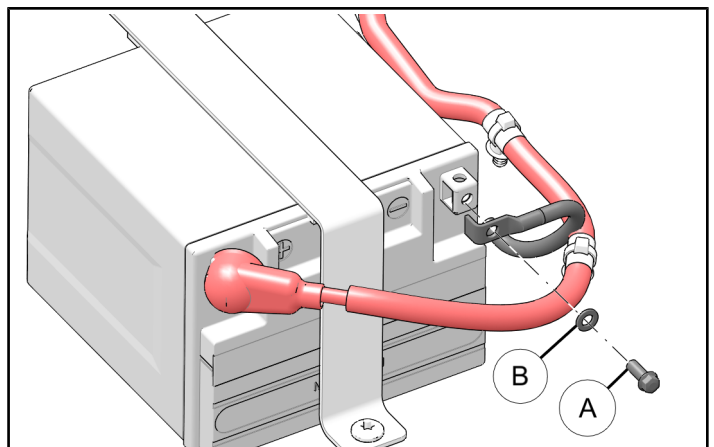
VEHICLE REASSEMBLY

BATTERY CONNECT

1. Connect NEGATIVE battery cable with one battery terminal post (A) and washer (B).

TORQUE

Battery Terminal (A):
44 in-lbs (5 N·m)



GENERAL

1. Reinstall driver seat.
2. Reinstall dashboard storage compartment.
3. Wireless remote holder can be installed in desired location on vehicle using screws supplied with wireless remote.
4. Read *Winch Guide* thoroughly before connecting winch remote to winch socket and operating winch.

FEEDBACK FORM

A feedback form has been created for the installer to provide any comments, questions or concerns about the installation instructions. The form is viewable on mobile devices by scanning the QR code or by clicking [HERE](#) if viewing on a PC.

