

K-GUARD, A-ARM, HMW KIT



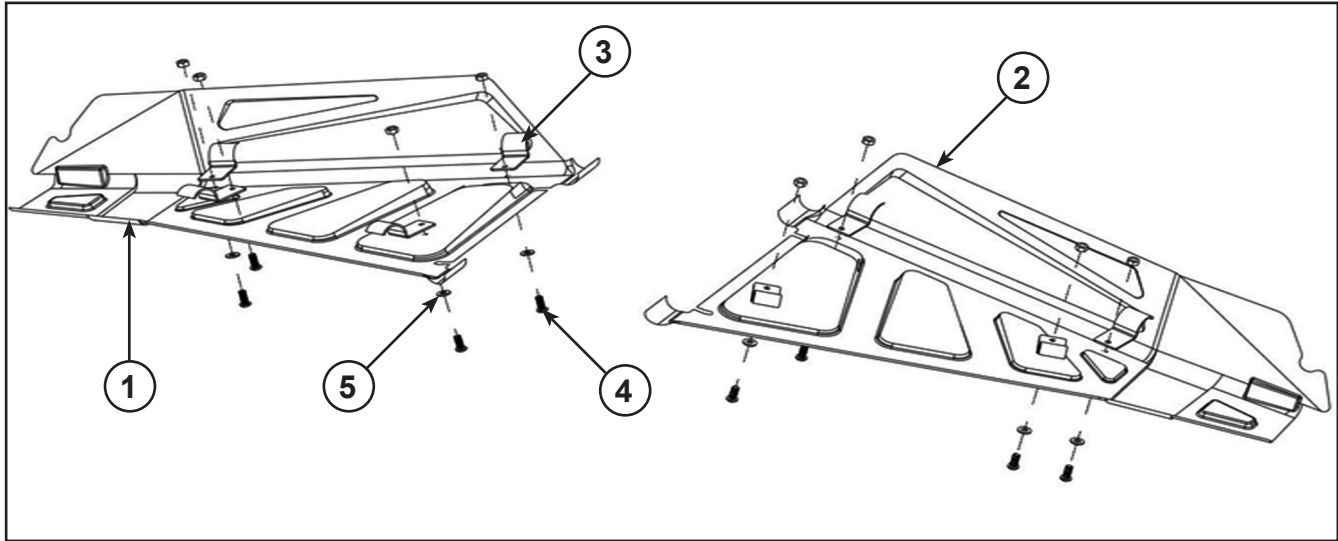
P/N 2879454; 2880170; 2880274

APPLICATION

RZR XP4 1000, RZR 900 AND RZR 900S

BEFORE YOU BEGIN

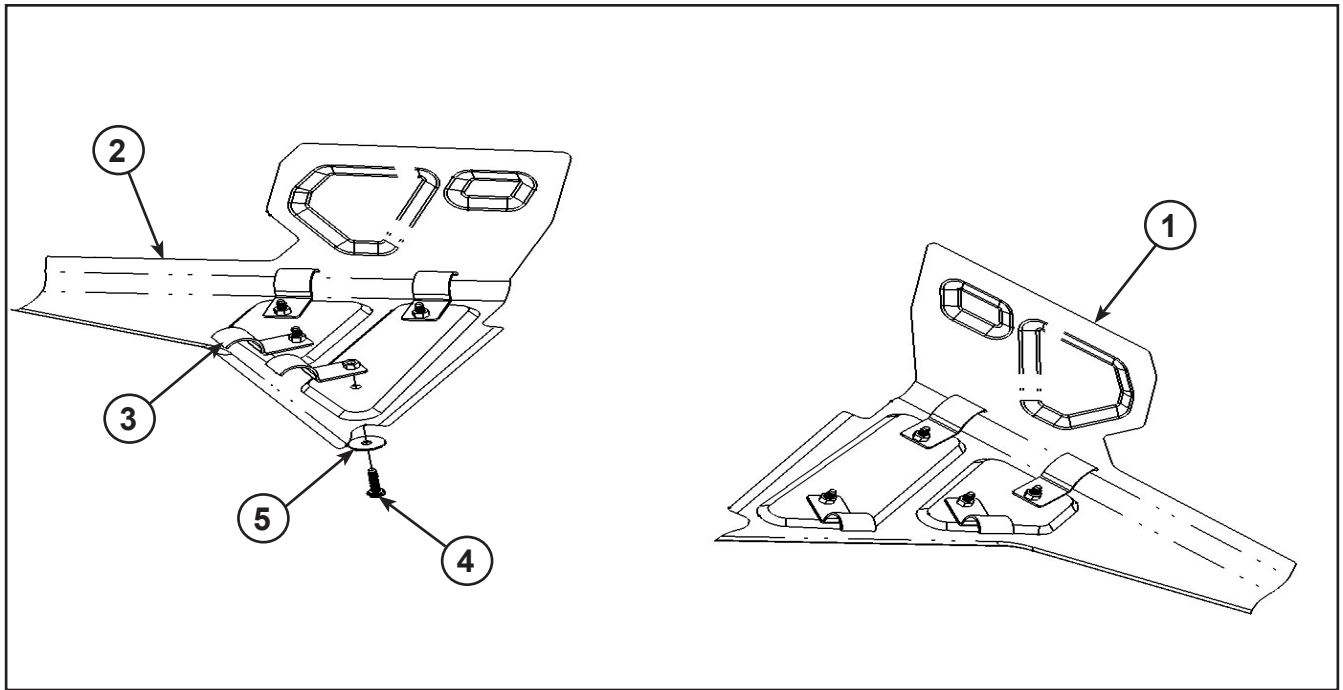
Read these instructions thoroughly and make sure all parts and tools are accounted for. Please retain these installation instructions for future reference and parts ordering information.



KIT CONTENTS - RZR XP4 1000 (PN 2879454)

Ref.	Qty	Part Description	Part Number
1	1	A-Arm Guard, HMW, LH	5451124
2	1	A-Arm Guard, HMW, RH	5451125
3*	8	Boot Clamp	-
4*	8	Screw-TXBH-M6x1.0x8	-
5*	8	Flat Washer-1/4", Black	-
	1	Instructions	9924977

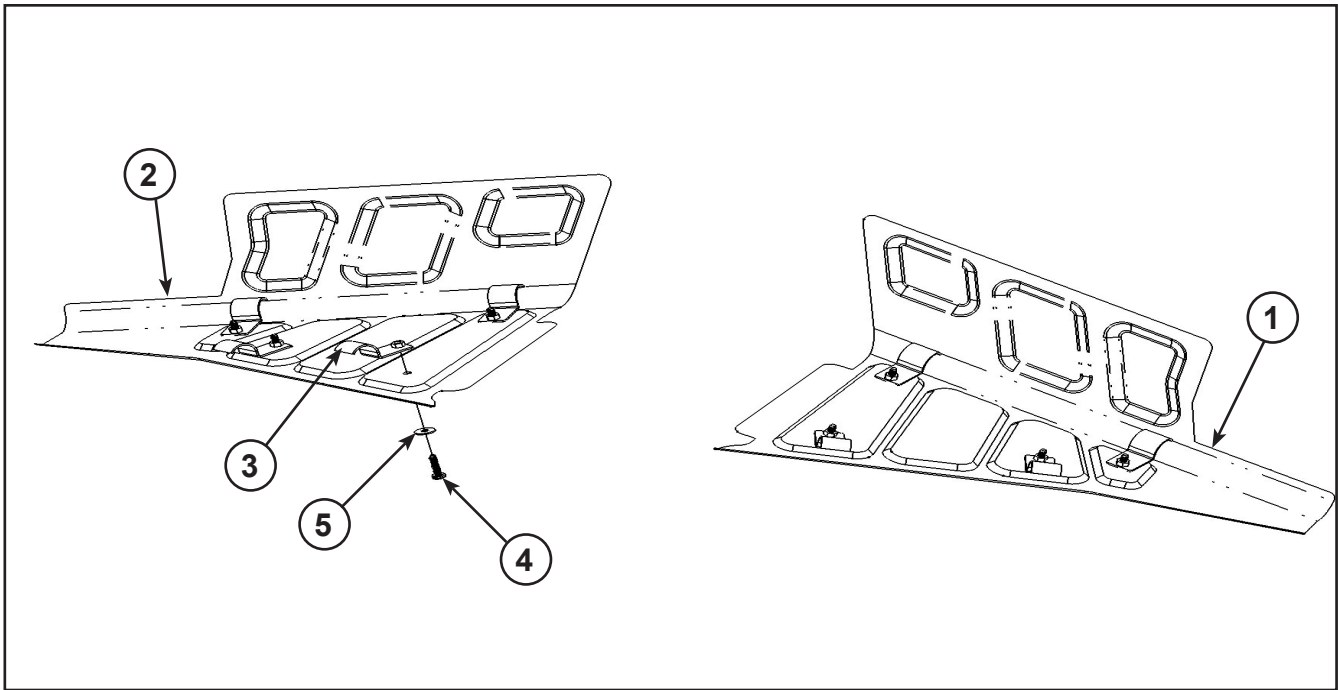
ITEMS MARKED (*) ARE INCLUDED IN HARDWARE KIT PN 2205403.



KIT CONTENTS - RZR 900 (PN 2880170)

Ref.	Qty	Part Description	Part Number
1	1	Front A-Arm Guard, LH	5451266
2	1	Front A-Arm Guard, RH	5451267
3*	8	Boot Clamp	-
4*	8	Screw, Button Torx T40, M6- 1.0X25	-
5*	8	Flat Washer-1/4" Black	-
	1	Instructions	9924977

ITEMS MARKED (*) ARE INCLUDED IN HARDWARE KIT PN 2205403.



KIT CONTENTS - RZR 900S (PN 2880274)

Ref.	Qty	Part Description	Part Number
1	1	Front A-Arm Guard, LH	5451361
2	1	Front A-Arm Guard, RH	5451362
3*	8	Boot Clamp	-
4*	8	Screw, Button Torx T40, M6- 1.0X25	-
5*	8	Flat Washer-1/4" Black	-
	1	Instructions	9924977

ITEMS MARKED (*) ARE INCLUDED IN HARDWARE KIT PN 2205403.

TOOLS NEEDED

Safety Goggles

Metric Hex Wrench Set

Torx Wrench Set/ Bit

APPROXIMATE ASSEMBLY TIME

5-10 mins

IMPORTANT

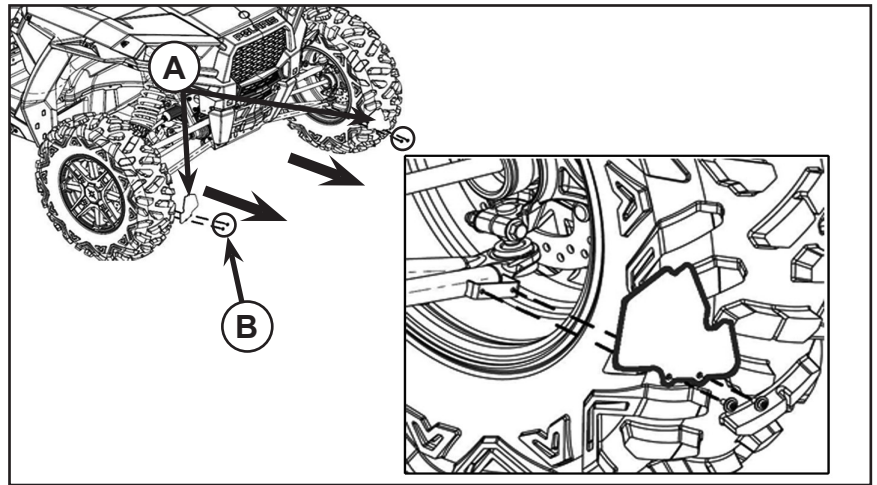
Your Polaris K-GUARD, A-ARM, HMW KIT is exclusively designed for your vehicle. Please read the installation instructions thoroughly before beginning. Installation is easier if the vehicle is clean and free of debris. For your safety, and to ensure a satisfactory installation, perform all installation steps correctly in the sequence shown.

INSTALLATION INSTRUCTIONS

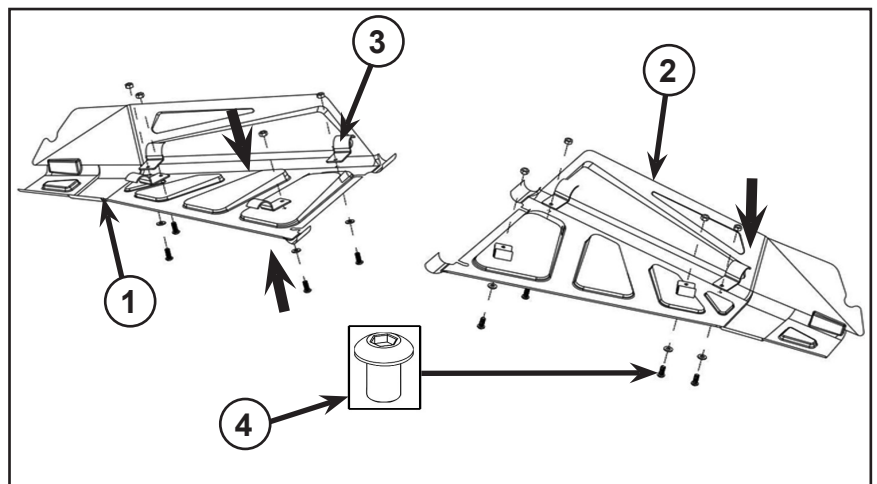
FOR RZR XP4 1000

1. Place the vehicle in “**PARK**”. Turn the key to “**OFF**” position and remove from the vehicle.

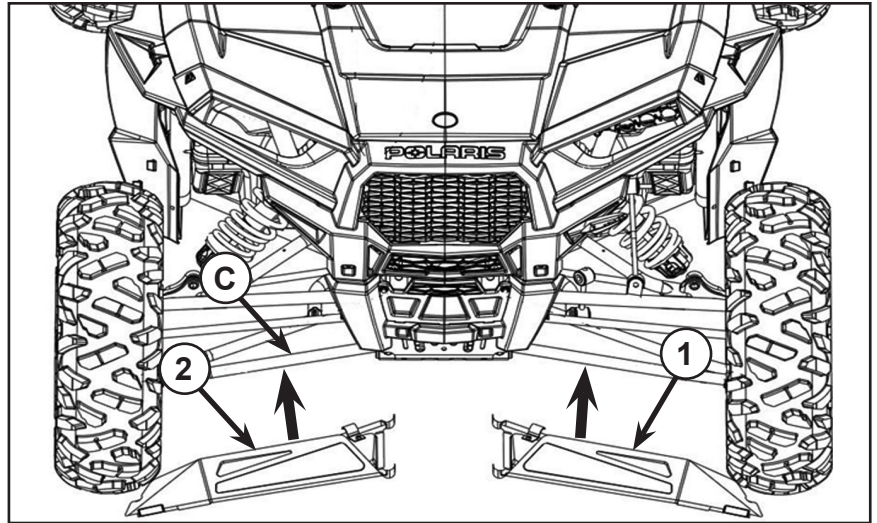
2. Remove the stock front shields (A) on each side with screws (B) as shown in figure.



3. Install the clamps loosely on the LH and RH A-Arm guards (1 ; 2) using boot clamps (3) and screws (4) as shown in figure.

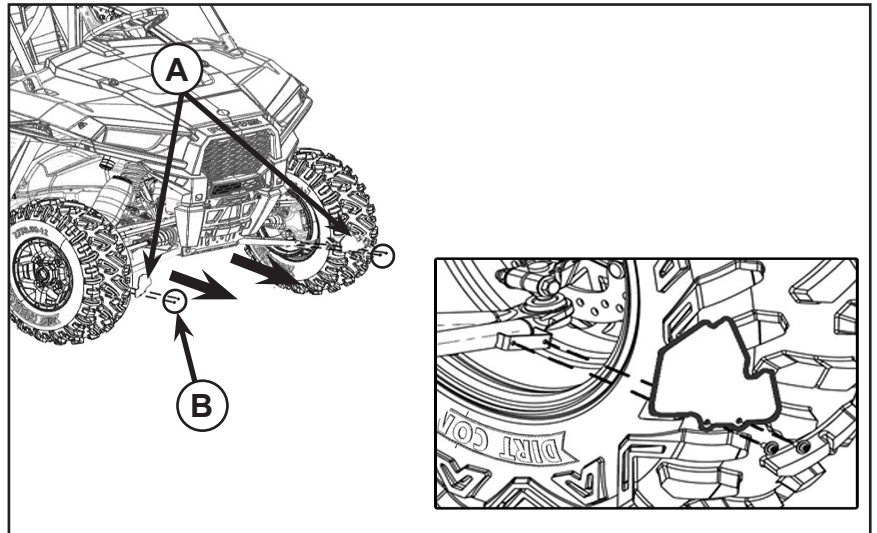


4. Install the LH and RH A-Arm guards (1 ; 2) on the A-Arms (C). Tighten the screws to 8 ft. lbs. (10.5 Nm) as shown in figure.

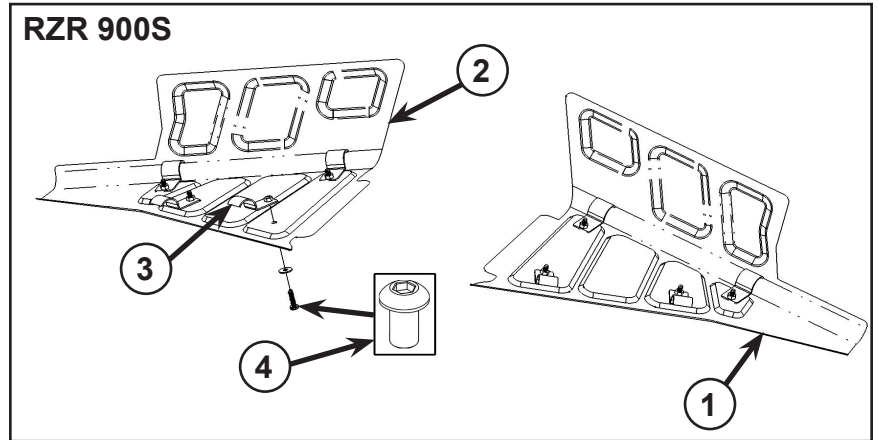
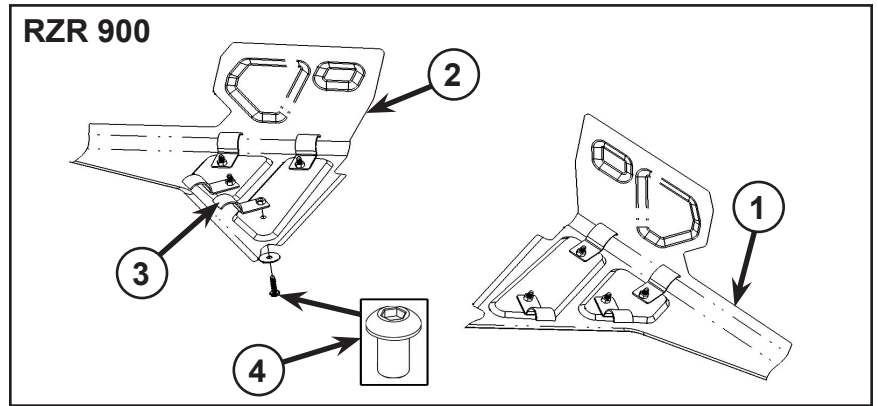


FOR RZR 900 AND RZR 900S

1. Place the vehicle in "PARK". Turn the key to "OFF" position and remove from the vehicle.
2. Remove the stock front shields (A) with screws (B) on each side as shown in figure.



3. Install the clamps loosely on the LH and RH A-Arm guards (1 ; 2) using boot clamps (3) and screws (4) as shown in figures.



4. Install the LH and RH A-Arm guards (1 ; 2) on the A-Arms (C). Tighten the screws to 8 ft. lbs. (10.5 Nm) as shown in figures.

