

50 A-ARM REAR GUARD KIT

60 A-ARM REAR GUARD KIT

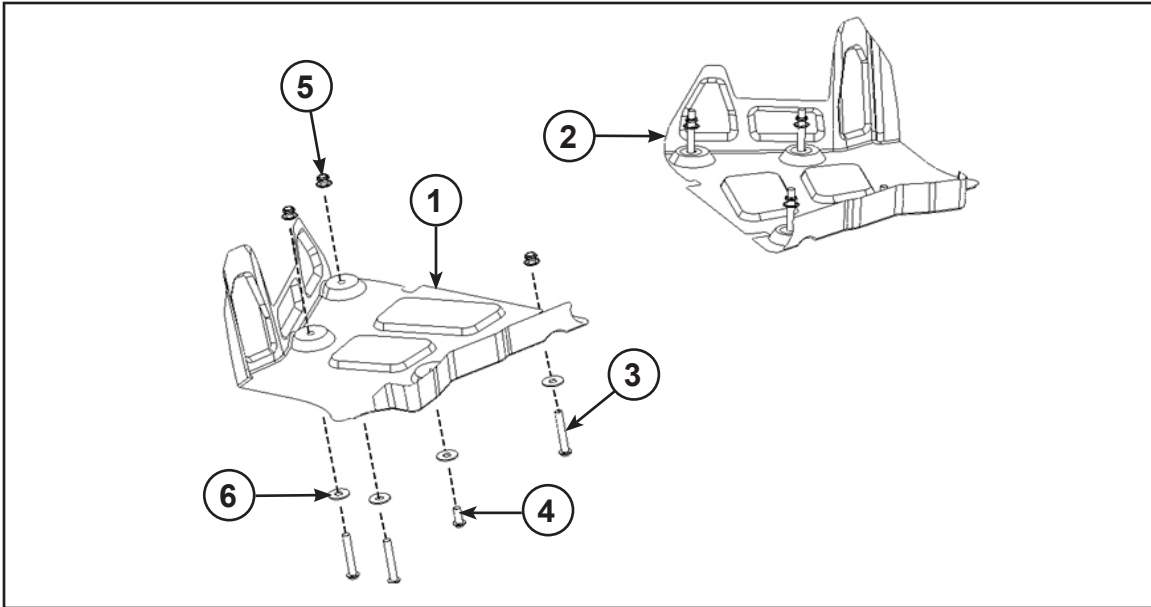
P/N 2880172; 2880171

Application

RZR 900 and RZR 900 S



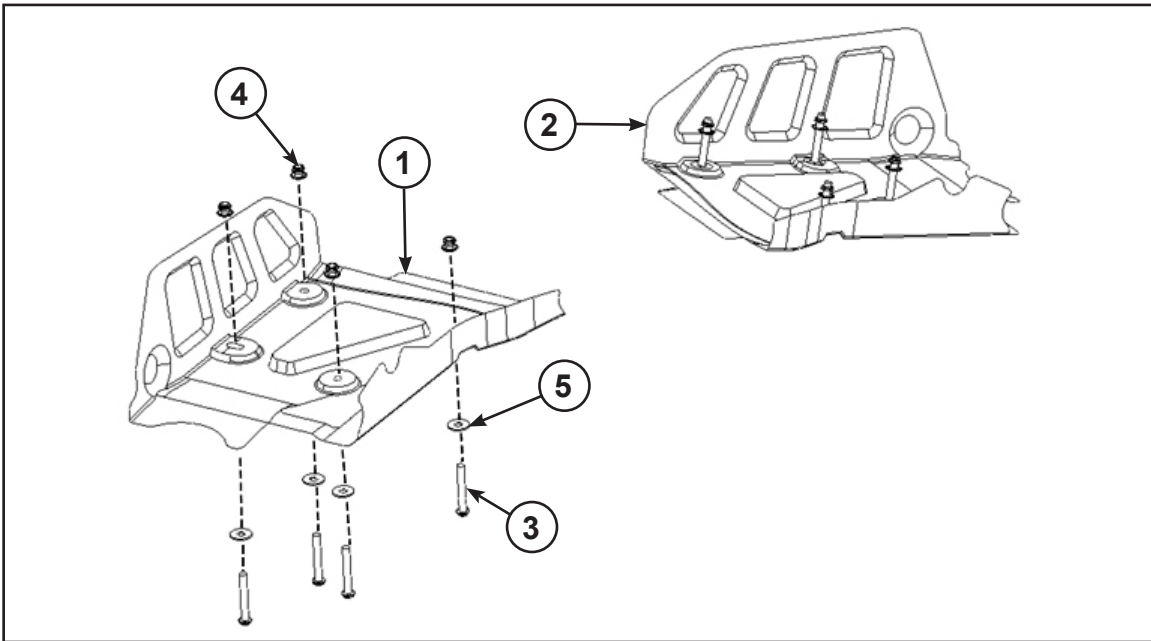
Before you begin, read these instructions twice and check to be sure all parts and tools are accounted for. Please retain these installation instructions for future reference and parts ordering information.



Kit Contents (2880172):

<u>Ref</u>	<u>Qty</u>	<u>Part Description</u>	<u>Part Number</u>
1	1	A-Arm Rear Guard, 50, LH	5451270
2	1	A-Arm Rear Guard, 50, RH	5451271
3*	6	Button Screw, M8-1.25X55	-
4*	2	Button Screw, M6X25	-
5*	6	Nylock Flange Nut, M8-1.25	-
6*	8	Fender Washer, M8	-
	1	Instructions	9925227

Items marked (*) are included in Hardware Kit PN 2205592.



Kit Contents (2880171):

<u>Ref</u>	<u>Qty</u>	<u>Part Description</u>	<u>Part Number</u>
1	1	A-Arm Rear Guard, 60, LH	5451268
2	1	A-Arm Rear Guard, 60, RH	5451269
3*	8	Button Screw, M8-1.25X60	-
4*	8	Nylock Flange Nut, M8-1.25	-
5*	8	Fender Washer, M8	-
	1	Instructions	9925227

Items marked (*) are included in Hardware Kit PN 2205592.

Tools Required:

Safety Goggles
Drill

Metric Hex Socket Set
Drill Bit Set

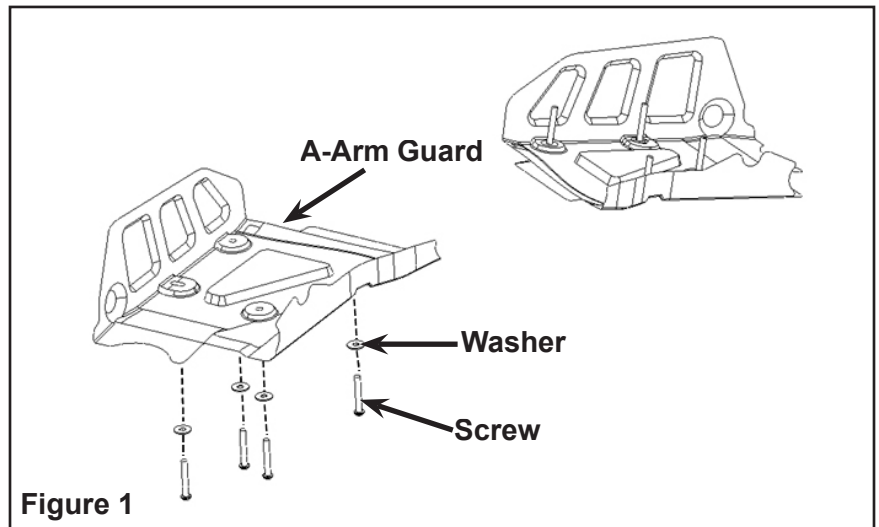
Torx Wrench Set

IMPORTANT: Your Polaris A-ARM REAR GUARD KIT is exclusively designed for your vehicle. Please read the installation instructions thoroughly before beginning. Installation is easier if the vehicle is clean and free of debris. For your safety and to ensure a satisfactory installation, perform all installation steps correctly and in the sequence shown.

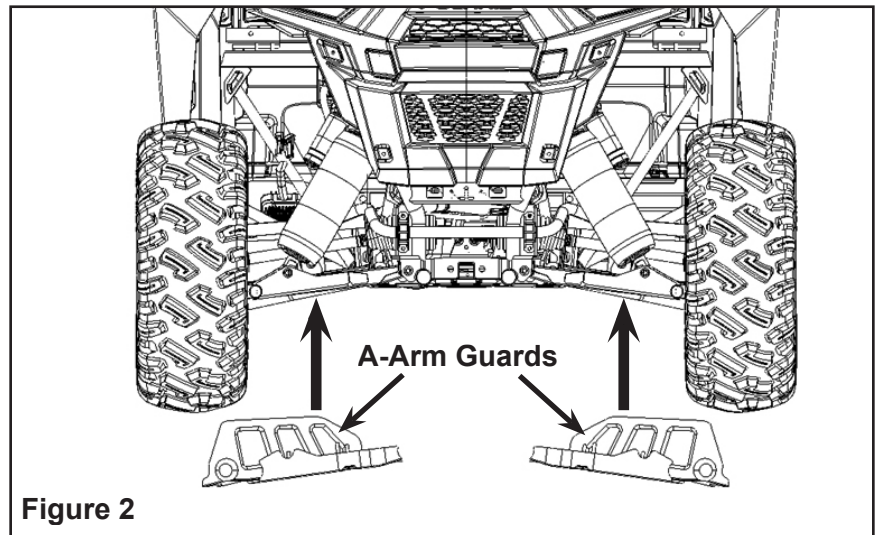
APPROXIMATE ASSEMBLY TIME: 5-10 minutes

INSTALLATION INSTRUCTIONS FOR RZR 900 S (KIT PN 2880171):

1. Park the vehicle. Turn the key to "OFF" position and remove from the vehicle
2. Using a drill with appropriate drill bit, drill-out the stock rivets and remove stock A-Arm guards. Install M8 screws and washers on A-Arm guards. Figure 1.

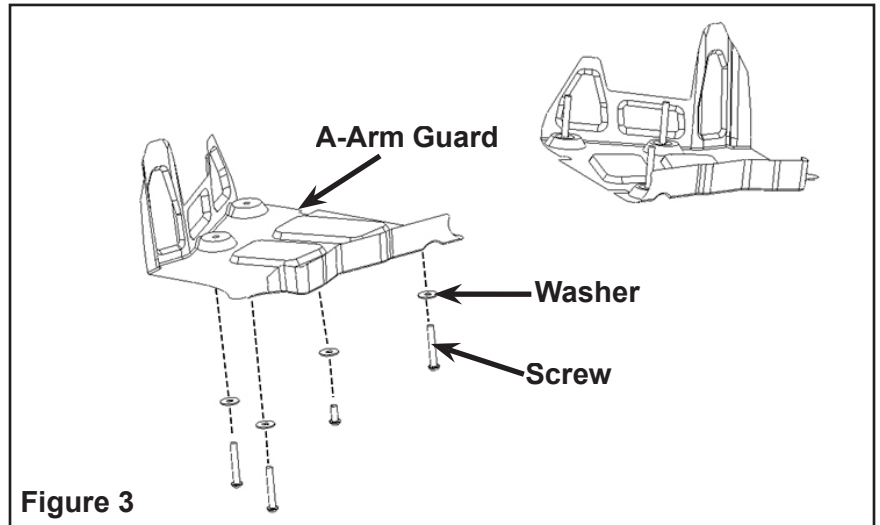


3. Install A-Arm guards on the A-Arms. Adjust and install M8 nuts. Torque to 16 ft. lbs. (21.7 Nm). Figure 2.



INSTALLATION INSTRUCTIONS FOR RZR 900 (KIT PN 2880172):

1. Park the vehicle. Turn the key to "OFF" position and remove from the vehicle
2. Using a drill with appropriate drill bit, drill-out the stock rivets and remove stock A-Arm guards. Install M8 and M6 screws and washers on A-Arm guards. Figure 3.



3. Install A-Arm guards on the A-Arms. Adjust and install M8 nuts. Torque to 16 ft. lbs. (21.7 Nm). Figure 4.

