

SKID PLATE KIT

P/N 2880290

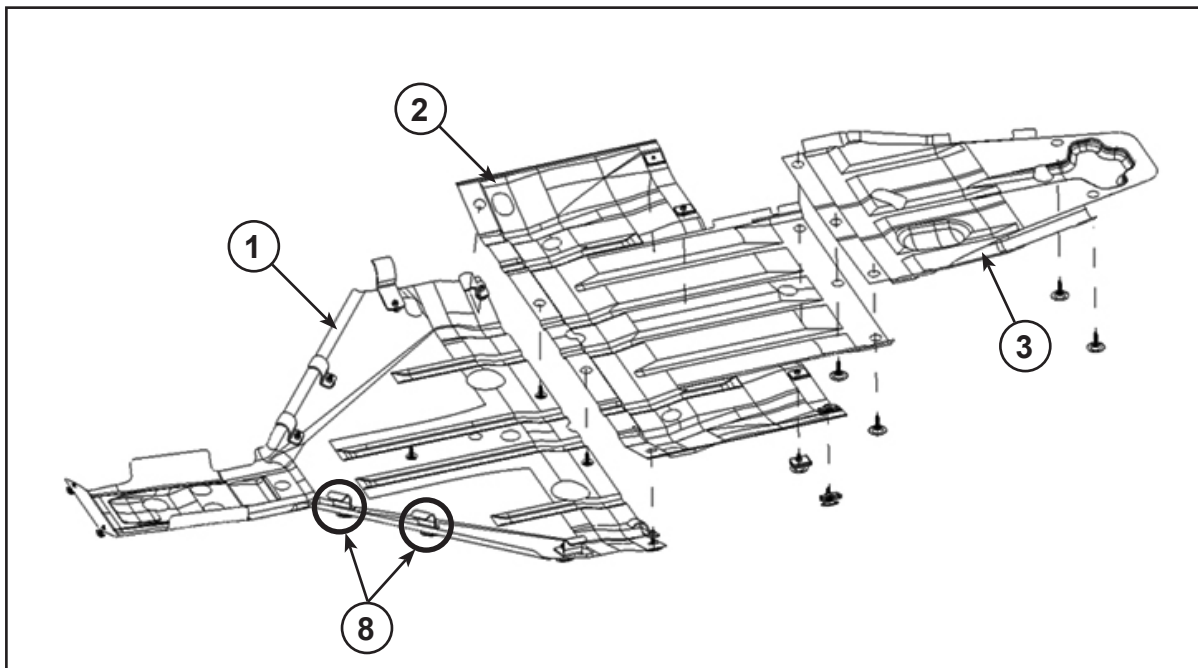
Application

RZR 900 and RZR 900 S

POLARIS

ENGINEERED PARTS
ACCESSORIES & APPAREL

Before you begin, read these instructions twice and check to be sure all parts and tools are accounted for. Please retain these installation instructions for future reference and parts ordering information.



Kit Contents:

<u>Ref</u>	<u>Qty</u>	<u>Part Description</u>	<u>Part Number</u>
1	1	HMW Skidplate, Front	5451376
2	1	HMW Skidplate, Mid	5451377
3	1	HMW Skidplate, Rear	5451378
4*	22	Screw, Button Torx M6 X 25	-
5*	20	Washer, Cup For Oversized Hole	-
6*	2	J Hook, 1.25" DIA	-
7*	2	J Hook, 1.75" DIA	-
8*	4	J Hook, 1.00" DIA	-
9*	2	Flat Washer	-
10*	4	Bracket Clip, M6 Weld Nut	-
	1	Instructions	9924821

Items marked (*) are included in Hardware Kit PN 2205276.

Tools Required:

Safety Goggles
Torx Driver

Wrench
Ratchet

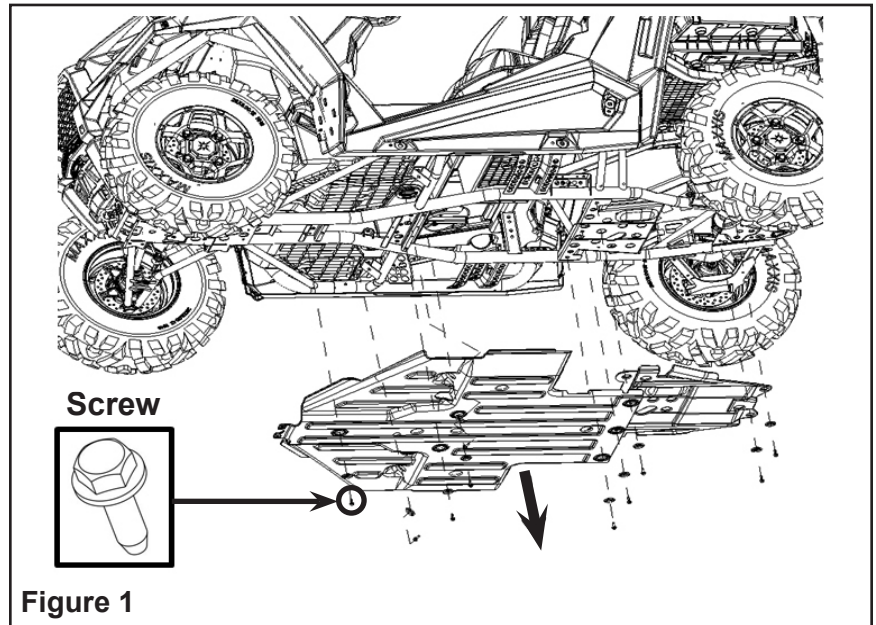
Metric Sockets Set

APPROXIMATE ASSEMBLY TIME: 20-25 minutes

IMPORTANT: Your Polaris SKID PLATE KIT is exclusively designed for your vehicle. Please read the installation instructions thoroughly before beginning. Installation is easier if the vehicle is clean and free of debris. For your safety and to ensure a satisfactory installation, perform all installation steps correctly and in the sequence shown.

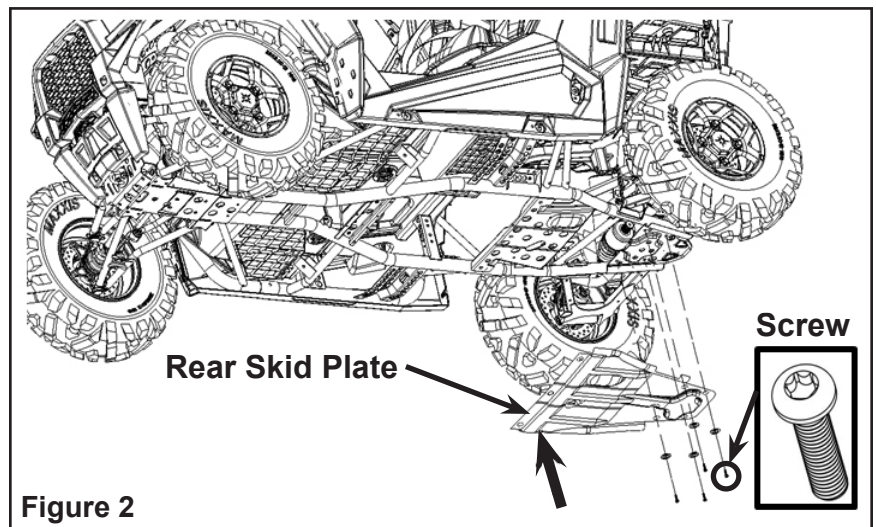
INSTALLATION INSTRUCTIONS:

1. Place the vehicle in "PARK". Turn the key to "OFF" position and remove from the vehicle.
2. Remove the stock skid plate by removing 6 mm screws and washers at ten places. Figure 1.

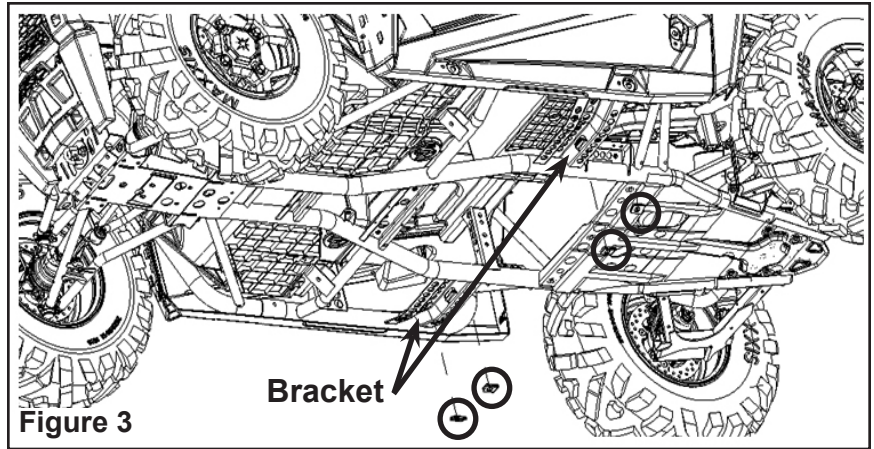


3. Install the new rear skid plate using 6 mm X 25 screws and washers at four locations. Figure 2.

NOTE: Torque the screws to 15 ft. lbs. (20.33 Nm).

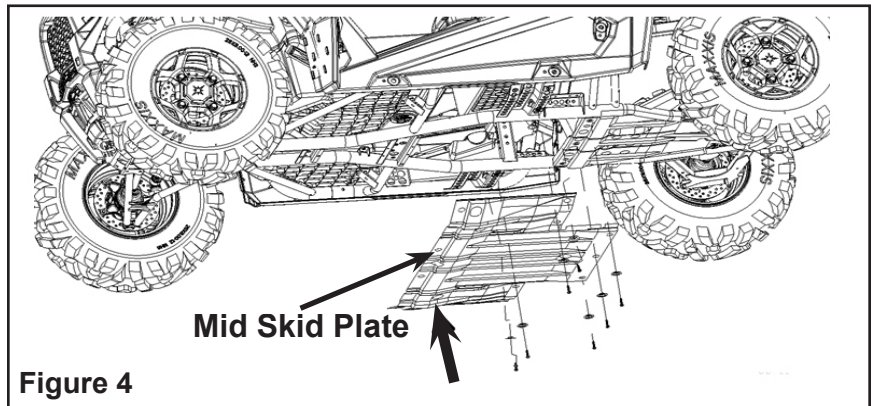


4. Insert bracket clip on chassis bracket at four locations as shown in Figure 3.



5. Install the new mid skid plate using 6 mm X 25 screws and washers at seven locations. Figure 4.

NOTE: Torque the screws to 15 ft. lbs. (20.33 Nm).



6. Installation of front skid plate:-

- a. Loosely install the hooks to the front skid plate using 6 mm screws and washers at six locations.

IMPORTANT: Install J hook (1.75" dia.) at two locations and the J hook (1.00" dia.) at rest of four locations.

IMPORTANT: Install screw M6x25 at two locations.

- b. Tighten front skid plate to chassis using 6 mm screws and washers at 13 locations as shown in the Figure 5.

NOTE: Torque the screws to 15 ft. lbs. (20.33 Nm).

