

EXTREME FRONT BUMPER KIT



P/N 2879451, 2881584

APPLICATION

Verify accessory fitment at Polaris.com.

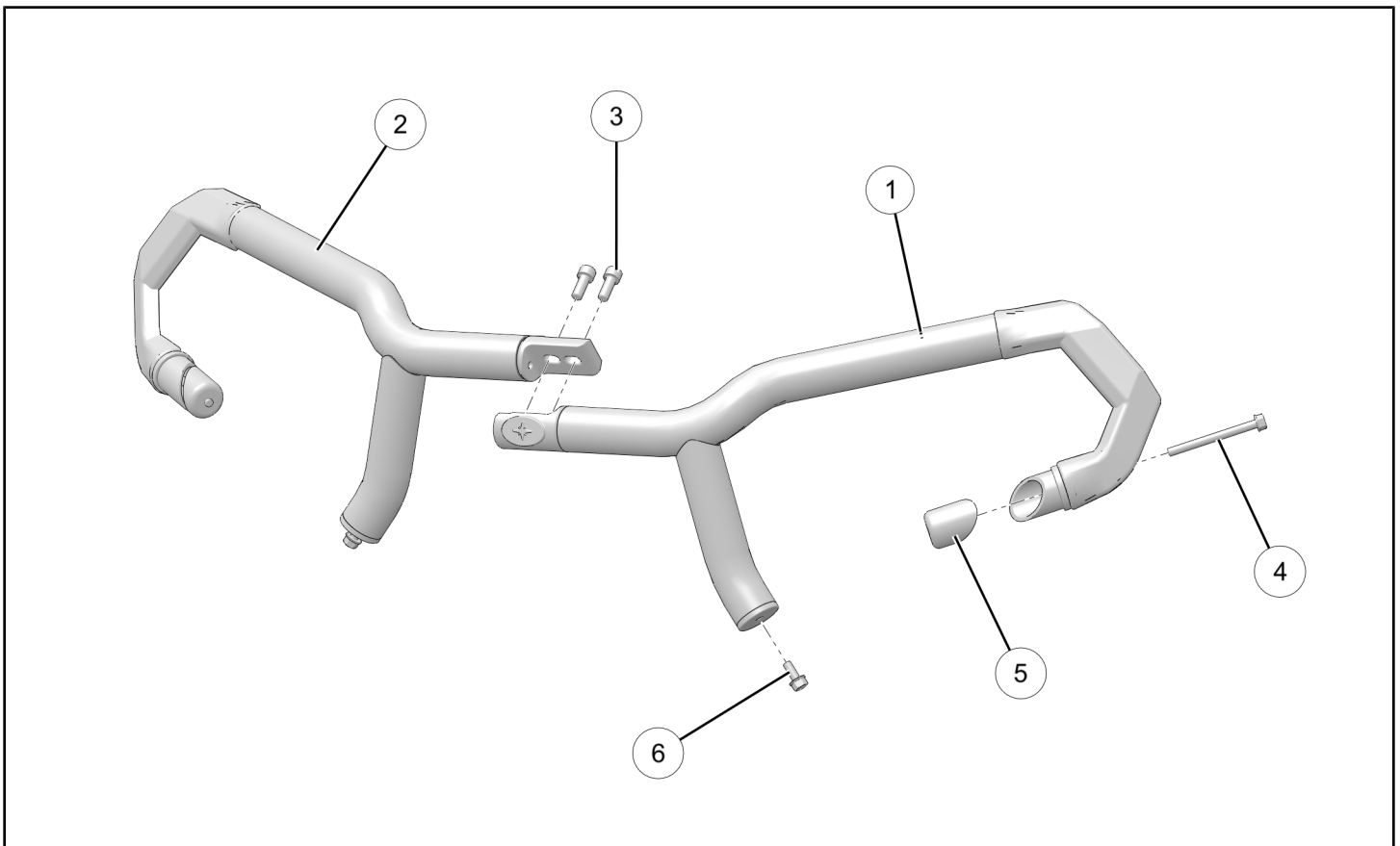
BEFORE YOU BEGIN

Read these instructions and check to be sure all parts and tools are accounted for. Please retain these installation instructions for future reference and parts ordering information.

KIT CONTENTS

This kit contains parts for installation of the Extreme Front Bumper only. Prior installation of the Low Profile Front Bumper Kit, PN 2879449 or 2881583, is also required (sold separately).

This Kit includes:



REF	QTY	PART DESCRIPTION	PART NUMBER
1	1	Bumper, LH	-
2	1	Bumper, RH	-
3*	2	Screw, Socket Cap - M10 X 1.5 X 25	7517358
4*	2	Screw, Hex Flange - M8 X 1.25 X 90	-
5*	2	Threaded Mount	-

REF	QTY	PART DESCRIPTION	PART NUMBER
6*	2	Screw, Hex Flange - M8 X 1.25 X 20	-
	1	Instructions	9924480

Items marked (*) are included in Hardware Kit PN 2205115.

TOOLS REQUIRED

- Safety Glasses
- Socket Set, Metric
- Socket Set, Hex Bit, Metric
- Torque Wrench

IMPORTANT

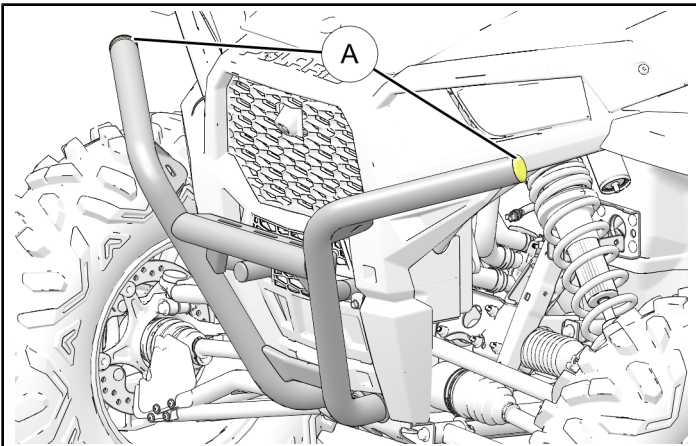
Your EXTREME FRONT BUMPER KIT is exclusively designed for your vehicle. Please read the installation instructions thoroughly before beginning. Installation is easier if the vehicle is clean and free of debris. For your safety, and to ensure a satisfactory installation, perform all installation steps correctly in the sequence shown.

ASSEMBLY TIME

Approximately 15 minutes

INSTALLATION INSTRUCTION

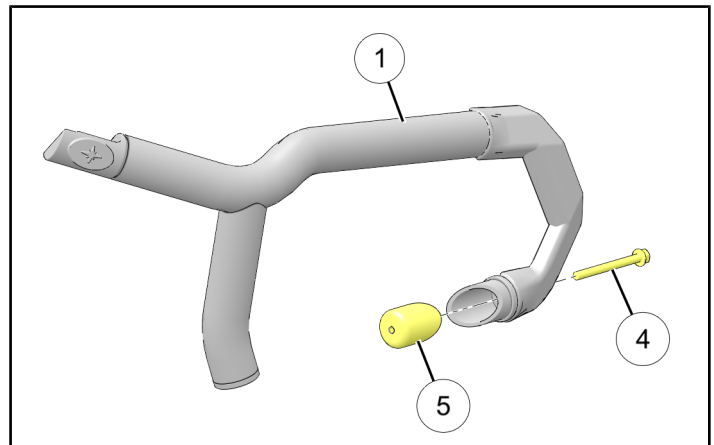
1. Shift vehicle transmission into "PARK". Turn key to "OFF" position and remove from vehicle.
2. Remove plug **A** from each end of existing bumper. Plugs will not be reused.



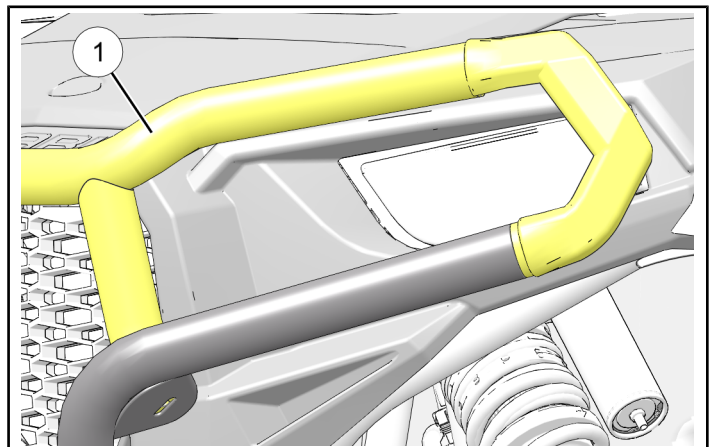
3. Loosely install threaded mount **5** to tapered fitting on LH upper bumper **1** using screw **4**. Screw should engage only a few threads of threaded mount.

NOTE

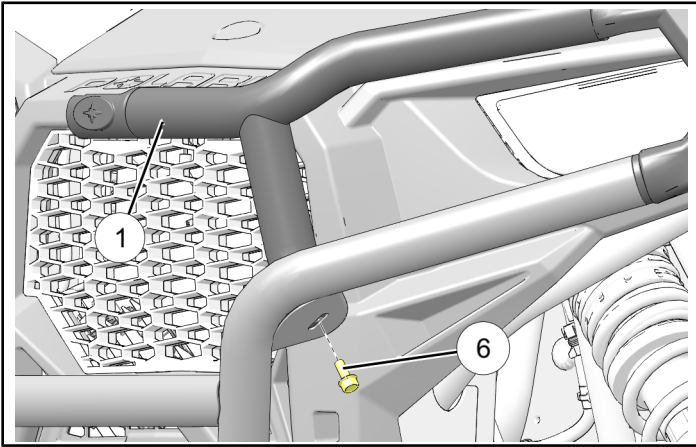
Over-tightening screw will prevent new bumper from fully entering tube opening in existing bumper.



4. Fully insert threaded mount **5** and tapered fitting on LH upper bumper **1** into existing bumper. Do not tighten screw **4** at this time.

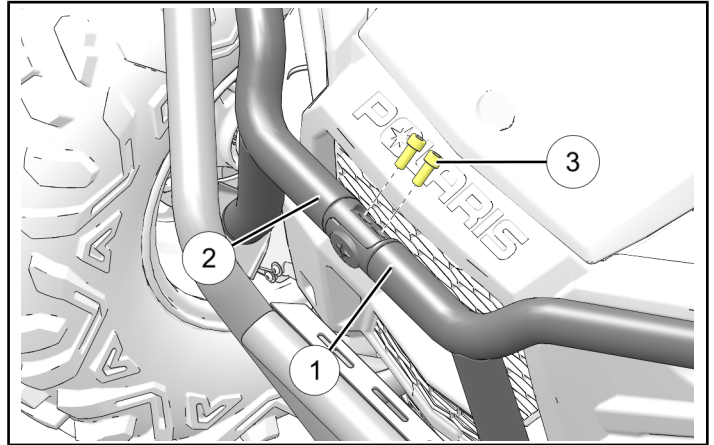


5. Loosely install screw ⑥ up through mounting ear in existing bumper into LH upper bumper ①.



6. Repeat Steps 3-5 for RH bumper ②.

7. Install RH bumper ② to LH bumper ① using two screws ③.



8. Torque all screws to specification.

TORQUE

M8 screws ④⑥: 16 ± 2 ft. lbs. (22 ± 2 Nm)
M10 screws ③: 40 ± 4 ft. lbs. (54 ± 5 Nm)

FEEDBACK FORM

A feedback form has been created for the installer to provide any comments, questions or concerns about the installation instructions. The form is viewable on mobile devices by scanning the QR code or by clicking [HERE](#) if viewing on a PC.

FEEDBACK FORM

