

# FLOOR MATS KIT



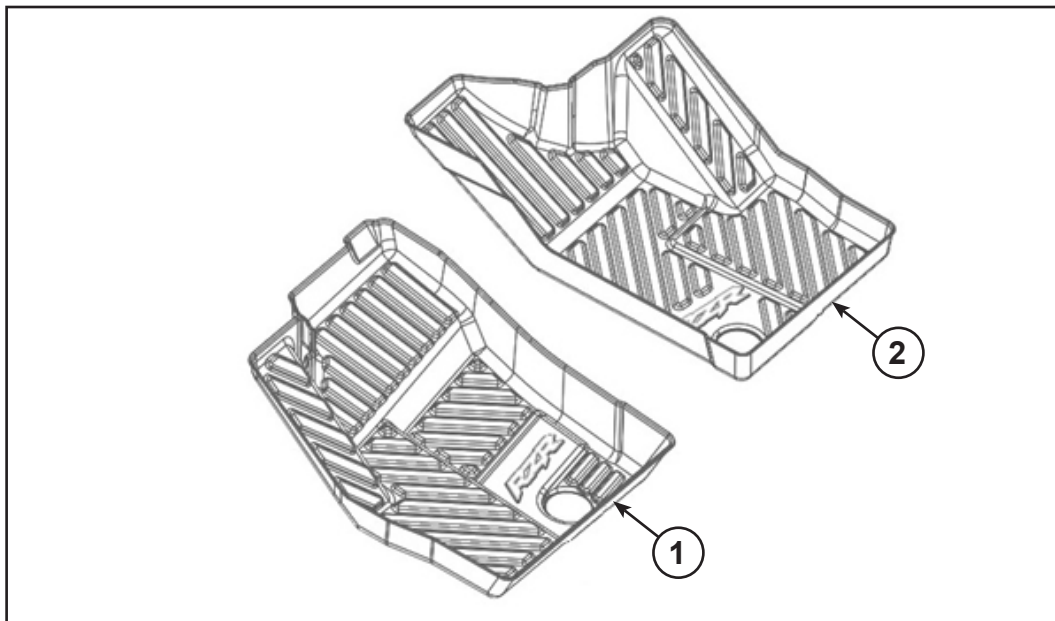
**P/N 2880414; 2880415**

## APPLICATION

RZR XP 1000, RZR XP4 1000, RZR 900, RZR 900 S

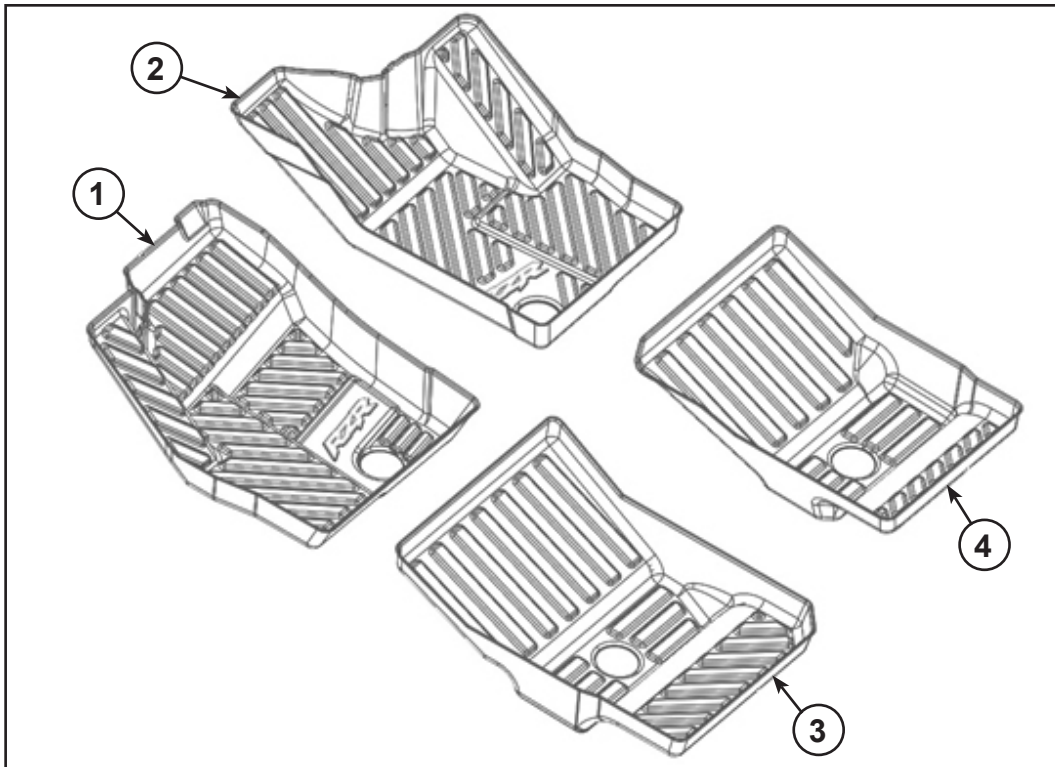
## BEFORE YOU BEGIN

Read these instructions thoroughly and make sure all parts and tools are accounted for. Please retain these installation instructions for future reference and parts ordering information.



## KIT CONTENTS (PN 2880414)

Ref	Qty	Part Description	Part Number
1	1	Floor Mat, Molded, LH	5415210
2	1	Floor Mat, Molded, RH	5415211
	1	Instructions	9925311



### KIT CONTENTS (PN 2880415)

Ref	Qty	Part Description	Part Number
1	1	Floor Mat, Molded, LH	5415210
2	1	Floor Mat, Molded, RH	5415211
3	1	Floor Mat, Molded, LH, Rear	5415212
4	1	Floor Mat, Molded, RH, Rear	5415213
	1	Instructions	9925311

### TOOLS NEEDED

Utility Knife

### APPROXIMATE ASSEMBLY TIME

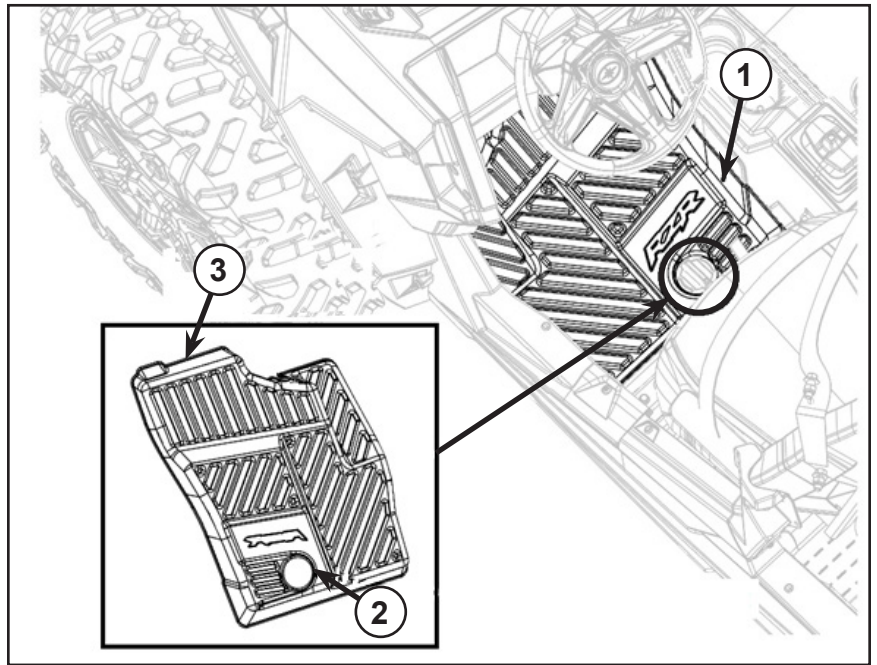
5 min

### IMPORTANT

Your Polaris FLOOR MATS KIT is exclusively designed for your vehicle. Please read the installation instructions thoroughly before beginning. Installation is easier if the vehicle is clean and free of debris. For your safety, and to ensure a satisfactory installation, perform all installation steps correctly in the sequence shown.

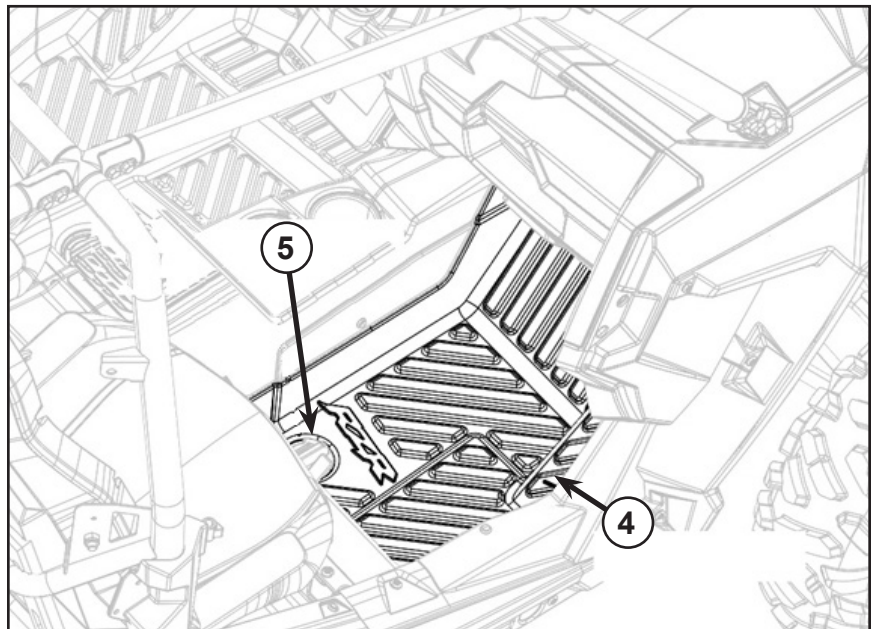
## INSTALLATION INSTRUCTIONS

1. Ensure the vehicle body clean and free of debris.
2. Position the LH floor mat (1) on the driver's side and ensure for the proper placement with RZR name facing towards top. Using utility knife, there is option to cut out circular recess (2) in floor mat from back side (3) to adapt the drain plug as shown in figure.



3. Position the RH floor mat (4) on the passenger side and ensure for the proper placement with RZR name facing towards top. Using utility knife, there is option to cut out circular recess (5) in floor mat from back side to adapt the drain plug as shown in figure.

**IMPORTANT:** If you have RZR XP4 1000 vehicle, you need to purchase Floor Mat Kit 2880415 and follow the below Steps 4 and 5.



4. Repeat the above Steps 1-3 for installation of front side floor mats.
5. To install rear side floor mats, position floor Rear LH and RH floor mats (6 & 7) as shown and ensure proper placement. Option to cut out circular recess (8) in floor mat to adapt the drain plug.

