

105 QUART COOLER



P/N 2883392, 2883426

APPLICATION

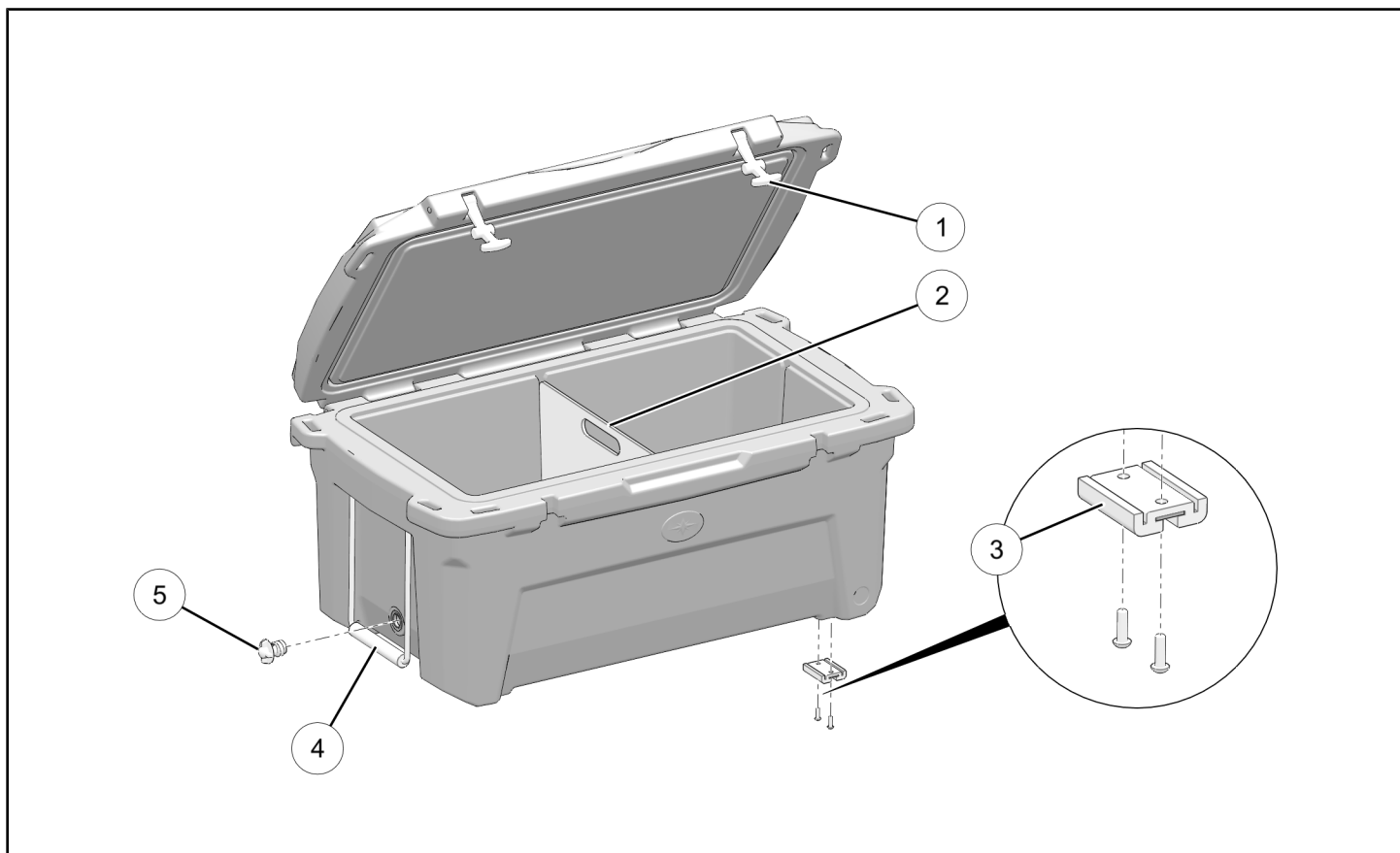
Polaris Customers

BEFORE YOU BEGIN

Read these instructions and check to be sure all parts and tools are accounted for. Please retain these installation instructions for future reference and parts ordering information.

KIT CONTENTS

This Kit includes:



REF	QTY	PART DESCRIPTION	PART NUMBER
1	2	Latch, Rubber	5415788
2	1	Divider	5454838
3	4	Pad Assembly (with screws)	2636094
4	2	Handle, Rope	2636091
5	1	Plug (with gasket)	2636093
	1	Instructions	9928653

FEEDBACK FORM

A feedback form has been created for the installer to provide any comments, questions or concerns about the installation instructions. The form is viewable on mobile devices by scanning the QR code or by clicking [HERE](#) if viewing on a PC.

