

# SOFTCAB DOORS KIT

P/N 2879902

Application

RZR XP 1000



Before you begin, read these instructions twice and check to be sure all parts and tools are accounted for. Please retain these installation instructions for future reference and parts ordering information.

## Kit Contents:

<u>Qty</u>	<u>Part Description</u>	<u>Part Number</u>
1	Softcab Door, LH	2635179
1	Softcab Door, RH	2635226
4*	M6 Flat Washer	-
8*	M8 Flat Washer	-
2*	Nut, M6x1.0 U Short	-
4*	Screw, M6x1.0x16 TR/TX-M	-
8*	Screw, M8x1.25x20 BHCS	-
2*	Strap, Blow Out	-
1*	Shut Face Assembly RH	-
1*	Shut Face Assembly LH	-
1	Instructions	9924750

Items marked (\*) are included in Hardware Kit 2205253.

## Tools Required:

Metric Hex Wrench Set  
Torx Wrench Set

Metric and Standard Wrench Set  
#2 Phillips Screw Driver

#2 Screw Driver

**APPROXIMATE ASSEMBLY TIME:** 30 minutes

**IMPORTANT:** Your Polaris RZR XP 1000 SOFTCAB DOORS KIT is exclusively designed for your vehicle. Please read the installation instructions thoroughly before beginning. Installation is easier if the vehicle is clean and free of debris. For your safety, and to ensure a satisfactory installation, perform all installation steps correctly in the sequence shown.

**IMPORTANT:** These instructions are shown with full glass or poly windshields already installed on the vehicle.

## INSTALLATION INSTRUCTIONS:

### Shut Face Installation:

1. Slide the rear tab of the bracket between the dash and front fender. Attach the front of the bracket to the ROPS using the nuts for the lower windshield trim. Figure 1.

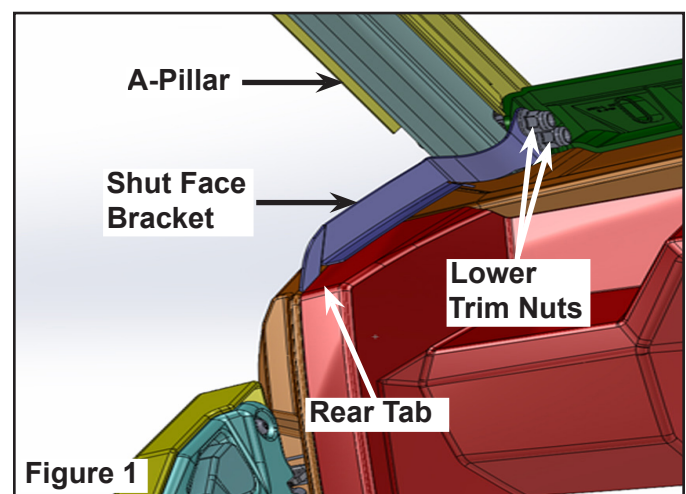
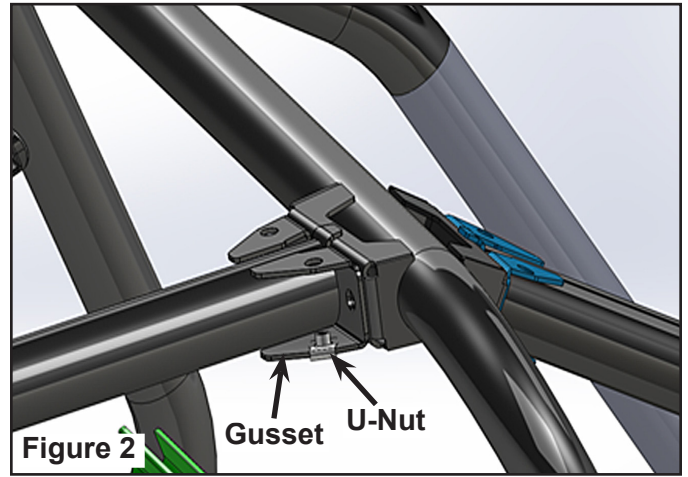


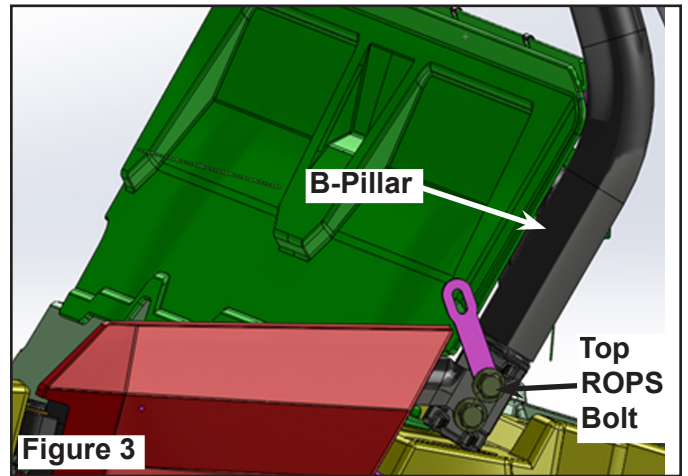
Figure 1

**Door Installation:**

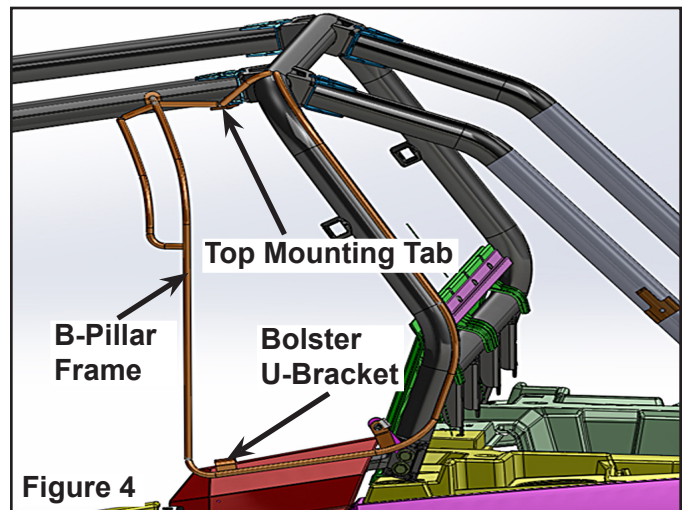
1. Install the U-nut on the bottom gusset at the top of the B-pillar. Figure 2.



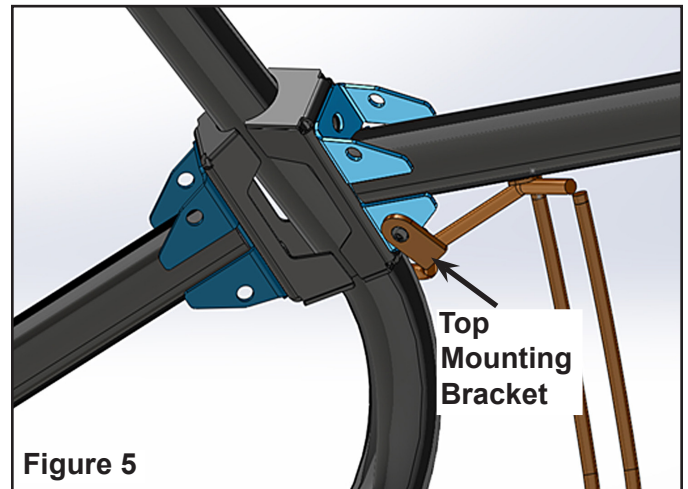
2. Install the mounting bracket using the top ROPS bolt at the bottom of the B-pillar. Figure 3.



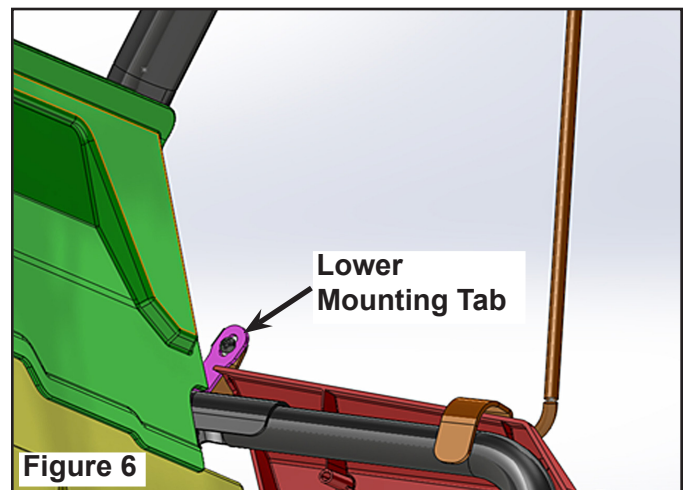
3. Position the B-pillar frame against the B-pillar with the U-bracket hooked over the bolster and the top mounting tab under the B-pillar gusset. Figure 4.



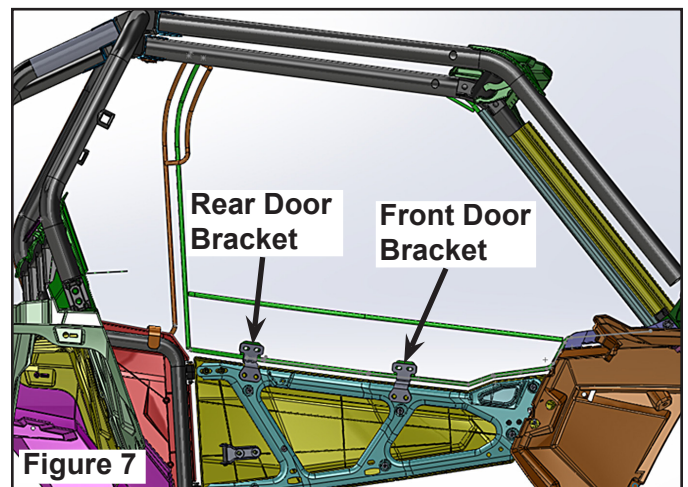
4. Attach the top mounting bracket loosely to the U-nut on the top B-pillar gusset using a Phillips head screw and a flat washer. Figure 5.



5. Attach the lower mounting tab loosely to the U-nut on the bottom of the B-pillar frame with a Phillips head screw and a flat washer. Figure 6.



6. Remove the stock outer door skin and attach front and rear door brackets with supplied screws. Re-install the outer door skin. Figure 7
7. Attach the upper door to the lower door at the front and rear door bracket locations with the button head Allen screws, flat washers and lock nuts.
8. Adjust the doors so they open and close without interference.



9. Wrap the inboard end of the blow out strap with the door shut at the top front corner of the door around the slot of the visor and snap into place. Figure 8.

**NOTE:** Make sure to unbuckle the strap when opening the door.

