

# REAR DOOR UPPER AND LOWER LINER KIT

P/N 2880703; 2880704

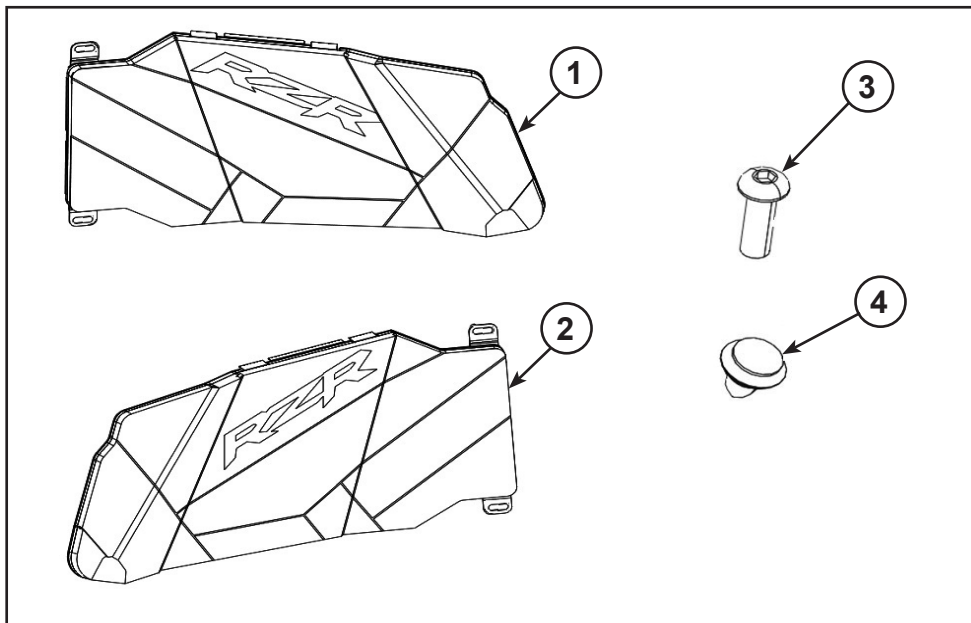


## APPLICATION

RZR XP4 1000

## BEFORE YOU BEGIN

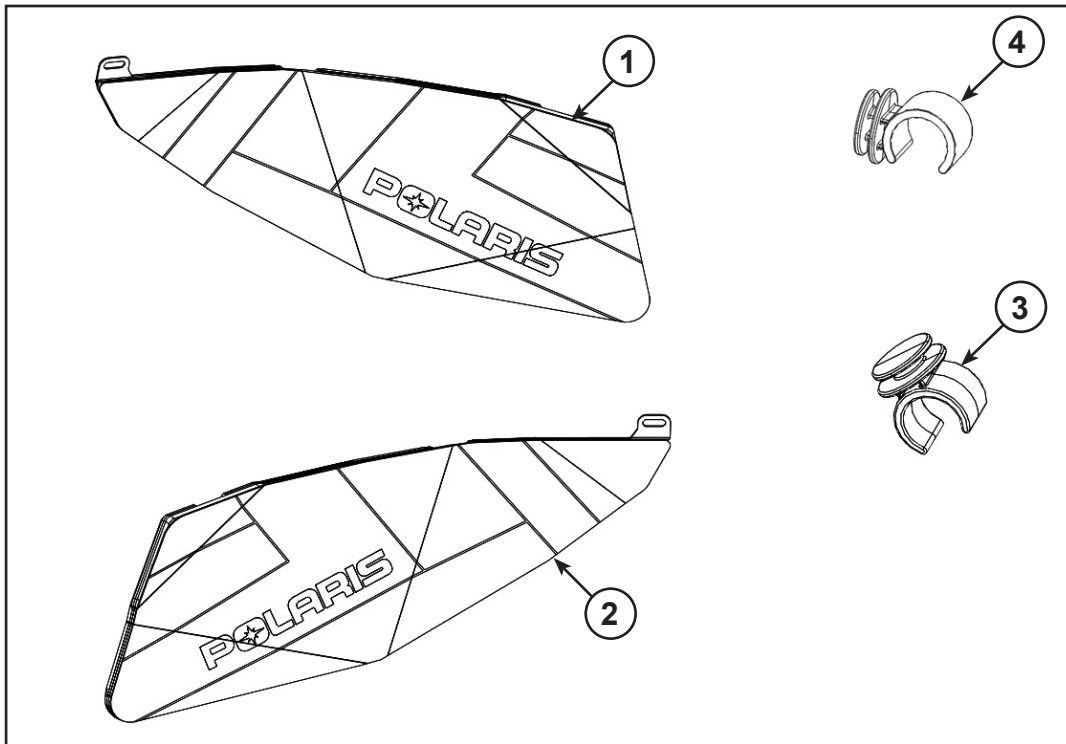
Before you begin, read these instructions twice and check to be sure all parts and tools are accounted for. Please retain these installation instructions for future reference and parts ordering information.



## KIT CONTENTS (PN 2880703)

Ref.	Qty	Part Description	Part Number
1	1	Upper Rear Door Liner, 60", LH	2686421
2	1	Upper Rear Door Liner, 60", RH	2686422
3*	4	M8 Screw	-
4*	10	Plastic Dart	-
	1	Door Liner, Template, LH	-
	1	Door Liner, Template, RH	-
	1	Instructions	9925585

ITEMS MARKED (\*) ARE INCLUDED IN HARDWARE KIT PN 2205593.



### KIT CONTENTS (PN 2880704)

Ref.	Qty	Part Description	Part Number
1	1	Lower Rear Door Liner, 60", LH	2686423
2	1	Lower Rear Door Liner, 60", RH	2686424
3*	8	Plastic Clip	-
4*	2	Plastic Clip, 90°	-
	1	Instructions	9925585

ITEMS MARKED (\*) ARE INCLUDED IN HARDWARE KIT PN 2205710.

### TOOLS NEEDED

Torx Wrench Set                  Drill                  11/32" Drill Bit

### APPROXIMATE ASSEMBLY TIME

15 mins

### IMPORTANT

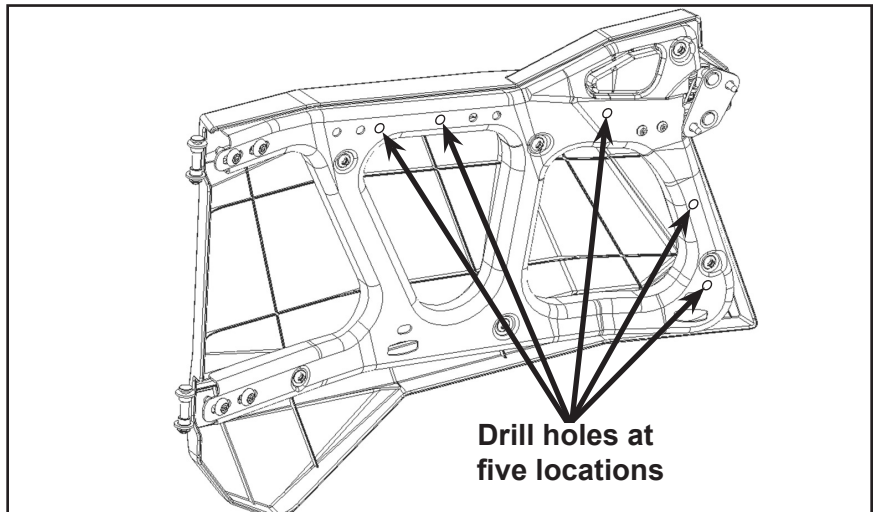
Your Polaris REAR DOOR UPPER AND LOWER LINER KIT is exclusively designed for your vehicle. Please read the installation instructions thoroughly before beginning. Installation is easier if the vehicle is clean and free of debris. For your safety, and to ensure a satisfactory installation, perform all installation steps correctly in the sequence shown.

## INSTALLATION INSTRUCTIONS (KIT PN 2880703)

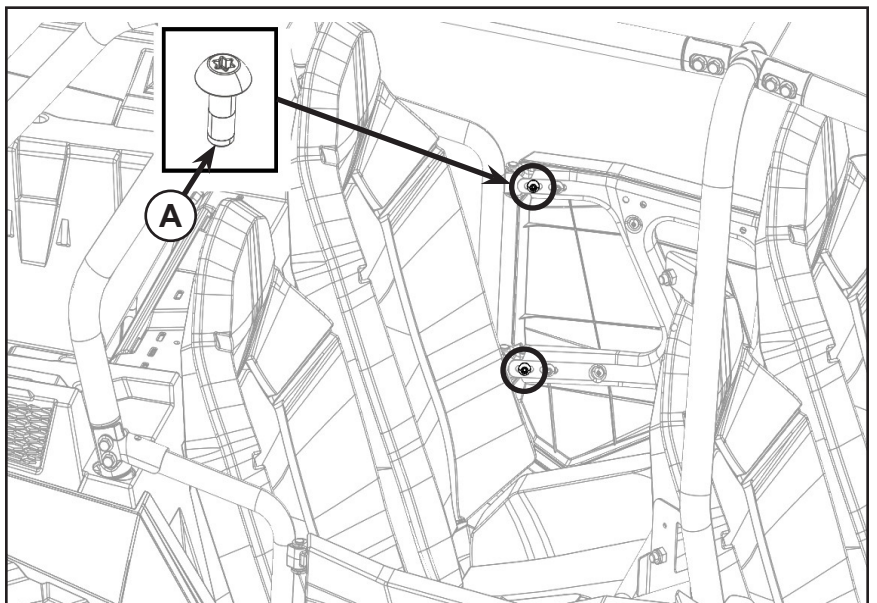
1. Place the vehicle in “**PARK**”. Turn the key to “**OFF**” position and remove from the vehicle.

2. Secure the driver’s side door liner template provided in the kit in three locations using existing screws on door. Drill the holes on the door stamping at five locations as shown in figure. (See page 5 for template reference). **Wear safety glasses when drilling.**

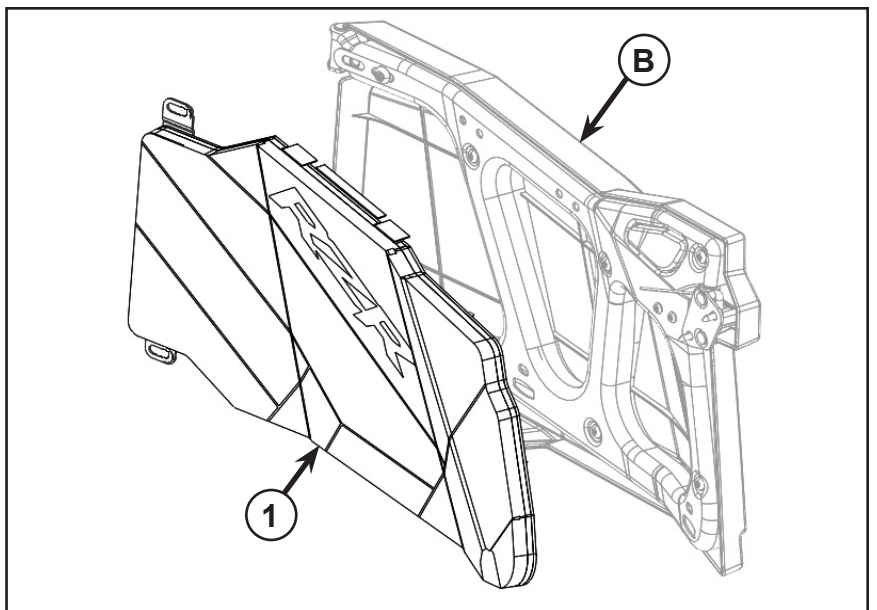
**IMPORTANT:** Make sure to only drill through the stamping and not the plastic outer panel.



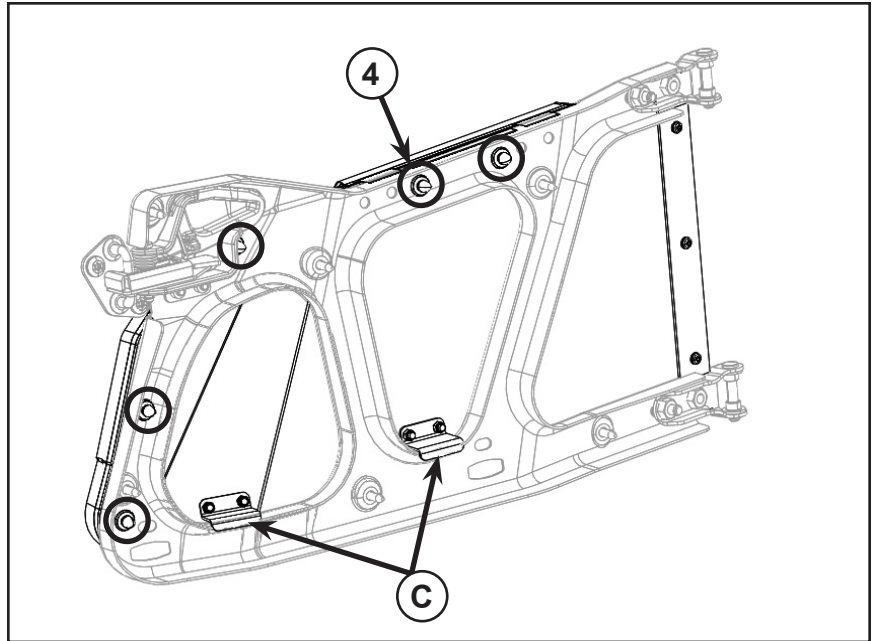
3. On the driver’s (LH) side, remove two screws (A) (one at the top and one at the bottom side) from the rear upper door hinge brackets as shown in figure.



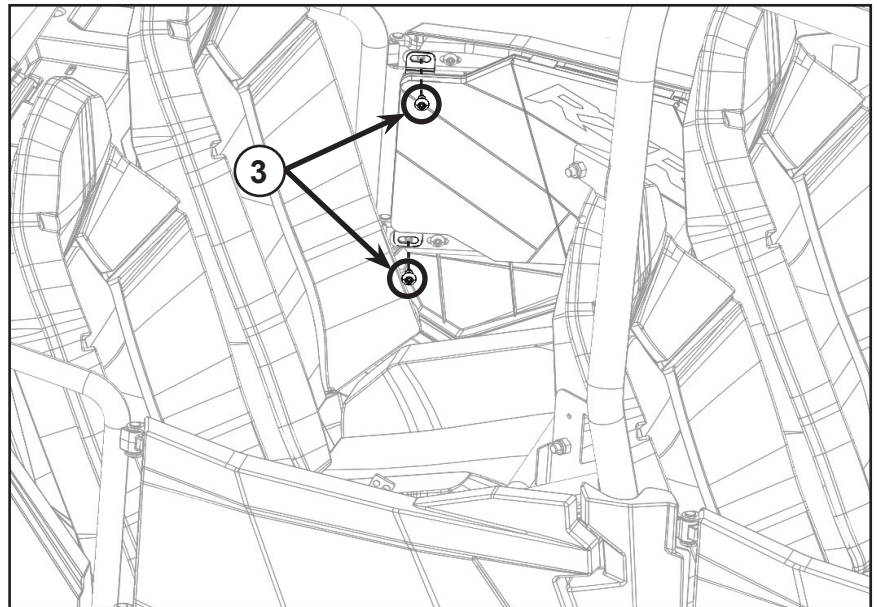
4. Align the LH door liner (1) to the rear door assembly (B) as shown in figure.



5. Hook and fit the door liner into the door frame at the bottom until the liner bracket (C) fits snug inside the frame, as shown in figure.
6. Press the five plastic darts (4) into the holes of the door frame. Ensure that all darts are securely attached to the door frame as shown in figure.



7. Install the two M8 screws (3) provided in the kit and attach the door liner on to the door hinge brackets. Tighten screws to a torque of 16 ft. lbs. (21.7 Nm) as shown in figure.

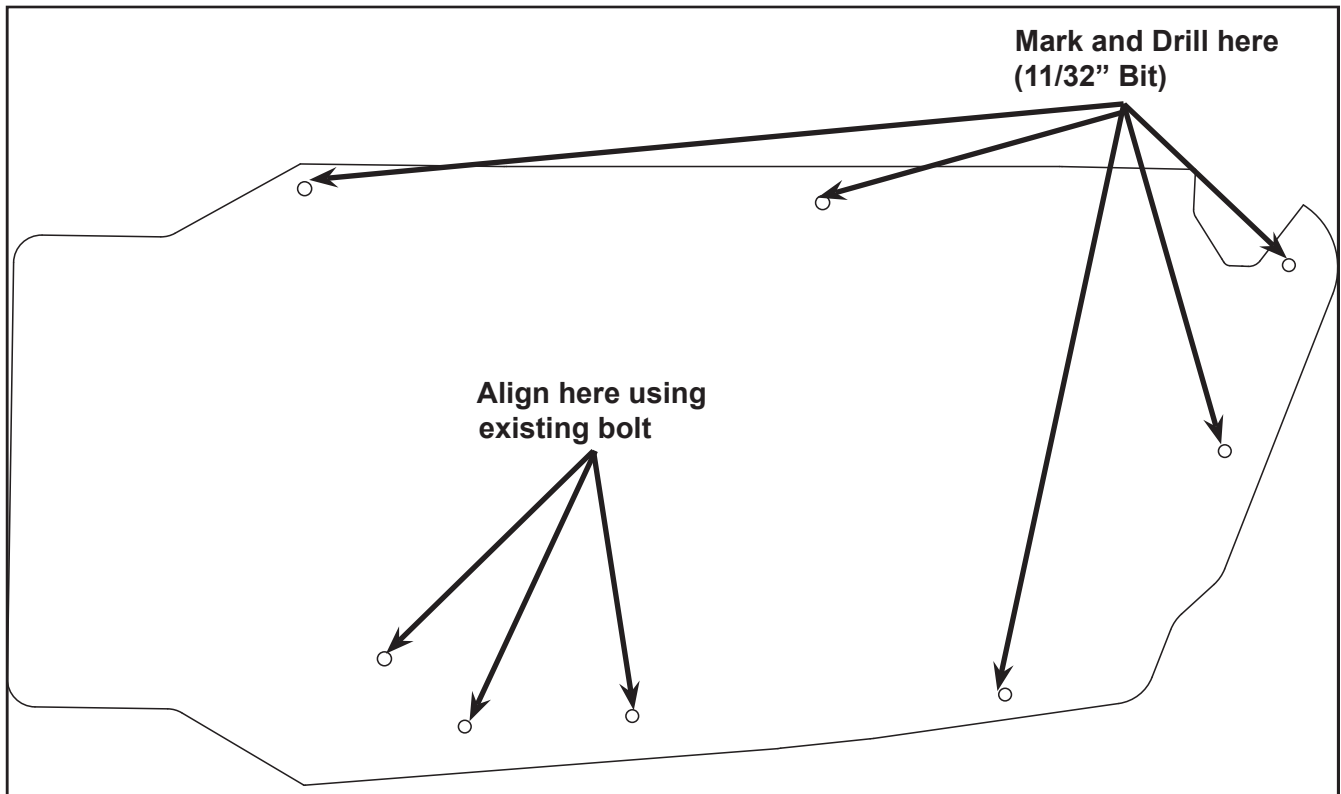


8. Repeat Steps 2-7 on the passenger side to install RH door liner (2).

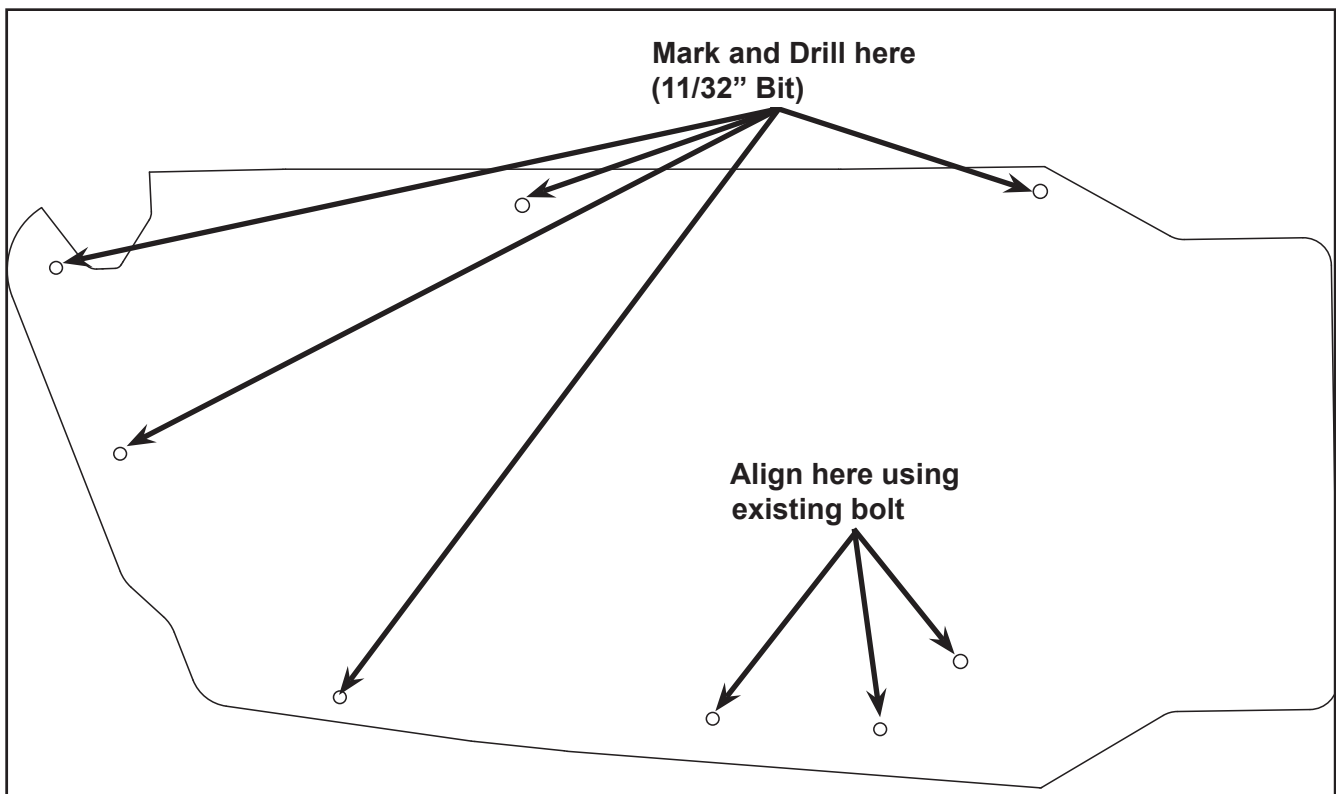
**UPPER DOOR LINER TEMPLATE:**

**NOTE: Below figure is only for reference and is not as per the actual size of template.**

**Driver Side**



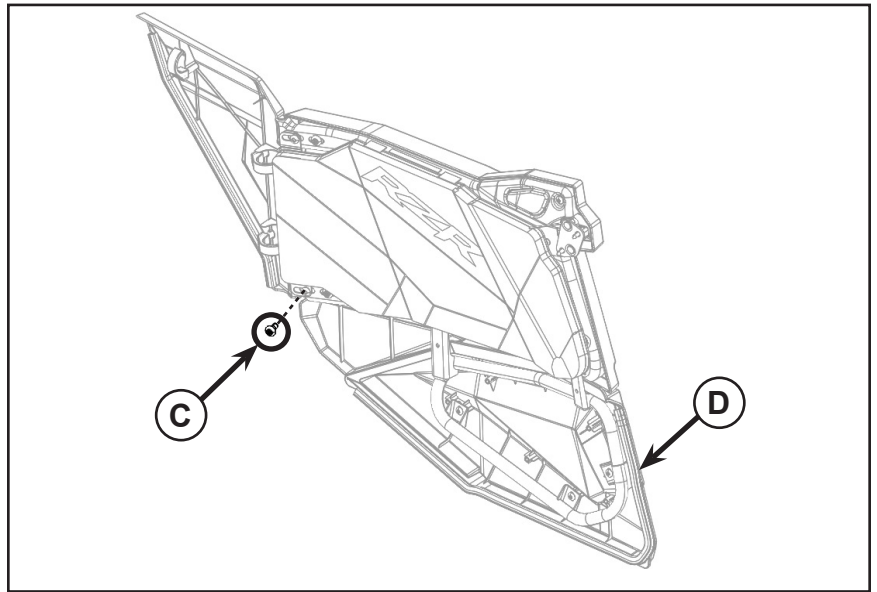
**Passenger Side**



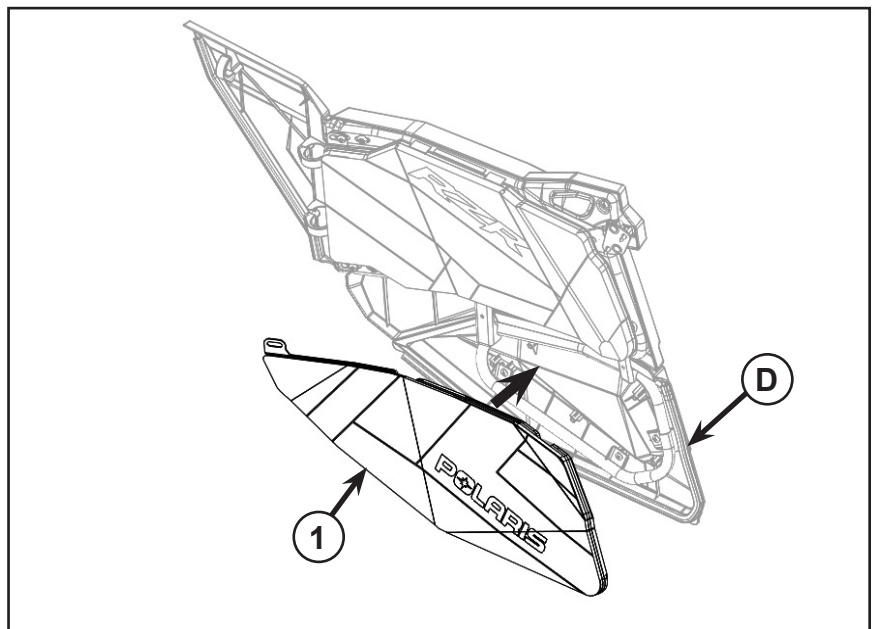
## INSTALLATION INSTRUCTIONS (KIT PN 2880704)

**IMPORTANT:** Prior to install **Lower Door Liner Kit (PN 2880704)**, you need to purchase and install **Lower Door Kit (PN 2879942)** on your vehicle.

1. On the driver's side, remove M8 screw (C) from the upper door (D). Retain screw for reassembly. See figure.

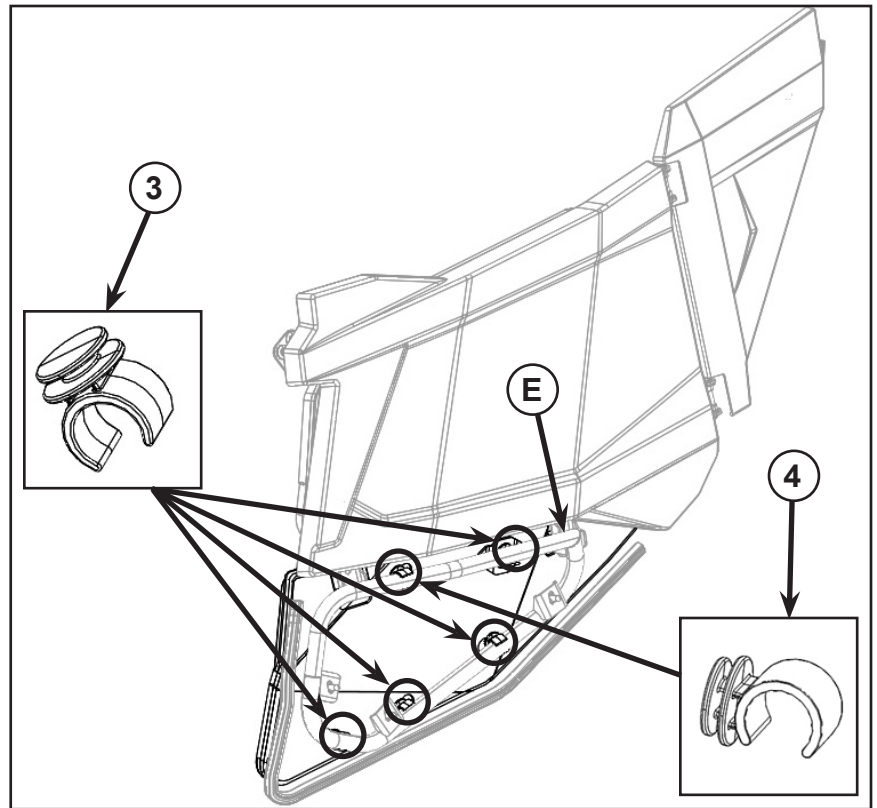


2. Align the LH door liner (1) to the rear lower door (D) assembly as shown in figure.

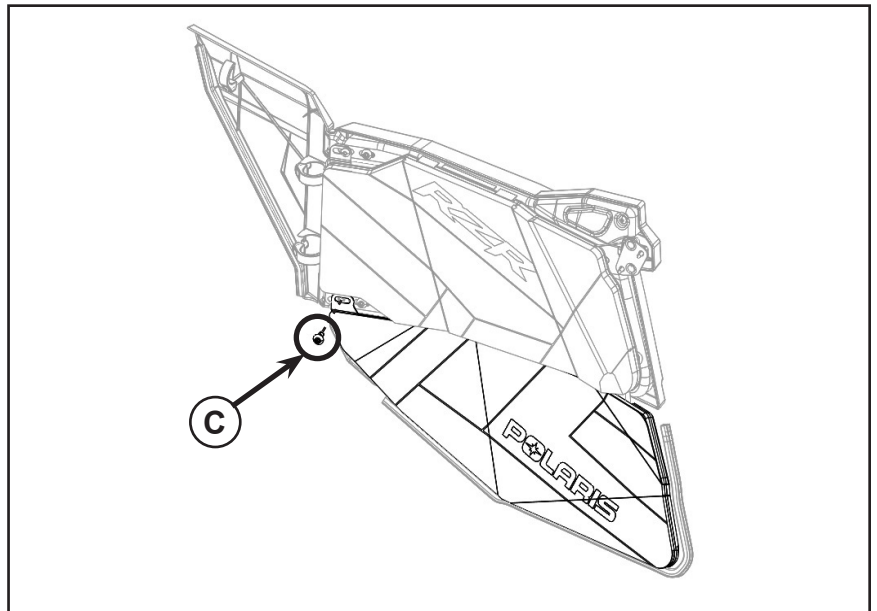




3. Press the liner to the door frame (E) until the four plastic clips (3) and 90° plastic clip (4) fits snug inside the frame as shown in figure.



4. Install the M8 screw (C) removed in Step 1. Tighten screw to a torque of 16 ft. lbs. (21.7 Nm) as shown in figure.



5. Repeat Steps 1-4 on the passenger side to install RH lower door liner (2).