

UPPER DOORS KIT



P/N 2884665

BEFORE YOU BEGIN

Read these instructions and check to be sure all parts and tools are accounted for. Please retain these installation instructions for future reference and parts ordering information.

APPLICATION

Verify accessory fitment at www.polaris.com.

ACCESSORY WEIGHT

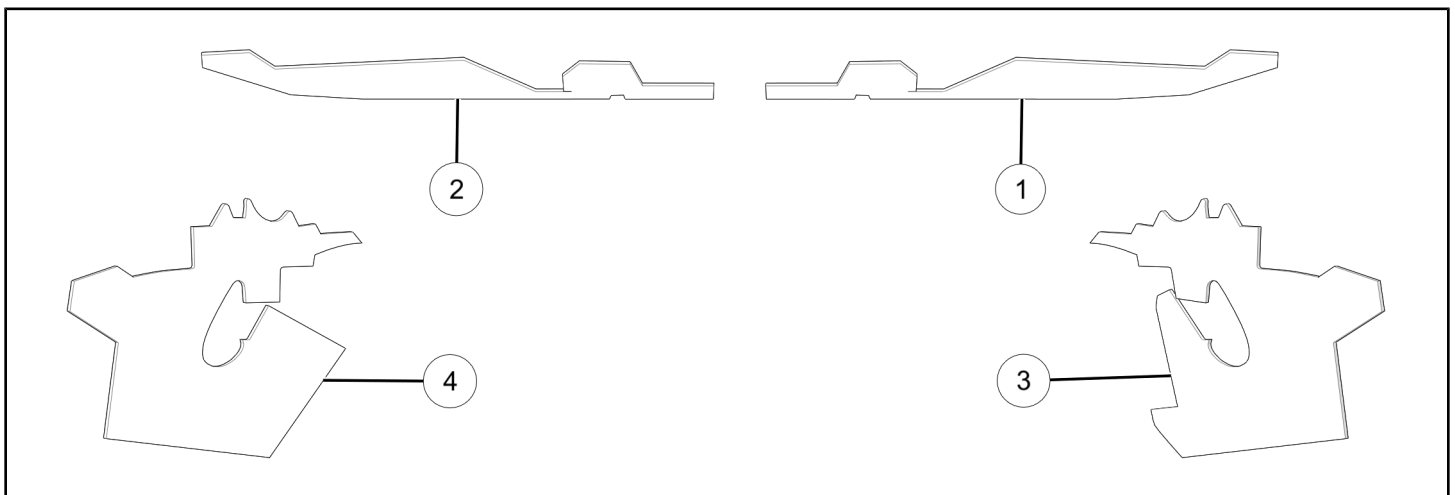
Accessories, passengers, and other factors may negatively affect ride performance. Refer to your vehicle's owner's manual for maximum weight capacity and suspension adjustment procedures.

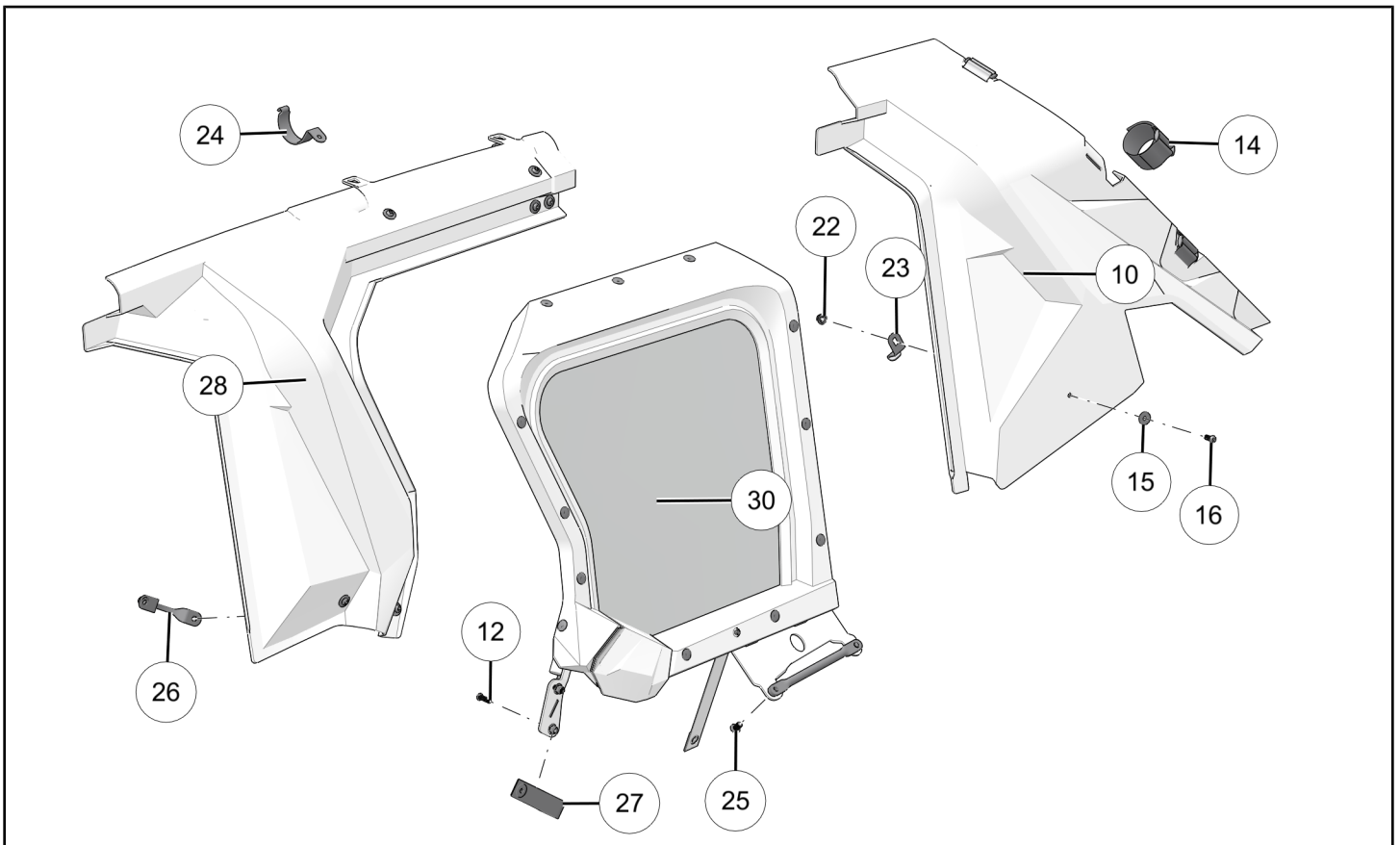
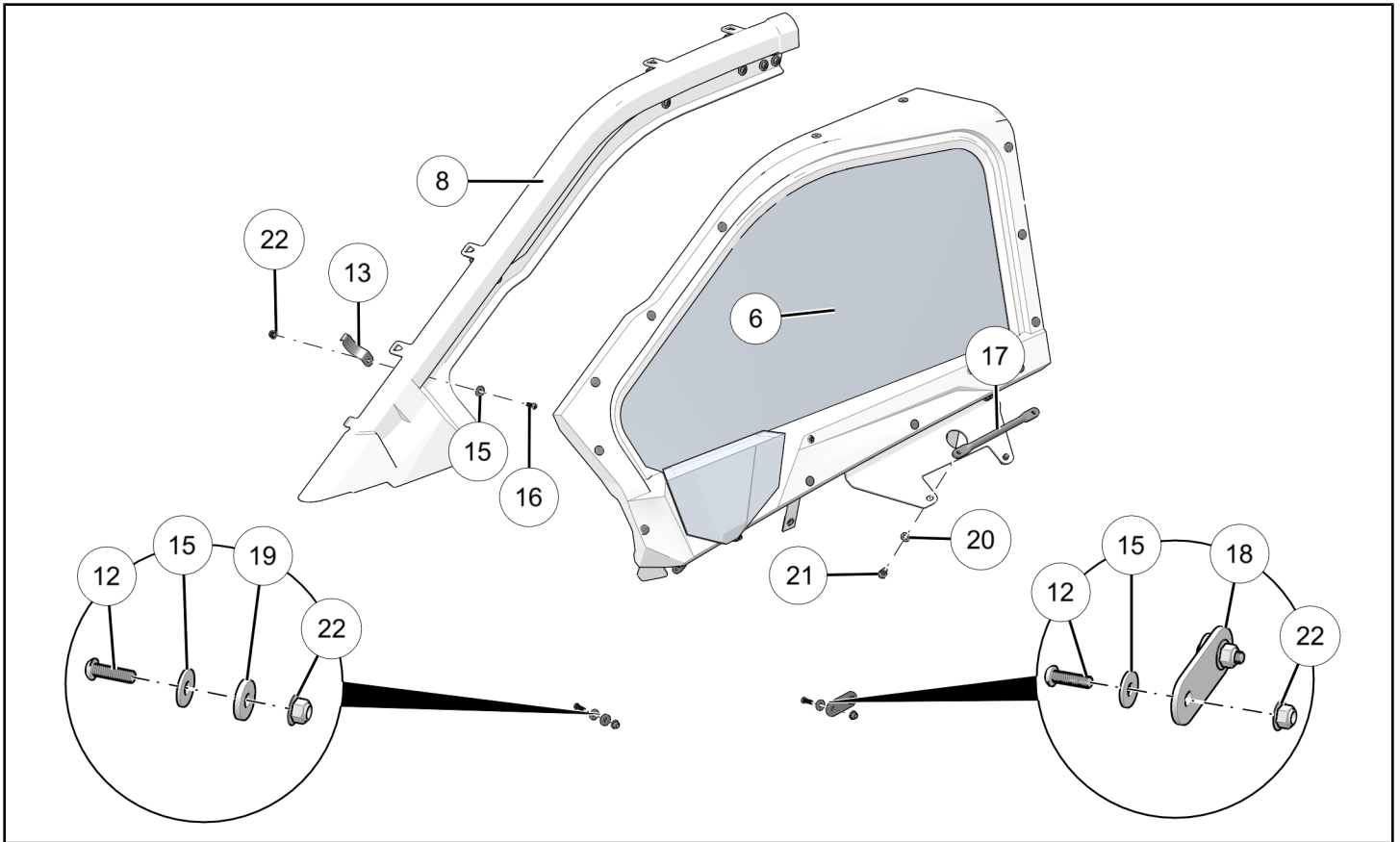
RECOMMENDED SOLD SEPARATELY

Only parts for installation of the Upper Doors Kit are included. For ease of accessory use, the following kit is recommended (sold separately):

- *Zipper Lubricant Kit*, P/N 2208916

KIT CONTENTS





REF	QTY	PART DESCRIPTION	P/N AVAILABLE SEPARATELY
1	1	Seal–Hood, Left-Hand	n/a
2	1	Seal–Hood, Right-Hand	n/a
3	1	Seal–Fender, Left-Hand	n/a
4	1	Seal–Fender, Right-Hand	n/a
5	2	Seal–Shroud (not shown)	n/a
6	1	Assembly–Door, Front, Left-Hand	2208850
7	1	Assembly–Door, Front, Right-Hand (not shown)	2208851
8	1	Shroud–Door, Front, Left-Hand	n/a
9	1	Shroud–Door, Front, Right-Hand (not shown)	n/a
10	1	Shroud–Door, Rear, Left-Hand	n/a
11	1	Shroud–Door, Rear, Right-Hand (not shown)	n/a
12	14	Screw–Torx® Button Head, M6 x 20 mm	n/a
13	8	Clip–Shroud, 2 in	n/a
14	6	Hook-and-Loop Straps, 1-1/2 in x 10 in	n/a
15	40	Washer–Fender, M6	n/a
16	26	Screw–Torx® Button Head, M6 x 16 mm	n/a
17	4	Bar–Hold	n/a
18	2	Spacer–Oval	n/a
19	6	Washer–Spacer, M6	n/a
20	8	Washer, M8	n/a
21	4	Screw–Hex Head, M8 x 12 mm	n/a
22	40	Nut–Nylon Locking, M6 x 1.0 mm	n/a
23	2	Clip–Z	n/a
24	2	Strap–C, 2 in	n/a
25	4	Screw–Torx® Pan Head, M8 x 1.25 x 12.0 mm	n/a
26	2	Shroud–Clip	n/a
27	2	Handle–Door, Rear	n/a
28	1	Shroud–Mid, Left-Hand	n/a
29	1	Shroud–Mid, Right-Hand (not shown)	n/a
30	1	Assembly–Door, Rear, Left-Hand	2208854
31	1	Assembly–Door, Rear, Right-Hand (not shown)	2208855

TOOLS REQUIRED

- Safety Glasses
- Cutting Tool
- Drill

- Drill Bit:
 - 1/4 in (6.5 mm)
- Pliers, Push Pin Rivet
- Screwdriver Set, Torx®
- Socket Set, Metric

- Socket Set, Torx® Bit
- Torque Wrench
- Wrench Set, Metric

IMPORTANT

Your Upper Doors Kit is exclusively designed for your vehicle. Please read the installation instructions thoroughly before beginning. Installation is easier if the vehicle is clean and free of debris. For your safety, and to ensure a satisfactory installation, perform all installation steps correctly in the sequence shown.

INSTALLATION INSTRUCTIONS

VEHICLE PREPARATION

GENERAL

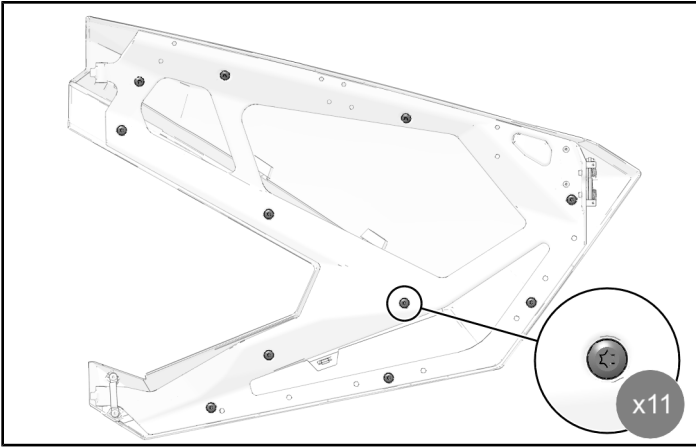
1. Shift vehicle transmission into PARK.
2. Turn key to OFF position and remove from vehicle.

FRONT DOOR PANEL REMOVAL

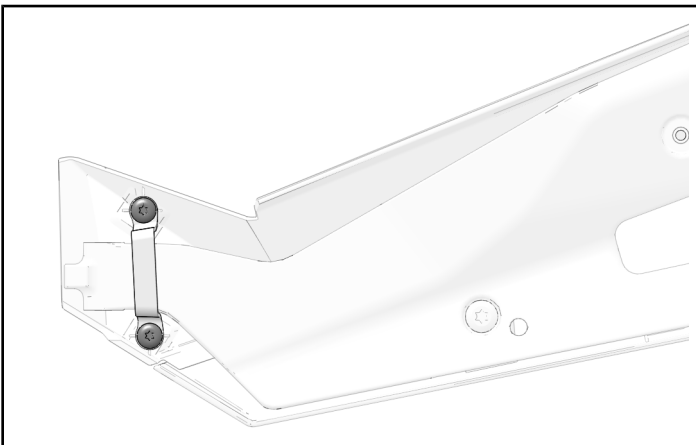
NOTICE

Left-hand door shown; right-hand door similar.

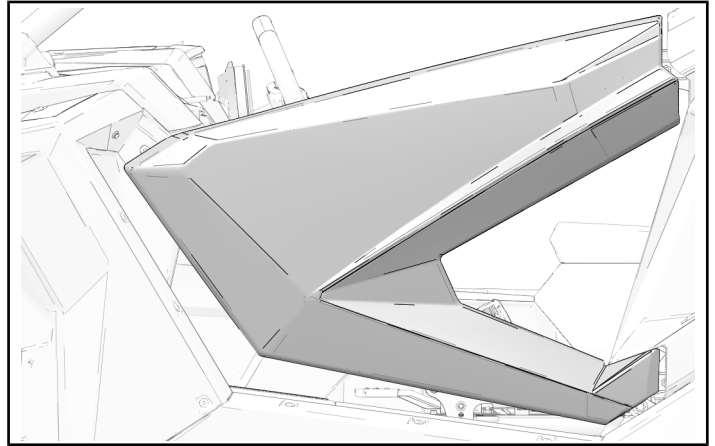
1. Remove eleven door panel fasteners.



2. Remove two bracket fasteners and trim bracket from door panel.



3. Remove door panel from door.

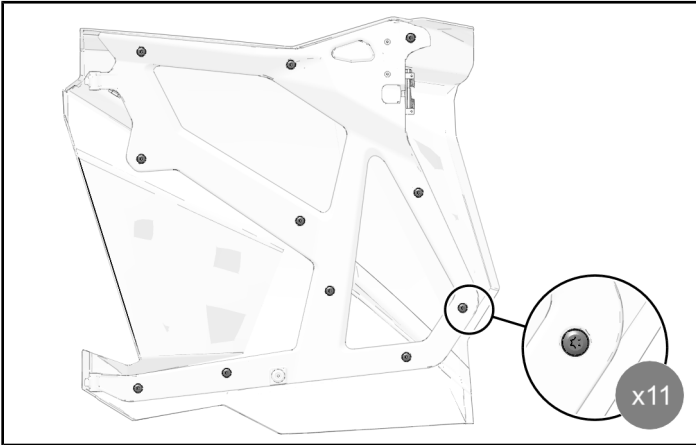


REAR DOOR PANEL REMOVAL

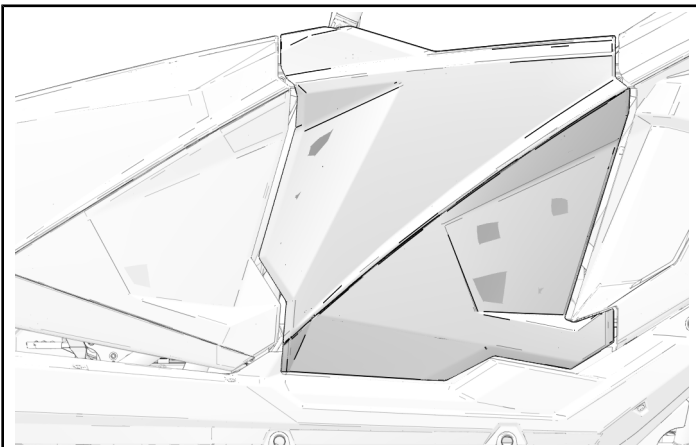
NOTICE

Left-hand door shown; right-hand door similar.

1. Remove eleven door panel fasteners.

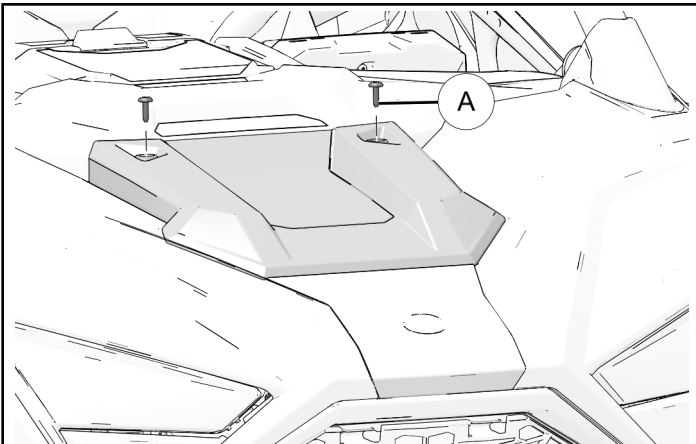


2. Remove door panel from door.



CENTER HOOD PANEL REMOVAL

1. Remove and retain two hood fasteners (A). Slide hood towards rear of vehicle to remove.



FRONT FENDER REMOVAL

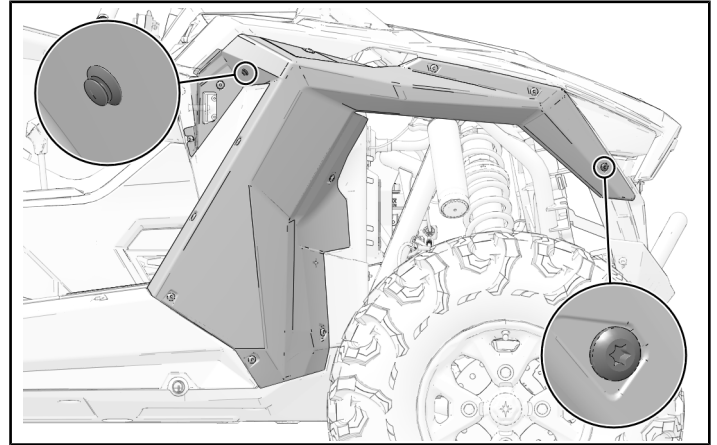
NOTICE

Right front fender shown; left front fender similar.

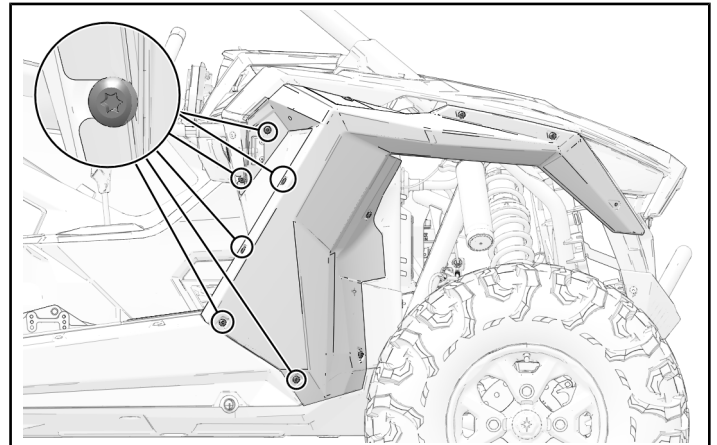
TIP

Fasteners in steps 2 and 3 are the same size.

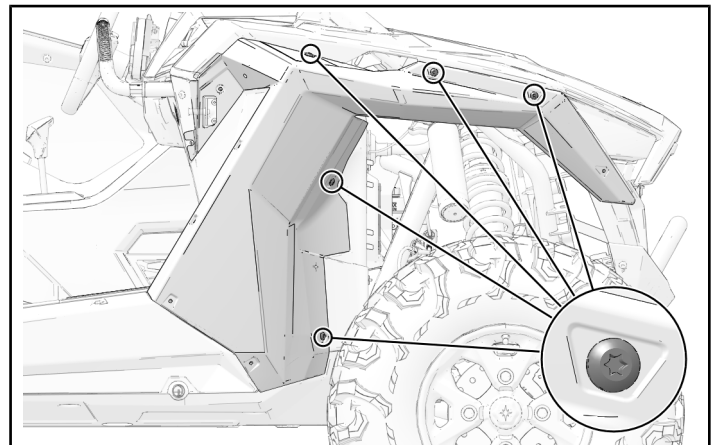
1. Remove the most front fastener (shorter) and one push-pin rivet.



2. Remove six fasteners from rear of front fender.



3. Remove five fasteners from front fender.



ACCESSORY INSTALLATION

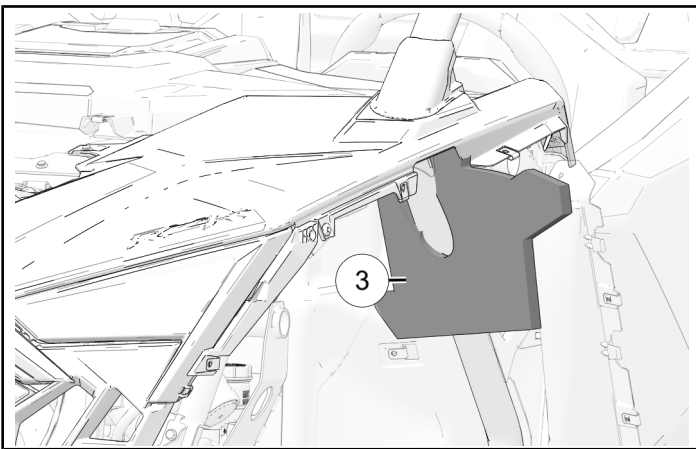
Instructions for three different configurations are included. After installing the foam seals, choose which configuration best fits your vehicle.

- Plastic Door/Aluminum Door + Upper Door Installation, page 9
- Plastic Door + Inner Door + Upper Door Installation, page 16
- Aluminum Door + Inner Door + Upper Door Installation, page 23

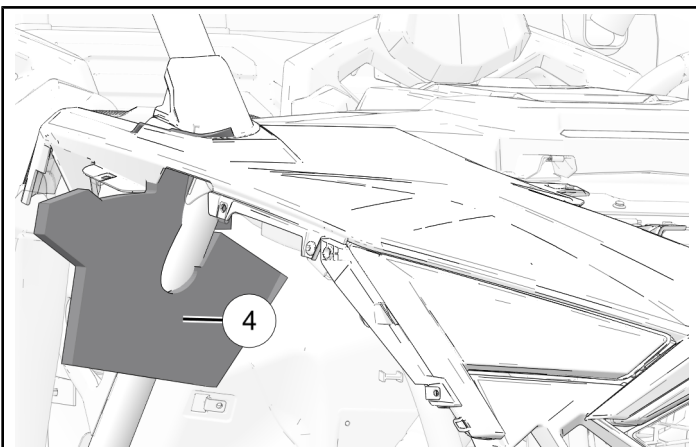
FOAM SEAL INSTALLATION

FENDER SEAL INSTALLATION

1. Put left fender seal ③ around chassis tube.

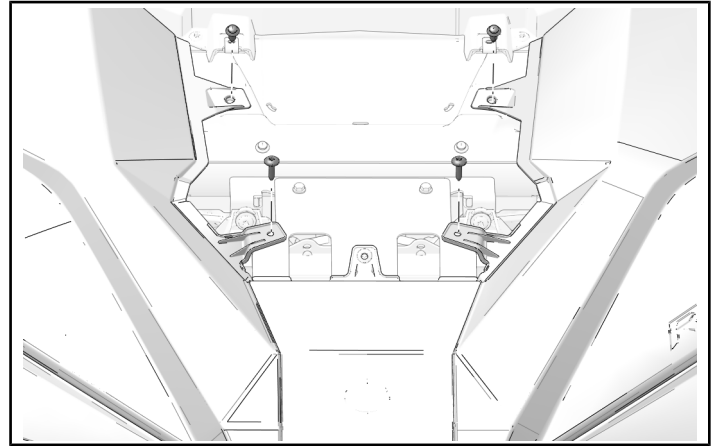


2. Put right fender seal ④ around chassis tube.

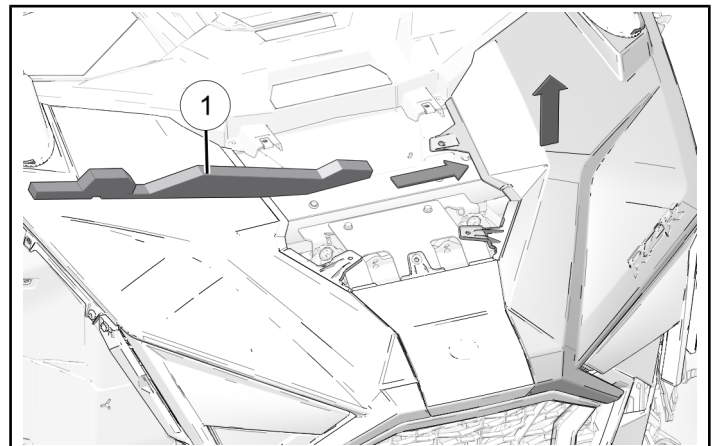


UPPER FENDER SEAL INSTALLATION

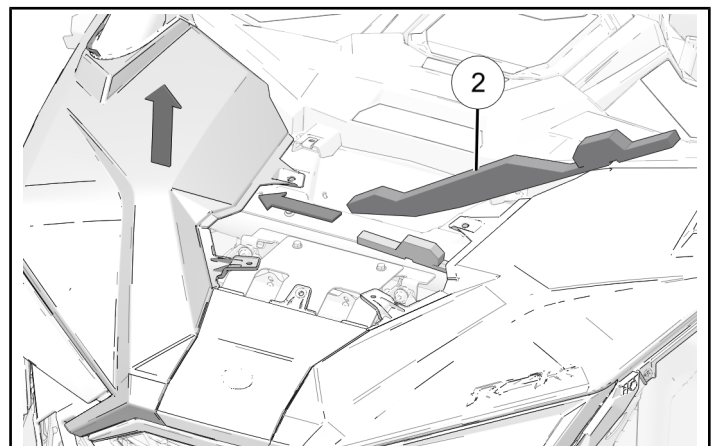
1. Remove and keep two fasteners and two push-pin rivets.



2. Lift upper fender upwards and slide hood seal ① under panel along chassis tube.



3. Lift upper fender upwards and slide hood seal ② under panel along chassis tube.



4. Reinstall two fasteners and two push-pin rivets. Torque two fasteners to specification.

TORQUE

Upper Fender Fasteners:
53 in-lbs (6 N·m)

SHROUD SEAL INSTALLATION

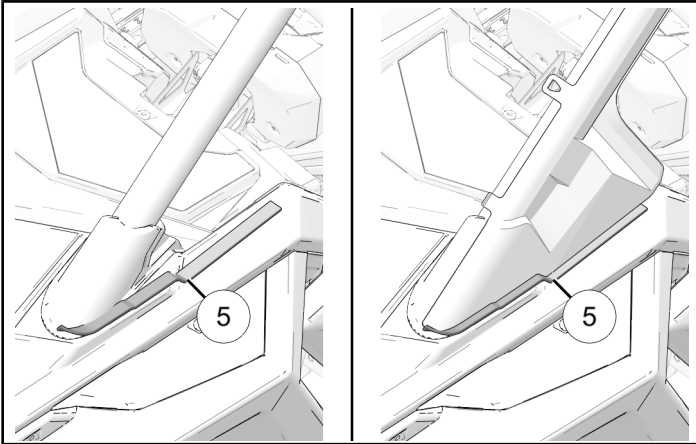
NOTE

Left side shown; right side similar.

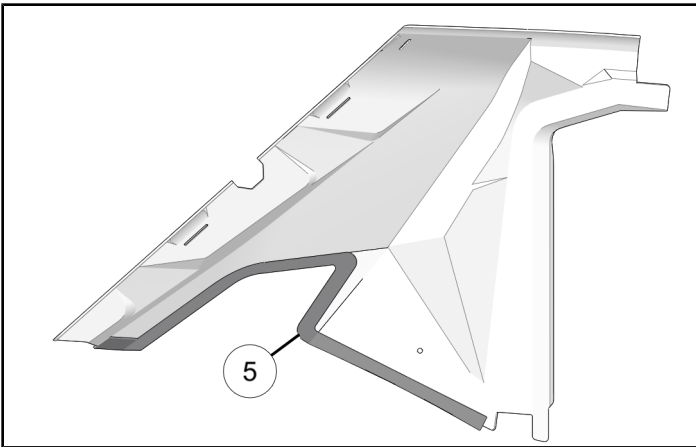
1. Put foam tape ⑤ along upper fender, extending from front of speaker boot along contours of the body plastic. Cut foam tape and apply to vehicle.

TIP

Place front shroud against roll-cage to verify correct placement for foam tape.



2. Use remaining foam tape ⑤ to apply to rear shroud.

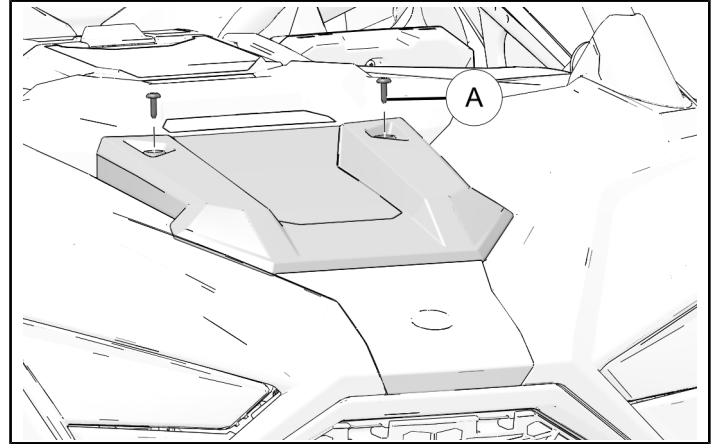


CENTER HOOD PANEL INSTALLATION

1. Slide panel forward until tabs slide into front hood panel and install with two hood fasteners ①.

TORQUE

Hood Fasteners ①:
89 in-lbs (10 N·m)



FRONT FENDER INSTALLATION

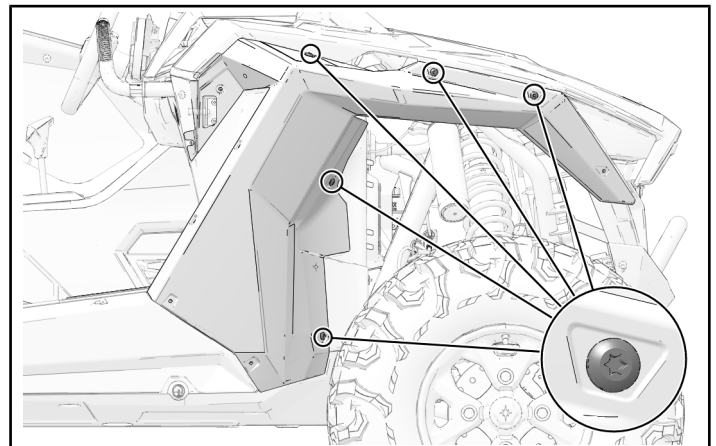
NOTICE

Right front fender shown; left front fender similar.

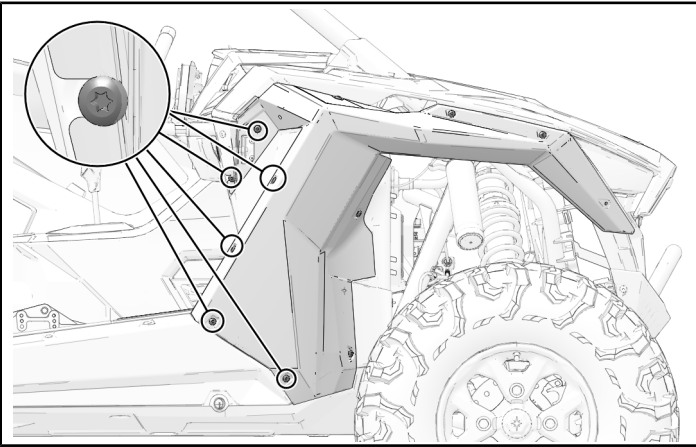
TIP

Fasteners in steps 1 and 2 are the same size.

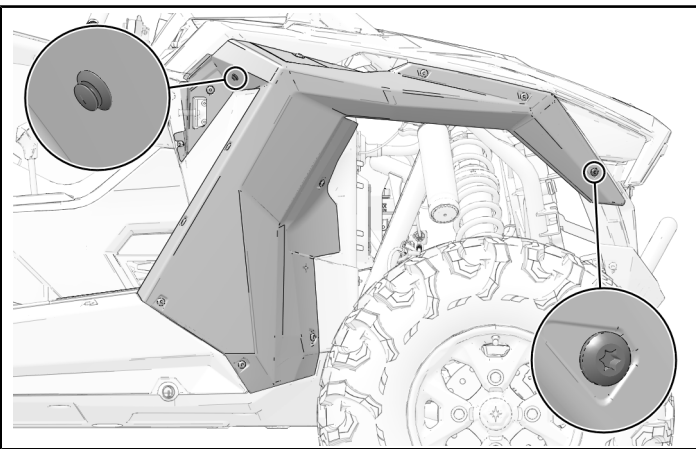
1. Align fender with vehicle and install five fasteners from front fender.



2. Install six fasteners at rear of front fender.



3. Install the most front fastener (shorter) and one push-pin rivet.



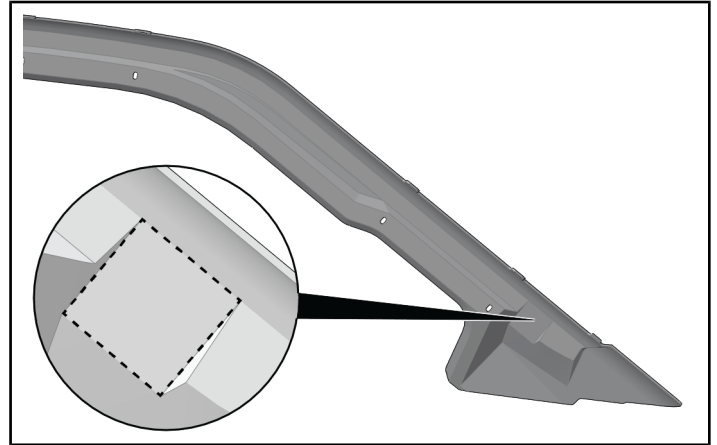
4. Torque all fender fasteners to specification.

TORQUE

Fender Fasteners:
89 in-lbs (10 N·m)

FRONT SHROUD PREPARATION

1. For mirror-equipped vehicles cut shroud where shown.



PLASTIC DOOR/ALUMINUM DOOR + UPPER DOOR INSTALLATION

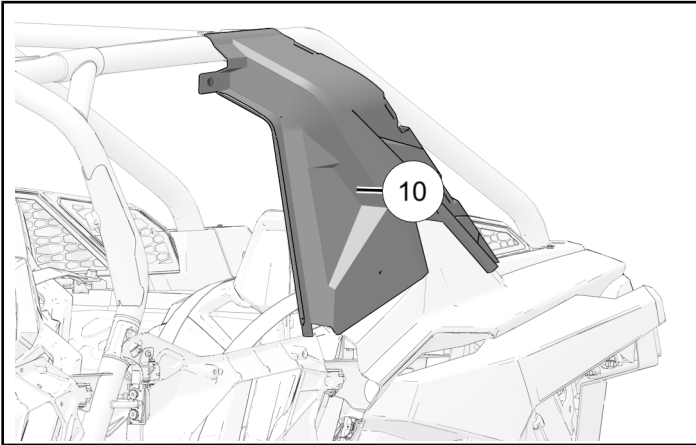
NOTICE

Left door shown; right door similar.

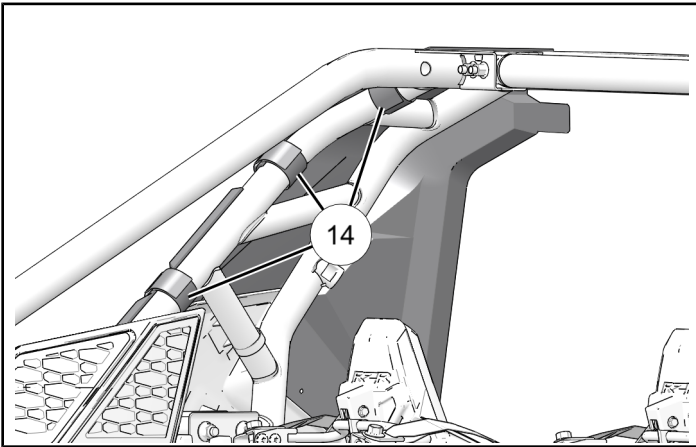
UPPER DOOR INSTALLATION

Shroud Installation

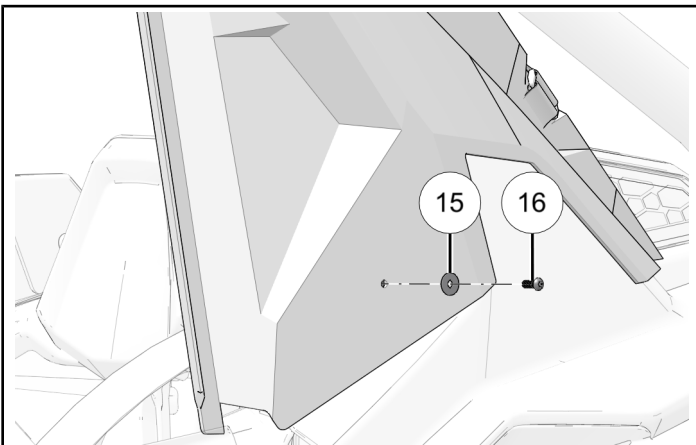
1. Align rear shroud ⑩ with roll-cage.



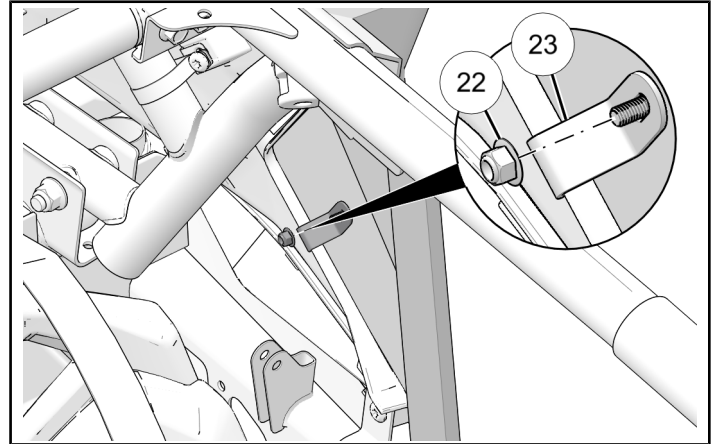
2. Attach rear shroud to roll cage with three hook-and-loops straps ⑭.



3. Put one fastener ⑯ through one washer ⑮ and rear shroud.



4. Hook Z-clip ⑳ onto rear body plastic and align with previously installed fastener. Secure with one nut ㉑.

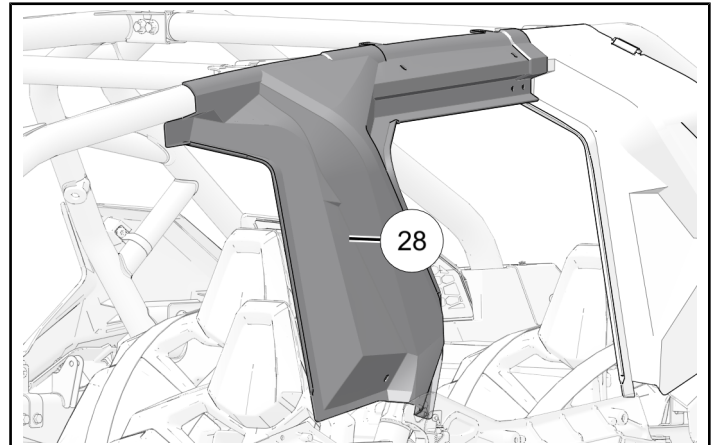


5. Counter-hold nut ㉒ and torque fastener ⑯ to specification.

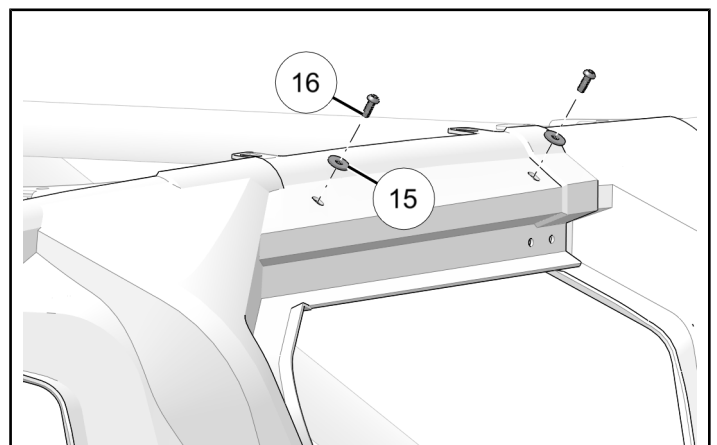
TORQUE

Shroud Fasteners ⑯:
35 in-lbs (4 N·m)

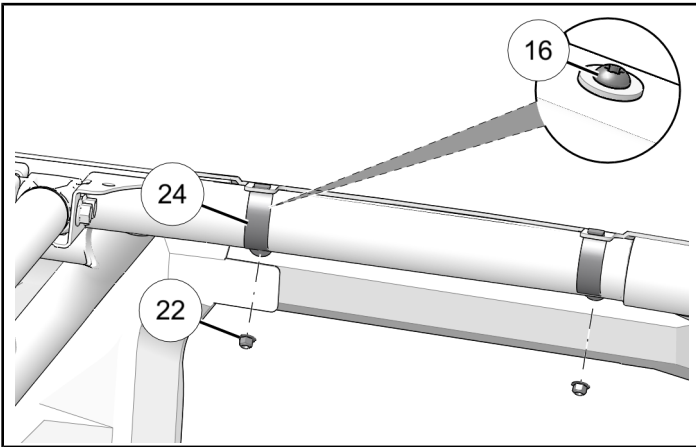
6. Align middle shroud ㉔ with roll-cage and overlap rear shroud..



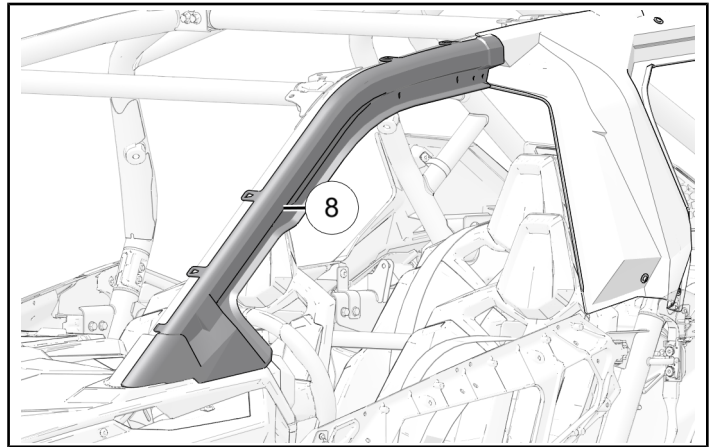
7. Put two fasteners ⑯ through two washers ⑮ and through middle shroud.



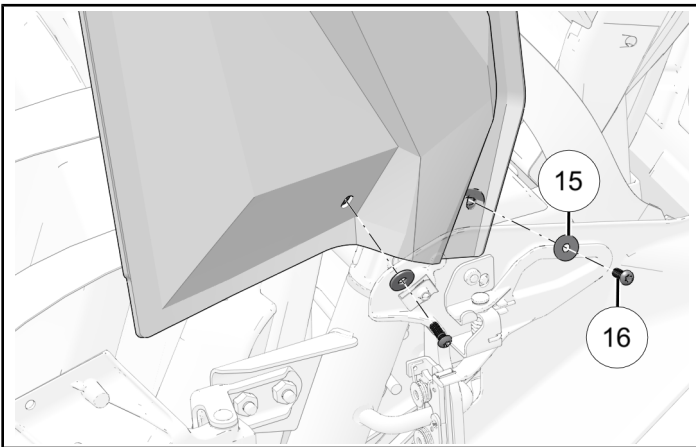
8. Hook shroud C-clip ②④ onto shroud and align with fastener ①⑥. Secure with one nut ②②.



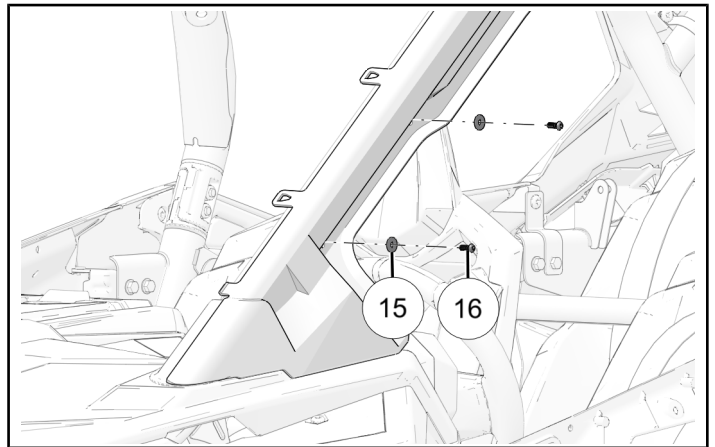
11. Align front shroud ⑧ with roll-cage and overlap middle shroud.



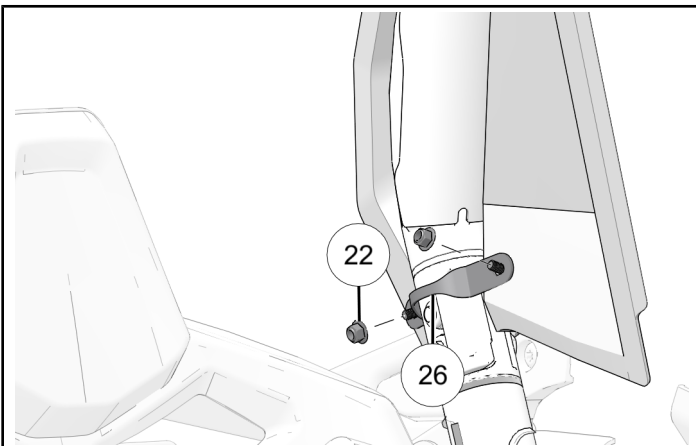
9. Put two fasteners ①⑥ through two washers ①⑤ and through middle shroud.



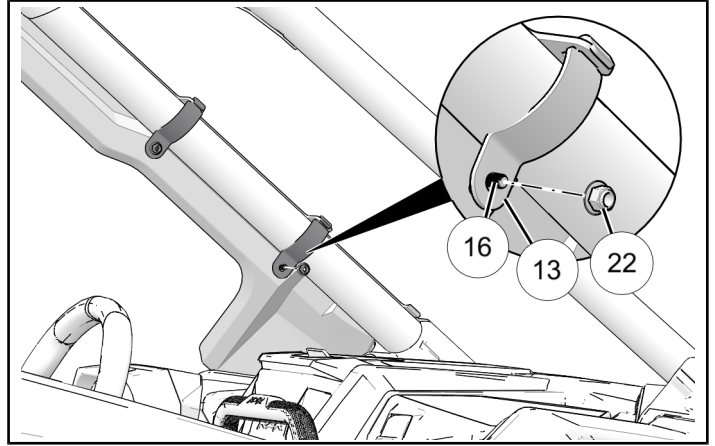
12. Put two fasteners ①⑥ through two washers ①⑤ and through front shroud.



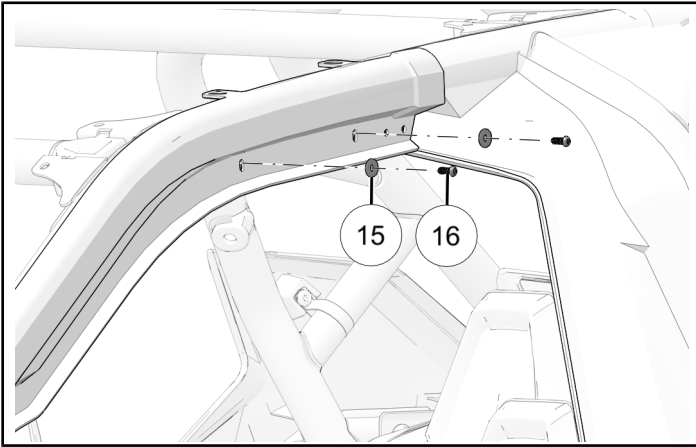
10. Wrap shroud clip ②⑥ around roll-cage tube and align with fasteners. Secure with two nuts ②②.



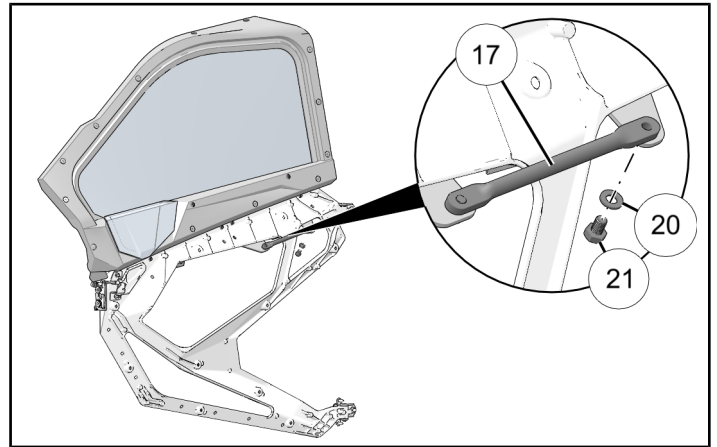
13. Hook shroud clip ①③ onto shroud and align with fastener ①⑥. Secure with one nut ②②.



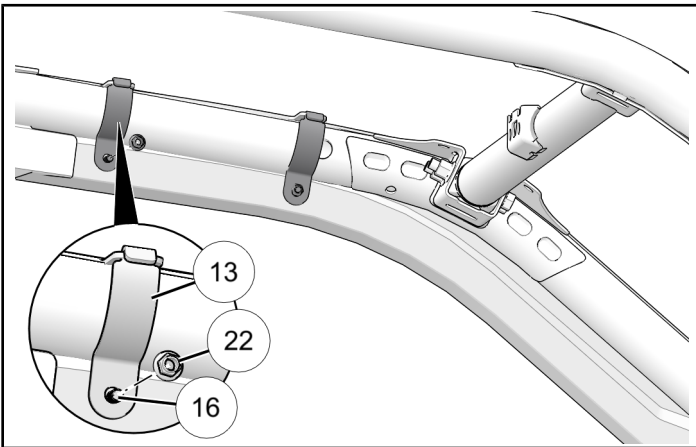
14. Put two fasteners ⑯ through two washers ⑮ and through front shroud.



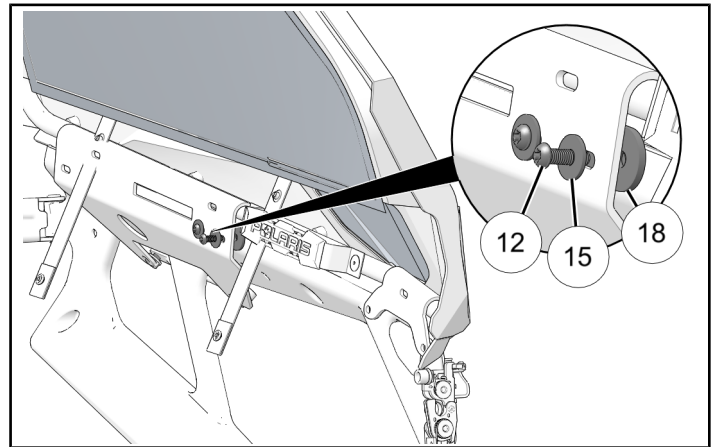
2. Hold door panel upright and install holding bar ⑰ with two fasteners ⑳ and two washers ㉑.



15. Hook shroud clip ⑬ onto shroud and align with fastener ⑯. Secure with one nut ㉒.

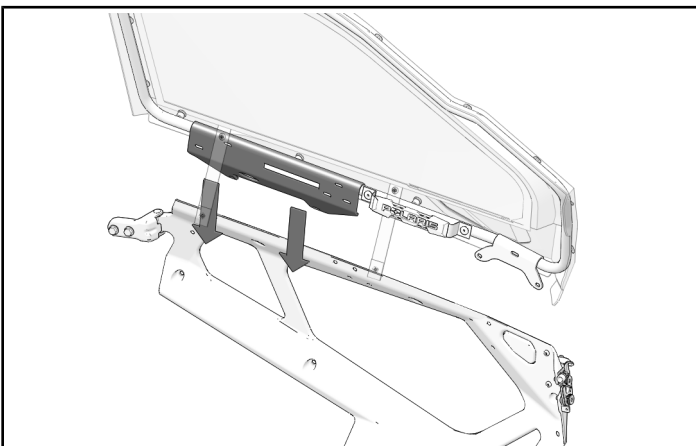


3. Put two door bracket fasteners ⑫ through four washers ⑮, oval spacer ⑱, and door frame.

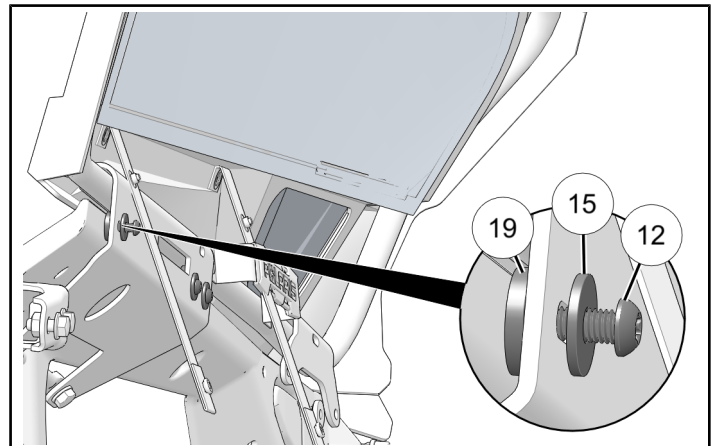


Front Upper Door Installation

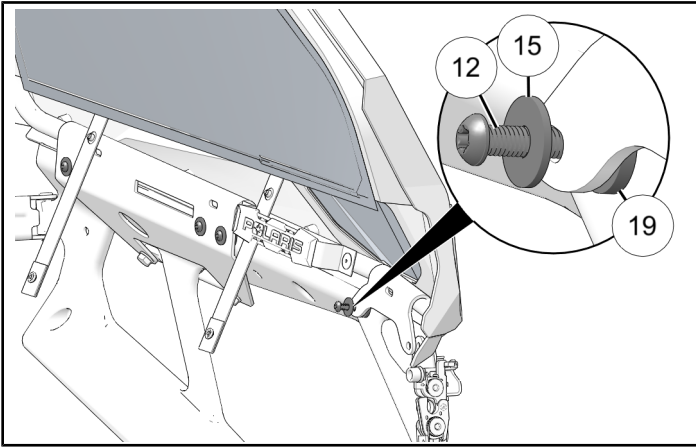
1. Put upper door panel against door frame.



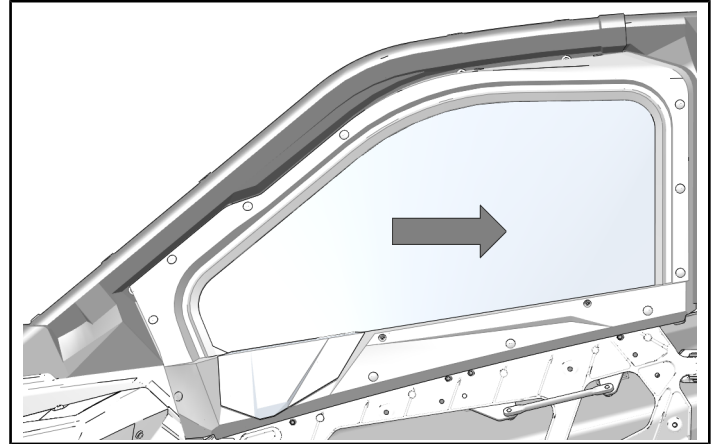
4. Put one door bracket fastener ⑫ through one washer ⑮, one spacer ⑲, and door frame.



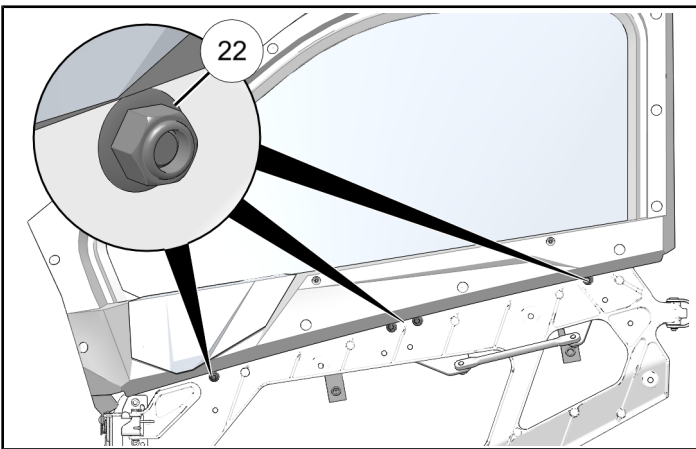
- Put one door bracket fastener ⑫ through one washer ⑮, one spacer ⑲, and door frame.



- Move door assembly to most-rearward position, making sure door seals firmly against front and rear shroud.



- Secure door bracket fasteners with four nuts ⑳.



- Counter-hold nuts ㉑ (where applicable) and torque five fasteners ⑫ to specification

TORQUE

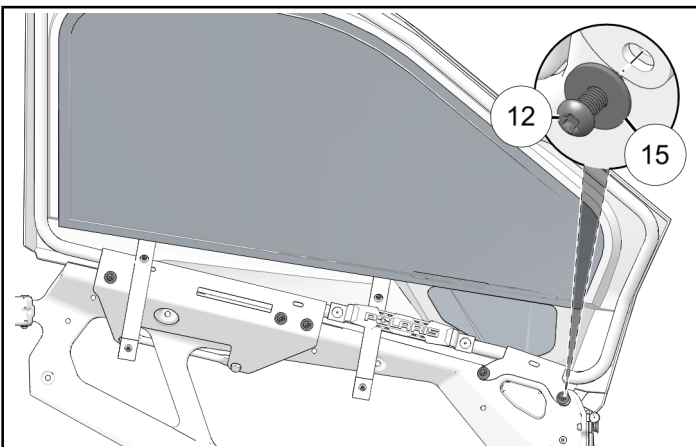
Door Bracket Fasteners ⑫:
8 ft-lbs (11 N·m)

- Torque two holding bar fasteners ㉒ to specification.

TORQUE

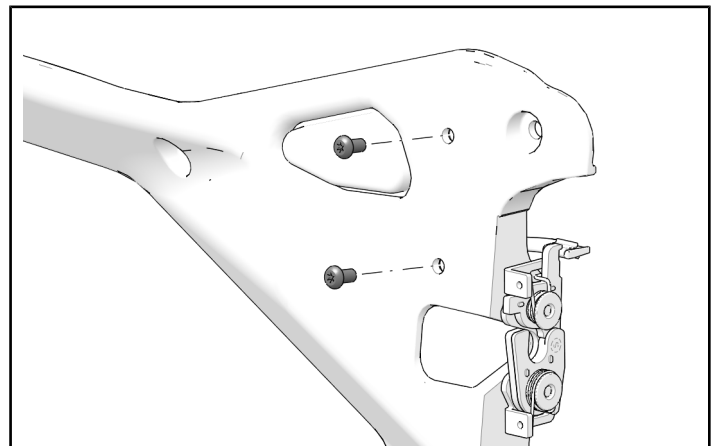
Holding Bar Fasteners ㉒:
13 ft-lbs (18 N·m)

- Install front-most part of door panel with one fastener ⑫ and one washer ⑮.

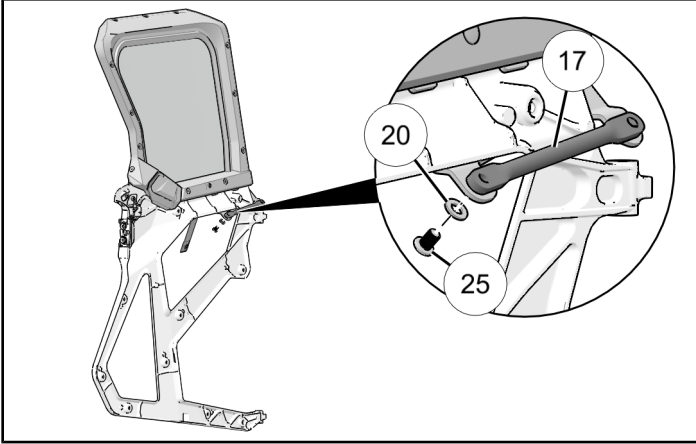


Rear Upper Door Installation

- Remove and discard two door latch fasteners.



- Align rear upper door with rear door frame and secure with holding bar (17), two fasteners (25), and two washers (20).



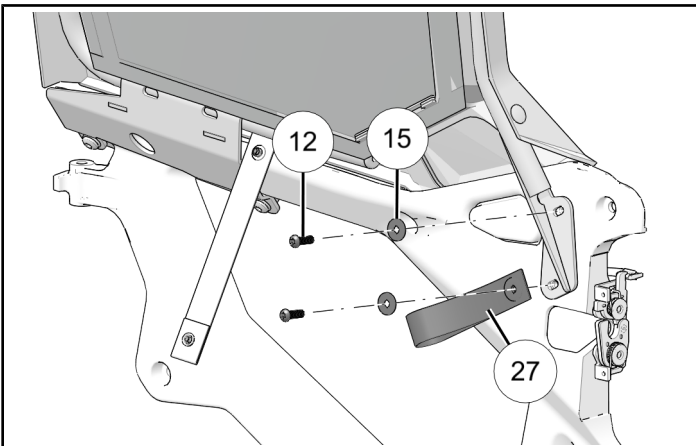
- Install front of rear upper door with two fasteners (12) and two washers (15). Install rear door handle (27) to bottom fastener location.

TIP

Make sure handle (27) is angled rearward when installed.

TORQUE

Upper Door Mount Fasteners (12):
8 ft-lbs (11 N·m)



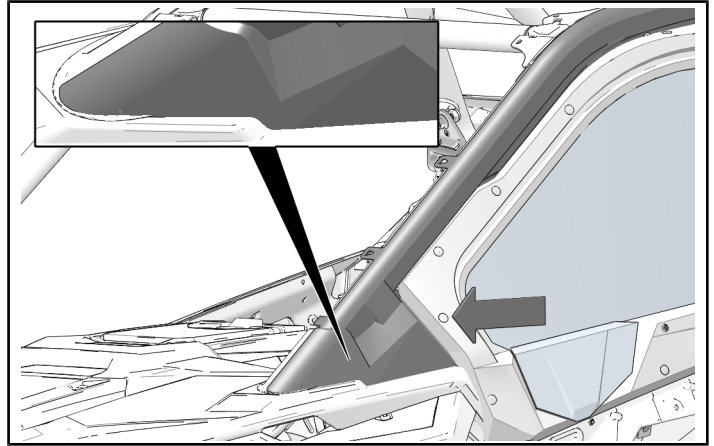
- Torque two holding bar fasteners (21) to specification.

TORQUE

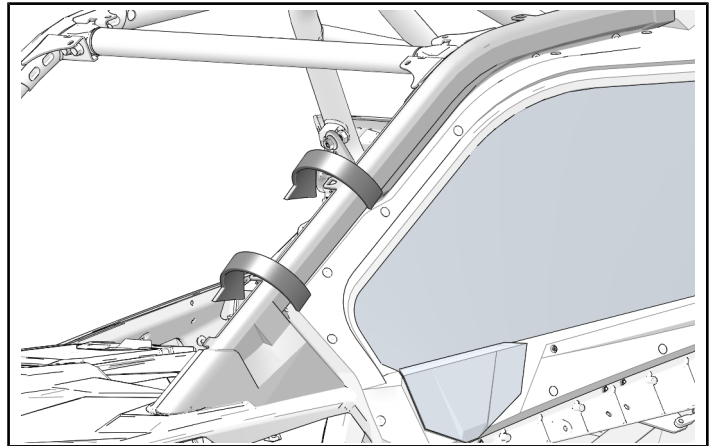
Holding Bar Fasteners (21):
13 ft-lbs (18 N·m)

Shroud Adjustment

- Make sure front shroud seal is firmly against contours of upper fender and tweeter boot.



- Front shroud may need to be twisted slightly inward for shroud to seal tightly against vehicle.



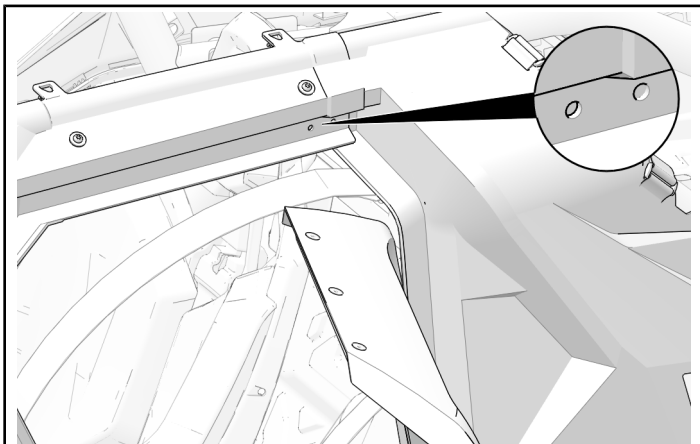
- Counter-hold nuts (22) and torque shroud fasteners (16) to specification.

TORQUE

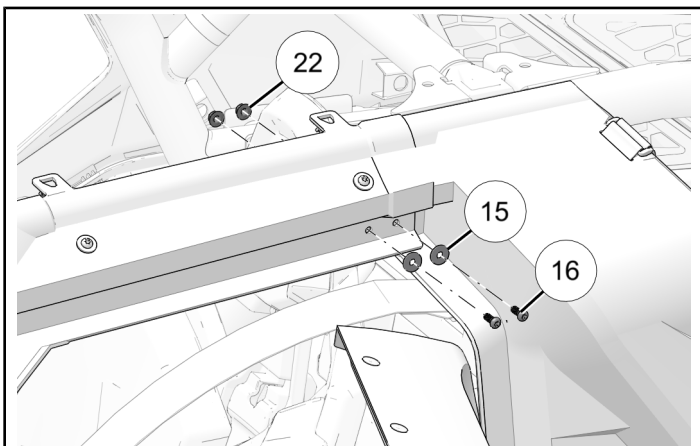
Shroud Fasteners (16):
35 in-lbs (4 N·m)

Shroud Installation Continued

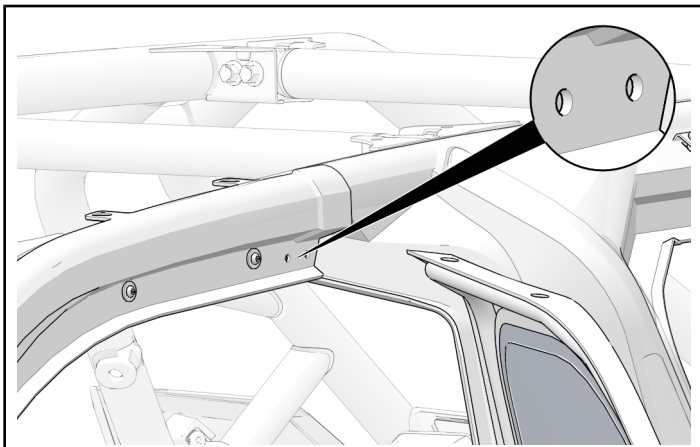
1. Use middle shroud as a template to drill two **1/4 in (6.5 mm)** holes through rear shroud.



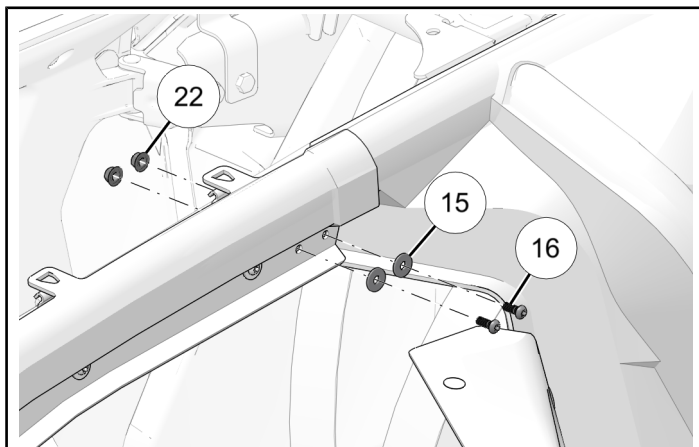
2. Install middle shroud to rear shroud with two fasteners ⑯, two washers ⑮, and two nuts ⑳.



3. Use front shroud as a template to drill two **1/4 in (6.5 mm)** holes through middle shroud.



4. Install front shroud to middle shroud with two fasteners ⑯, two washers ⑮, and two nuts ⑳.



5. Counter-hold nuts ⑳ and torque four shroud fasteners ⑯ to specification.

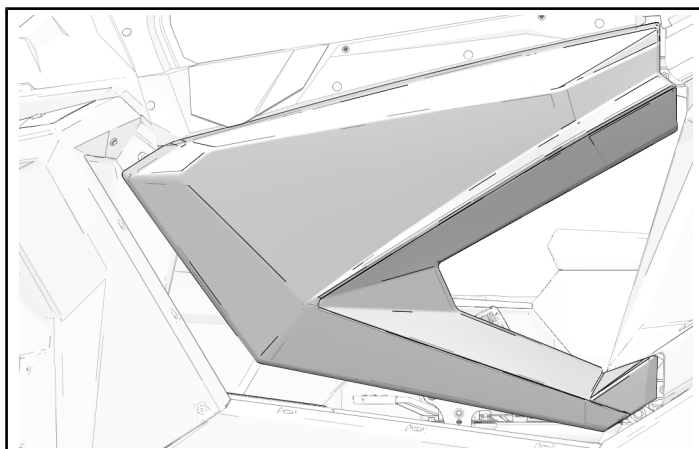
TORQUE

Shroud Fasteners ⑯:
35 in-lbs (4 N·m)

DOOR PANEL INSTALLATION

Plastic Door Installation

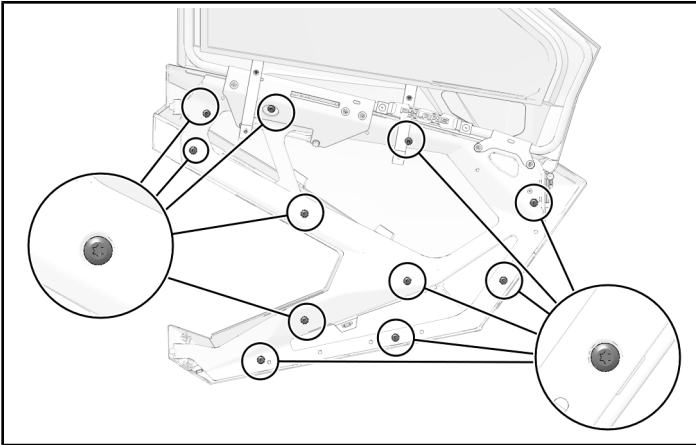
1. Align door panel with door frame.



2. From inside of door, install door panel with eleven door panel fasteners.

TORQUE

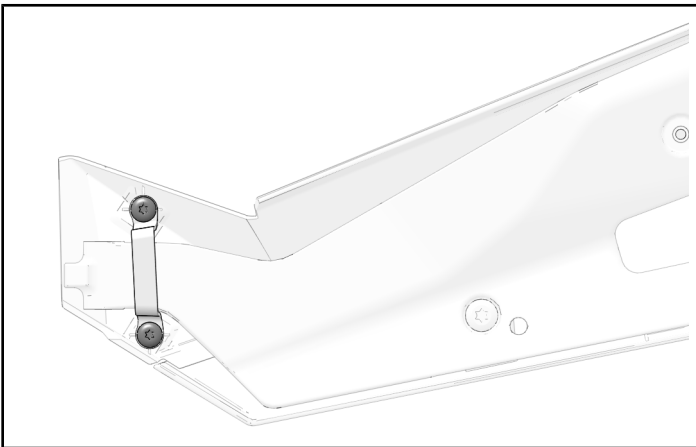
Door Panel Fasteners:
35 in-lbs (4 N·m)



3. Install trim bracket with two bracket fasteners.

TORQUE

Trim Bracket Fasteners:
18 in-lbs (2 N·m)



Aluminum Door Installation

Refer to *Aluminum Door Kit* installation instructions.

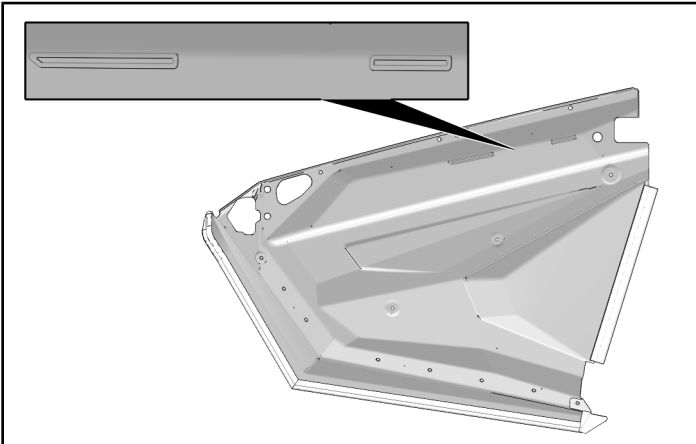
PLASTIC DOOR + INNER DOOR + UPPER DOOR INSTALLATION

NOTICE

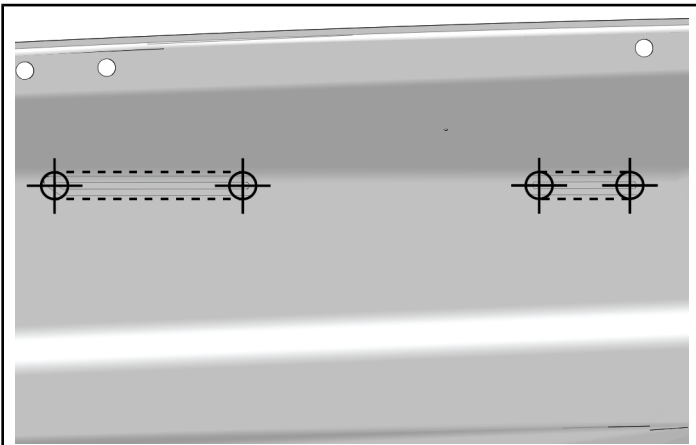
Left door shown; right door similar.

PREPARE INNER DOOR FOR UPPER DOOR

1. Identify embossed lines on inner door panel.

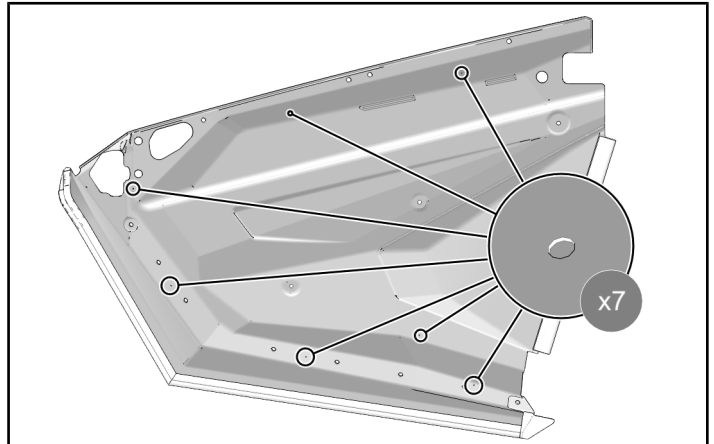


2. Drill one **1/4 in (6.5 mm)** hole at each end of rectangular embossed lines. Cut remaining plastic, between drilled holes, with utility knife or equivalent.



PREPARE INNER DOOR FOR PLASTIC DOOR

1. Identify and drill seven embossed drill marks on inner door panel. Drill one **1/4 in (6.5 mm)** hole at each mark.



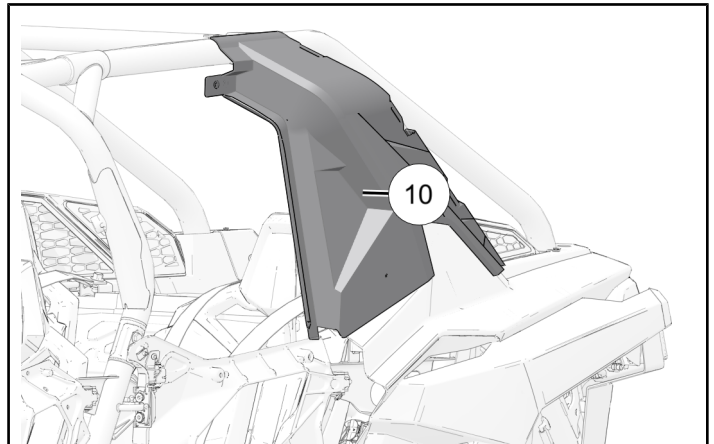
INNER DOOR INSTALLATION

Refer to *Inner Door Kit* installation instructions.

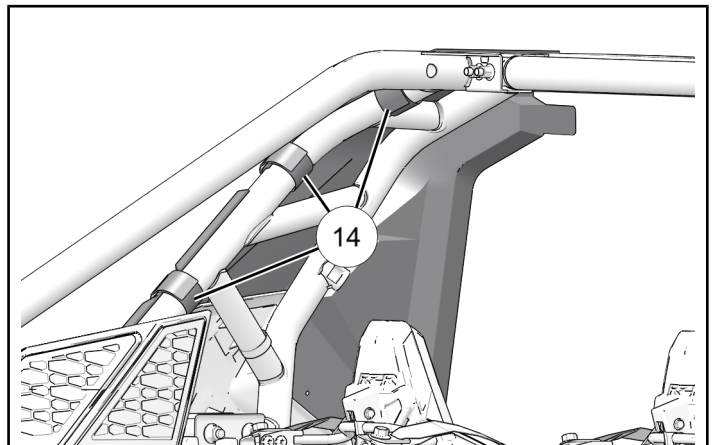
UPPER DOOR INSTALLATION

Shroud Installation

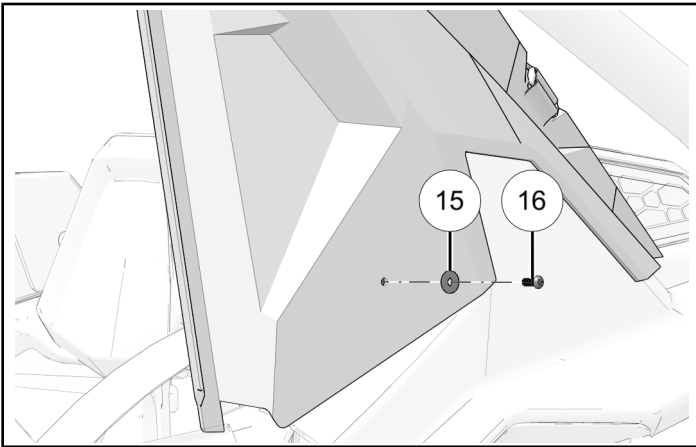
1. Align rear shroud ⑩ with roll-cage.



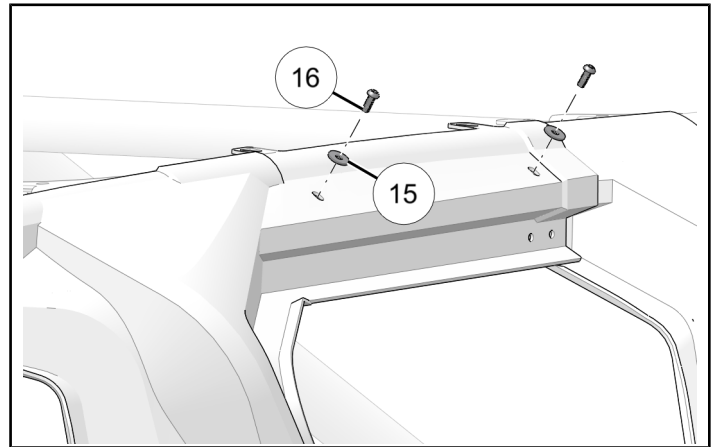
2. Attach rear shroud to roll cage with three hook-and-loops straps ⑭.



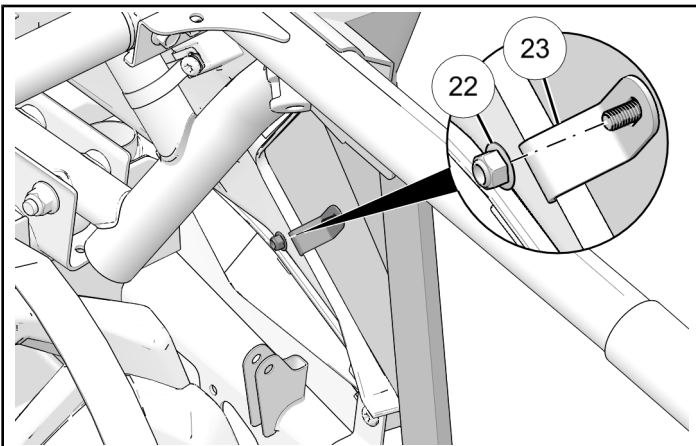
3. Put one fastener ⑯ through one washer ⑮ and rear shroud.



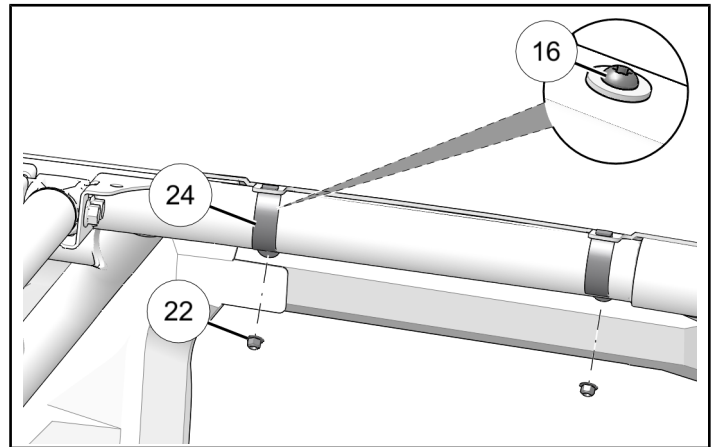
7. Put two fasteners ⑯ through two washers ⑮ and through middle shroud.



4. Hook Z-clip ㉓ onto rear body plastic and align with previously installed fastener. Secure with one nut ㉒.



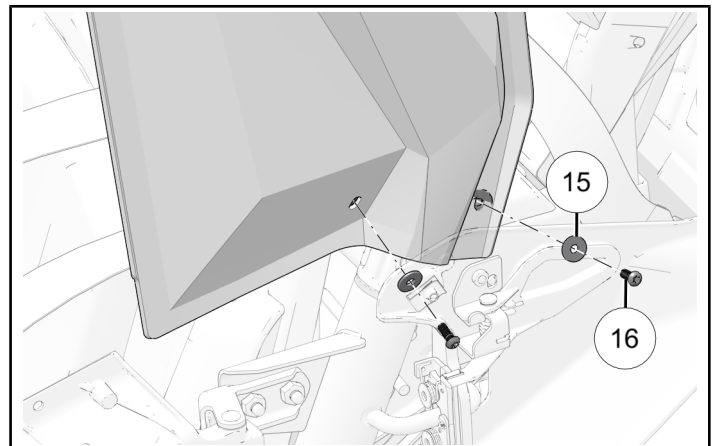
8. Hook shroud C-clip ㉔ onto shroud and align with fastener ⑯. Secure with one nut ㉒.



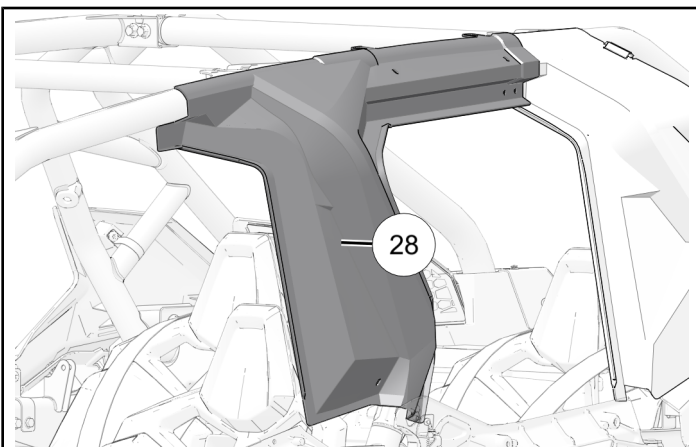
5. Counter-hold nut ㉒ and torque fastener ⑯ to specification.

TORQUE
Shroud Fasteners ⑯: 35 in-lbs (4 N·m)

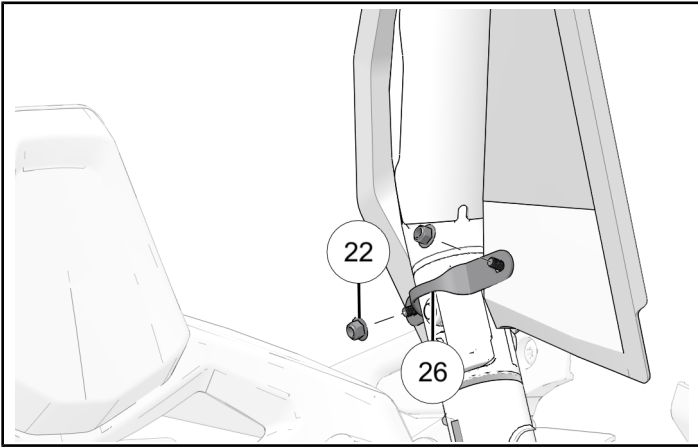
9. Put two fasteners ⑯ through two washers ⑮ and through middle shroud.



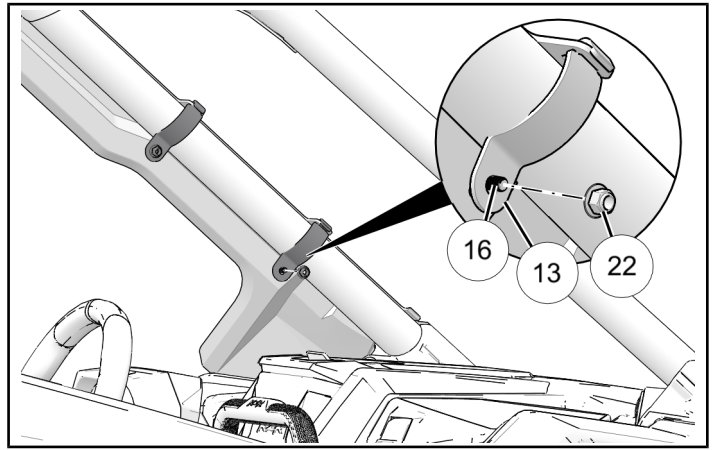
6. Align middle shroud ㉘ with roll-cage and overlap rear shroud..



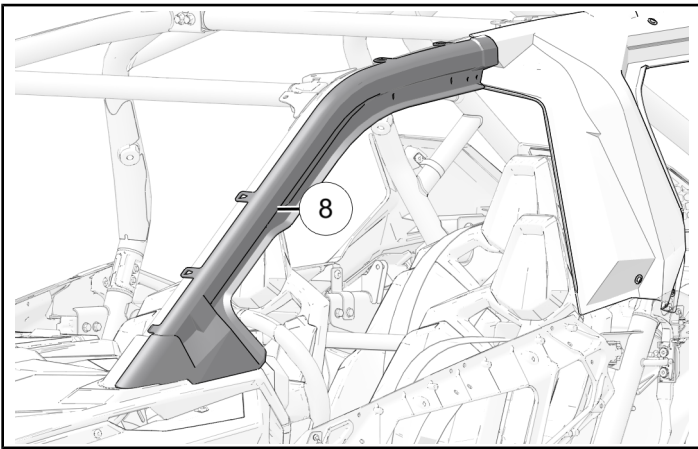
10. Wrap shroud clip 26 around roll-cage tube and align with fasteners. Secure with two nuts 22.



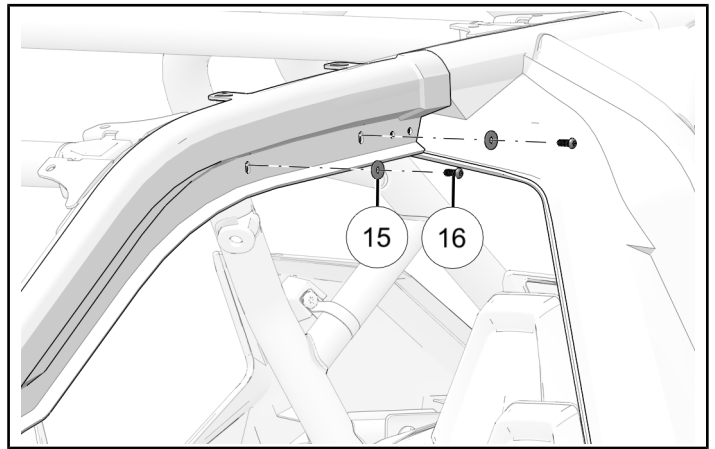
13. Hook shroud clip 13 onto shroud and align with fastener 16. Secure with one nut 22.



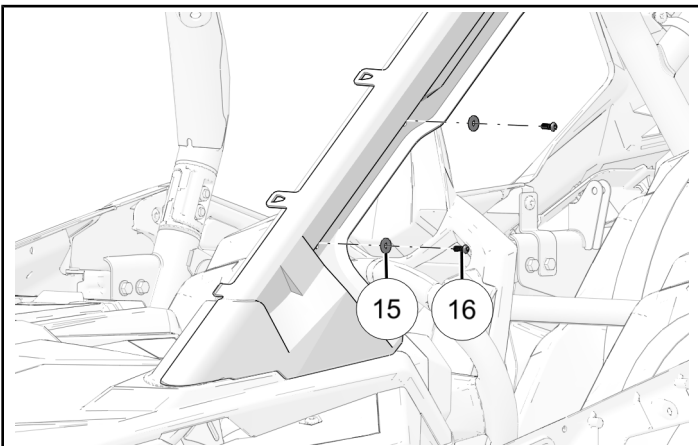
11. Align front shroud 8 with roll-cage and overlap middle shroud.



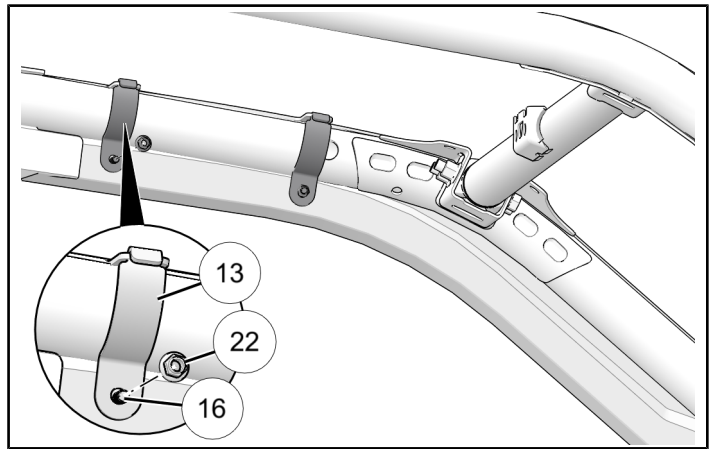
14. Put two fasteners 16 through two washers 15 and through front shroud.



12. Put two fasteners 16 through two washers 15 and through front shroud.

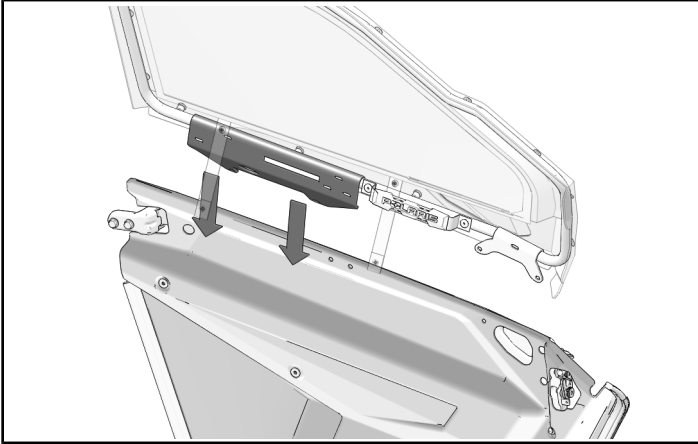


15. Hook shroud clip 13 onto shroud and align with fastener 16. Secure with one nut 22.

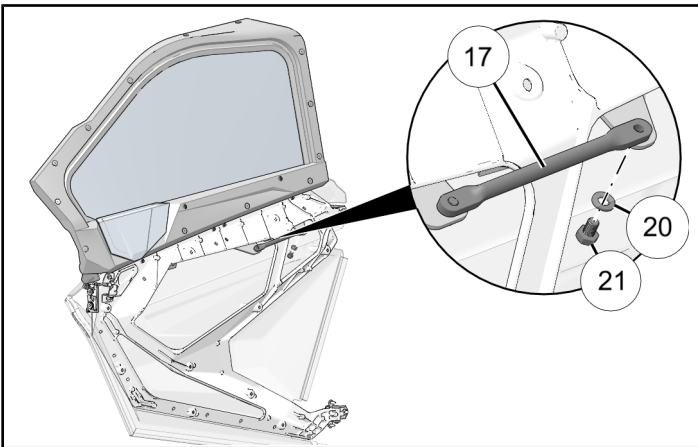


Front Upper Door Installation

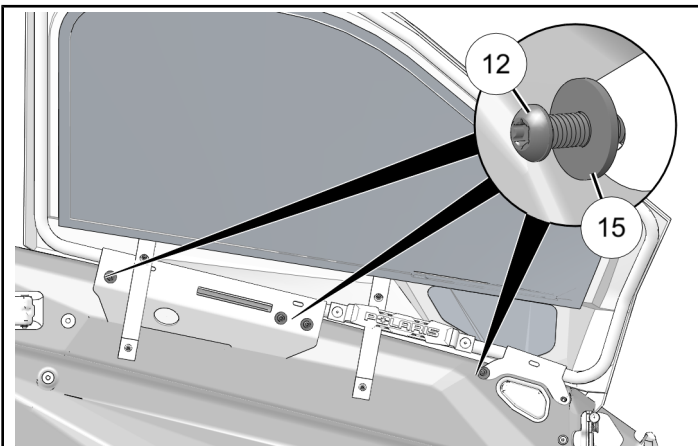
1. Put upper door panel into inner door panel cut-outs.



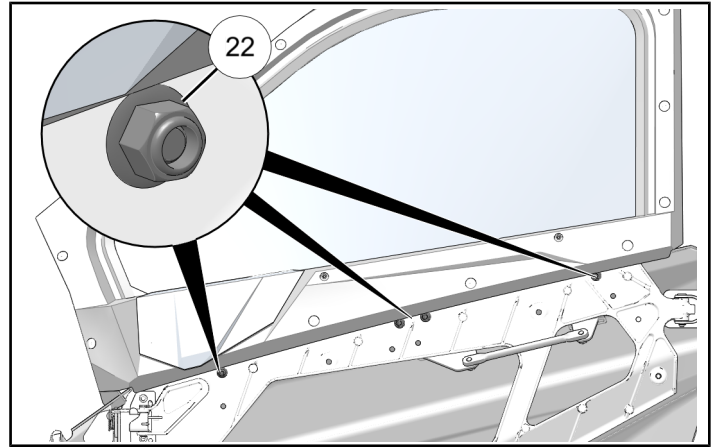
2. Hold door panel upright and install holding bar ⑰ with two fasteners ⑳ and two washers ㉑.



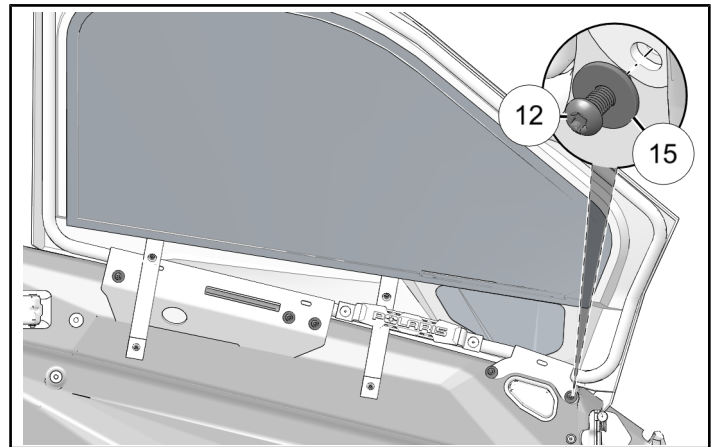
3. Put four door bracket fasteners ⑫ through four washers ⑮, inner door panel, and door frame.



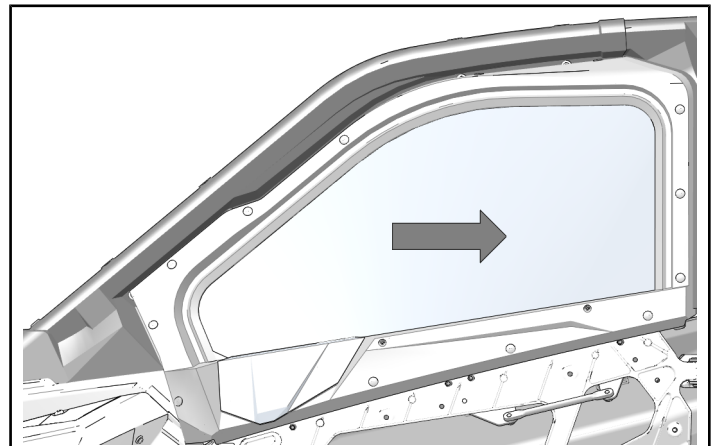
4. Secure door bracket fasteners with four nuts ㉒.



5. Install front-most part of door panel with one fastener ⑫ and one washer ⑮.



6. Move door assembly to most-rearward position, making sure door seals firmly against front and rear shroud.



7. Counter-hold nuts ㉒ (where applicable) and torque five fasteners ⑫ to specification.

TORQUE

Door Bracket Fasteners ⑫:
8 ft-lbs (11 N·m)

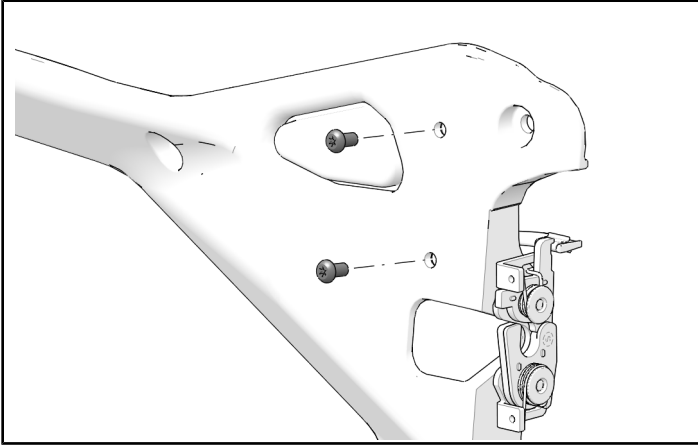
- Torque two holding bar fasteners ⑳ to specification.

TORQUE

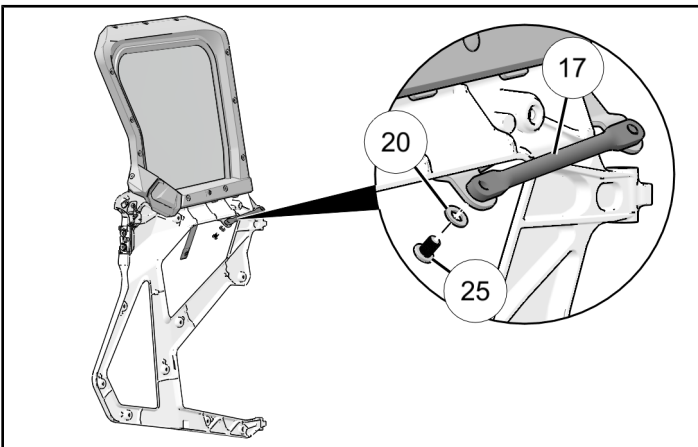
Holding Bar Fasteners ⑳:
13 ft-lbs (18 N·m)

Rear Upper Door Installation

- Remove and discard two door latch fasteners.



- Align rear upper door with rear door frame and secure with holding bar ⑰, two fasteners ㉕, and two washers ㉖.



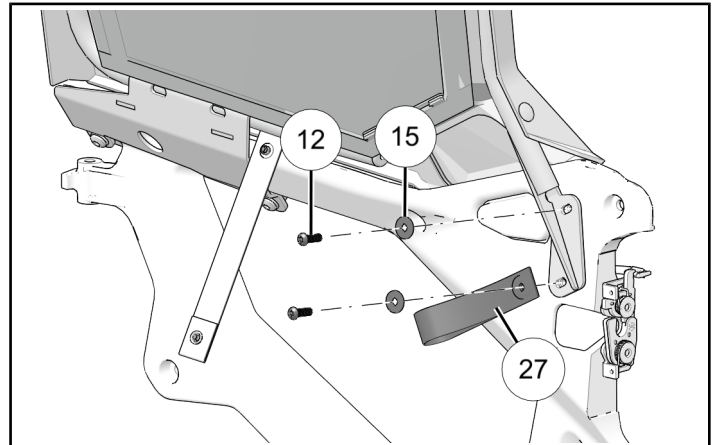
- Install front of rear upper door with two fasteners ⑫ and two washers ⑮. Install rear door handle ㉗ to bottom fastener location.

TIP

Make sure handle ㉗ is angled rearward when installed.

TORQUE

Upper Door Mount Fasteners ⑫:
8 ft-lbs (11 N·m)



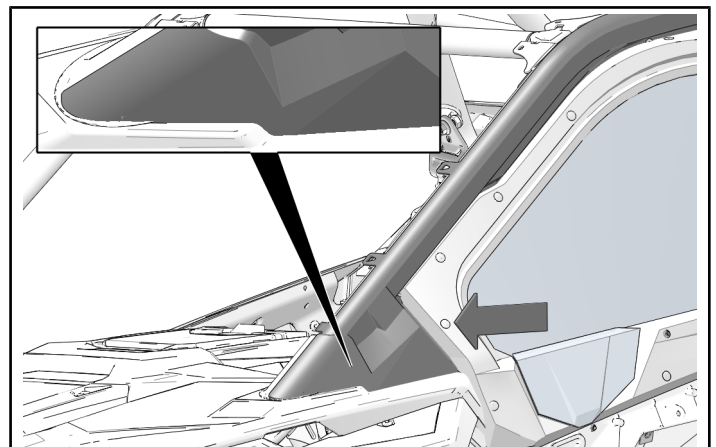
- Torque two holding bar fasteners ⑳ to specification.

TORQUE

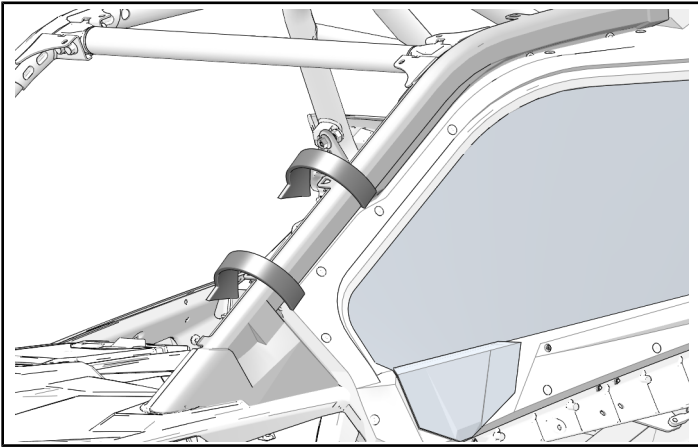
Holding Bar Fasteners ⑳:
13 ft-lbs (18 N·m)

Shroud Adjustment

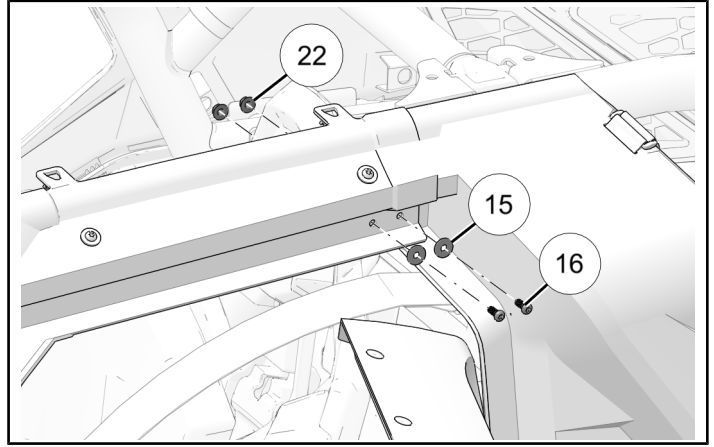
- Make sure front shroud seal is firmly against contours of upper fender and tweeter boot.



2. Front shroud may need to be twisted slightly inward for shroud to seal tightly against vehicle.



2. Install middle shroud to rear shroud with two fasteners ⑯, two washers ⑮, and two nuts ㉓.

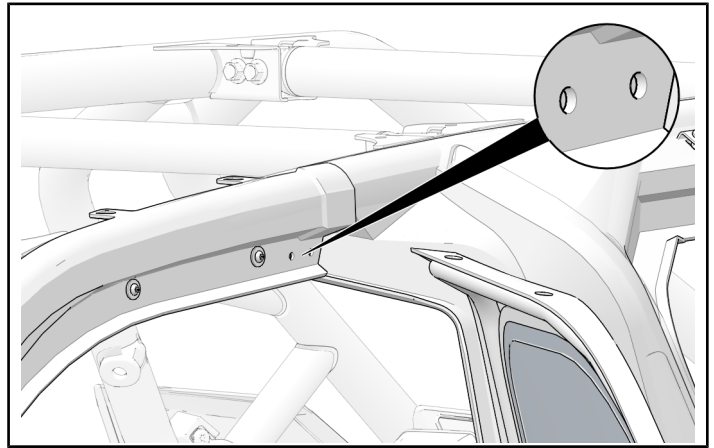


3. Counter-hold nuts ㉓ and torque shroud fasteners ⑯ to specification.

TORQUE

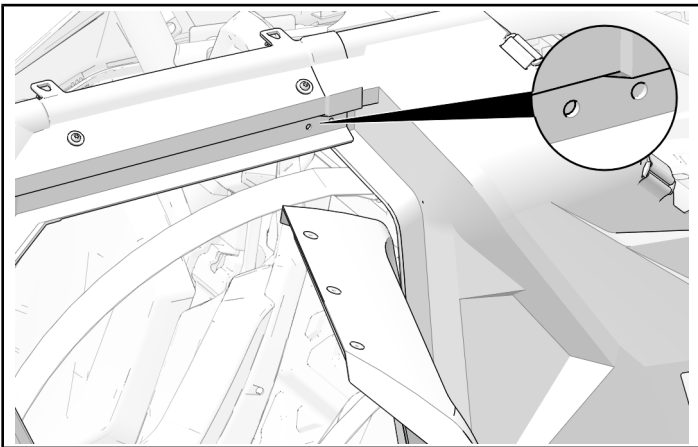
Shroud Fasteners ⑯:
35 in-lbs (4 N·m)

3. Use front shroud as a template to drill two 1/4 in (6.5 mm) holes through middle shroud.

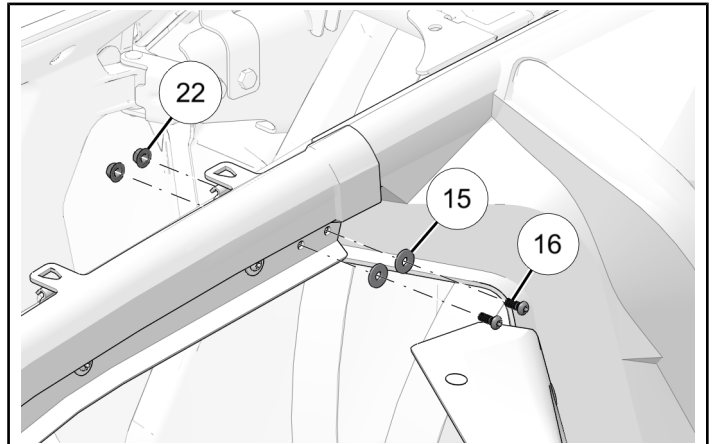


Shroud Installation Continued

1. Use middle shroud as a template to drill two 1/4 in (6.5 mm) holes through rear shroud.



4. Install front shroud to middle shroud with two fasteners ⑯, two washers ⑮, and two nuts ㉓.



5. Counter-hold nuts ㉓ and torque four shroud fasteners ⑯ to specification.

TORQUE

Shroud Fasteners ⑯:
35 in-lbs (4 N·m)

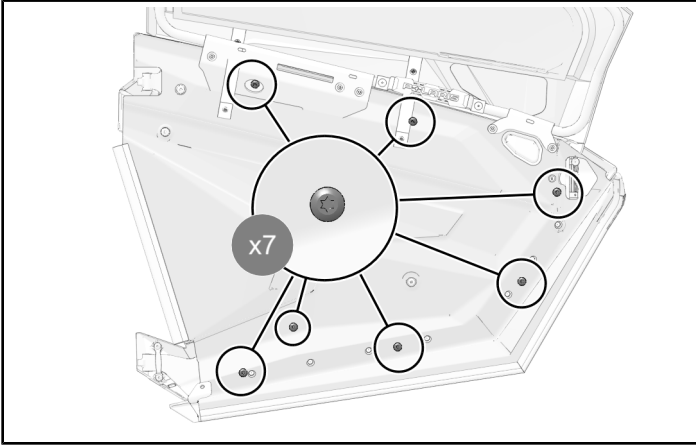
PLASTIC DOOR INSTALLATION

Front Door Installation

1. Align door panel with door frame.
2. From inside of door, install door panel with seven door panel fasteners.

TORQUE

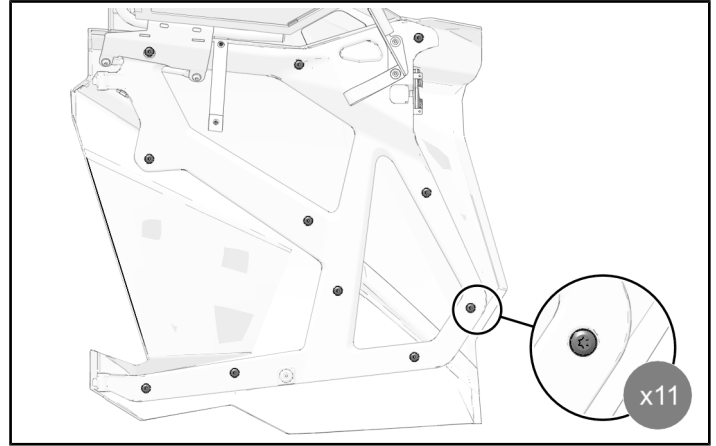
Door Panel Fasteners:
35 in-lbs (4 N·m)



2. From inside of door, install plastic door panel with eleven door panel fasteners. Torque door fasteners to specification.

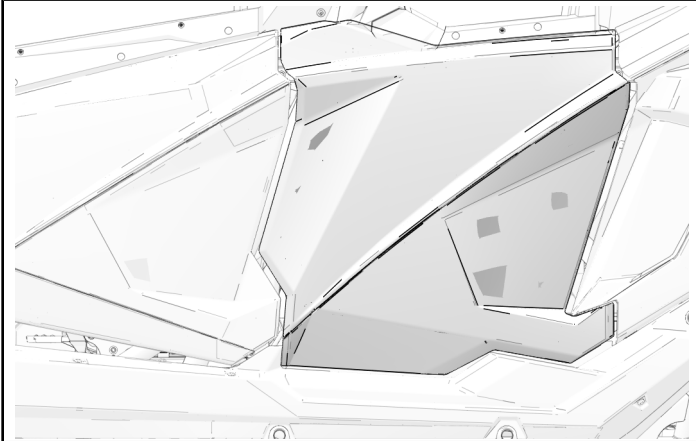
TORQUE

Door Panel Fasteners:
35 in-lbs (4 N·m)



Rear Door Installation

1. Align door panel with rear door frame.



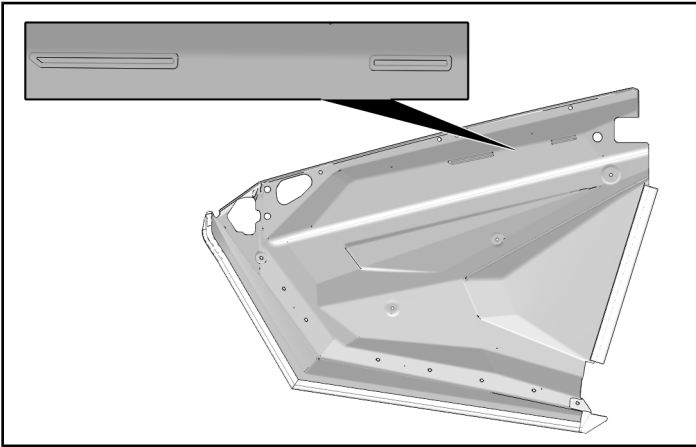
ALUMINUM DOOR + INNER DOOR + UPPER DOOR INSTALLATION

NOTICE

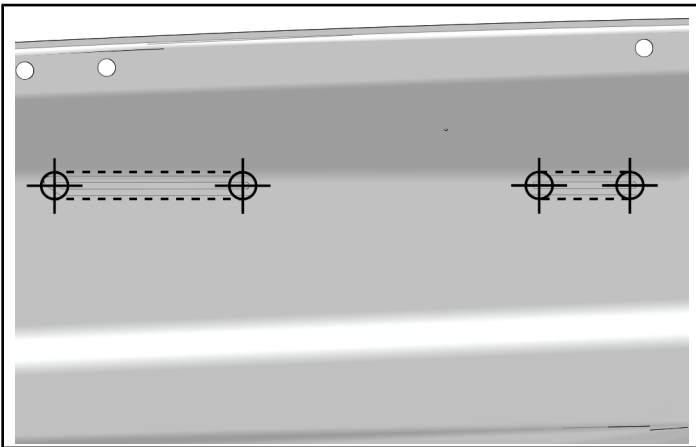
Left door shown; right door similar.

PREPARE INNER DOOR FOR UPPER DOOR

1. Identify embossed lines on inner door panel.



2. Drill one **1/4 in (6.5 mm)** hole at each end of rectangular embossed lines. Cut remaining plastic, between drilled holes, with utility knife or equivalent.



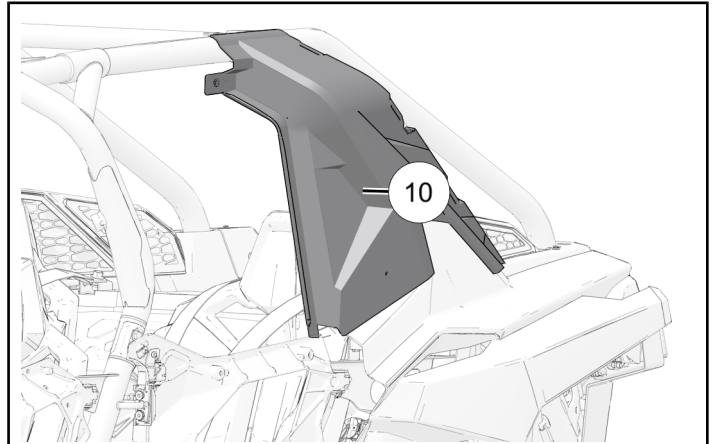
INNER DOOR INSTALLATION

Refer to *Inner Door Kit* installation instructions.

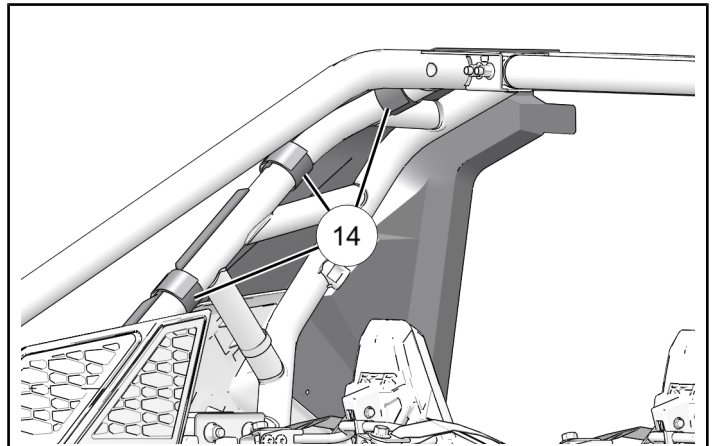
UPPER DOOR INSTALLATION

Shroud Installation

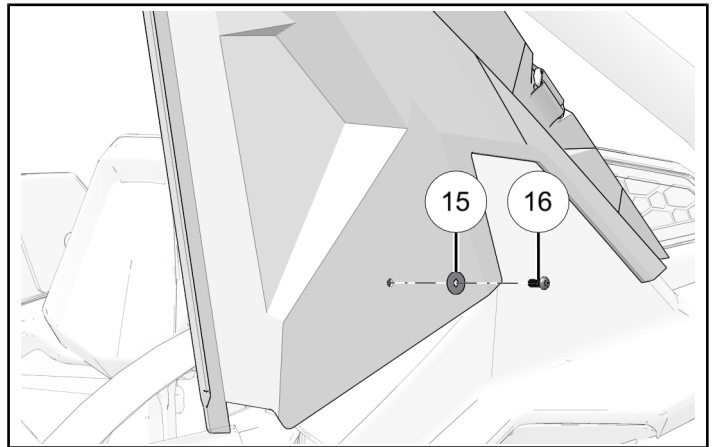
1. Align rear shroud ⑩ with roll-cage.



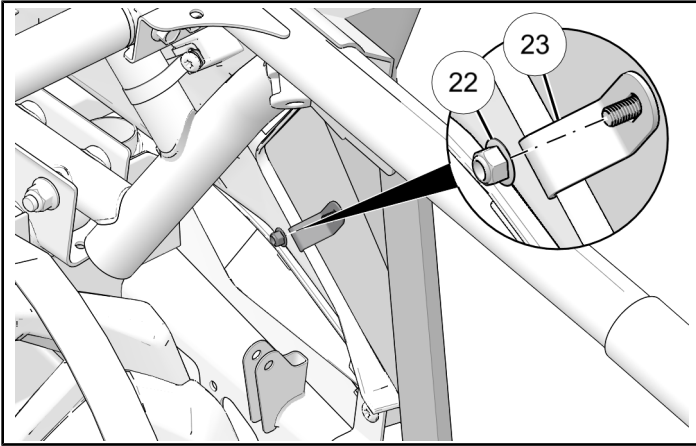
2. Attach rear shroud to roll cage with three hook-and-loops straps ⑭.



3. Put one fastener ⑯ through one washer ⑮ and rear shroud.



4. Hook Z-clip ②③ onto rear body plastic and align with previously installed fastener. Secure with one nut ②②.

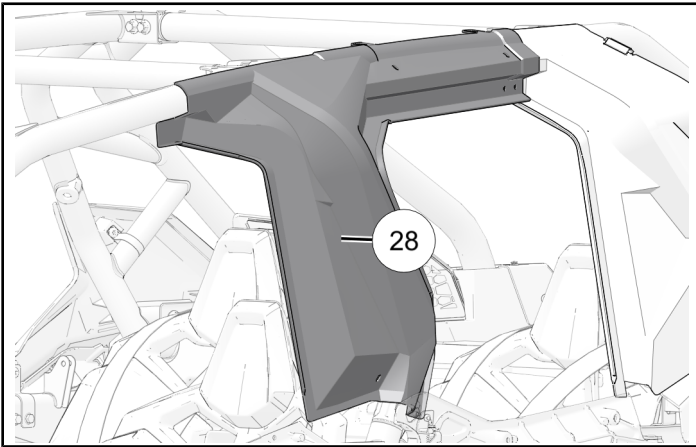


5. Counter-hold nut ②② and torque fastener ①⑥ to specification.

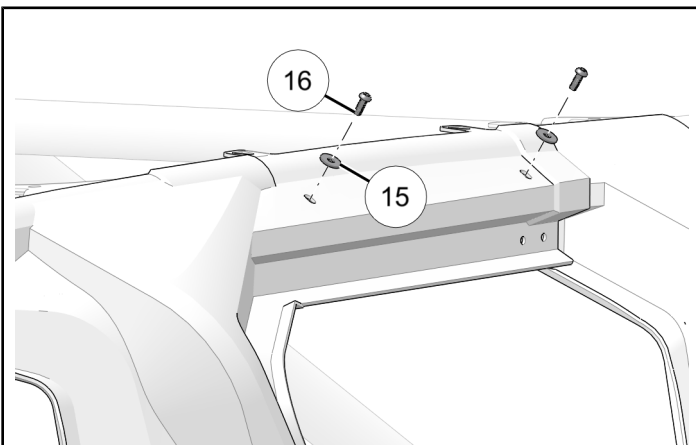
TORQUE

Shroud Fasteners ①⑥:
35 in-lbs (4 N·m)

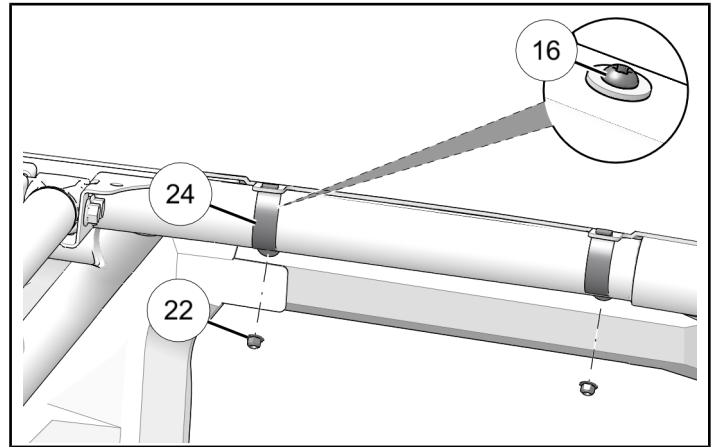
6. Align middle shroud ②⑧ with roll-cage and overlap rear shroud..



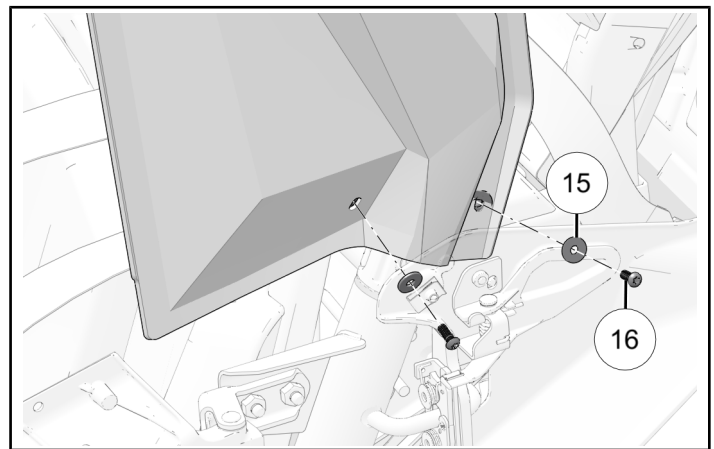
7. Put two fasteners ①⑥ through two washers ①⑤ and through middle shroud.



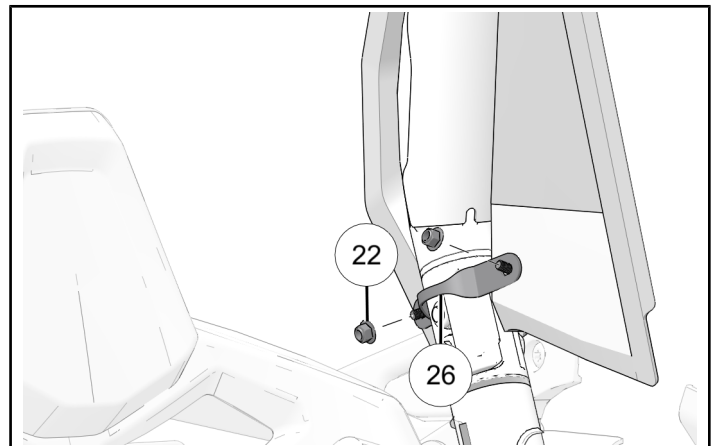
8. Hook shroud C-clip ②④ onto shroud and align with fastener ①⑥. Secure with one nut ②②.



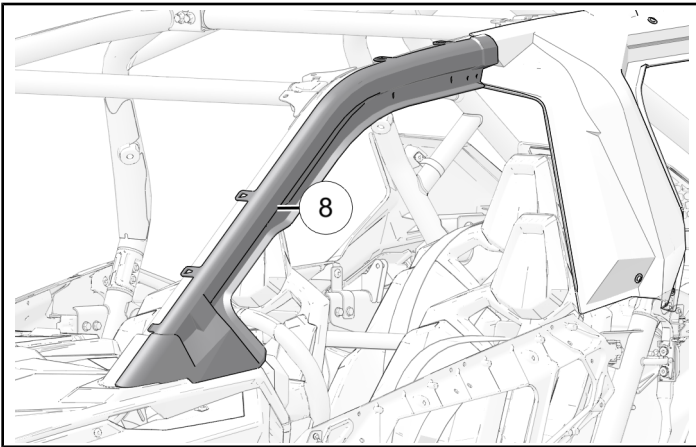
9. Put two fasteners ①⑥ through two washers ①⑤ and through middle shroud.



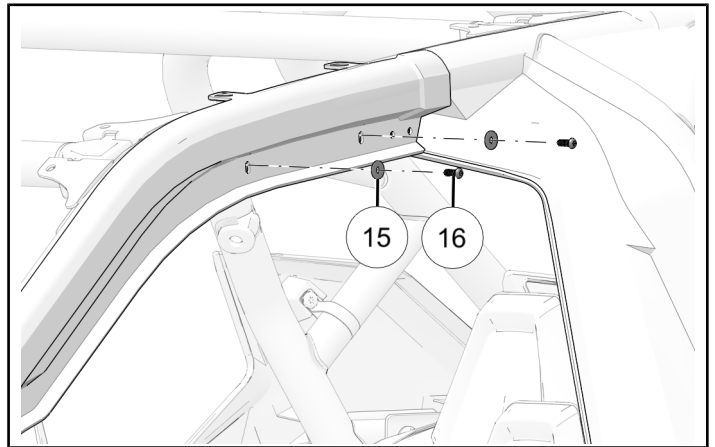
10. Wrap shroud clip ②⑥ around roll-cage tube and align with fasteners. Secure with two nuts ②②.



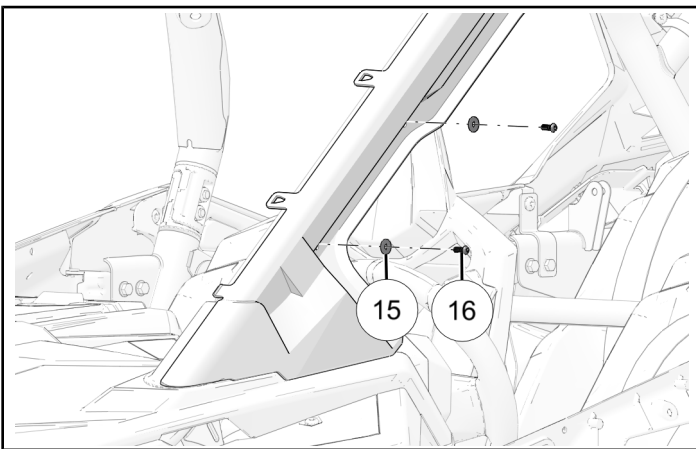
11. Align front shroud ⑧ with roll-cage and overlap middle shroud.



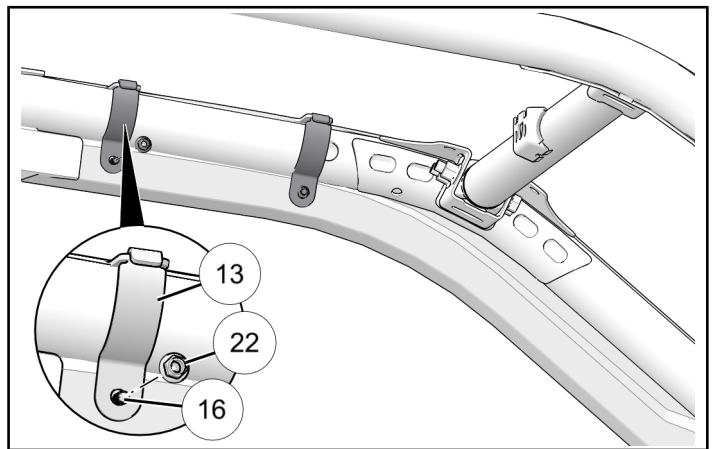
14. Put two fasteners ⑩ through two washers ⑮ and through front shroud.



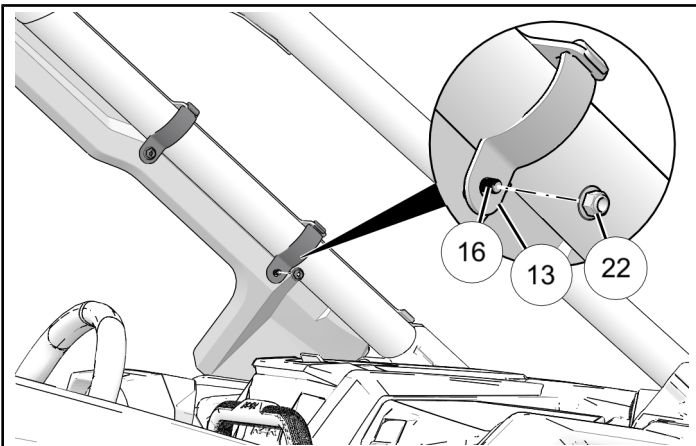
12. Put two fasteners ⑩ through two washers ⑮ and through front shroud.



15. Hook shroud clip ⑬ onto shroud and align with fastener ⑩. Secure with one nut ⑰.

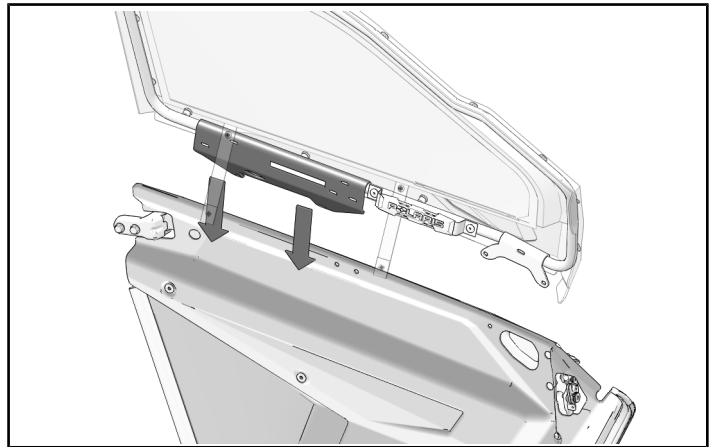


13. Hook shroud clip ⑬ onto shroud and align with fastener ⑩. Secure with one nut ⑰.

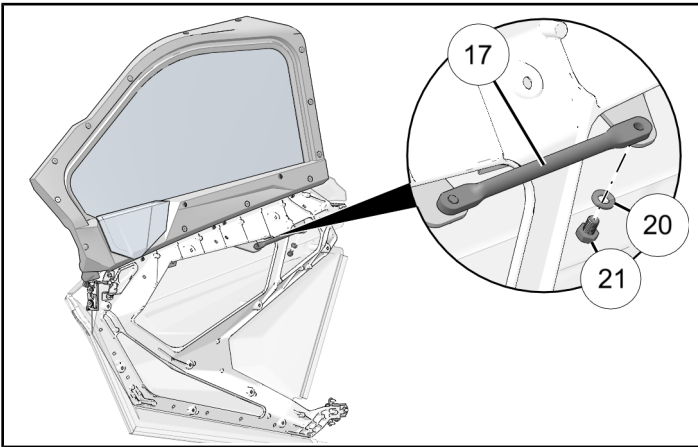


Front Upper Door Installation

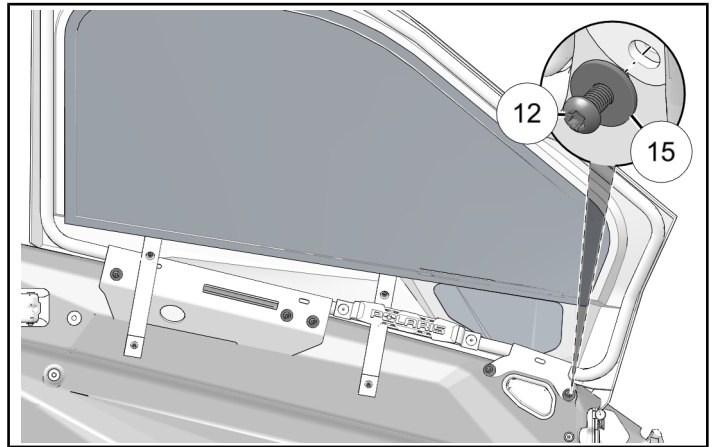
1. Put upper door panel into inner door panel cut-outs.



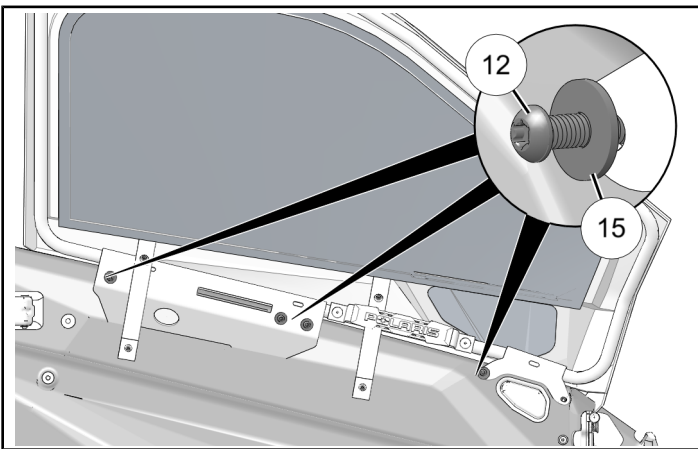
2. Hold door panel upright and install holding bar ⑰ with two fasteners ⑳ and two washers ㉑.



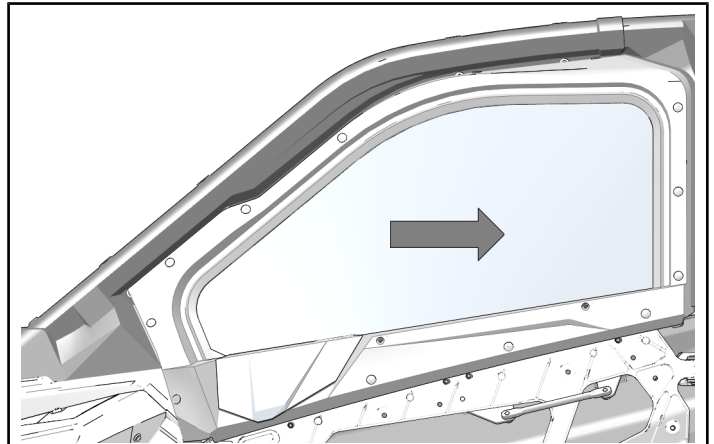
5. Install front-most part of door panel with one fastener ⑫ and one washer ⑮.



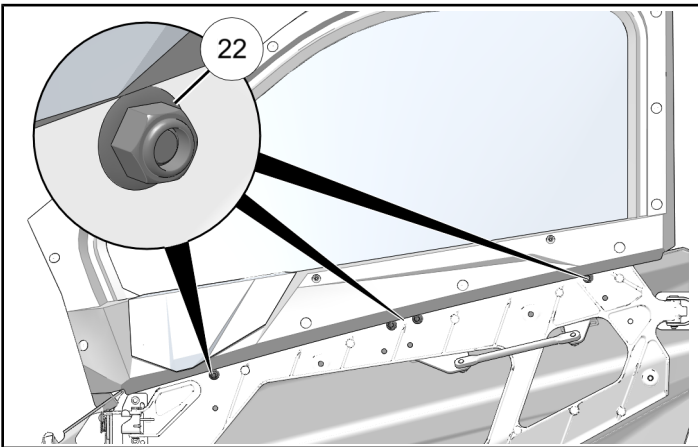
3. Put four door bracket fasteners ⑫ through four washers ⑮, inner door panel, and door frame.



6. Move door assembly to most-rearward position, making sure door seals firmly against front and rear shroud.



4. Secure door bracket fasteners with four nuts ㉒.



7. Counter-hold nuts ㉒ (where applicable) and torque five fasteners ⑫ to specification.

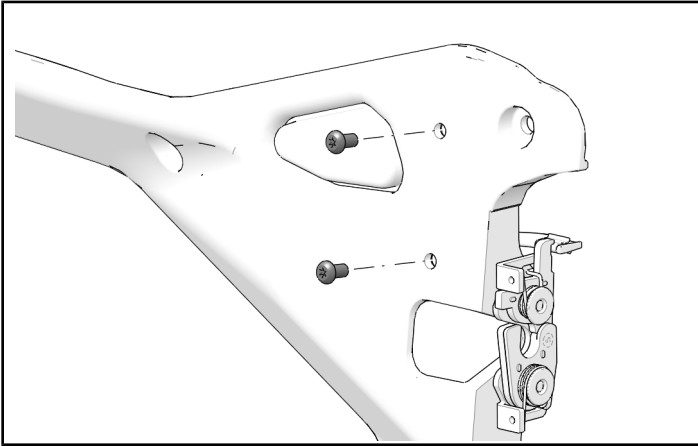
TORQUE
Door Bracket Fasteners ⑫: 8 ft-lbs (11 N·m)

8. Torque two holding bar fasteners ㉑ to specification.

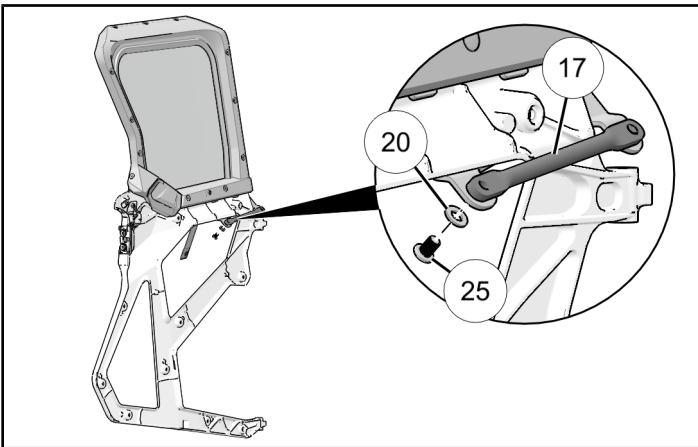
TORQUE
Holding Bar Fasteners ㉑: 13 ft-lbs (18 N·m)

Rear Upper Door Installation

1. Remove and discard two door latch fasteners.



2. Align rear upper door with rear door frame and secure with holding bar (17), two fasteners (25), and two washers (20).



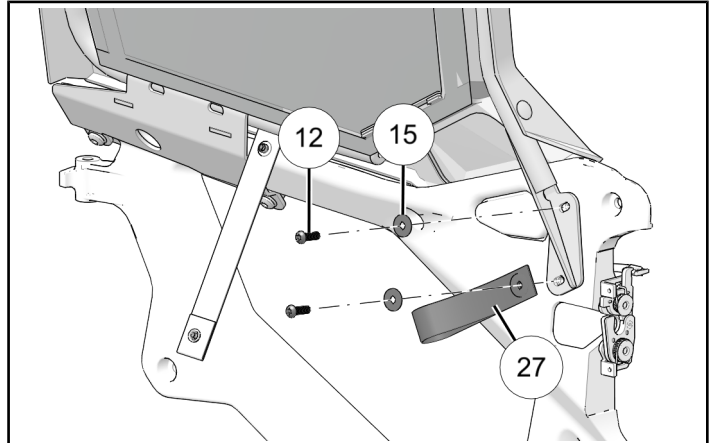
3. Install front of rear upper door with two fasteners (12) and two washers (15). Install rear door handle (27) to bottom fastener location.

TIP

Make sure handle (27) is angled rearward when installed.

TORQUE

Upper Door Mount Fasteners (12):
8 ft-lbs (11 N·m)



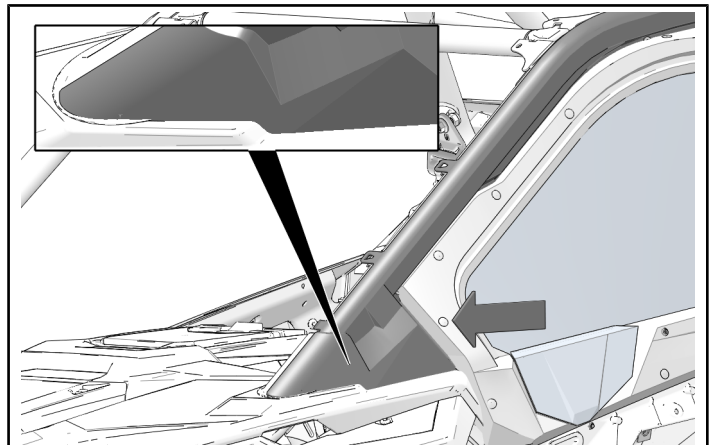
4. Torque two holding bar fasteners (21) to specification.

TORQUE

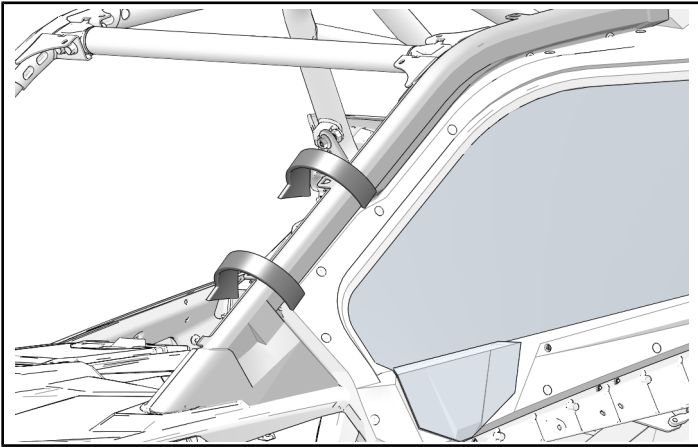
Holding Bar Fasteners (21):
13 ft-lbs (18 N·m)

Shroud Adjustment

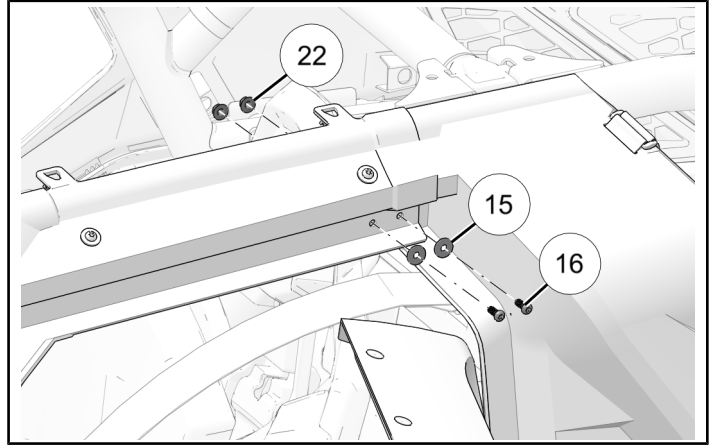
1. Make sure front shroud seal is firmly against contours of upper fender and tweeter boot.



2. Front shroud may need to be twisted slightly inward for shroud to seal tightly against vehicle.



2. Install middle shroud to rear shroud with two fasteners ⑯, two washers ⑮, and two nuts ㉓.

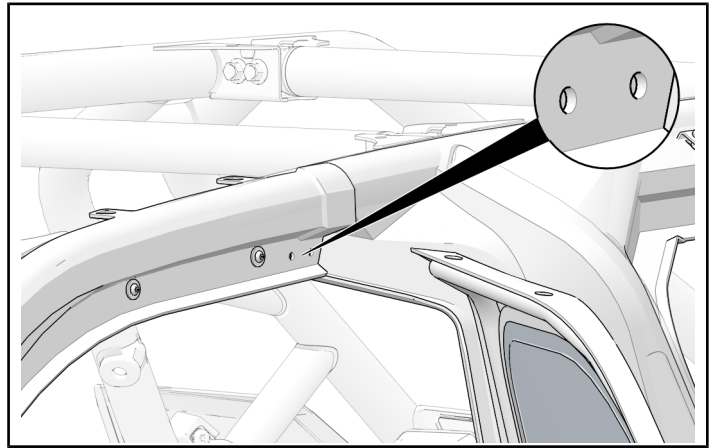


3. Counter-hold nuts ㉓ and torque shroud fasteners ⑯ to specification.

3. Use front shroud as a template to drill two 1/4 in (6.5 mm) holes through middle shroud.

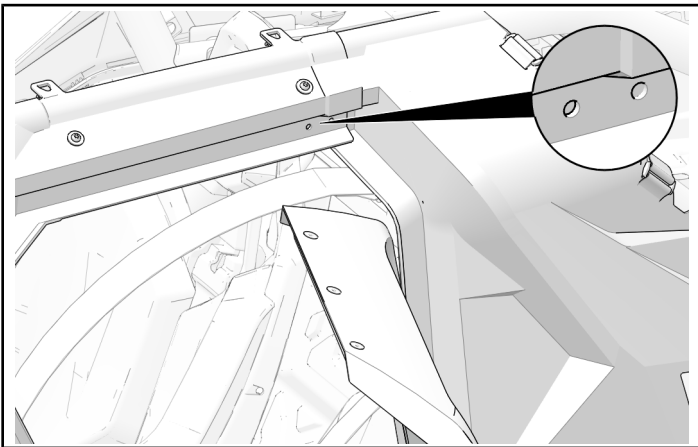
TORQUE

Shroud Fasteners ⑯:
35 in-lbs (4 N·m)

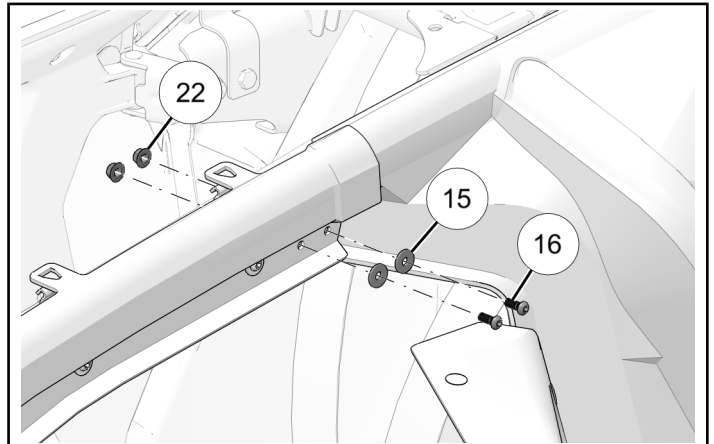


Shroud Installation Continued

1. Use middle shroud as a template to drill two 1/4 in (6.5 mm) holes through rear shroud.



4. Install front shroud to middle shroud with two fasteners ⑯, two washers ⑮, and two nuts ㉓.



5. Counter-hold nuts ㉓ and torque four shroud fasteners ⑯ to specification.

TORQUE

Shroud Fasteners ⑯:
35 in-lbs (4 N·m)

ALUMINUM DOOR INSTALLATION

Refer to *Inner Door Kit* and *Aluminum Door Kit* installation instructions.

INSTRUCTION FEEDBACK FORM

A feedback form has been created for the installer to provide any comments, questions or concerns about the installation instructions. The form is viewable on mobile devices by scanning the QR code or by clicking [HERE](#) if viewing on a PC.

