

# OVERHEAD BAG KIT

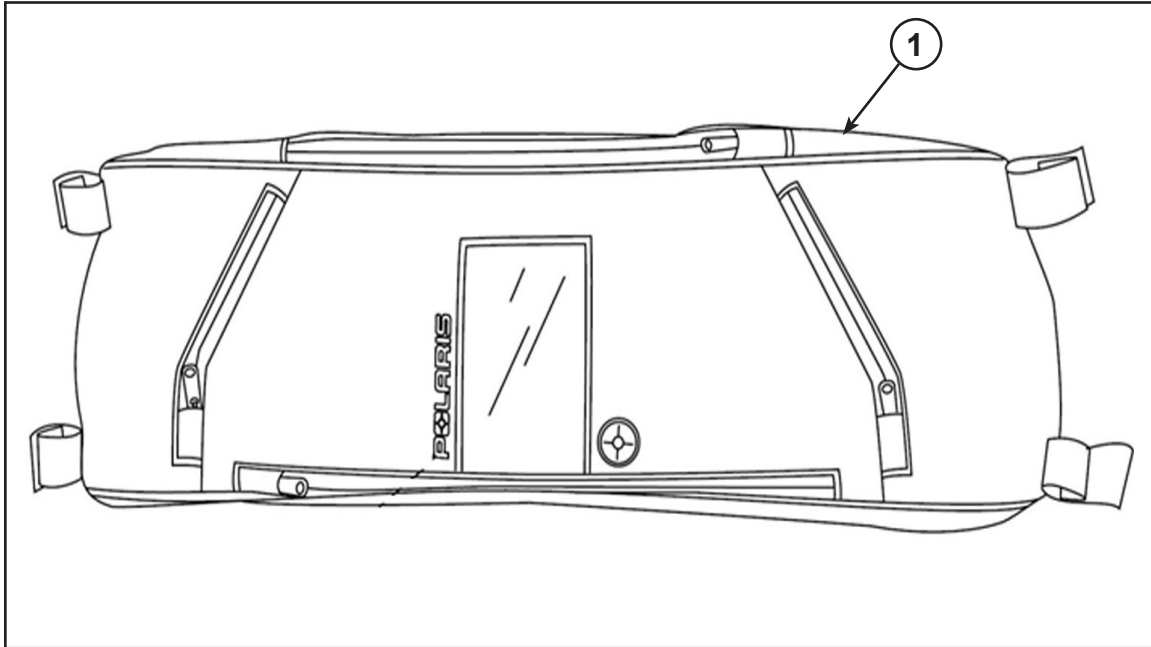
P/N 2879516



## Application

RZR XP 1000

Before you begin, read these instructions twice and check to be sure all parts and tools are accounted for. Please retain these installation instructions for future reference and parts ordering information.



## Kit Contents:

<u>Ref</u>	<u>Qty</u>	<u>Part Description</u>	<u>Part Number</u>
1	1	Overhead Bag	2635196
	1	Instructions	9924778

**APPROXIMATE ASSEMBLY TIME:** 5 minutes

**IMPORTANT:** Your Polaris RZR XP 1000 OVERHEAD BAG KIT is exclusively designed for your vehicle. Please read the installation instructions thoroughly before beginning. Installation is easier if the vehicle is clean and free of debris. For your safety and to ensure a satisfactory installation, perform all installation steps correctly in the sequence shown.

## INSTALLATION INSTRUCTIONS:

1. Place the vehicle in "PARK". Turn the key to the "OFF" position and remove from the vehicle.
2. Install the overhead bag (PN 2635196) on top of the vehicle using straps at four specified locations. Figure 1.

