

FASCIA LIGHTBAR KIT



P/N 2883948

APPLICATION

Verify accessory fitment at [Polaris.com](https://www.polaris.com).

IMPORTANT

Fascia Lightbar Kit is not compatible with vehicles equipped with a winch.

BEFORE YOU BEGIN

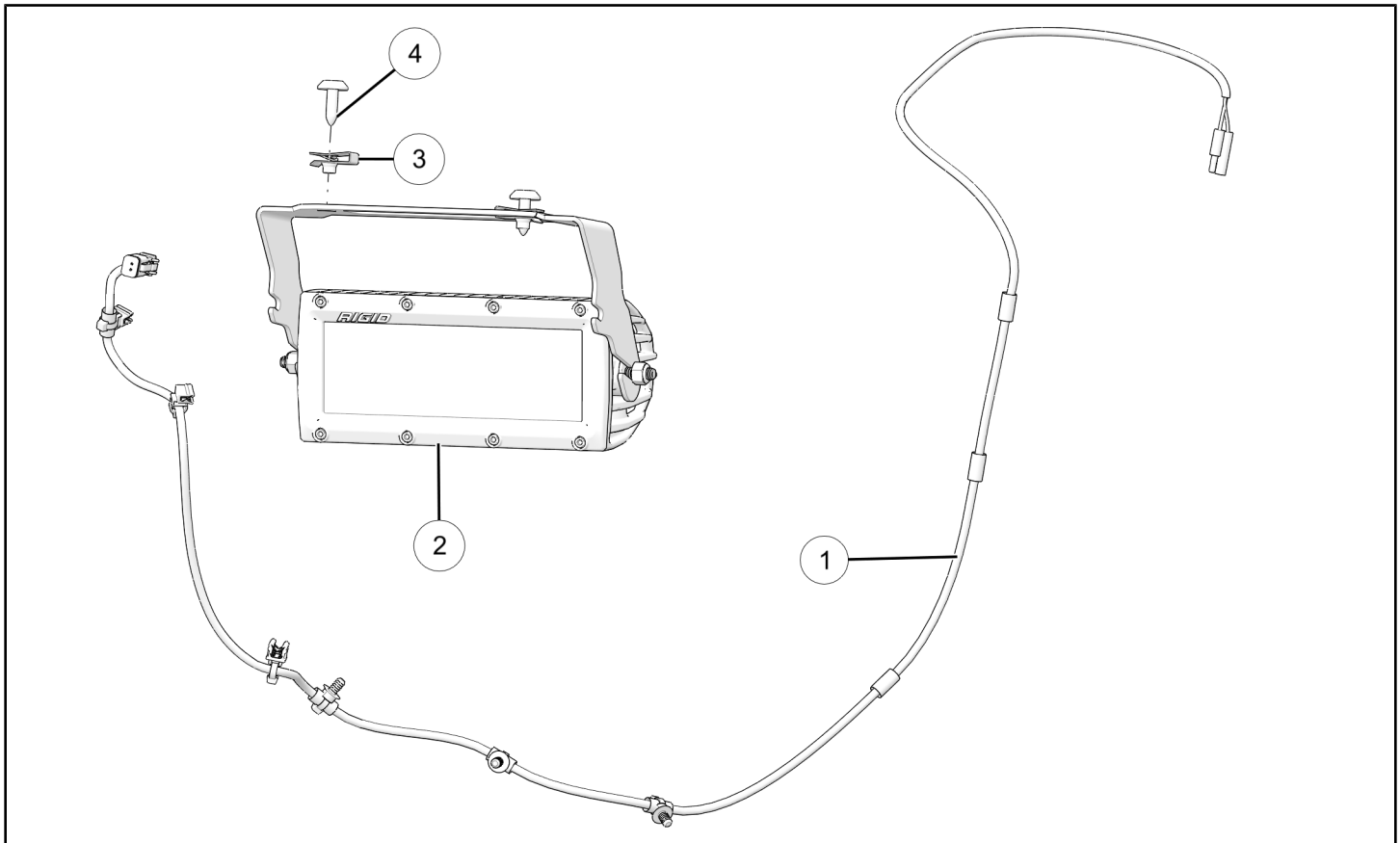
Read these instructions and check to be sure all parts and tools are accounted for. Please retain these installation instructions for future reference and parts ordering information.

REQUIRED SOLD SEPARATELY

Only parts for installation of the Fascia Lightbar Kit are included. For complete installation, the following additional kit is required (sold separately):

- *Lightbar Harness Kit*, P/N 2883949

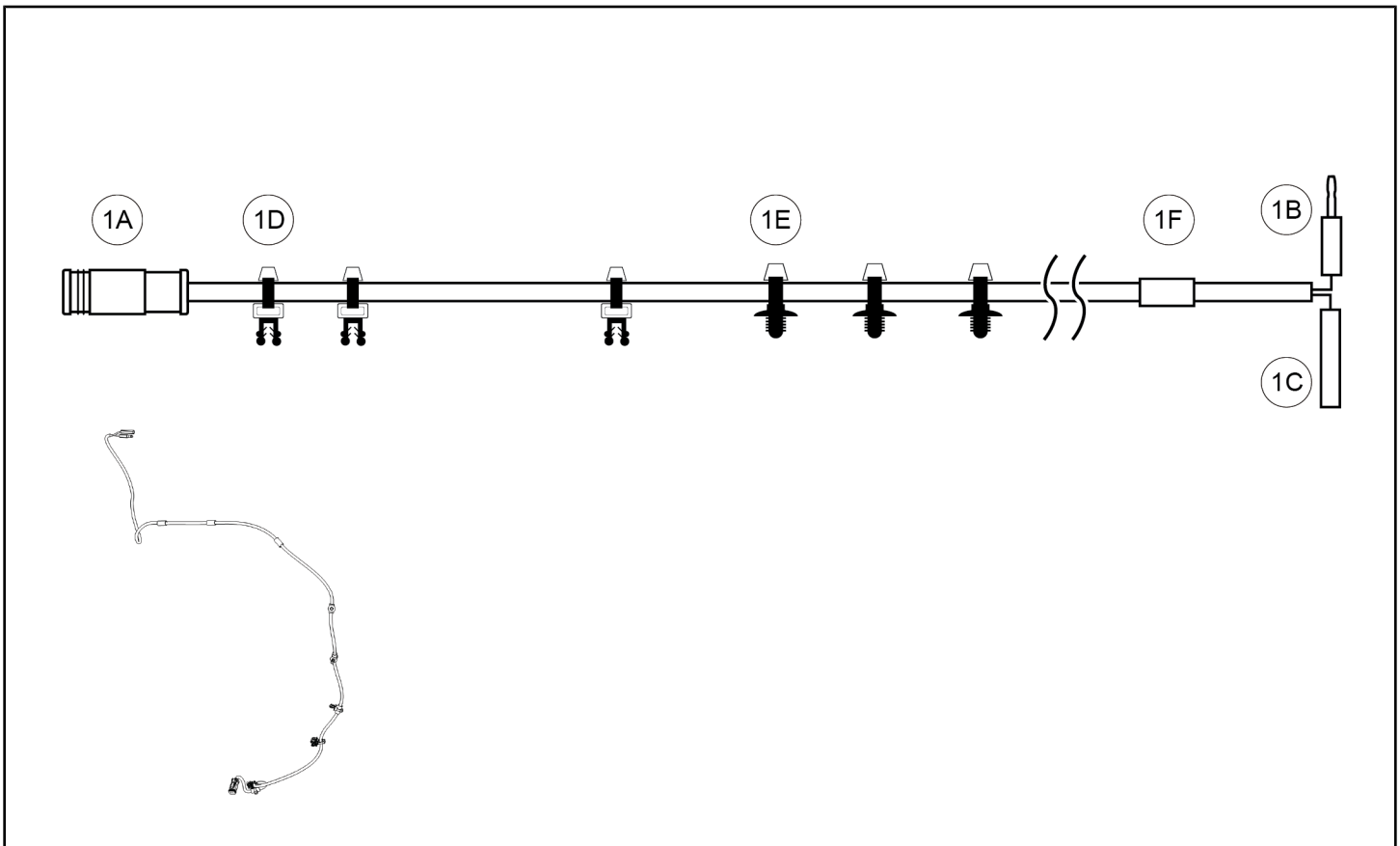
KIT CONTENTS



REF	QTY	PART DESCRIPTION	P/N AVAILABLE SEPARATELY
1	1	Harness–Lightbar, Fascia	2414733
2	1	Assembly–Lightbar, 6 in., Fascia	n/a
3	2	Clip–U, Speed Nut	7081305
4	2	Screw–Torx® Truss Head, M6 x 1.0 x 20	7519112
5	3	Cable Tie (not shown)	7080138
	1	Instructions	9929438

HARNESS DETAIL

HARNESS–LIGHTBAR, FASCIA



NOTE

Harness detail graphic is compressed to emphasis annotated detail.

REF	PART DESCRIPTION	PIN QTY/ GENDER	CONNECTS TO
1A	Connector, Lightbar, Fascia	2 Female	Lightbar, Fascia
1B	Connector, Bullet, Power	1 Male	<i>Lightbar Harness Kit P/N 2883949</i>
1C	Connector, Bullet, Ground	1 Female	<i>Lightbar Harness Kit P/N 2883949</i>

REF	PART DESCRIPTION	PIN QTY/ GENDER	CONNECTS TO
1D	Clip, Routing	-	Vehicle structure
1E	Clip, Edge (Routing)	-	Vehicle structure
1F	Tape, White (3 locations)	-	Identifies installation location for cable tie ⑤

TOOLS REQUIRED

- Safety Glasses
- Screwdriver Set, Torx®
- Socket Set, Metric
- Socket Set, Torx® Bit
- Torque Wrench
- Wrench Set, Metric

IMPORTANT

Your Fascia Lightbar Kit is exclusively designed for your vehicle. Please read the installation instructions thoroughly before beginning. Installation is easier if the vehicle is clean and free of debris. For your safety, and to ensure a satisfactory installation, perform all installation steps correctly in the sequence shown.

INSTALLATION INSTRUCTIONS

NOTE

Fascia Lightbar Kit P/N 2883948 requires simultaneous or previous installation of Lightbar Harness Kit P/N 2883949.

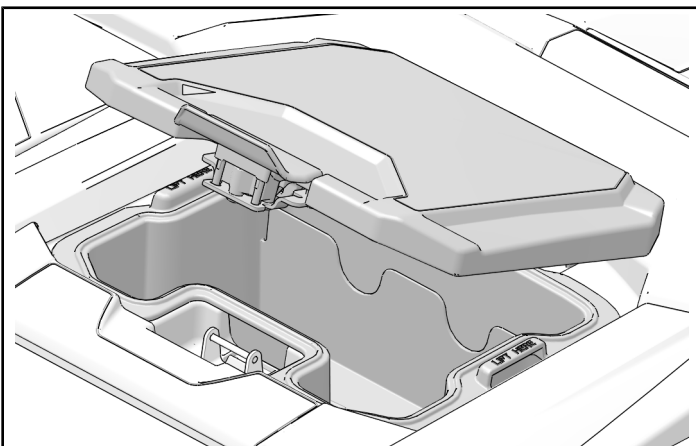
VEHICLE PREPARATION

GENERAL

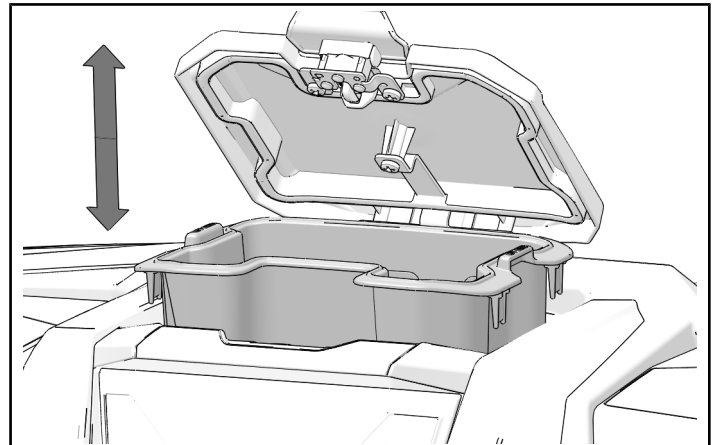
1. Shift vehicle transmission into PARK. Turn key to OFF position and remove from vehicle.

CENTER DASHBOARD STORAGE REMOVAL

1. Open center dashboard storage compartment.

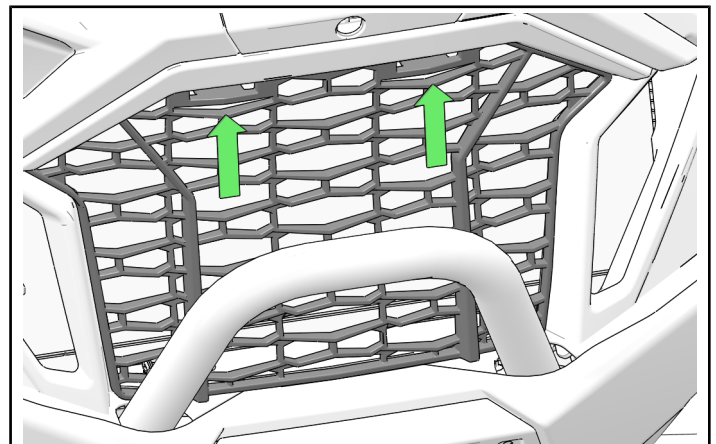


2. Remove storage compartment from dashboard.

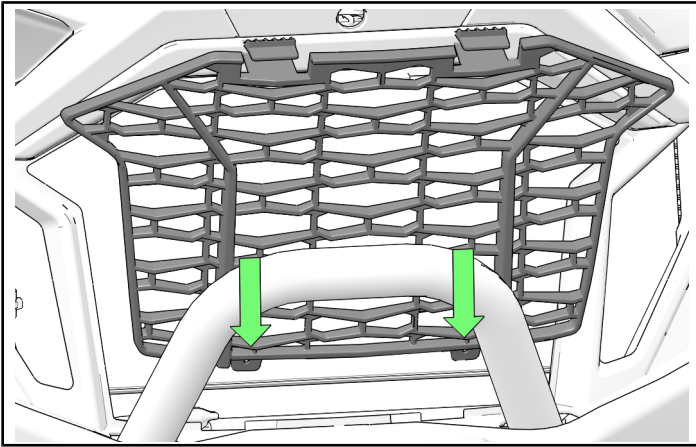


GRILLE REMOVAL

1. Pull down on two tabs, located on top-edge of grille.

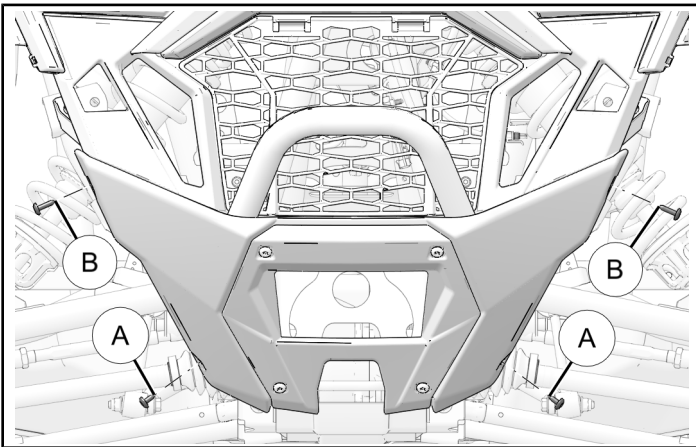


2. Tip grille forward and pull out until bottom tabs are clear of front fascia and bull bumper.

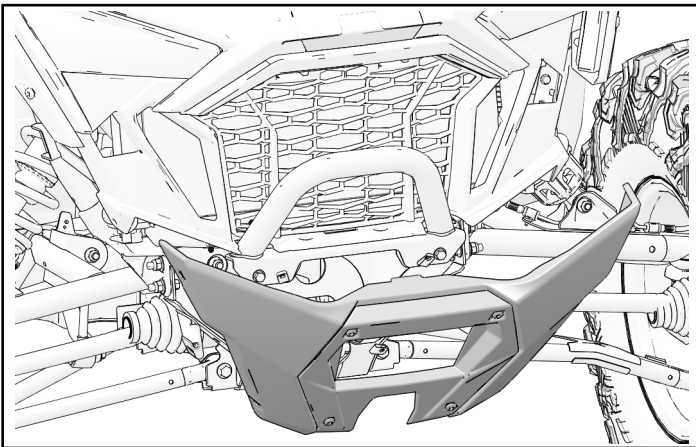


BUMPER FASCIA REMOVAL

1. Remove and retain one screw (A) and one screw (B) from each side of bumper fascia.

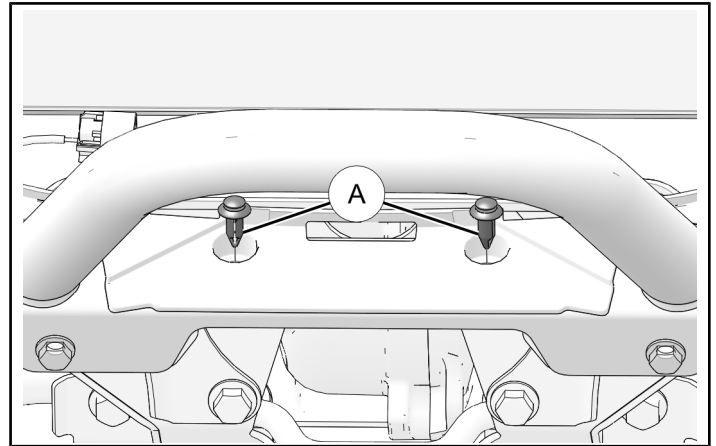


2. Remove bumper fascia from vehicle and carefully set aside.

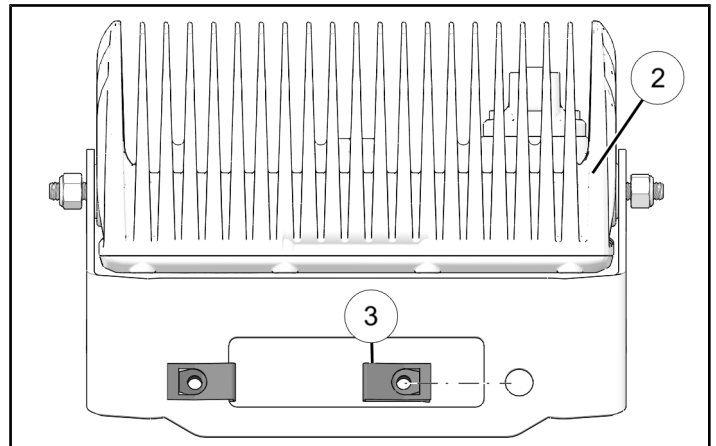


ACCESSORY INSTALLATION

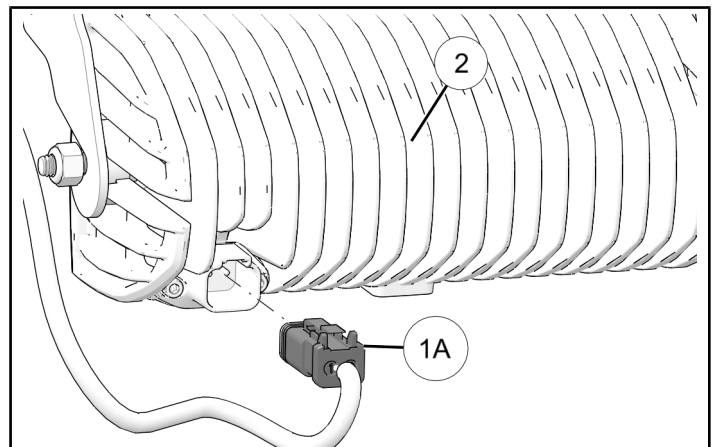
1. Remove and discard two push-pin rivets (A) from front fascia.



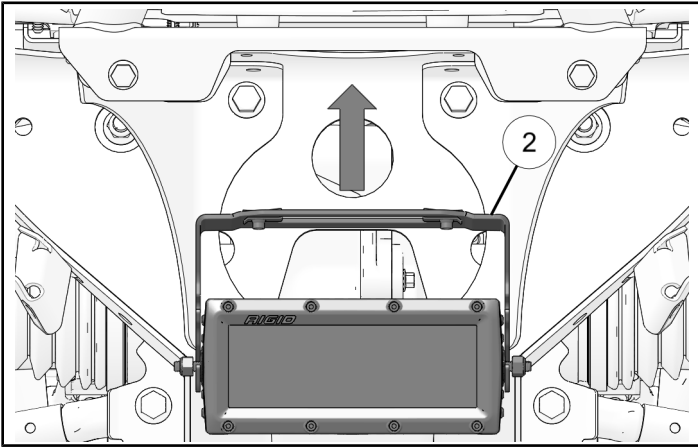
2. Install two U-clips (3) onto lightbar assembly (2) mounting locations.



3. Connect lightbar harness connector 1A to lightbar assembly (2).



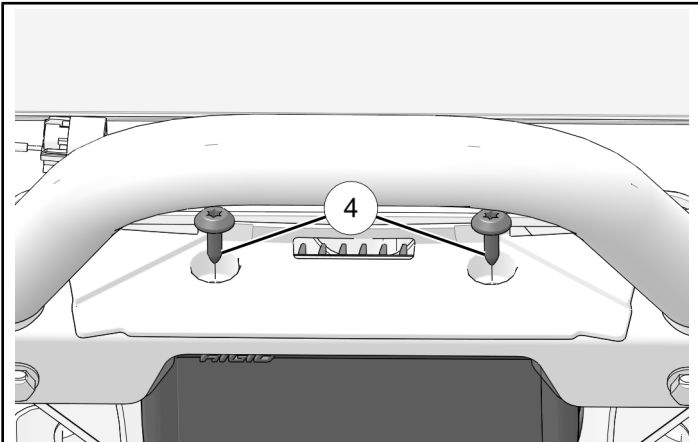
- Align light bar assembly ② with underside of bumper assembly.



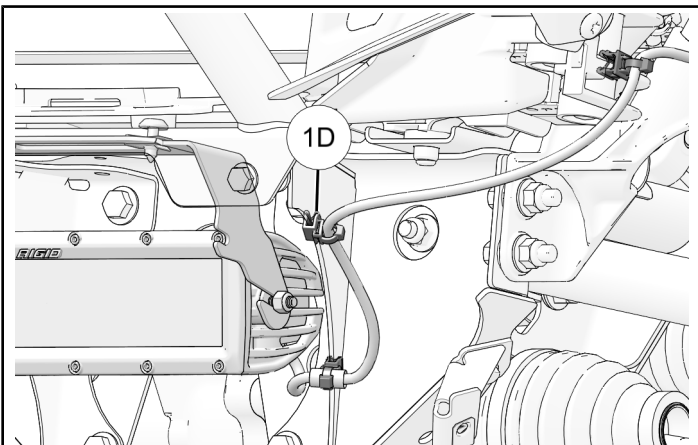
- Install fascia lightbar to bumper assembly with two fasteners ④, passing through fascia, bumper, and into lightbar mounting bracket.

TORQUE

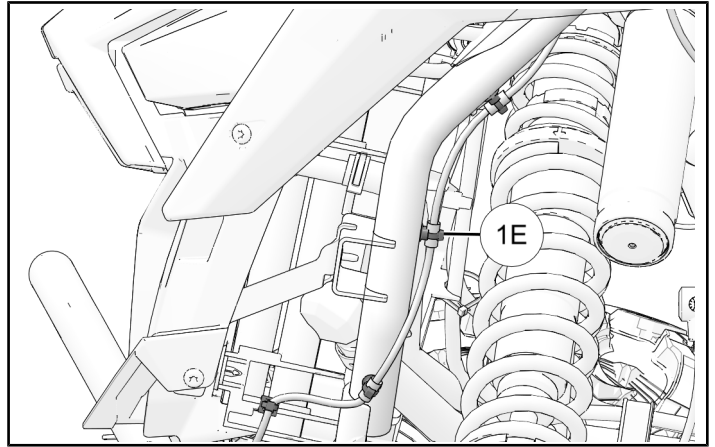
Lightbar Fasteners ④:
7.5 ft-lbs (10 N·m)



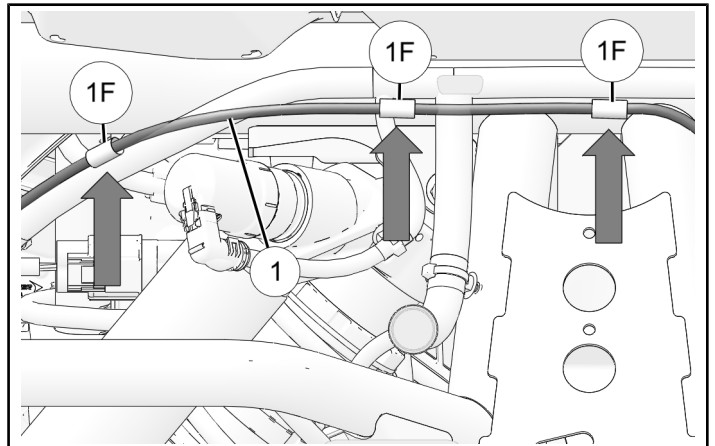
- Route lightbar harness along vehicle structure with three edge clips 1D, as shown. Place two along left bumper bracket. Place one on radiator assembly.



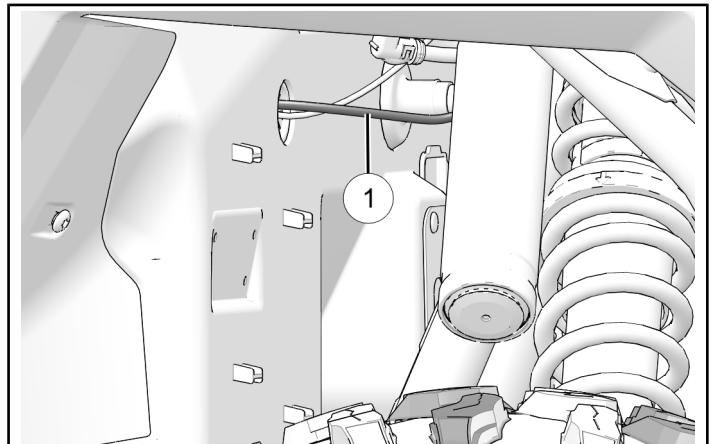
- Continue routing lightbar harness along vehicle chassis with three push-pin clips 1E, as shown.



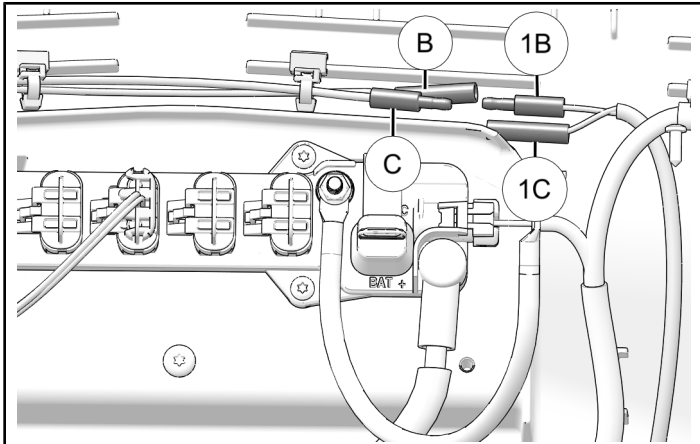
- Route lightbar harness ① to right side of vehicle. Secure to chassis electrical harness with three cable ties ⑤ (not shown) at taped locations 1F.



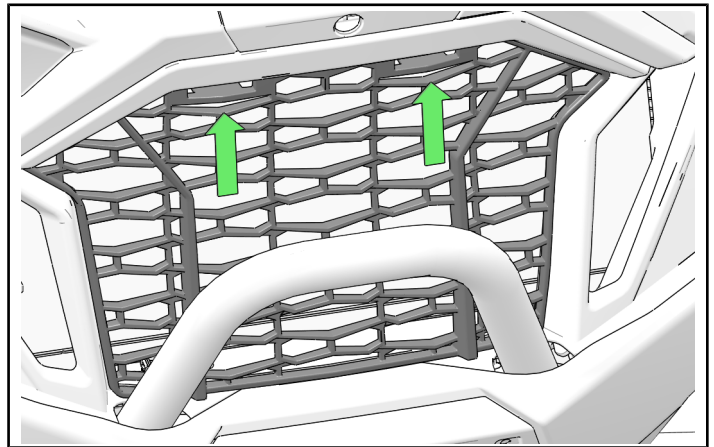
- Route lightbar harness ① through entry in firewall and into under-dashboard.



- Join lightbar harness connectors 1B and 1C to corresponding *Lightbar Harness Kit* P/N 2883949 connectors **B** and **C**.



- Push top of grille into front fascia until two tabs engage with fascia and are secure.



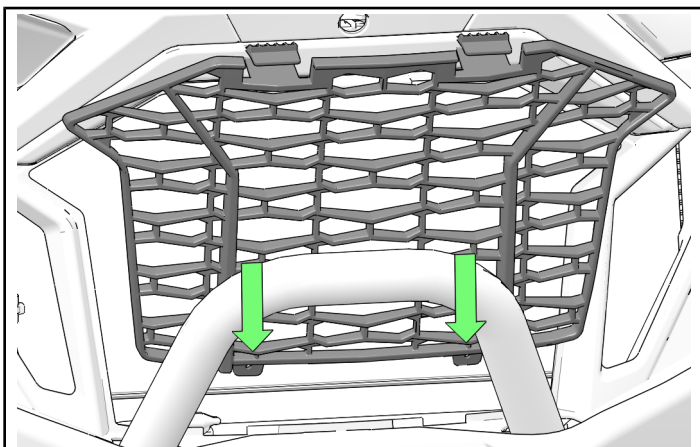
VEHICLE REASSEMBLY

GENERAL

- Test fascia lightbar before proceeding with reassembly procedures.
- Reinstall dashboard storage compartment.

GRILLE INSTALLATION

- Tip bottom of grille into front fascia.



FASCIA INSTALLATION

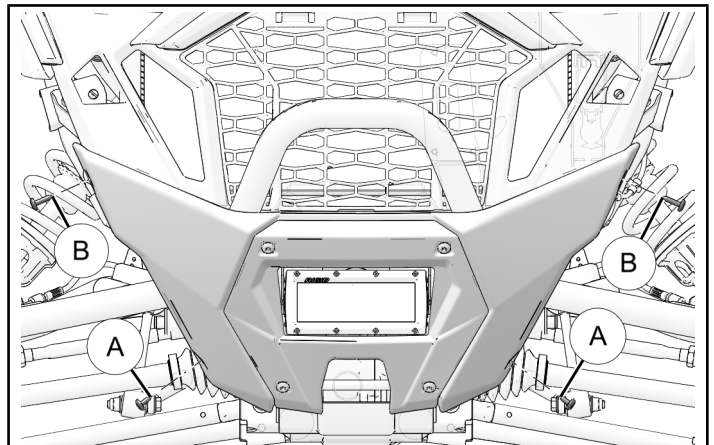
- Install front bumper fascia with two retained bottom fasteners **A** and two retained top fasteners **B**.

TORQUE

Fascia Fasteners (Top) **B**:
89 in-lbs (10 N·m)

TORQUE

Fascia Fasteners (Bottom) **A**:
89 in-lbs (10 N·m)



FEEDBACK FORM

A feedback form has been created for the installer to provide any comments, questions or concerns about the installation instructions. The form is viewable on mobile devices by scanning the QR code or by clicking [HERE](#) if viewing on a PC.

