

ACCENT LIGHT KIT



P/N 2884053

APPLICATION

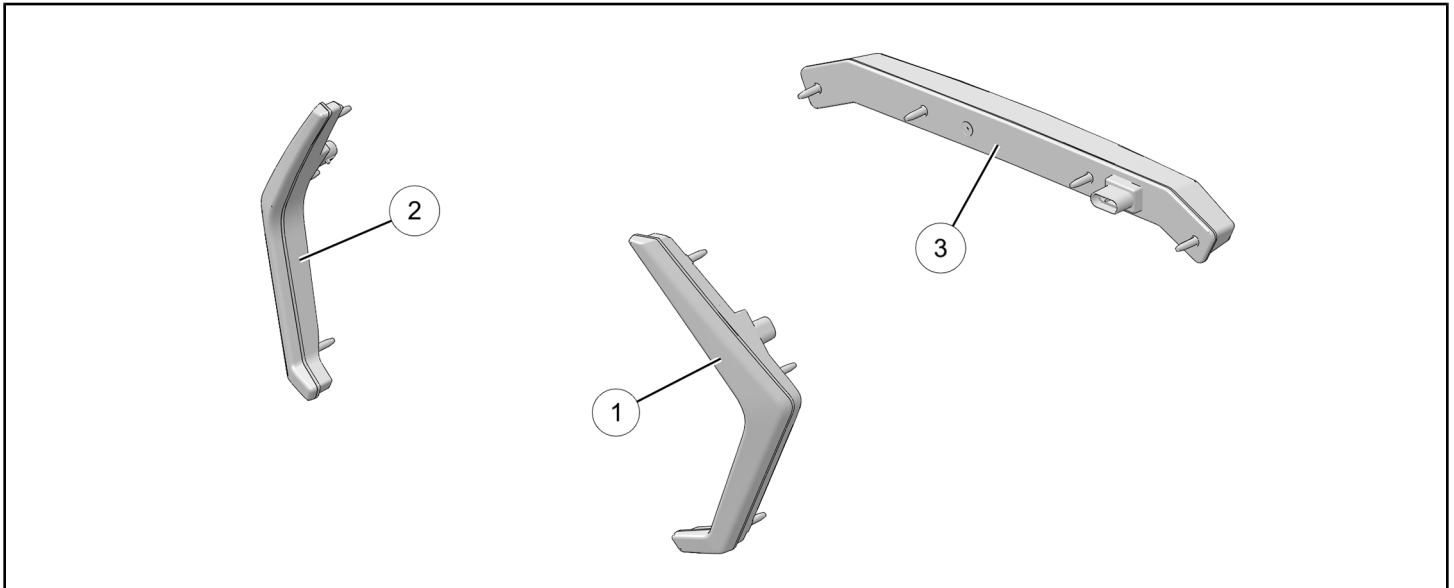
Verify accessory fitment at Polaris.com.

BEFORE YOU BEGIN

Read these instructions and check to be sure all parts and tools are accounted for. Please retain these installation instructions for future reference and parts ordering information.

KIT CONTENTS

This Kit includes:



REF	QTY	PART DESCRIPTION	PART NUMBER
1	1	Accent Light, Front LH	2414087
2	1	Accent Light, Front RH	2414088
3	1	Accent Light, Rear	2413431
	1	Instructions	9929376

TOOLS REQUIRED

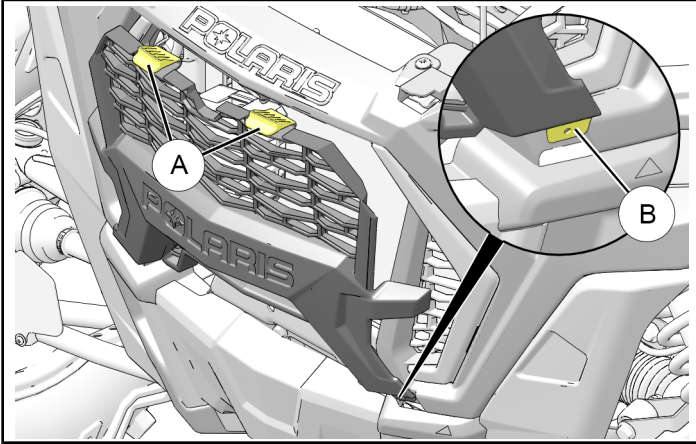
- Safety Glasses
- Wrench Set, Metric

IMPORTANT

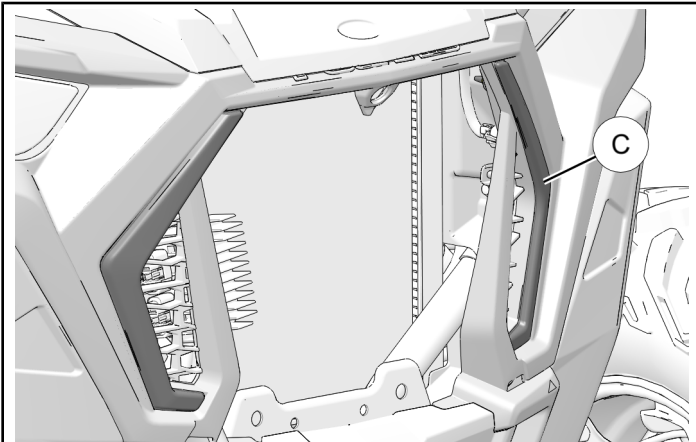
Your Accent Light Kit is exclusively designed for your vehicle. Please read the installation instructions thoroughly before beginning. Installation is easier if the vehicle is clean and free of debris. For your safety, and to ensure a satisfactory installation, perform all installation steps correctly in the sequence shown.

INSTALLATION INSTRUCTIONS

1. Shift vehicle transmission into "PARK". Turn ignition switch to "OFF" position and remove key.
2. Install front accent lights.
 - a. Remove front grille by depressing two tabs (A) at top of grille, tip grille slightly outward, then lift to disengage two lower tabs (B) (LH and RH).

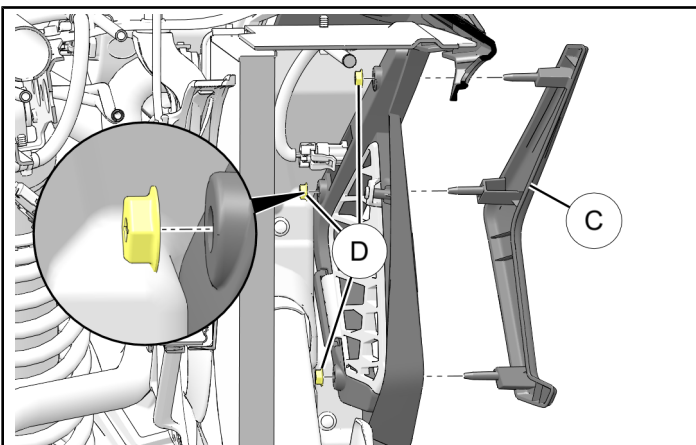


- b. Remove LH trim (C) from front fascia by removing three stamped nuts (D). Retain nuts.

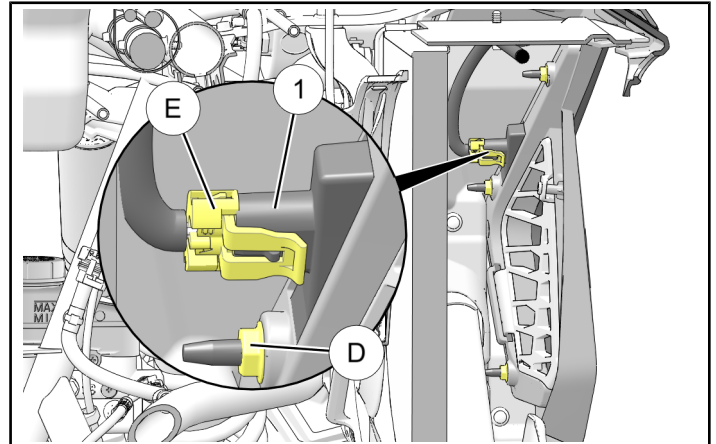


NOTE

Next image shows section view looking forward and outboard at LH trim.



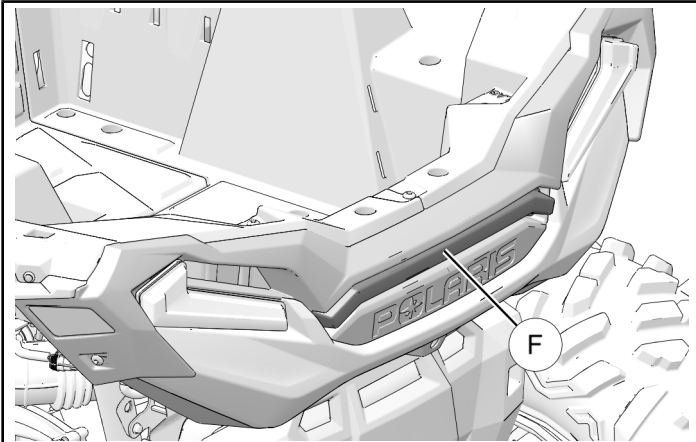
- c. Install front LH accent light (1) to fascia using three retained nuts (D).



- d. Remove cap from light connector (E), then plug into accent light.
 - e. Repeat Steps a. through d. for RH side of vehicle using RH accent light (2).
 - f. Reinstall grille.

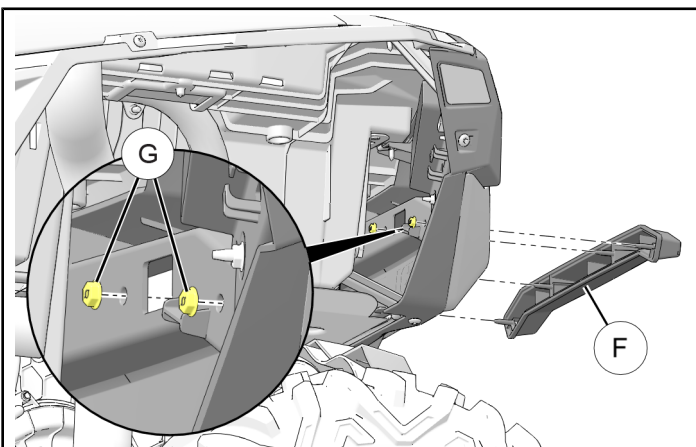
3. Install rear accent light.

- a. Remove trim (F) from rear fascia by removing four stamped nuts (G). Retain nuts.

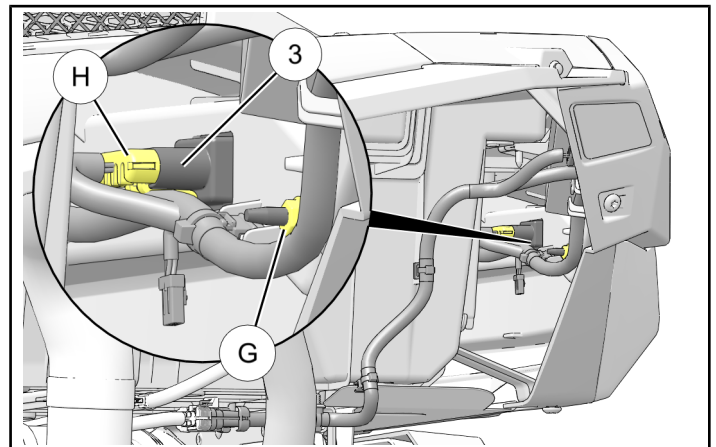


NOTE

LH shown; RH side opposite.
Chassis electrical harness hidden for clarity.



- b. Install rear accent light (3) to fascia using four retained nuts (G).



- c. Remove cap from light connector (H), then plug into accent light.

FEEDBACK FORM

A feedback form has been created for the installer to provide any comments, questions or concerns about the installation instructions. The form is viewable on mobile devices by scanning the QR code or by clicking [HERE](#) if viewing on a PC.

FEEDBACK FORM

