

# ACCENT LIGHT KIT



P/N 2884871

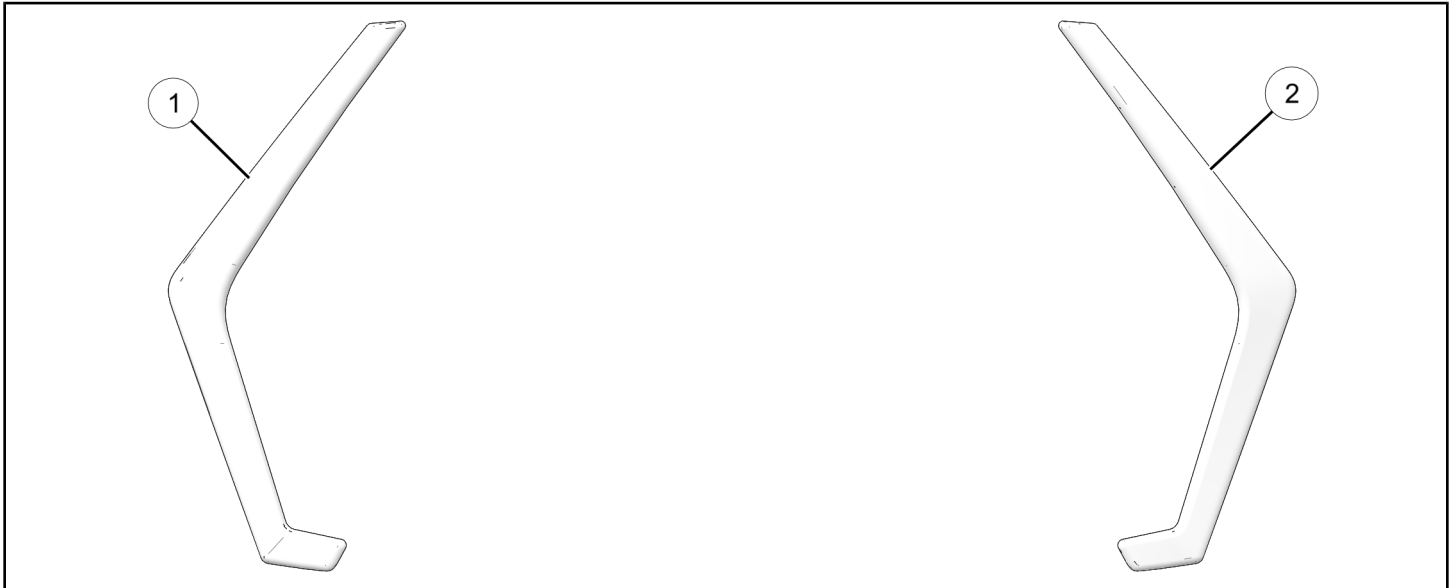
## APPLICATION

Verify accessory fitment at [www.polaris.com](http://www.polaris.com).

## BEFORE YOU BEGIN

Read these instructions and check to be sure all parts and tools are accounted for. Please retain these installation instructions for future reference and parts ordering information.

## KIT CONTENTS



REF	QTY	PART DESCRIPTION	P/N AVAILABLE SEPARATELY
1	1	Assembly–Light, Accent, Right-Hand	2414088
2	1	Assembly–Light, Accent, Left-Hand	2414087

## TOOLS REQUIRED

- Safety Glasses
- Socket Set, SAE
- Wrench Set, SAE

## IMPORTANT

Your Accent Light Kit is exclusively designed for your vehicle. Please read the installation instructions thoroughly before beginning. Installation is easier if the vehicle is clean and free of debris. For your safety, and to ensure a satisfactory installation, perform all installation steps correctly in the sequence shown.

## INSTALLATION INSTRUCTIONS

### VEHICLE PREPARATION

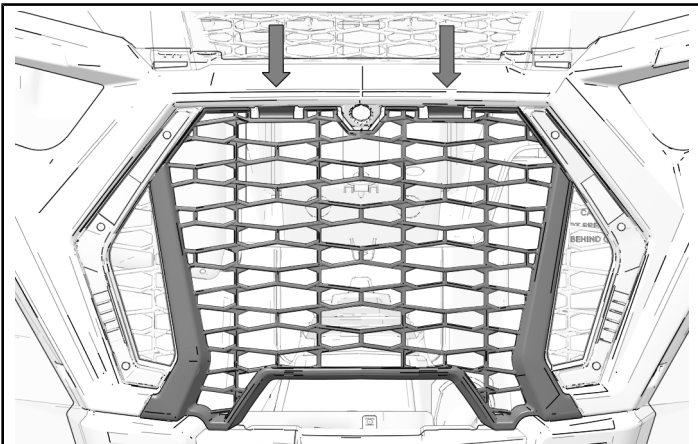
#### GENERAL

1. Shift vehicle transmission into PARK.

2. Turn ignition switch to OFF position and remove key.

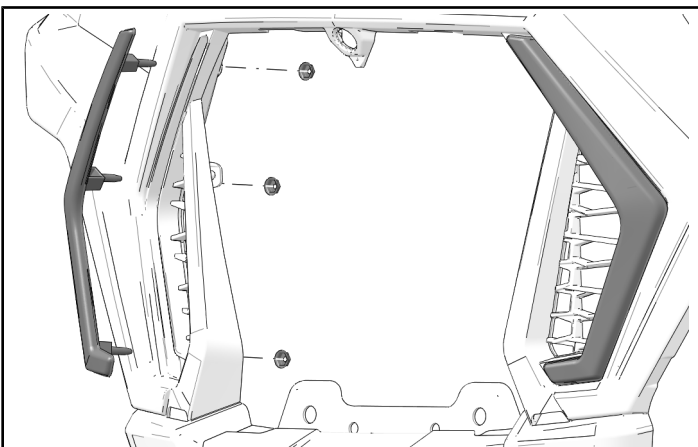
## GRILLE REMOVAL

1. Carefully push down on two tabs to disengage grille from front fascia. Tilt top outward to remove from vehicle.

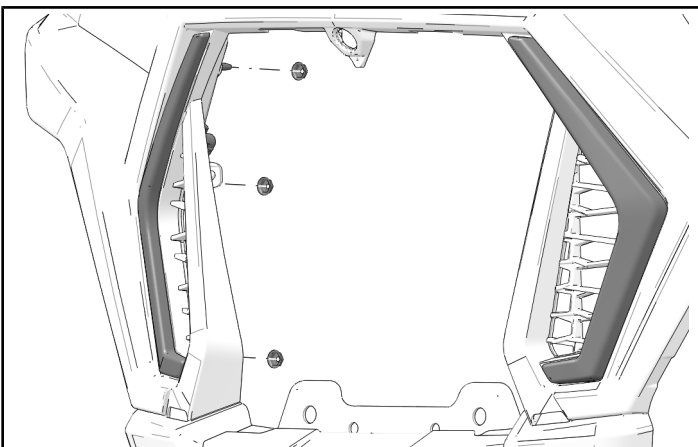


## ACCESSORY INSTALLATION

1. Remove each trim piece from front fascia. Keep three speed-nuts.



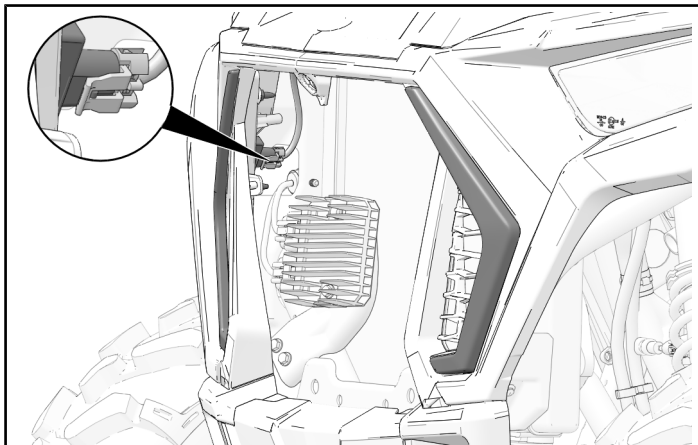
2. Install each accent light with three speed-nuts.



3. Connect chassis harness connector to rear of each accent light.

### TIP

Remove cap from connector (if equipped).



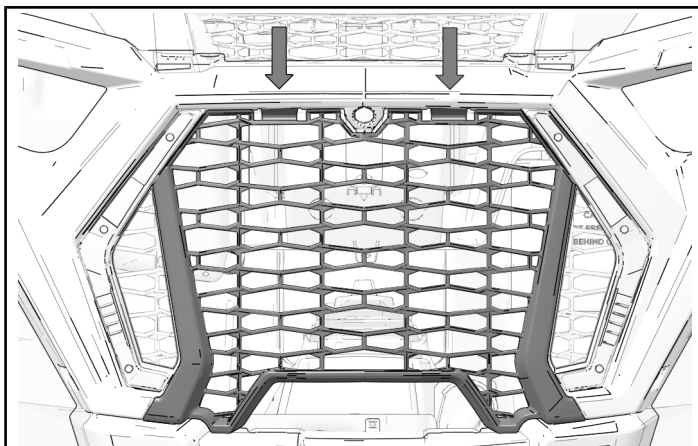
## VEHICLE REASSEMBLY

### GENERAL

1. Turn vehicle on and verify accent lights operate when headlights are on.

### GRILLE INSTALLATION

1. Tilt bottom of grille into front fascia. Push top into place until top tabs engage with front fascia.



## INSTRUCTION FEEDBACK FORM

A feedback form has been created for the installer to provide any comments, questions or concerns about the installation instructions. The form is viewable on mobile devices by scanning the QR code or by clicking [HERE](#) if viewing on a PC.

