

MULTI-POINT HARNESS KIT



P/N 2884077, 2884078

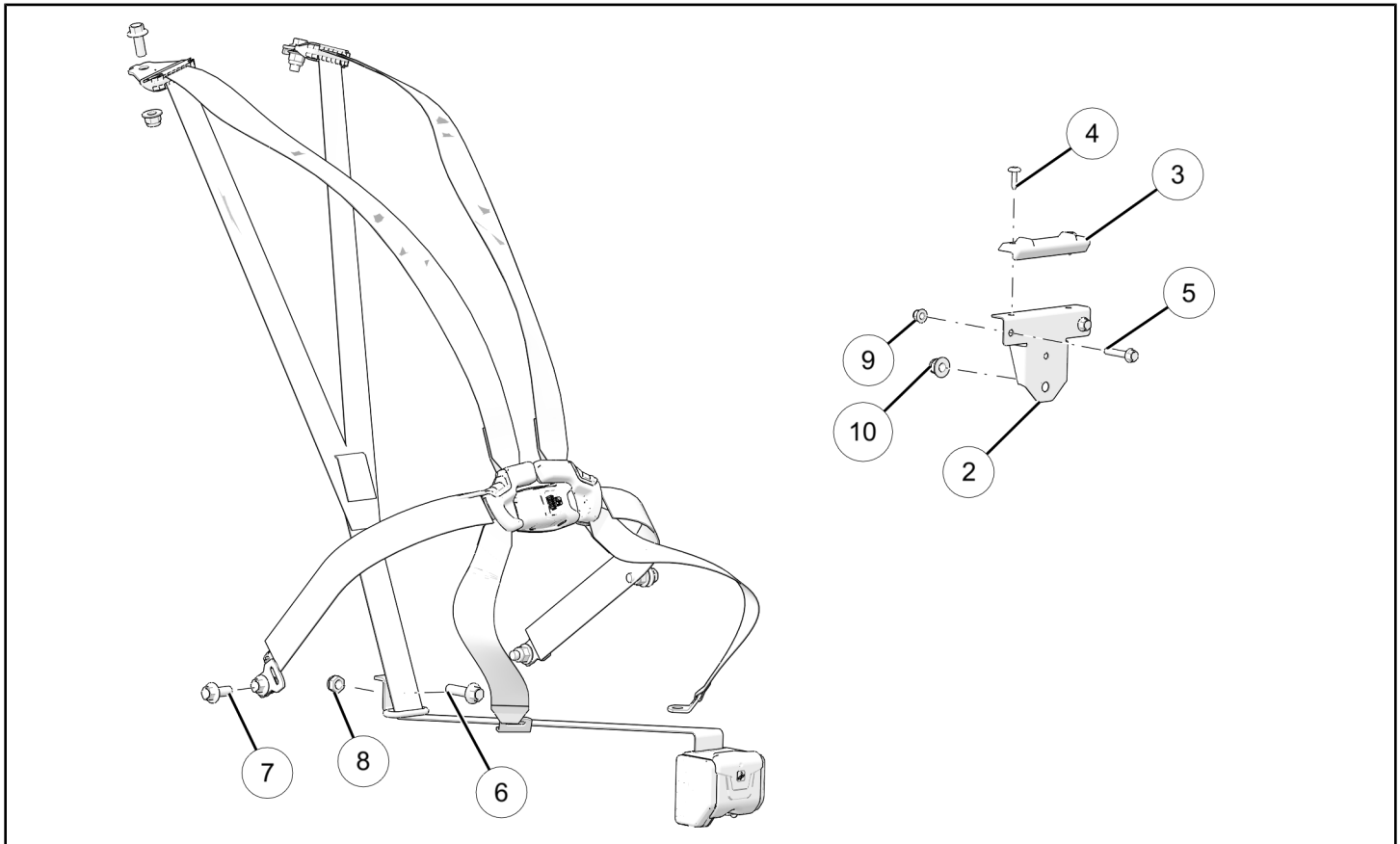
APPLICATION

Verify accessory fitment at Polaris.com.

BEFORE YOU BEGIN

Read these instructions and check to be sure all parts and tools are accounted for. Please retain these installation instructions for future reference and parts ordering information.

KIT CONTENTS



REF	QTY	PART DESCRIPTION	P/N AVAILABLE SEPARATELY
1	1	Assembly, Seat Belt, 6 pt., Driver Assembly, Seat Belt, 6 pt., Passenger, Front	2637406 2637078
2	1	Bracket, Mount, Retractor, 6 pt.	N/A
3	1	Guide, Seat Belt, 6 pt.	5455481
4	2	Screw, Torx® Truss Head, M6 X 1.0 X 25	7519650
5	2	Screw, Hex Flange, M8 X 1.25 X 45	7519738
6	1	Screw, Hex Flange, M12 X 1.75 X 45	7519768
7	4	Screw, Hex Flange, M12 X 1.75 X 30	7520054
8	1	Nut, Nylon Locking, M12 X 1.75	N/A

REF	QTY	PART DESCRIPTION	P/N AVAILABLE SEPARATELY
9	2	Nut, M8 X 1.25, Flange, Nylon Lock	7547332
10	5	Nut, Hex Flange, M12 X 1.75	7547441
	1	Instructions	9929347

TOOLS REQUIRED

- Safety Glasses
- Socket Set, Metric
- Socket Set, Torx® Bit
- Torque Wrench
- Wrench Set, Metric

IMPORTANT

Your Multi-Point Harness Kit is exclusively designed for your vehicle. Please read the installation instructions thoroughly before beginning. Installation is easier if the vehicle is clean and free of debris. For your safety, and to ensure a satisfactory installation, perform all installation steps correctly in the sequence shown.

INSTALLATION INSTRUCTIONS

VEHICLE PREPARATION

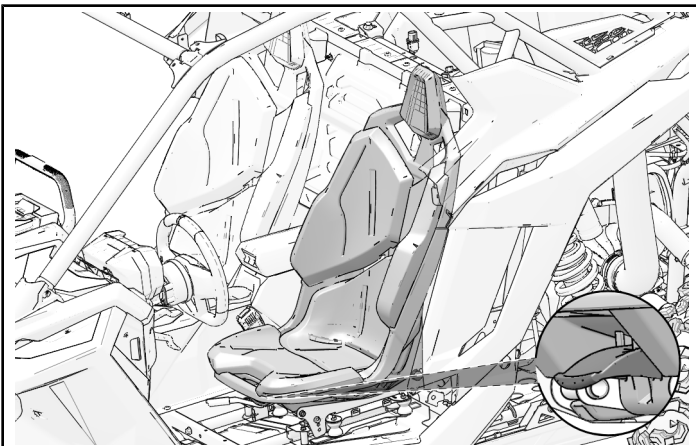
GENERAL

1. Shift vehicle transmission into PARK. Turn key to OFF position and remove from vehicle.
2. Open doors to access seats.

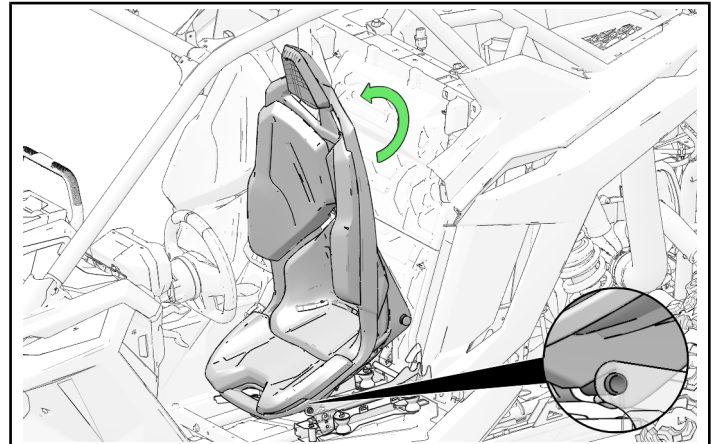
SEAT REMOVAL

NOTE
Driver seat shown; passenger seat similar.

1. Pull up on lever, located below front of seat.



2. Tilt seat assembly forward and pull back slightly to disengage from receiver tube. Remove seat from vehicle.

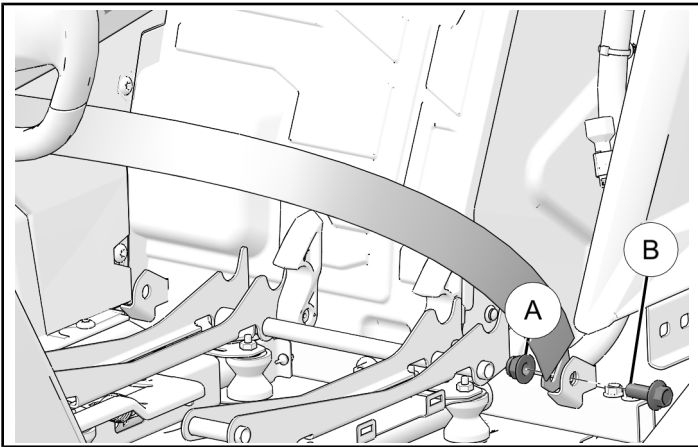


SEAT BELT REMOVAL

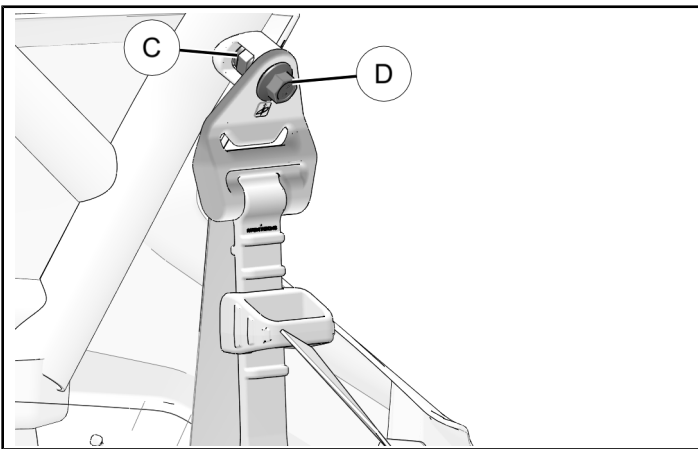
HARNESS REMOVAL

1. Unbuckle driver seat belt from buckle receiver.

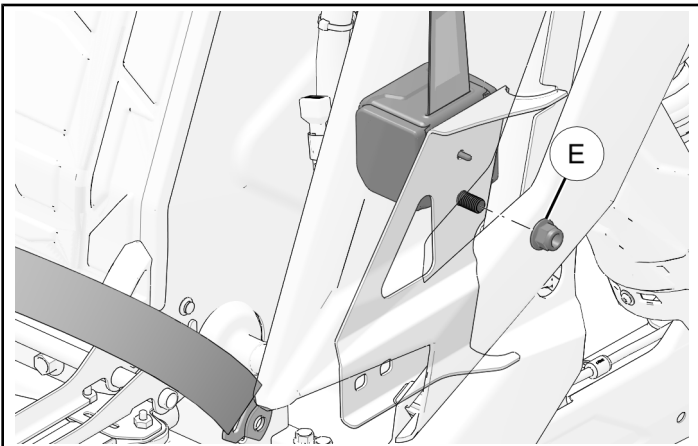
2. Remove and discard one nut (A) and one bolt (B) from lower seat belt bracket.



3. Remove and discard one nut (C) and one bolt (D) from upper seat belt bracket.



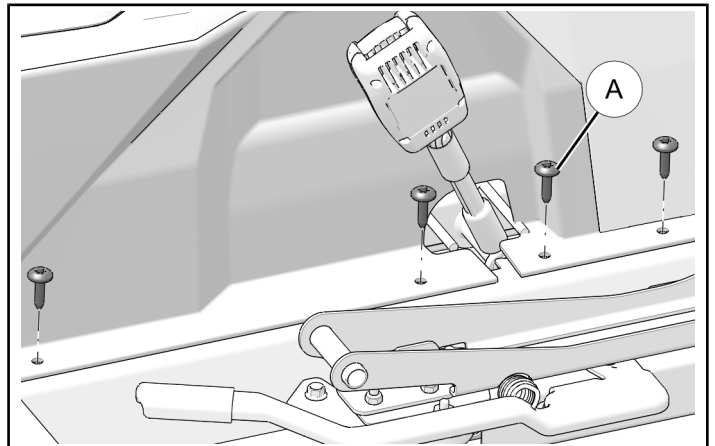
4. Remove and discard one nut (E) from seat belt retractor.



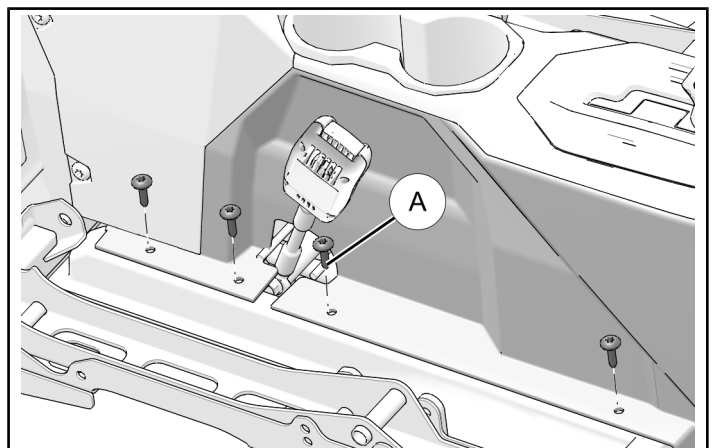
5. Remove 3-point harness from vehicle.
6. Repeat this section for removing passenger 3-point harness.

BUCKLE REMOVAL

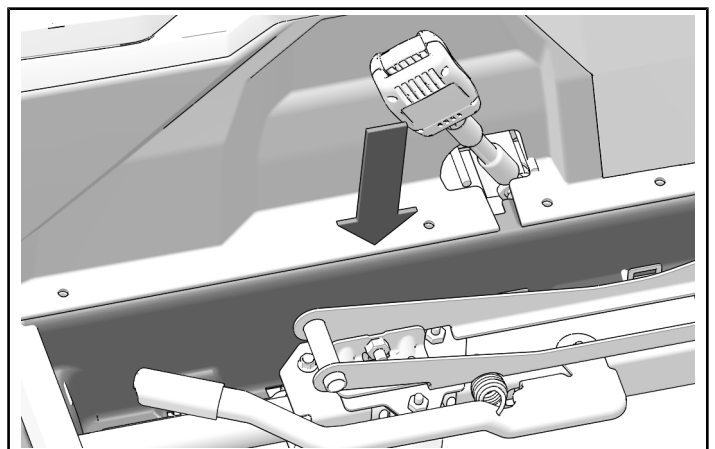
1. Remove and retain four screws (A) from LH center console panel.



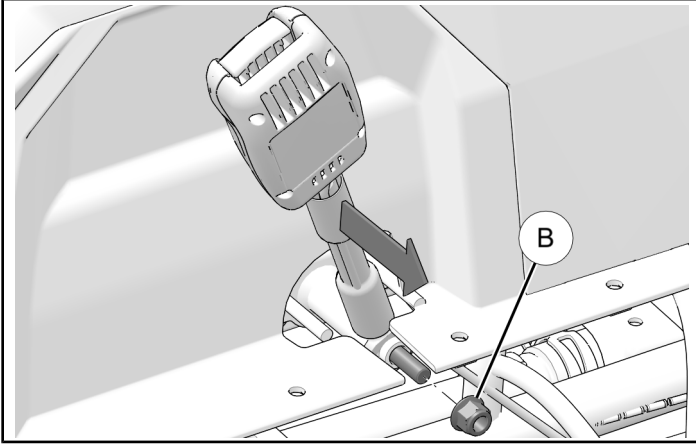
2. Remove and retain four screws (A) from RH center console panel.



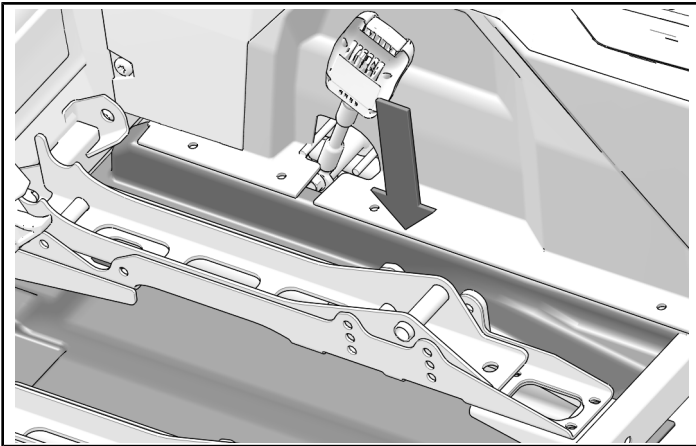
3. Carefully push center console panel and under-seat panel down to access connecting hardware.



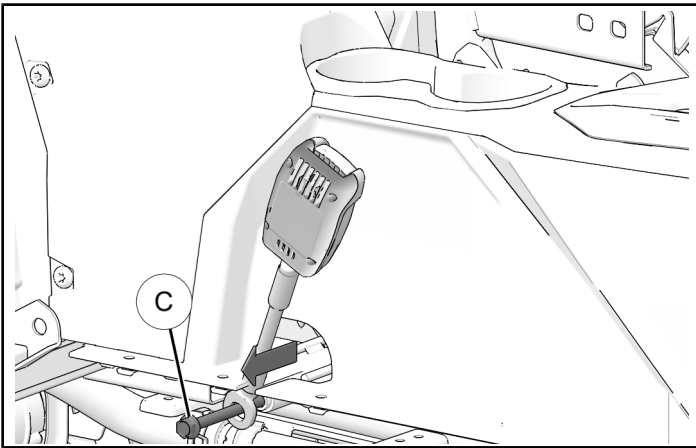
4. Remove and discard nut **B** from buckle connecting bolt. Disconnect speed-regulator connector. Remove and discard seat belt buckle.



5. Carefully push center console panel and under-seat panel down to access connecting hardware on passenger side.



6. Remove and discard bolt **C**. Remove and discard seat belt buckle.

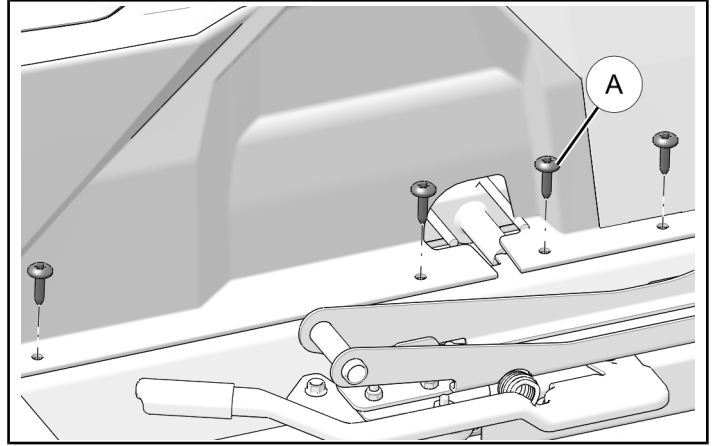


REINSTALLING CENTER CONSOLE PANELS

1. Reinstall driver-side and passenger-side center console panels with four retained screws **A** per side.

TORQUE

Eight screws **A**: **97 in. lbs. (11 Nm)**



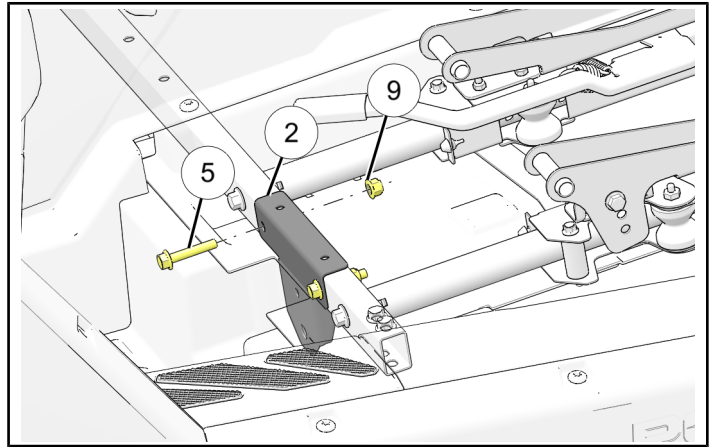
ACCESSORY INSTALLATION

RETRACTOR INSTALLATION

1. Install retractor bracket **2** onto front seat base with two bolts **5** and two nuts **9**.

TORQUE

Two bolts **5**: **16 ft. lbs. (22 Nm)**



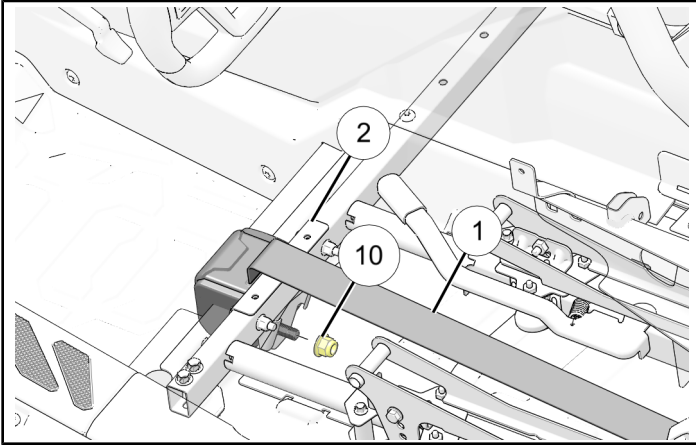
2. Mount retractor/harness assembly ① onto retractor bracket ② with one nut ⑩.

TIP

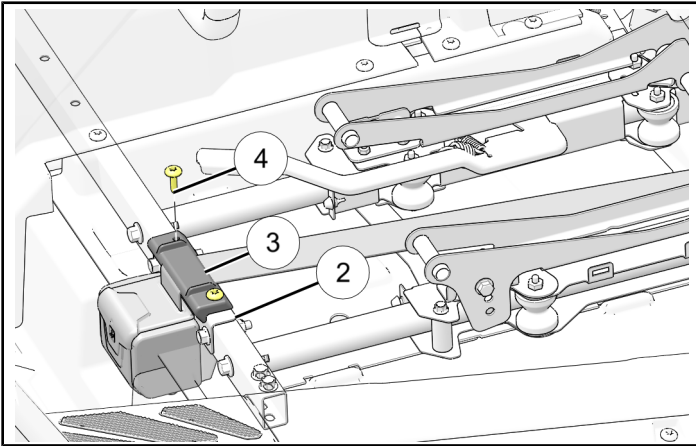
Set harness assembly ① in seat vacancy during this step.

TORQUE

One nut ⑩: 40 ft. lbs. (54 Nm)



3. Install front harness guide ③ onto retractor bracket ② with two screws ④. Pull seat belt taut over retractor bracket ② to ensure fluid retracting through harness guide ③.



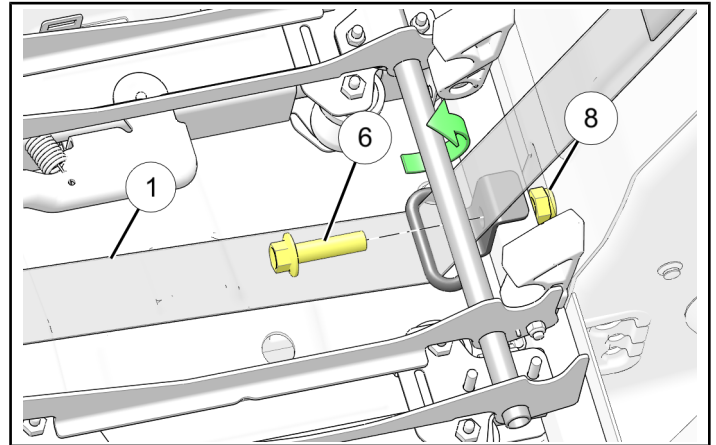
4. Mount rear harness guide onto rear seat base with one screw ⑥ and one nut ⑧. Ensure seat belt ① orientation is consistent between front and rear harness guides.

IMPORTANT

Seat belt ① must route under seat rear receiver tube.

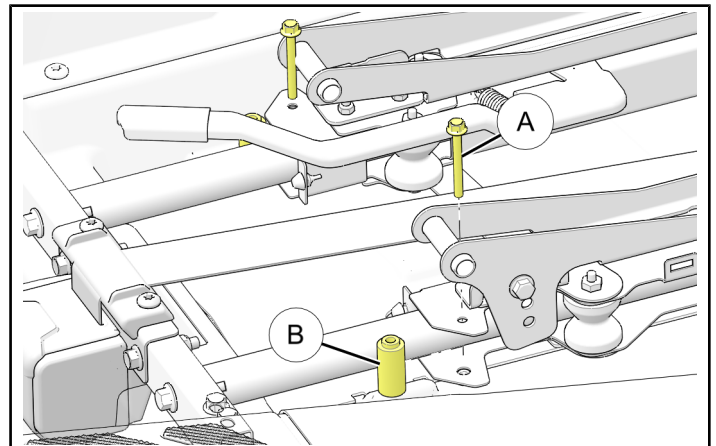
TORQUE

One screw ⑥: 54 ft. lbs. (73 Nm)

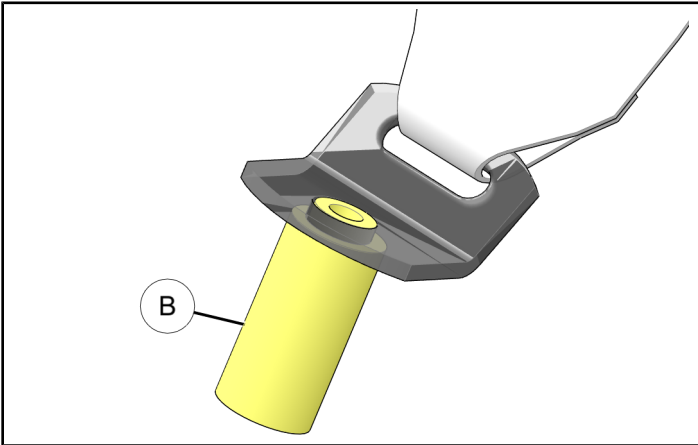


HARNESS INSTALLATION

1. Remove and retain two bolts (A) and two spacers (B) from seat roller brackets.



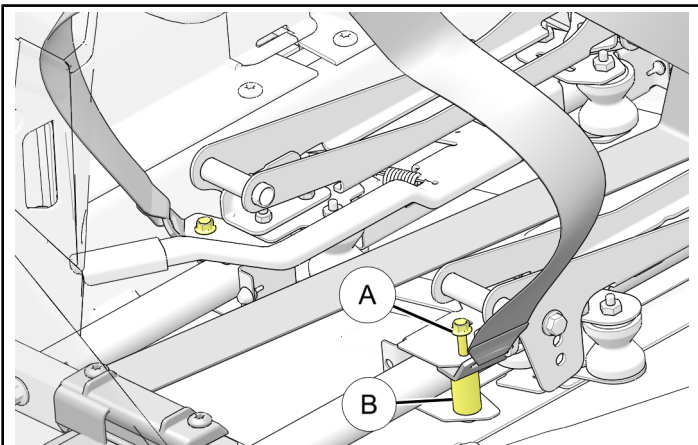
2. Stack harness brackets atop each spacer **ⓑ** groove.



3. Install harness bracket / spacer **ⓑ** assemblies with two retained screws **Ⓐ**, within seat roller brackets.

TORQUE

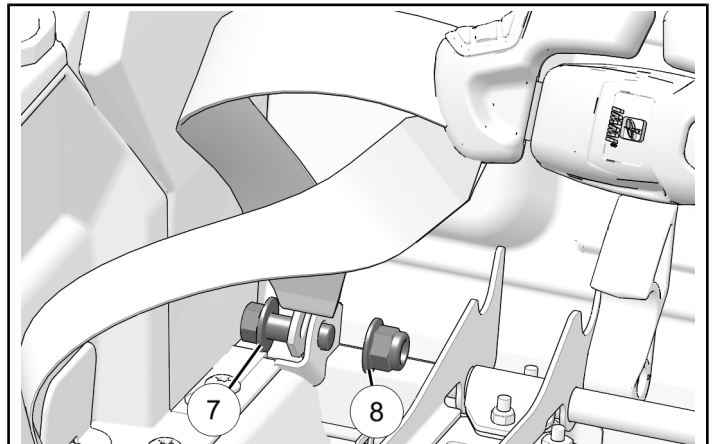
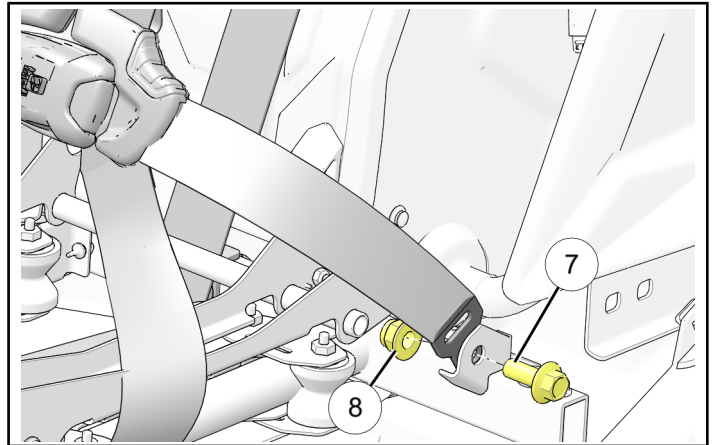
Two screws **Ⓐ**: **84 in. lbs. (9.5 Nm)**



4. Install rear harness brackets onto rear seat base with one screw **Ⓣ** and one nut **Ⓢ** per side.

TORQUE

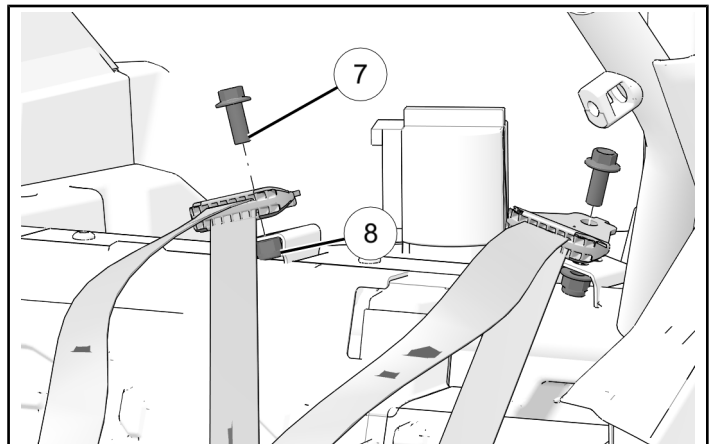
Two screws **Ⓣ**: **54 ft. lbs. (73 Nm)**



5. Install shoulder harness brackets with two bolts **Ⓣ** and two nuts **Ⓢ**.

TORQUE

Two screws **Ⓣ**: **54 ft. lbs. (73 Nm)**



6. Connect speed-regulator connector.

7. Unbuckle multi-point harness before reinstalling seat.

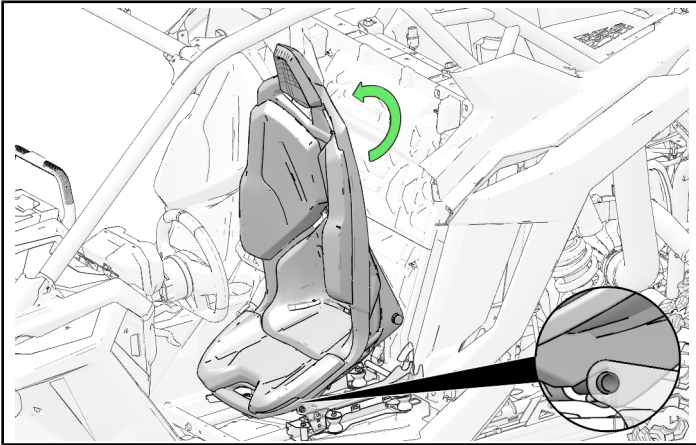
VEHICLE REASSEMBLY

SEAT INSTALLATION

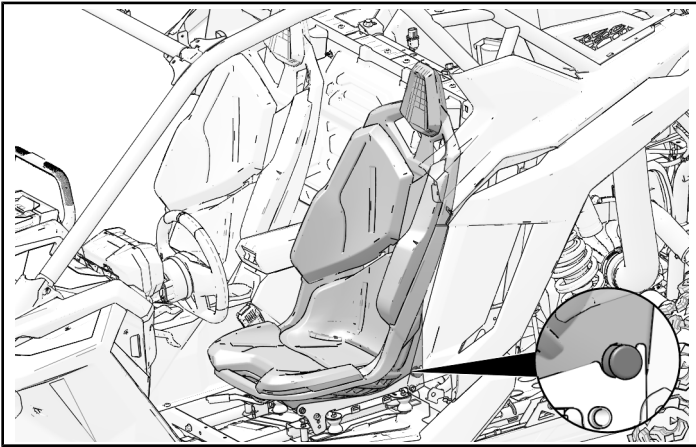
NOTE

Driver seat shown; passenger seat similar.

1. Tilt seat towards steering wheel and hook seat base onto front receiver tubes.



2. Lower seat onto rear receiver tubes.



FEEDBACK FORM

A feedback form has been created for the installer to provide any comments, questions or concerns about the installation instructions. The form is viewable on mobile devices by scanning the QR code or by clicking [HERE](#) if viewing on a PC.

FEEDBACK FORM

