

STORAGE BIN KIT



P/N 2884666

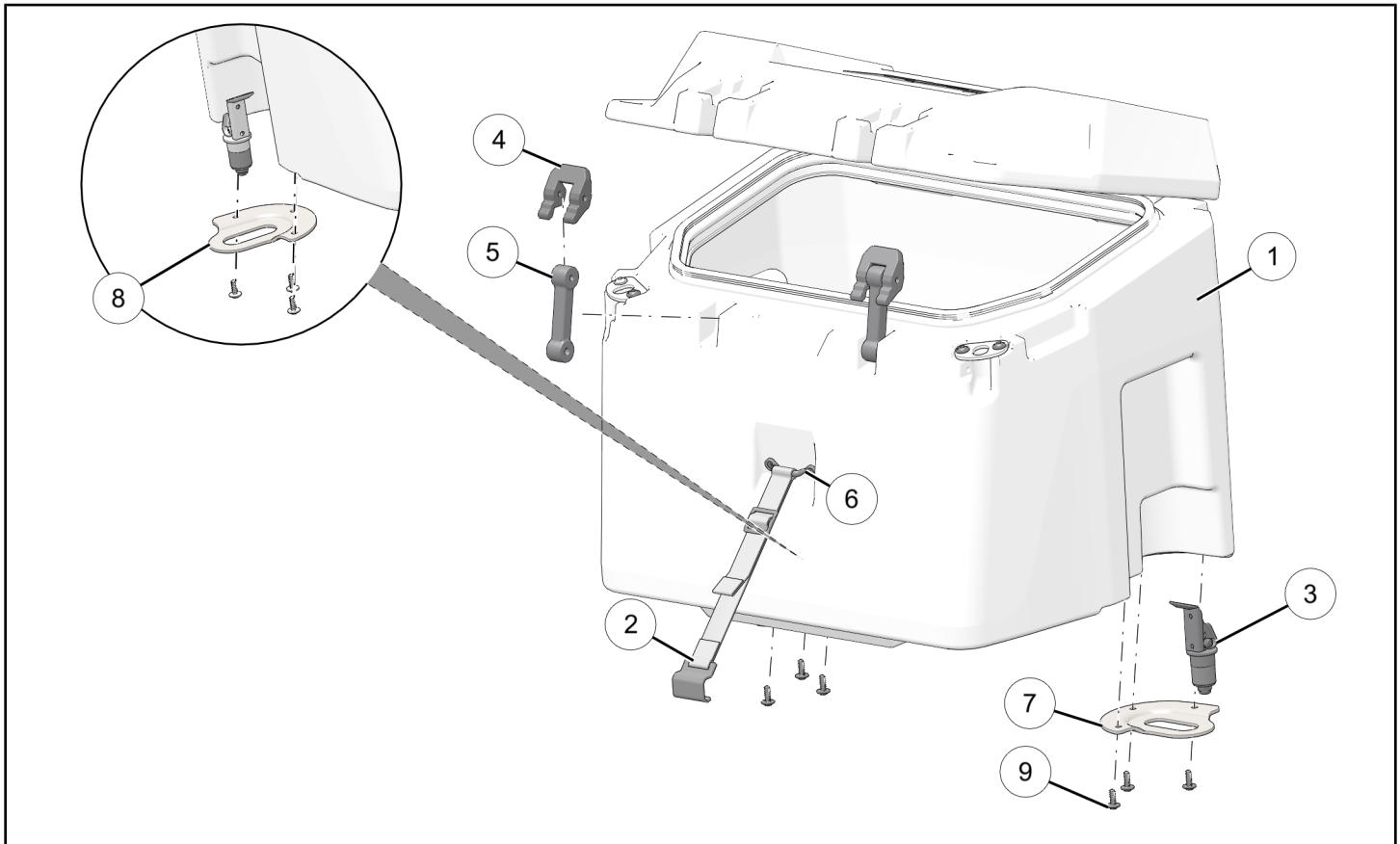
BEFORE YOU BEGIN

Read these instructions and check to be sure all parts and tools are accounted for. Please retain these installation instructions for future reference and parts ordering information.

APPLICATION

Verify accessory fitment at www.polaris.com.

KIT CONTENTS



REF	QTY	PART DESCRIPTION	P/N AVAILABLE SEPARATELY	AVAILABLE SERVICE KIT
1	1	Storage Bin	n/a	n/a
2	1	Assembly–Strap	n/a	2208597
3	2	Lock & Ride® Anchor	2876420	n/a
3.1	2	- Bushing–Rubber	5413598	n/a
3.2	2	- Washer–Plastic	5437777	n/a
3.3	2	- Screw–Pan Head, #8 x 32 x 0.75	7511875	n/a
3.4	2	- Nut–Nylon locking, #8 x 32	7545004	n/a
3.5	2	- Nut–Nylon locking , 5/16 x 24	7547217	n/a

REF	QTY	PART DESCRIPTION	P/N AVAILABLE SEPARATELY	AVAILABLE SERVICE KIT
3.6	2	- Washer– 0.375x 0.875 x 0.078	7558403	n/a
4	2	Body–Flex, Latch	n/a	2208597
5	2	Latch–Lever, Storage	n/a	2208597
6	1	Loop–Footman	n/a	2208597
7	1	Bracket–Mounting, Lock & Ride®, Right-Hand	n/a	n/a
8	1	Bracket–Mounting, Lock & Ride®, Left-Hand	n/a	n/a
9	6	Screw–Flanged Button Head , M6 x 16mm	n'a	n/a

TOOLS REQUIRED

- Safety Glasses
- Hex Key Set, Metric
- Wrench Set, SAE

IMPORTANT

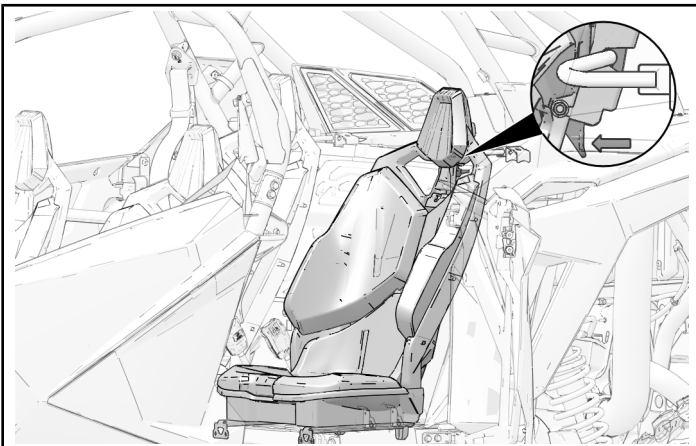
Your Storage Bin Kit is exclusively designed for your vehicle. Please read the installation instructions thoroughly before beginning. Installation is easier if the vehicle is clean and free of debris. For your safety, and to ensure a satisfactory installation, perform all installation steps correctly in the sequence shown.

INSTALLATION INSTRUCTIONS

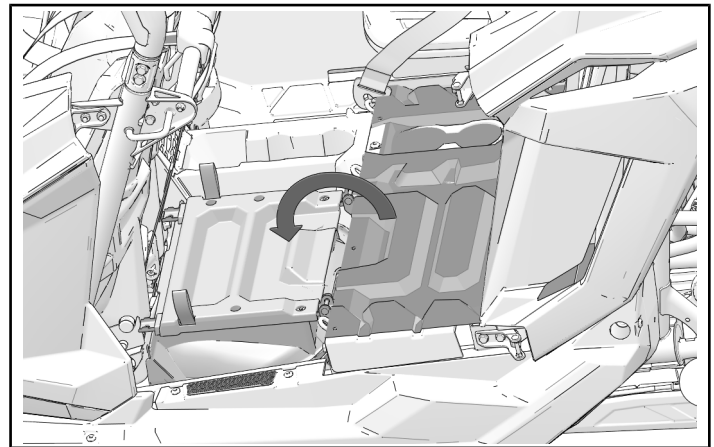
VEHICLE PREPARATION

GENERAL

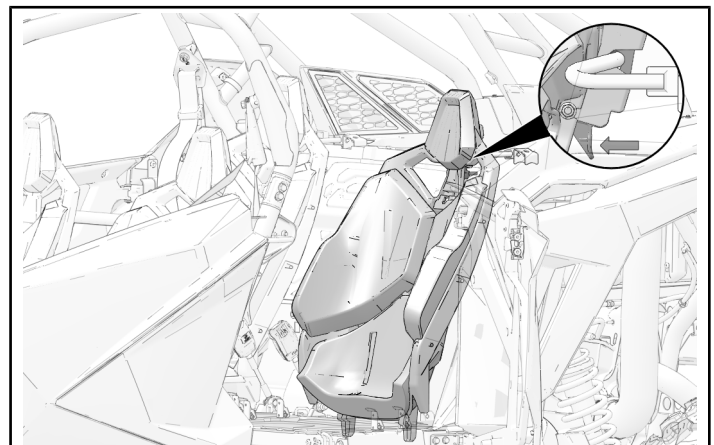
1. Shift vehicle transmission into PARK.
2. Turn key to OFF position and remove from vehicle.
3. Remove seat back.



4. Flip seat base down.



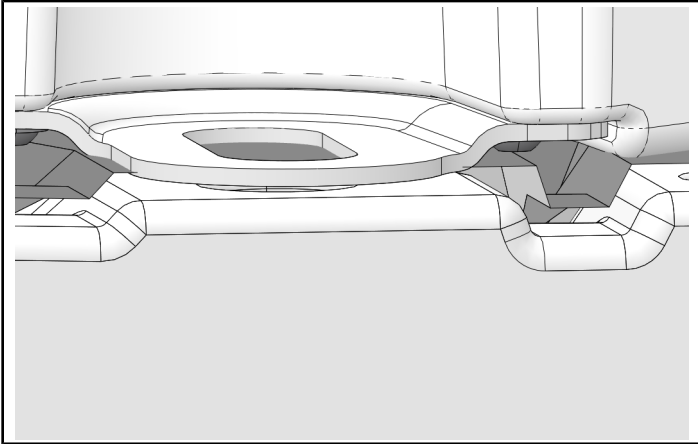
5. Reinstall rear seat back.



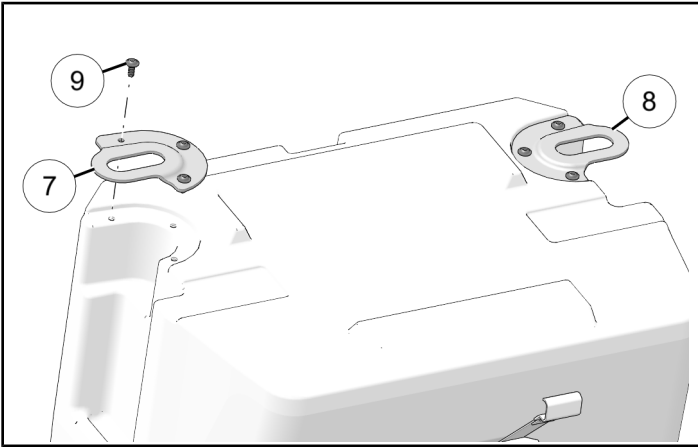
ACCESSORY INSTALLATION

Installed View

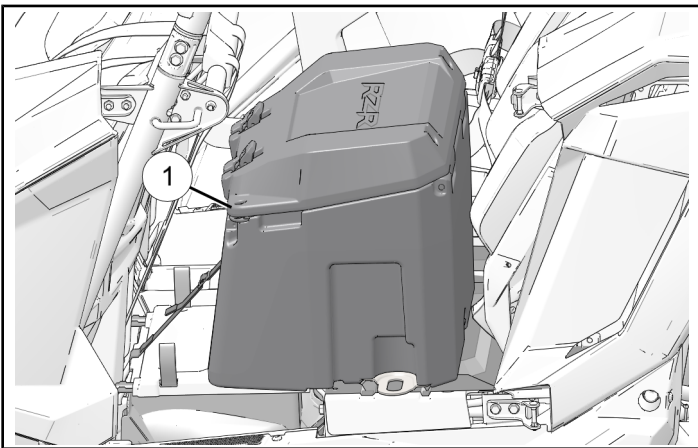
Make sure bracket orientation is as shown with Lock & Ride® hole as the lowest point.



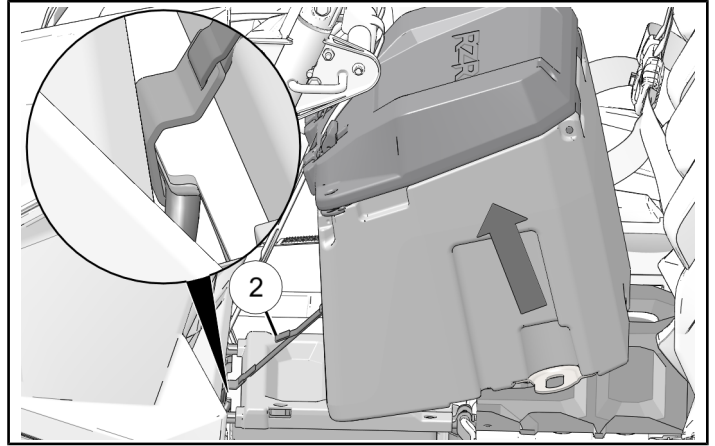
1. Install brackets ⑦ and ⑧ using screws ⑨. Torque fasteners until fully seated.



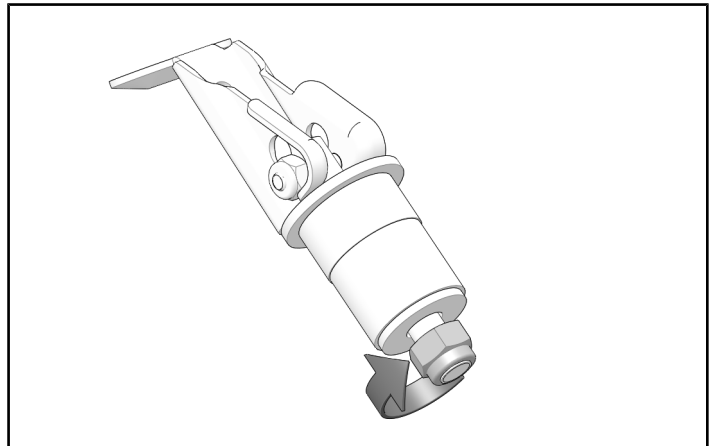
2. Place bin ① in vehicle and nest bottom of bin into platform. Lock & Ride® mounting holes will align in rear seat panel.



3. Tilt bin forward and secure strap ② to steel rod that supports seat base. Tension strap to lift back of box.



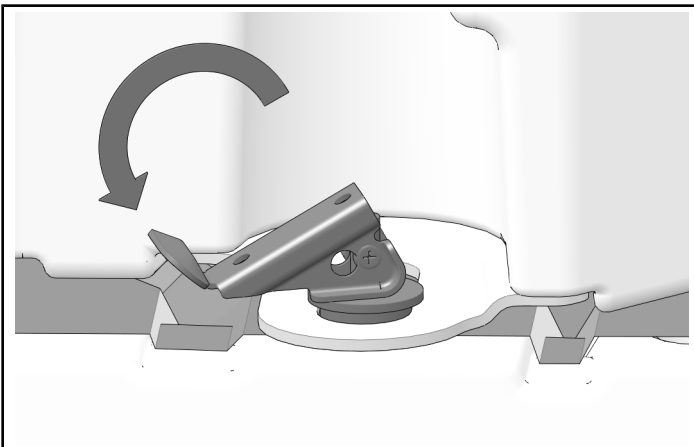
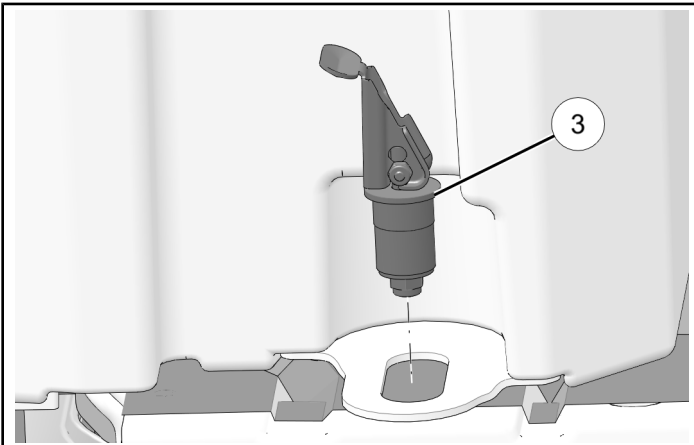
4. Lock & Ride® assemblies may need adjustment. Tighten or loosen bottom nut depending on fit.



5. Push box down. Insert and lock Lock & Ride® anchors ③.

IMPORTANT

Bin should not move when strap and Lock & Ride® anchors are installed.



INSTRUCTION FEEDBACK FORM

A feedback form has been created for the installer to provide any comments, questions or concerns about the installation instructions. The form is viewable on mobile devices by scanning the QR code or by clicking [HERE](#) if viewing on a PC.

