

SPARE TIRE CARRIER KIT



P/N 2884762

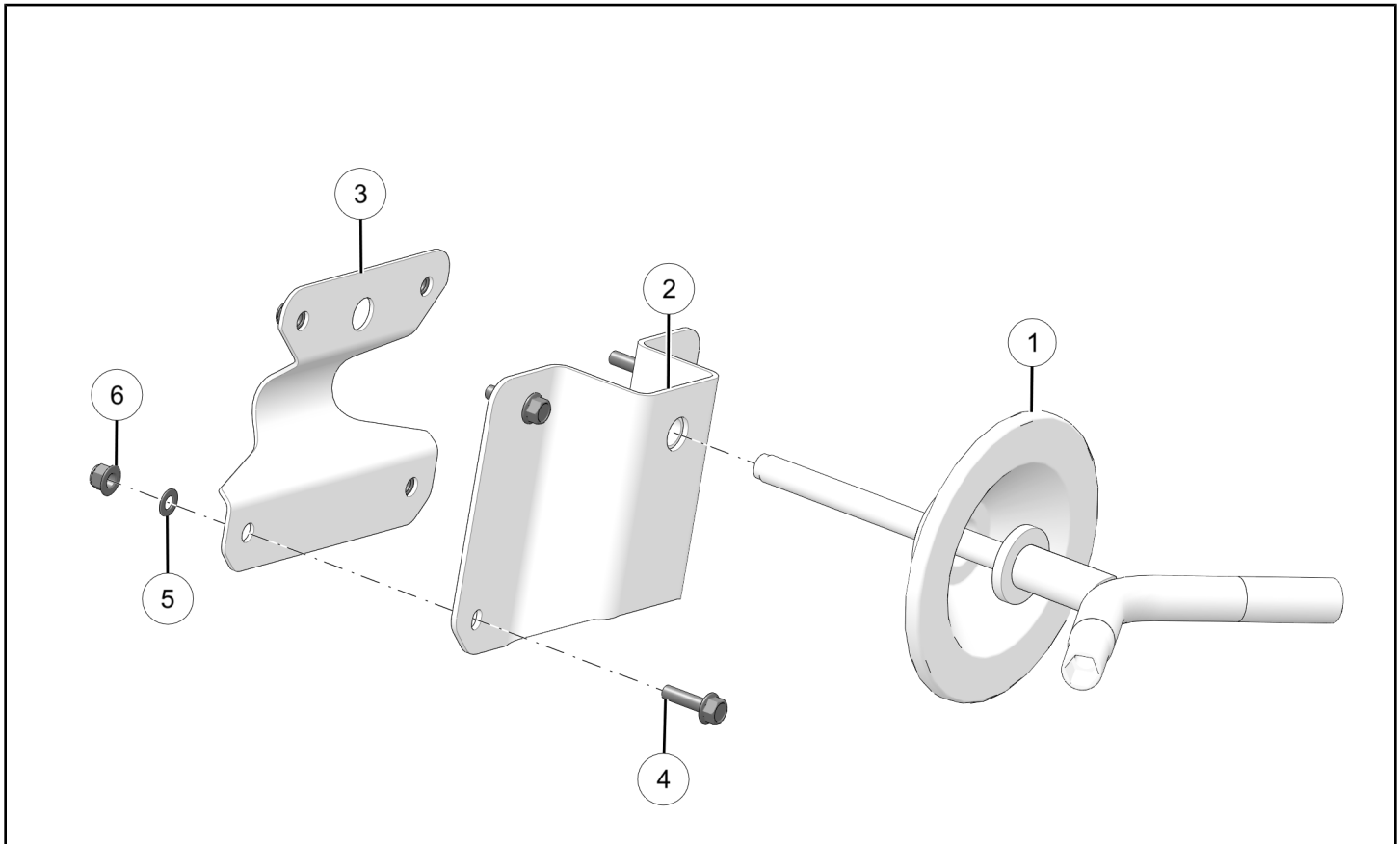
BEFORE YOU BEGIN

Read these instructions and check to be sure all parts and tools are accounted for. Please retain these installation instructions for future reference and parts ordering information.

APPLICATION

Verify accessory fitment at www.polaris.com.

KIT CONTENTS



REF	QTY	PART DESCRIPTION	P/N AVAILABLE SEPARATELY
1	1	Weld-Handle, Spare Tire	1019949
2	1	Assembly-Spare Tire Bracket, Rear	n/a
3	1	Assembly-Spare Tire Bracket, Front	n/a
4	4	Screw-Hex Flange, M8 x 1.25 x 30 mm	n/a
5	4	Washer-8.4 x 16.0 x 0.91 mm	7557059
6	4	Nut-Flange, Nylon Locking, M8 x 1.25 mm	7547332

TOOLS REQUIRED

- Safety Glasses
- Socket Set, Metric
- Torque Wrench
- Wrench Set, Metric

IMPORTANT

Your Spare Tire Carrier Kit is exclusively designed for your vehicle. Please read the installation instructions thoroughly before beginning. Installation is easier if the vehicle is clean and free of debris. For your safety, and to ensure a satisfactory installation, perform all installation steps correctly in the sequence shown.

INSTALLATION INSTRUCTIONS

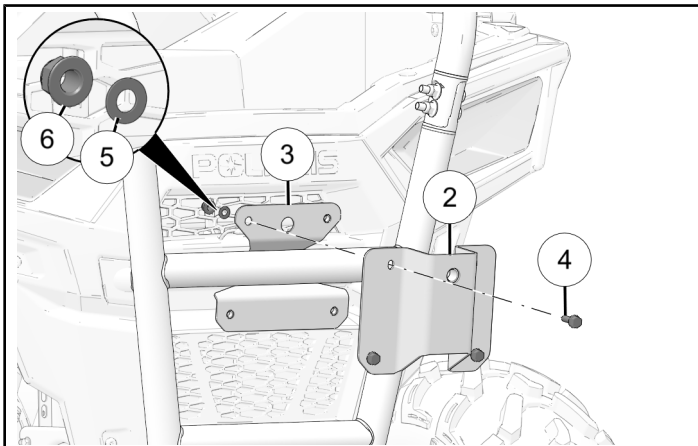
VEHICLE PREPARATION

GENERAL

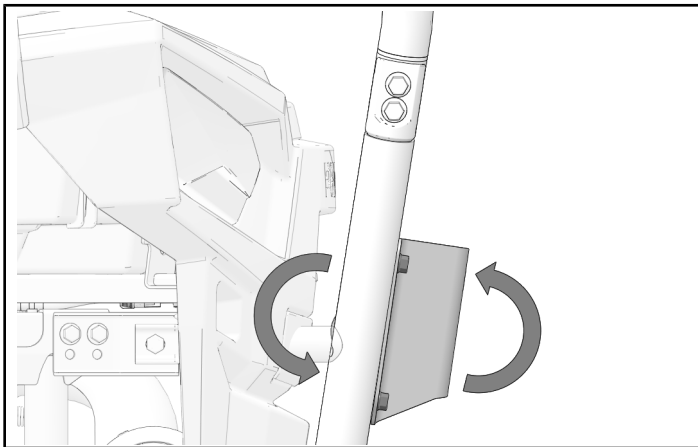
1. Shift vehicle transmission into PARK.
2. Turn ignition switch to OFF position and remove key.

ACCESSORY INSTALLATION

1. Assemble top bracket ② to bottom bracket ③, around rear bumper cross-beam, with four fasteners ④, four washers ⑤, and four nuts ⑥.



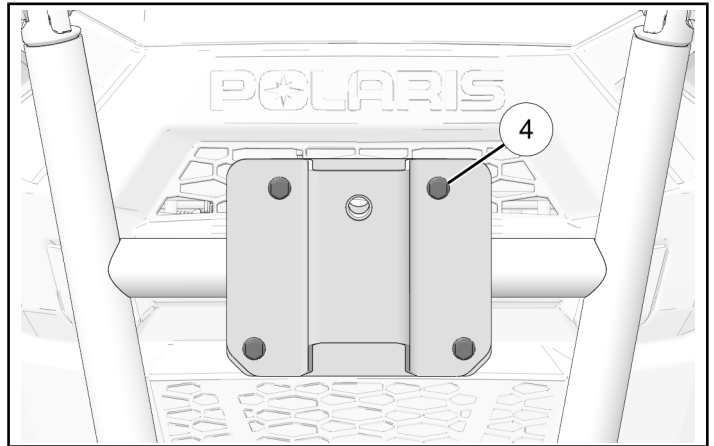
2. Pivot bracket assembly until the profile is parallel with the rear bumper's vertical tubes.



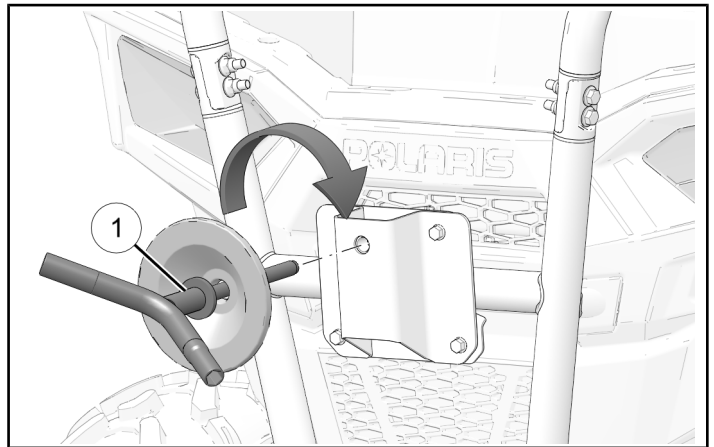
3. Counter-hold nuts and torque four bracket fasteners ④ to specification.

TORQUE

Bracket Fasteners ④:
18 ft-lbs (25 N·m)

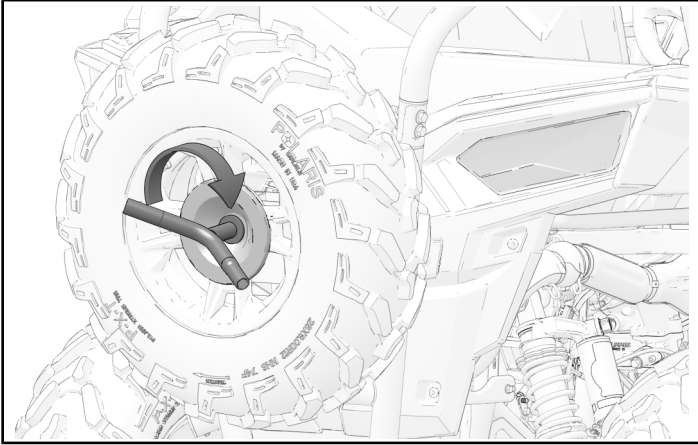


4. Align handle ① with bracket and turn clock-wise to install handle.



OPERATION

1. Remove center cap from spare wheel, if equipped.
2. Align spare tire with spare tire carrier assembly, pass handle through center of wheel, and turn clockwise to attach wheel to carrier.



FEEDBACK FORM

A feedback form has been created for the installer to provide any comments, questions or concerns about the installation instructions. The form is viewable on mobile devices by scanning the QR code or by clicking [HERE](#) if viewing on a PC.

