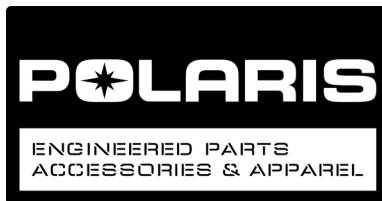


# SOFT TOP KIT



P/N 2880561

## APPLICATION

RZR 900, RZR 900 S

## BEFORE YOU BEGIN

Read these instructions twice and check to be sure all parts and tools are accounted for. Please retain these installation instructions for future reference and parts ordering information.



## KIT CONTENTS

Ref	Qty	Part Description	Part Number
1	1	Soft Top	2635592
2	1	Front Rod	-
3	2	Support Rod	-
4	4	Clamp	-
	1	Instructions	9925502

## TOOLS NEEDED

Safety Goggles

## APPROXIMATE ASSEMBLY TIME

10 min

## IMPORTANT

Your Polaris SOFT TOP KIT is exclusively designed for your vehicle. Please read the installation instructions thoroughly before beginning. Installation is easier if the vehicle is clean and free of debris. For your safety, and to ensure a satisfactory installation, perform all installation steps correctly in the sequence shown.

## INSTALLATION INSTRUCTIONS

1. Place the vehicle in “**PARK**” and turn the key to “**OFF**” position. Remove the key from the vehicle.
2. Slide the front rod (2) into the front provision of the soft top as shown in figure.



3. Insert the one end of front rod (2) into the webbing pocket as shown in figure.

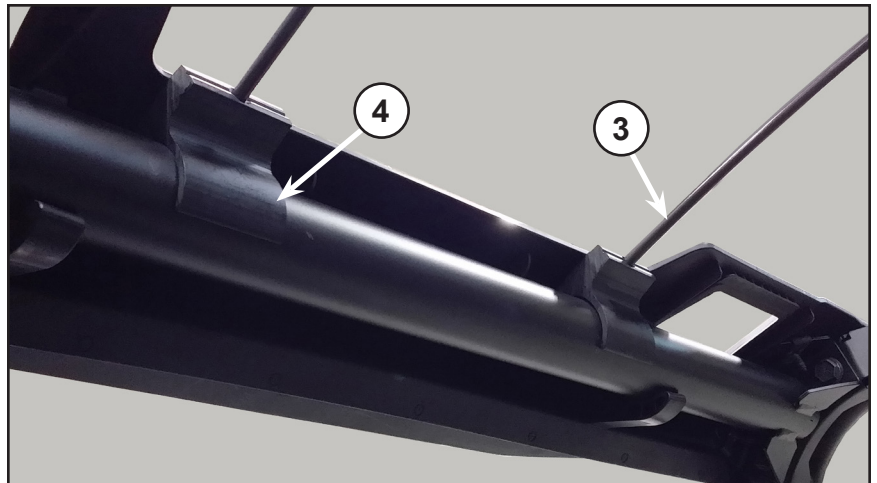




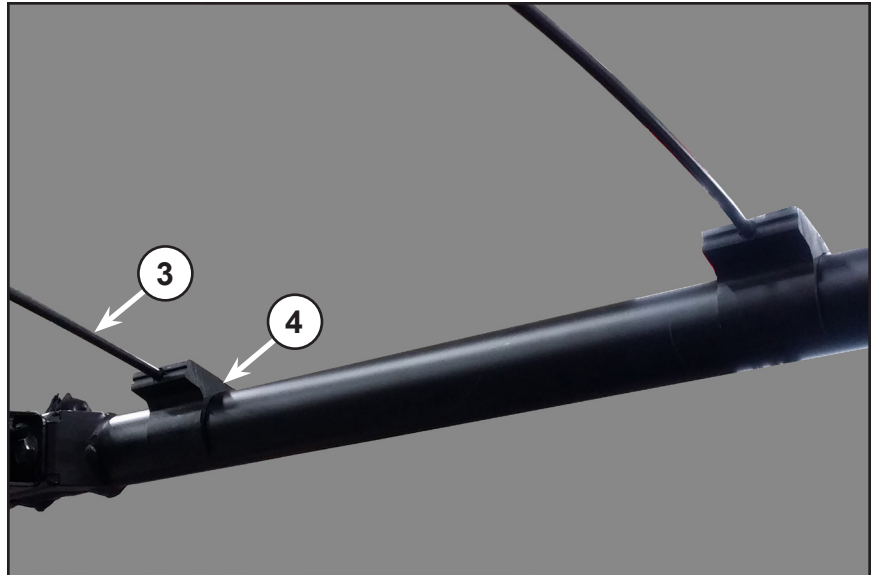
4. Remove Velcro from the other end and insert front rod (2) into webbing pocket and cover it by fixing the Velcro (A). See figures.



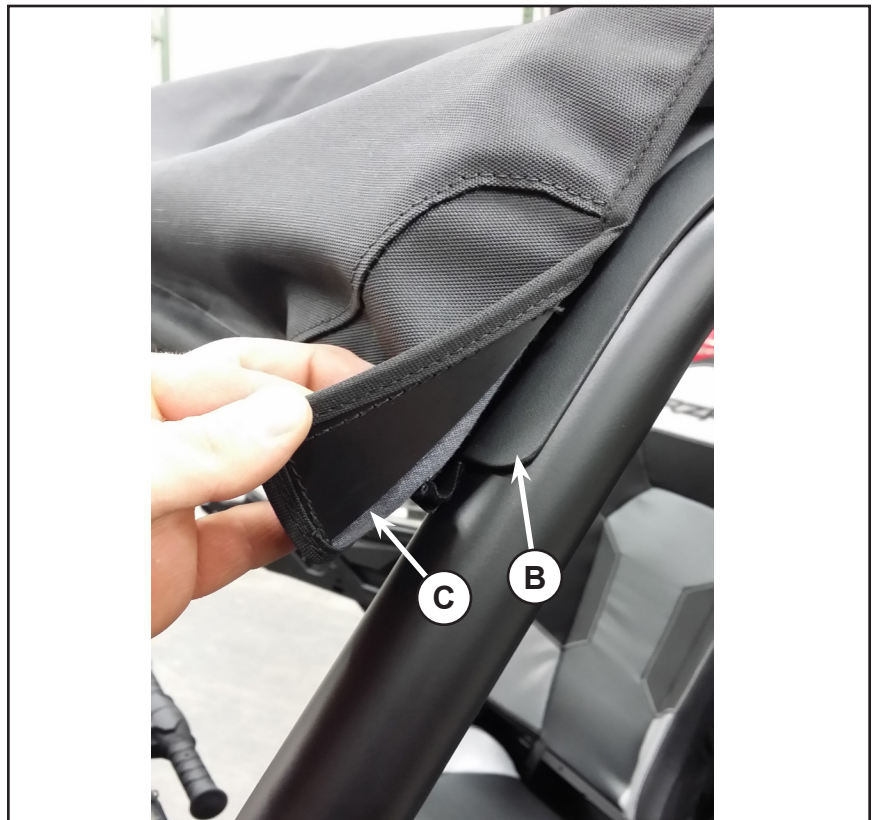
5. Press and fit the two clamps (4) at the front ROPS bar as shown in figure. Insert the support rods (3) into the holes of the front clamps.



6. Press and fit two clamps (4) at the rear ROPS bar. Insert the other ends of support rods (3) into the holes of the rear clamps by bending the rods slightly as shown in figure.



7. Put front end (C) of the soft top on to the visor panel (B) as shown in figure.



8. Stretch the soft top to rear. Wrap and tie both the straps (D) as shown in figure.

**NOTE:** Ensure the straps passes through the gusset (E) on the ROPS bar.



9. Ensure the tight fitment of the soft top. See figure.

**NOTE:** Pull the strap ends to the downward direction to tighten the soft top.

