

POLY ROOF KIT



P/N 2881206, 2881607, 2881608

APPLICATION

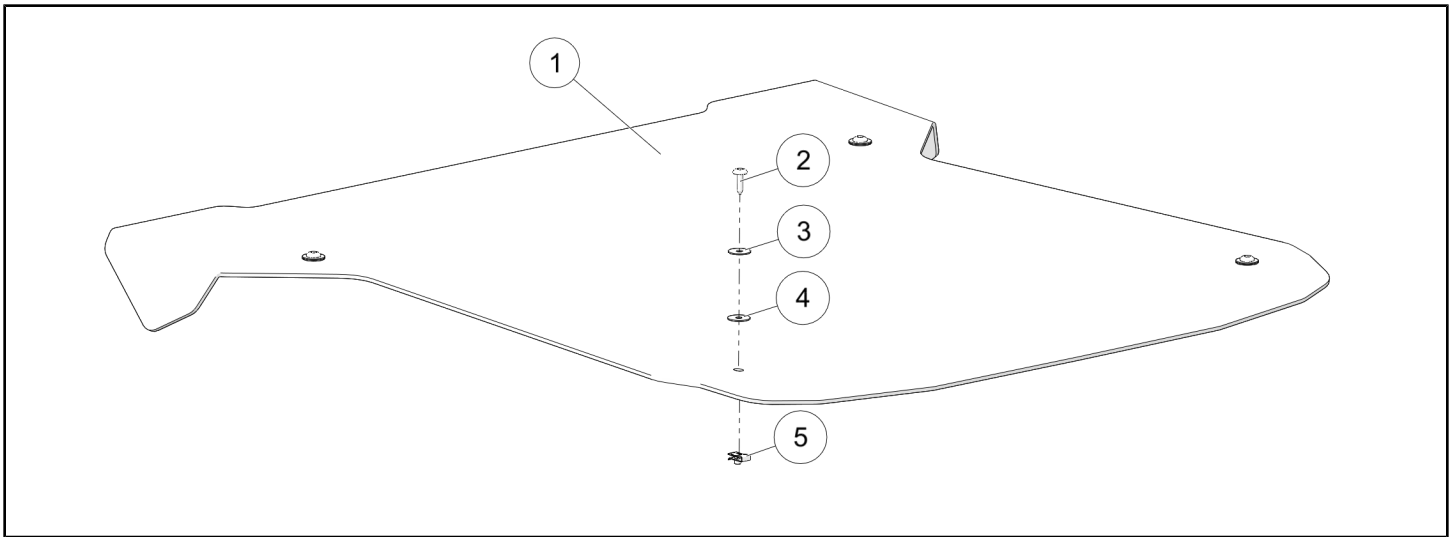
RZR 1000, RZR 900, RZR 900 S

BEFORE YOU BEGIN

Read these instructions and check to be sure all parts and tools are accounted for. Please retain these installation instructions for future reference and parts ordering information.

KIT CONTENTS

This Kit includes:



REF	QTY	PART DESCRIPTION	PART NUMBER
1	1	Roof Panel, Poly	—
2*	4	Screw, Torx, M6 X 1.0 X 25	—
3*	4	Washer, Steel - 0.281 X 1.00 X 0.051	—
4*	4	Washer, Rubber - 0.281 X 1.00 X 0.051	—
5*	4	Clip - U Speed Nut	—
6	1	Foam Tape (not shown)	—
	1	Instructions	9925208

Items marked (*) are included in Hardware Kit PN 2206019.

TOOLS REQUIRED

- Safety Glasses
- Torx Driver

IMPORTANT

Your POLY ROOF KIT is exclusively designed for your vehicle. Please read the installation instructions thoroughly before beginning. Installation is easier if the vehicle is clean and free of debris. For your safety, and to ensure a satisfactory installation, perform all installation steps correctly in the sequence shown.

ASSEMBLY TIME

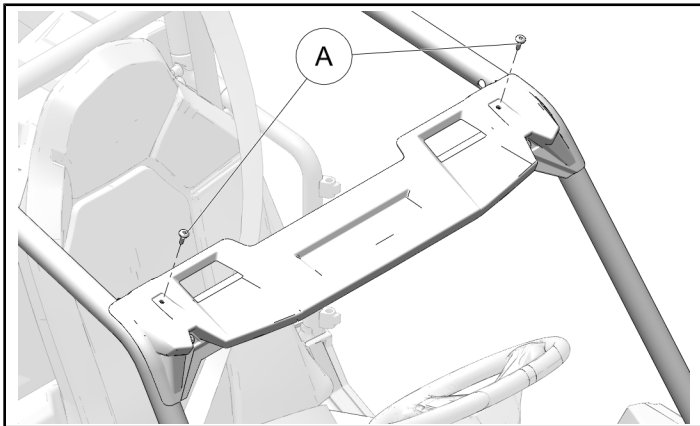
Approximately 10 minutes

INSTALLATION INSTRUCTIONS

1. Remove two rear screws (A) from upper trim as shown in figure. Screws will not be reused.

NOTE

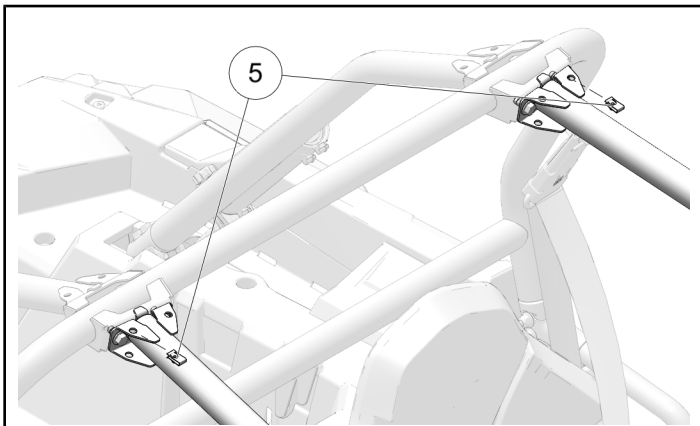
Do not remove forward trim screws. Roof ① will be installed on top of trim.



2. Insert two nut clips ⑤ onto rear frame outer flanges as shown in figure. Inner flanges will not be used.

NOTE

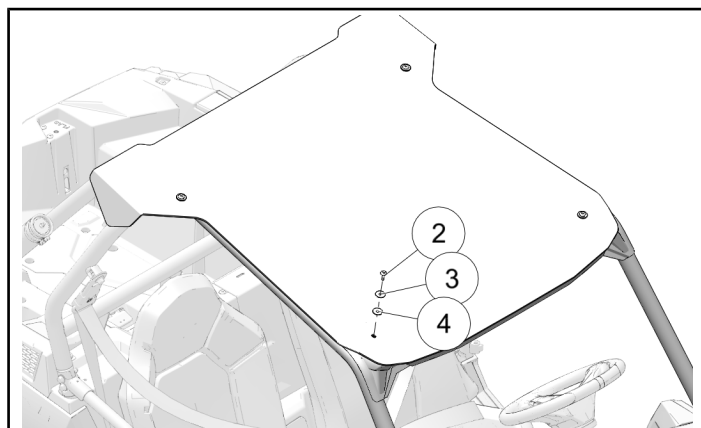
Rear nut clips beneath upper trim may be reused if in good condition, or replaced with new nut clips ⑤.



3. Cut and apply foam tape ⑥ on top of ROPS where it will contact roof.
4. Mount roof ① on ROPS, aligning all four fastener holes with nut clips ⑤.
5. Loosely install screw ② through steel washer ③, rubber washer ④, and roof ① into nut clip ⑤. Repeat at remaining corners.

IMPORTANT

Ensure steel washer ③ is under screw head, and rubber washer ④ is against roof ①.



6. Torque all screws to specification.

TORQUE

8 ft. lbs. (10.9 Nm)