

# GLASS WINDSHIELD KIT



P/N 2883753, 2884625

## APPLICATION

Verify accessory fitment at [www.polaris.com](http://www.polaris.com).

### IMPORTANT

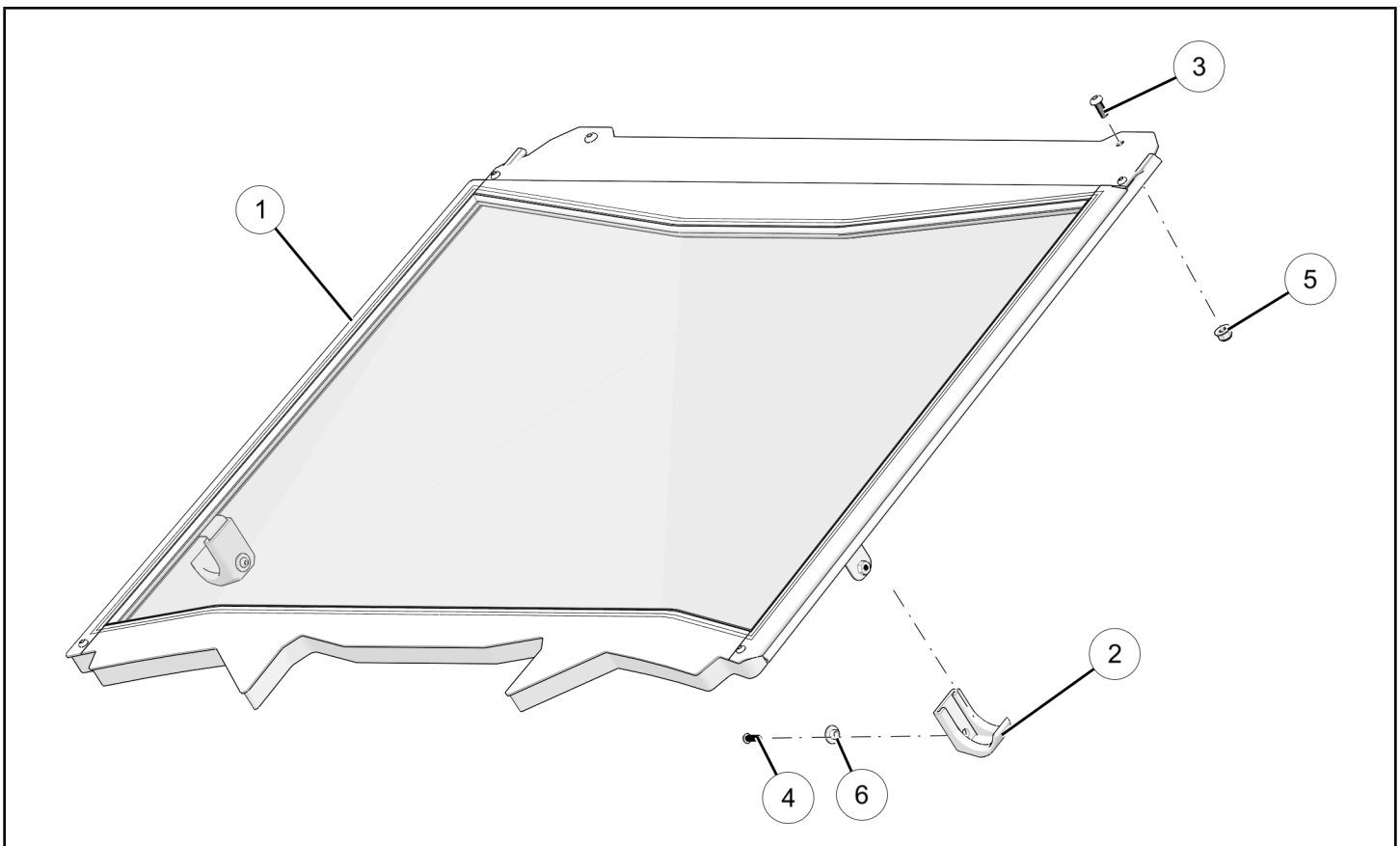
Glass Windshield Kit, P/N 2883753 is not compatible with lightbar-equipped aluminum roofs. Install Glass Windshield Kit, P/N 2884625 if aluminum roof with lightbar pocket is installed.

## BEFORE YOU BEGIN

Read these instructions and check to be sure all parts and tools are accounted for. Please retain these installation instructions for future reference and parts ordering information.

## KIT CONTENTS

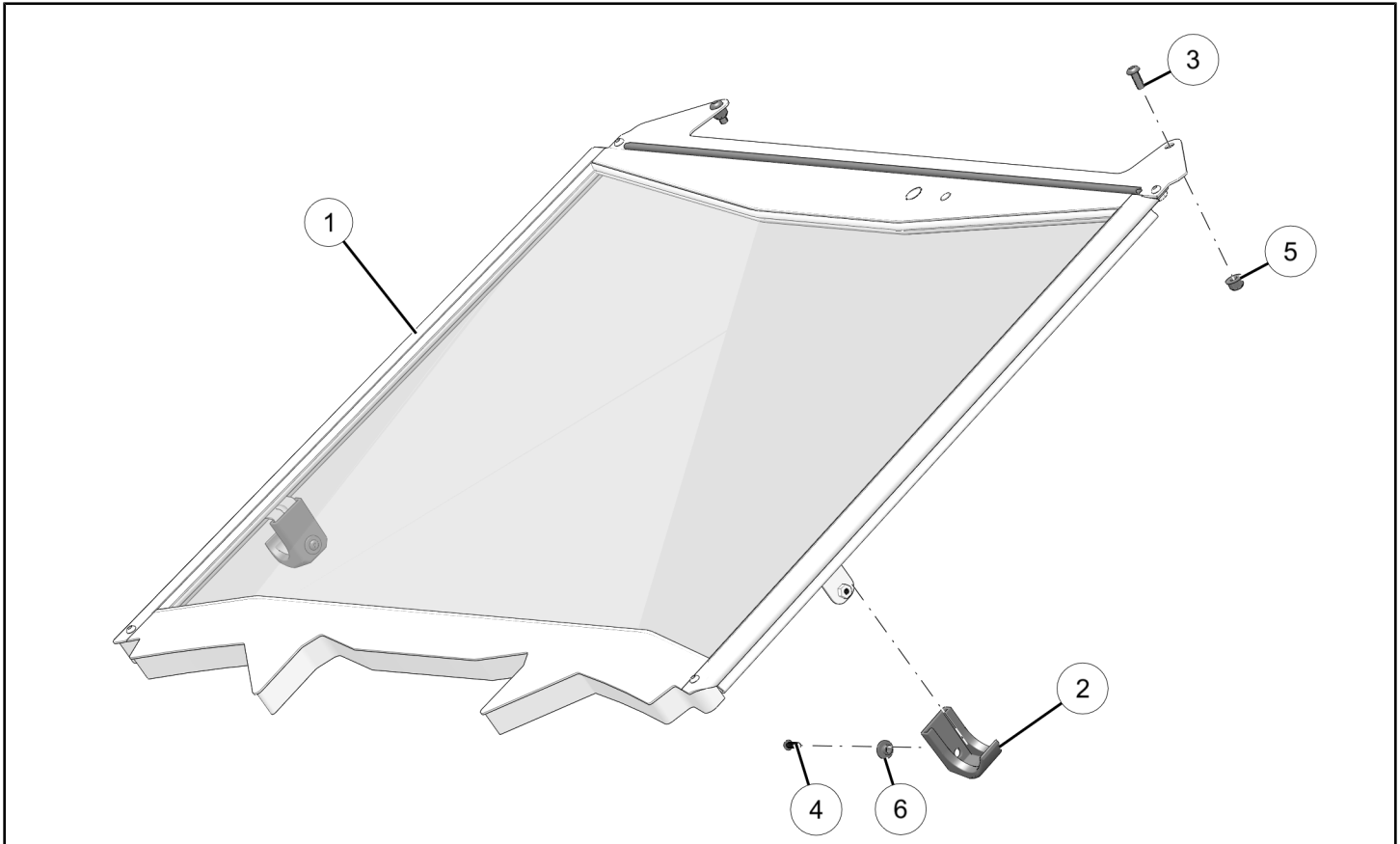
### GLASS WINDSHIELD KIT, P/N 2883753



REF	QTY	PART DESCRIPTION	P/N AVAILABLE SEPARATELY	AVAILABLE SERVICE KIT
1	1	Assembly–Windshield, Glass	2637518	n/a
2	2	Clamp–Windshield, Glass	5456093	n/a
3	2	Screw–Cap, M8 x 1.0 mm x 20	n/a	2207986

REF	QTY	PART DESCRIPTION	P/N AVAILABLE SEPARATELY	AVAILABLE SERVICE KIT
4	2	Screw–Cap, M6 x 1.0 mm x 18	n/a	2207986
5	2	Nut–Hex Flange, M8 x 1.0	n/a	2207986
6	2	Flange Sleeve	n/a	2207986
7	1	Trim–Roof, Windshield, Glass (not shown)	n/a	n/a

### GLASS WINDSHIELD KIT, P/N 2884625



REF	QTY	PART DESCRIPTION	P/N AVAILABLE SEPARATELY	AVAILABLE SERVICE KIT
1	1	Assembly–Windshield, Glass, Pocket	2637951	n/a
2	2	Clamp–Windshield, Glass	5456093	n/a
3	2	Screw–Cap, M8 x 1.0 mm x 20	n/a	2207986
4	2	Screw–Cap, M6 x 1.0 mm x 18	n/a	2207986
5	2	Nut–Hex Flange, M8 x 1.0	n/a	2207986
6	2	Flange Sleeve	n/a	2207986
7	1	Trim–Roof, Windshield, Glass (not shown)	n/a	n/a

## TOOLS REQUIRED

- Safety Glasses
- Wrench Set, Metric
- Socket Set, Metric
- Torque Wrench

## IMPORTANT

Your Glass Windshield Kit is exclusively designed for your vehicle. Please read the installation instructions thoroughly before beginning. Installation is easier if the vehicle is clean and free of debris. For your safety, and to ensure a satisfactory installation, perform all installation steps correctly in the sequence shown.

## INSTALLATION INSTRUCTIONS

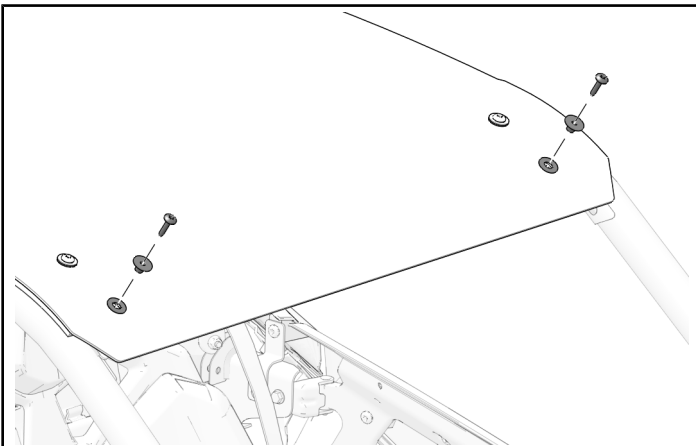
### NOTICE

Two installers are recommended for this installation.

## VEHICLE PREPARATION

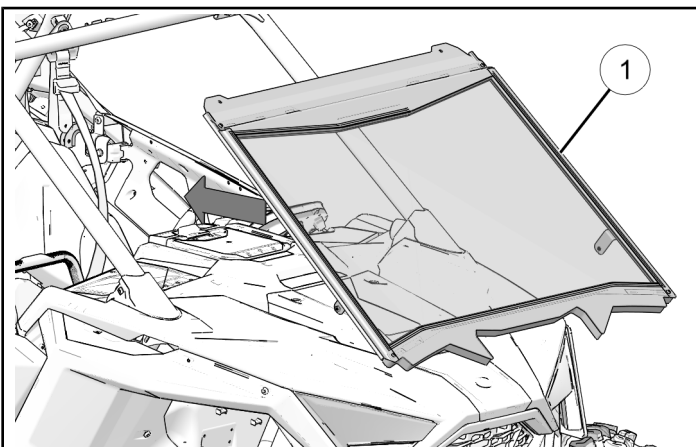
### GENERAL

1. Shift vehicle transmission into PARK. Turn key to OFF position and remove from vehicle.
2. Aluminum Roof-equipped vehicles:  
Remove and retain hardware from two front-most locations. Hardware will be used to install windshield.



## ACCESSORY INSTALLATION

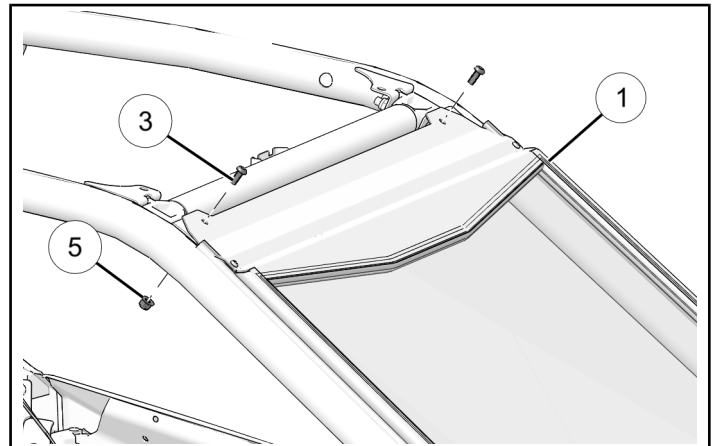
1. Place windshield ① atop hood and lean against ROPS.



2. Install top of windshield ① to ROPS brackets.
  - Use two fasteners ③ and two nuts ⑤.

### TORQUE

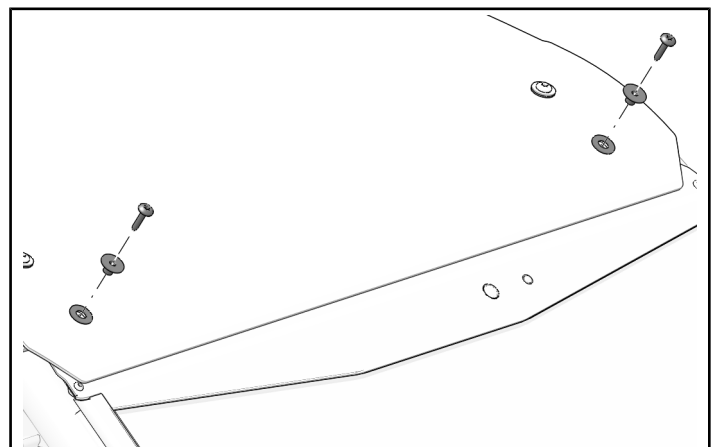
Top Mounting Fasteners ③:  
16 ft-lbs (22 N·m)



- Aluminum Roof-equipped vehicles:  
Use roof hardware for this mounting location. Ensure windshield mounting bracket is installed between roof and ROPS.

### TORQUE

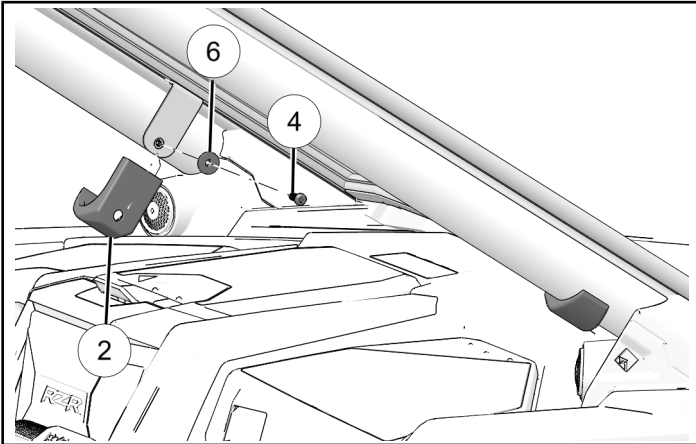
Roof Fasteners:  
8 ft-lbs (11 N·m)



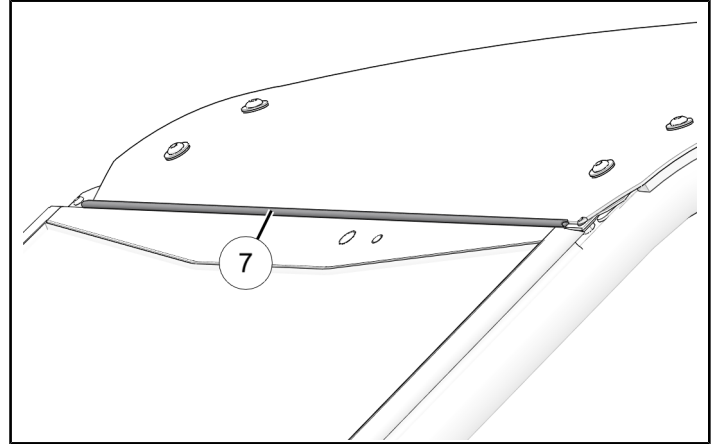
3. Slide two windshield clamps ② onto windshield frame. With clamps ② tightly wrapped around ROPS, secure to windshield frame with two flange sleeves ⑥ and two fasteners ④.

#### TORQUE

Clamp Fasteners ④:  
8 ft-lbs (11 N·m)



4. Aluminum Roof-equipped vehicles:  
Install trim piece ⑦ onto front edge of roof to prevent contact between windshield and roof.



## FEEDBACK FORM

A feedback form has been created for the installer to provide any comments, questions or concerns about the installation instructions. The form is viewable on mobile devices by scanning the QR code or by clicking [HERE](#) if viewing on a PC.

