

# 3500 WINCH KIT



P/N 2881671

## APPLICATION

RZR XP 1000 ALL MODEL YEARS, 900 MY15 AND NEWER

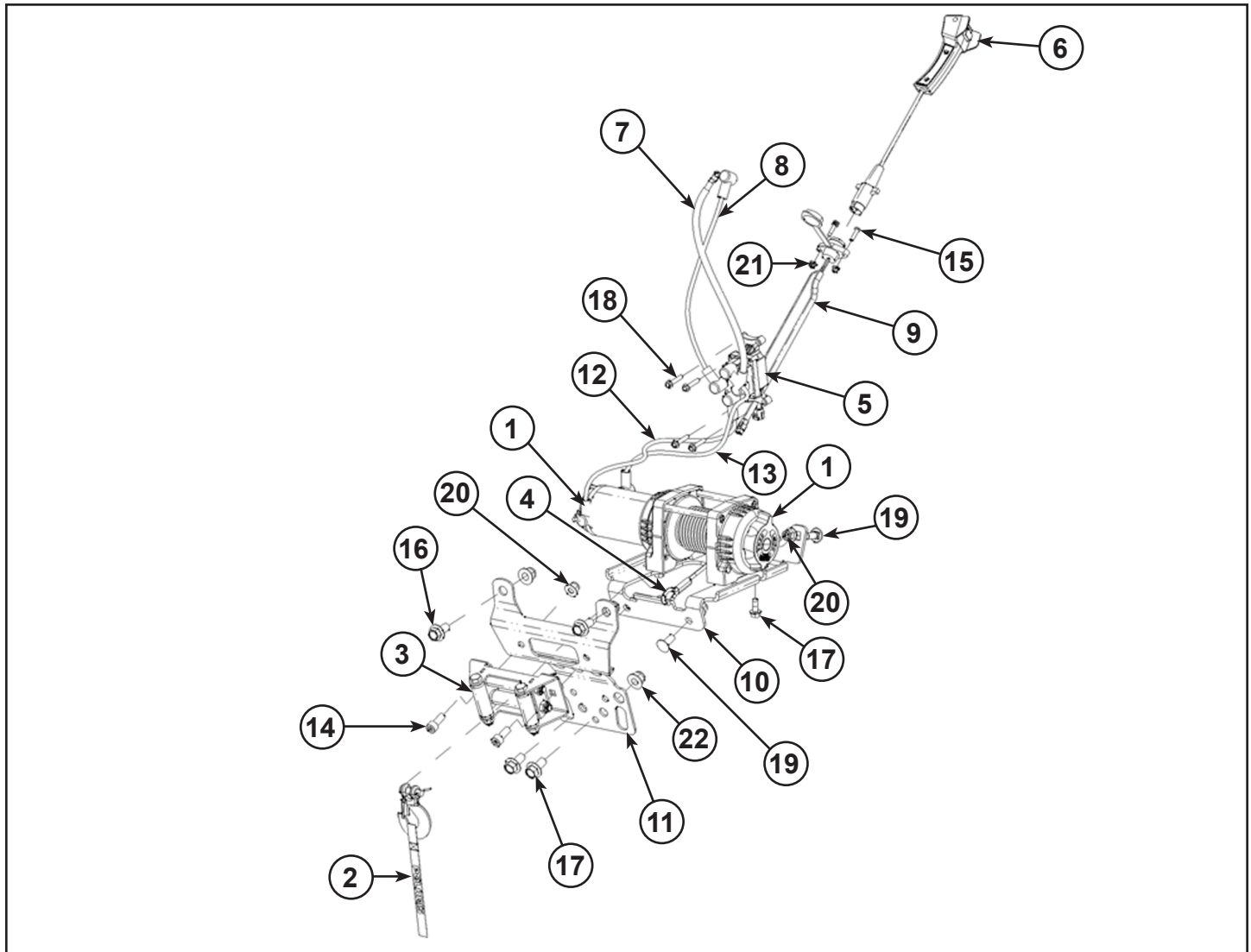
## BEFORE YOU BEGIN

Before you begin, read these instructions twice and check to be sure all parts and tools are accounted for. Please retain these installation instructions for future reference and parts ordering information.

**NOTE:** You must order power cables separately to connect your battery to the vehicle bus bar.

- MY14/15 2 Passenger models: 2879862
- MY14/15 4 Passenger models: 2880055
- MY16 2 Passenger models: 2881551
- MY16 4 Passenger models: 2881646

## KIT CONTENTS



Ref	Qty	Part Description	Part Number
1	1	Winch-Polaris, 3.5	2204688
2	1	Hook-Latch, Winch	2411836
3	1	Roller-Fairlead, Winch	2411848
4	1	Cable-Winch, Steel, 3/16"	2878890
5	1	Contactoer Winch	4015095
6	1	Remote-Switch, Winch	4013466
7	1	Power Cable, Winch, Black, 6 GA	4013470-375
8	1	Power Cable, Winch, Red, 6 GA	4013471-375
9	1	Remote Socket-Winch, Long	4014228
10	1	Mount Bracket-Winch	5257962
11	1	Fairlead Mount Bracket	5257963
12	1	Cable-Winch, Yellow, 6 GA	4013468-480
13	1	Cable-Winch, Blue, 6 GA	4013469-400
14*	6	Screw-SH-M10 X 1.5 X 25	-
15*	2	Screw-TXPH-M5 X 0.8 X 20	-
16*	4	Screw-HXFL-M12 X 1.75 X 25	-
17*	4	Screw-HXFL-M8 X 1.25 X 20	-
18*	4	Screw-HXFL-M6 X 35	-
19*	2	Screw-RHCAR-M10 X 1.5 X 25	-
20*	6	Nut-M10 X 1.5	-
21*	2	Nut-M5 X 0.8	-
22*	4	Nut-HXFL-M12 X 1.75	-
	1	Winching Guide	9923644
	1	Instructions	9926743
		Internal Cam Service Kit (includes internal cam for freespool handle to connect winch to a replaceable handle, purchase handle separately)	2205497
		Service Handle (includes freespool handle and screw)	2205265

ITEMS MARKED (\*) ARE INCLUDED IN HARDWARE KIT PN 2205119.

## TOOLS NEEDED

Standard and Metric Socket Set  
Drill and Drill Bit Set

Standard and Metric Wrench Set  
1 1/16" Hole Saw or Drill

Phillips Screwdriver  
Torque Drivers

## APPROXIMATE ASSEMBLY TIME

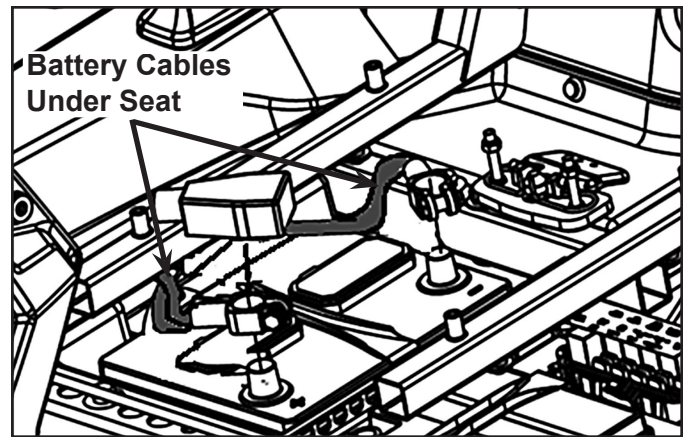
45 mins

## IMPORTANT

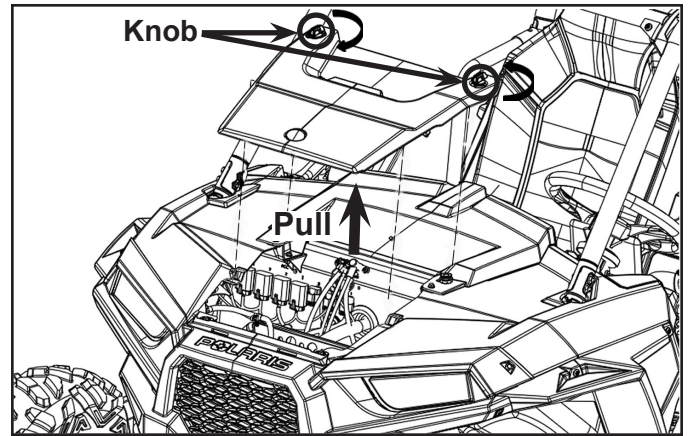
Your Polaris 3500 WINCH KIT is exclusively designed for your vehicle. Please read the installation instructions thoroughly before beginning. Installation is easier if the vehicle is clean and free of debris. For your safety, and to ensure a satisfactory installation, perform all installation steps correctly in the sequence shown.

## INSTALLATION INSTRUCTIONS

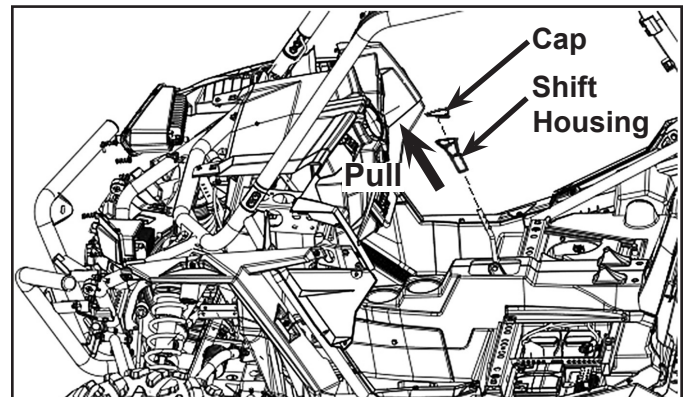
1. Turn key to "OFF" position and remove key from vehicle. Remove front and rear seats. Disconnect black negative cable from battery. Disconnect red positive cable from battery.



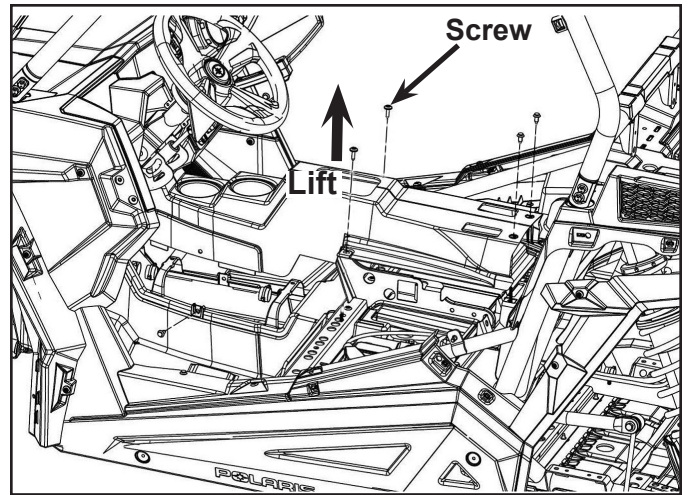
2. Remove the hood from the vehicle by twisting the two knobs and pulling up.



3. Remove the shift lever cap by using a flat screwdriver to remove the cap of the shift handle. Remove the handle screw with a T25 Torx bit retaining it for reuse and pull up to remove the handle from the shift lever weldment.



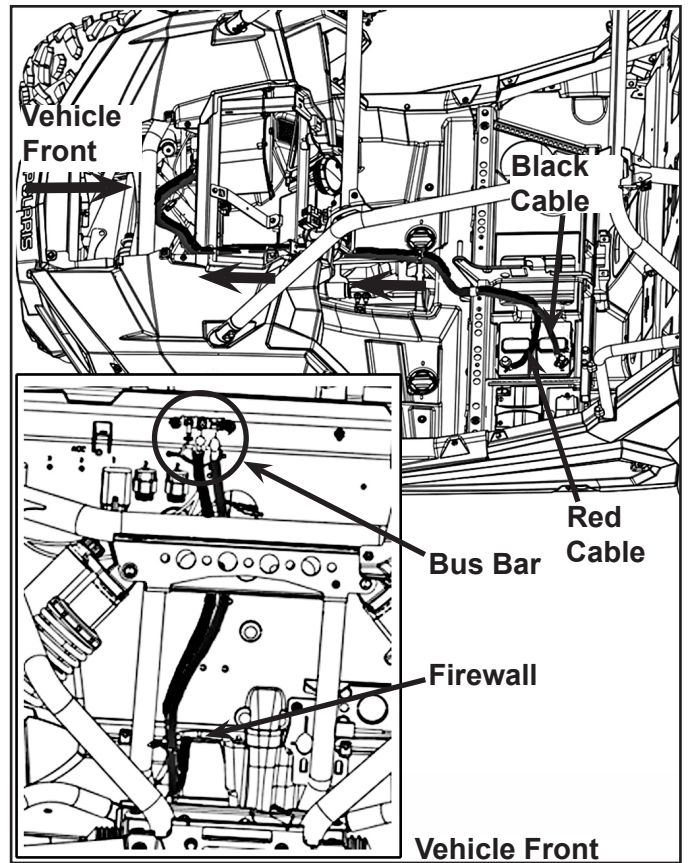
4. After removing shift lever cap and shift handle, take off the center console by removing the two screws (PN 7519650) and the four tuff lock rivets (PN 7661855).



5. Route the cable (Not included with this kit see Page 1) having red and black wires from bus bar to the battery. Clip the harness to specified locations.

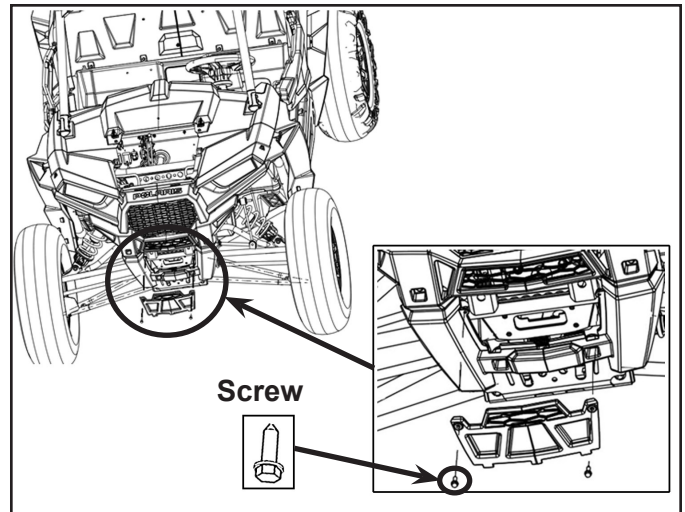
**NOTE:** The red and black wires are supplied with the kit.

**IMPORTANT:** Do not connect the wire to the battery terminal at this step.

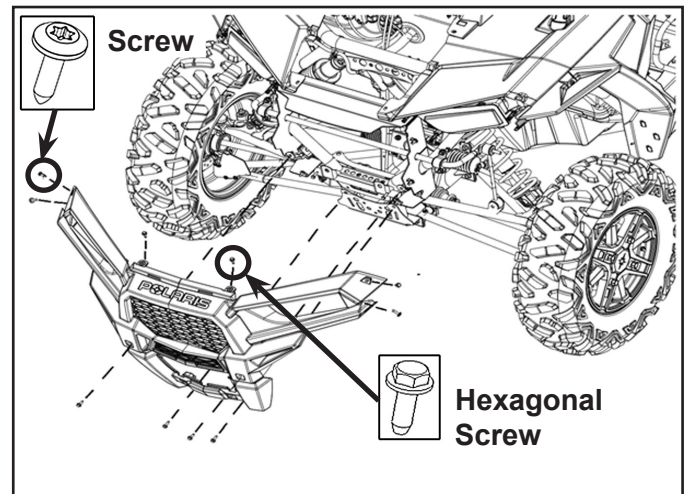




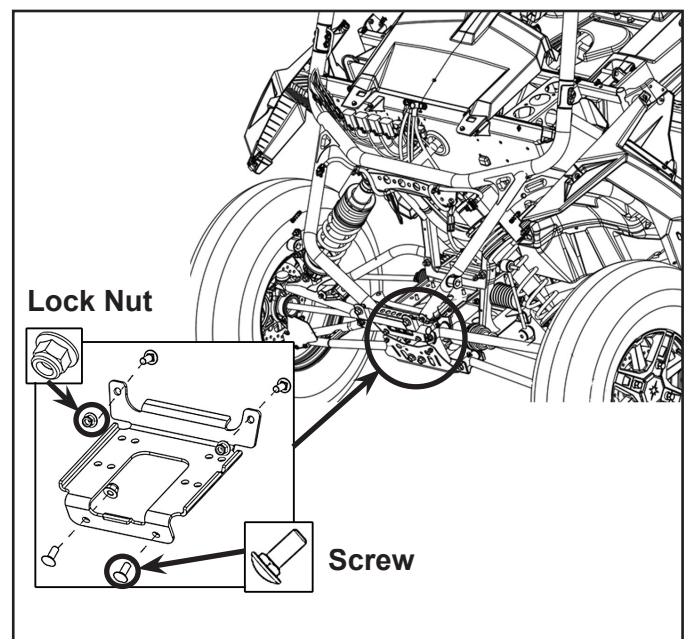
6. Detach the plastic plate by removing two screws (PN 7518980).



7. Take off the front fascia by removing six hexagonal screws (PN 7518529) and four screws (PN 7519650).

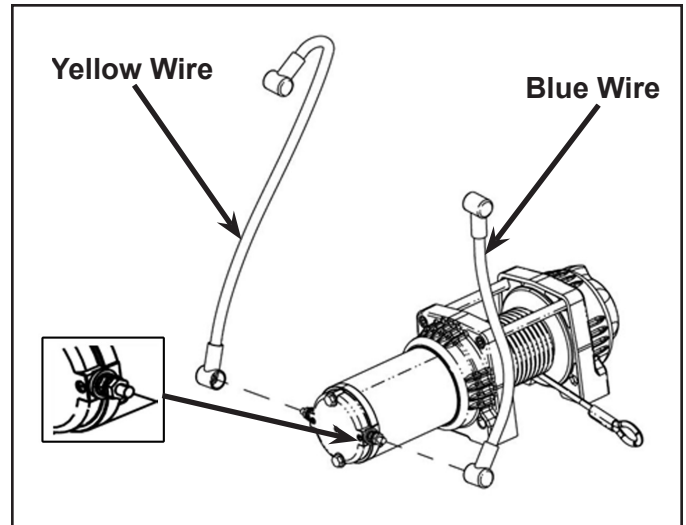


8. Mount the winch plate onto the vehicle with four screws (PN 7519372) and lock nuts (PN 7547423).

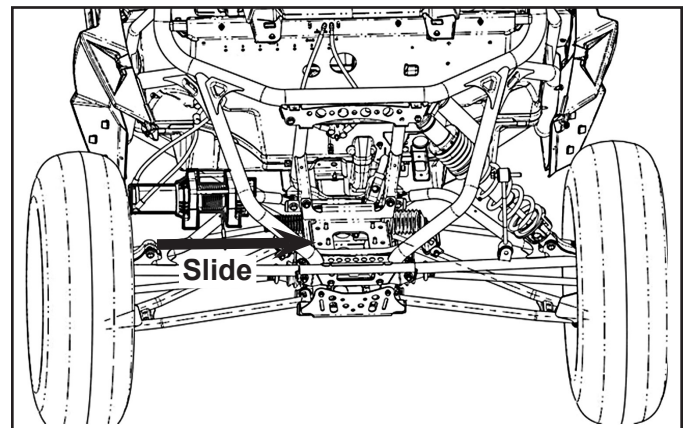


9. Connect the wires to the winch before installing it onto the vehicle.

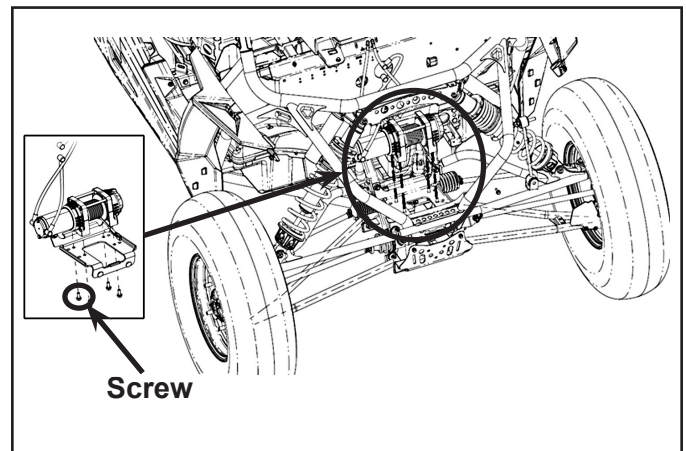
**NOTE:** Connect blue wire to the blue terminal and yellow wire to the yellow terminal (color coding is already provided on winch).



10. Slide winch (PN 2204688 and PN 2204855) from left to right direction on the plate.

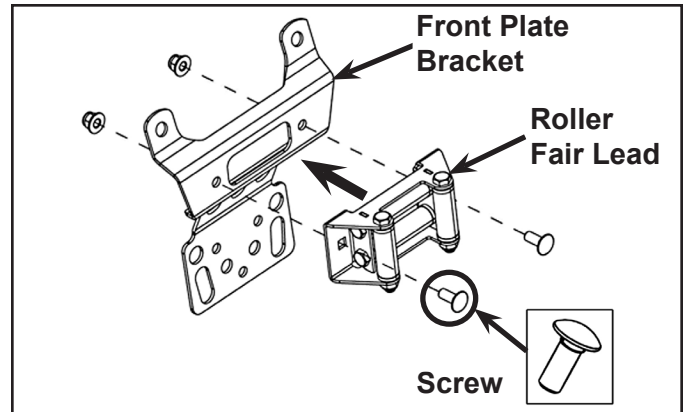


11. Mount and fix the winch (PN 2204688 and PN 2204855) onto the plate with four screws (PN 7519133).



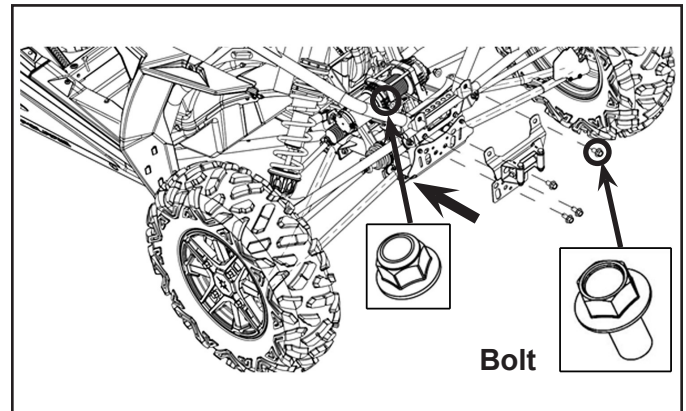
12. Lead mounting:

Mount the roller fair lead (PN 2411848) onto the front plate bracket (PN 5257963) with two screws (PN 7519372) and nuts (PN 7547423).



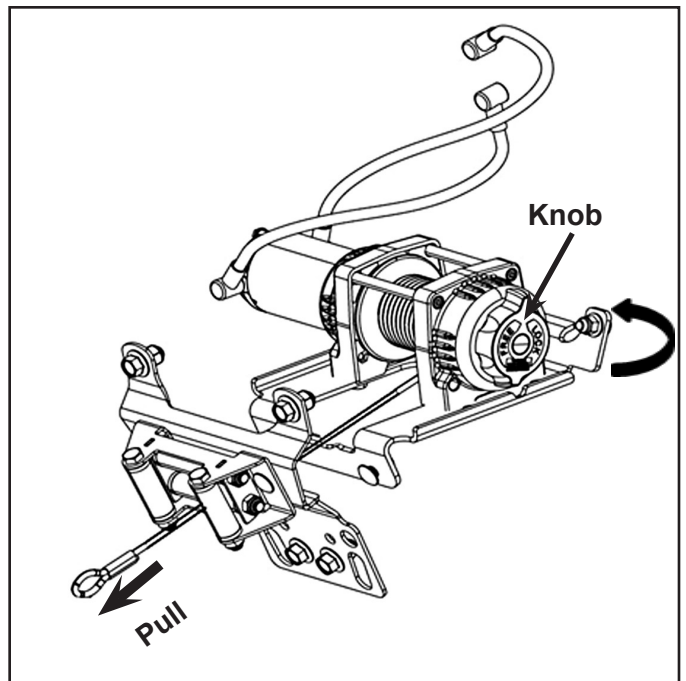
13. Front Plate Bracket installation:

Install the front plate bracket (PN 5257963) with roller fair lead (PN 2411848) as subassembly on the vehicle with the four bolts (PN 7519072) and nuts (PN 7547441).



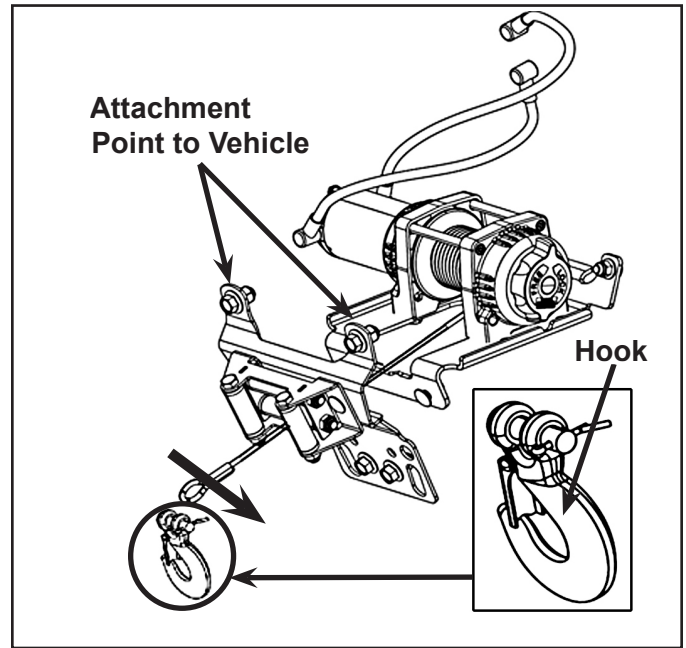
14. Cable installation:

Twist the knob on the winch (PN 2204688) and insert the cable through front plate bracket (PN 5257963) and roller fair lead (PN 2411848) to move the cable freely.



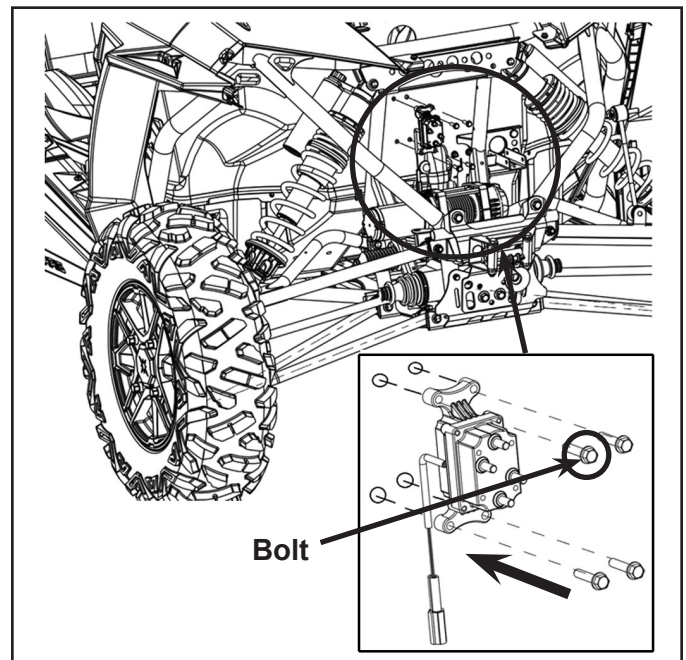
15. Hook attachment:

Attach the hook (PN 2411836) with the cable by inserting the clip through it.



16. Mount the winch contactor (PN 4015095) on the firewall with the four bolts (PN 7519330) at the specified drilled holes.

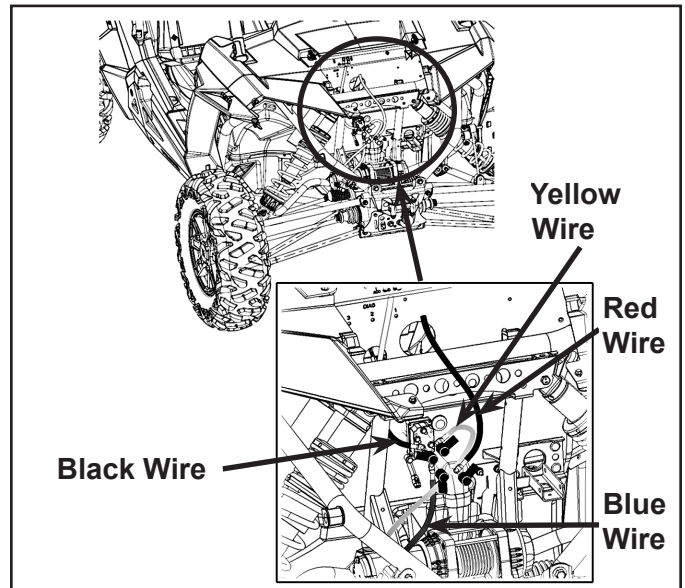
**NOTE:** Ensure that the yellow color code on the contactor is on top.



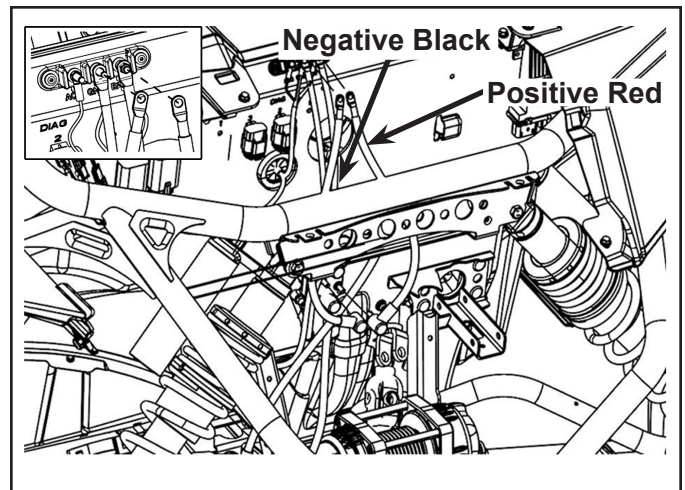


17. Connect the blue (PN 4013469), yellow (PN 4013468), red and black wires to the contactor terminals and put the caps.

**NOTE:** Color coding for terminals will be on contactor (PN 4015095).

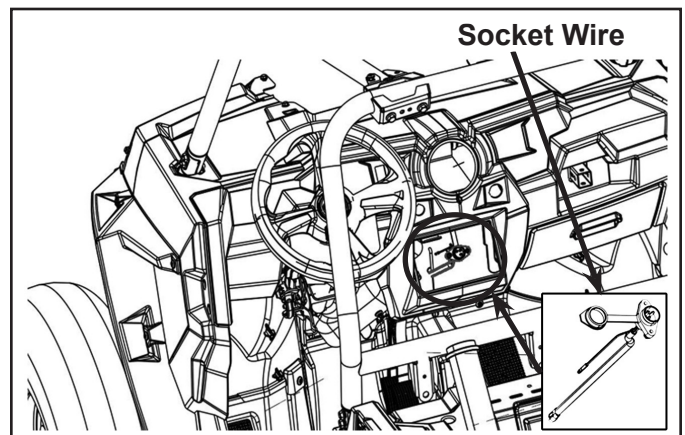


18. Hook up the negative (black) and positive (red) terminals to the bus bar.

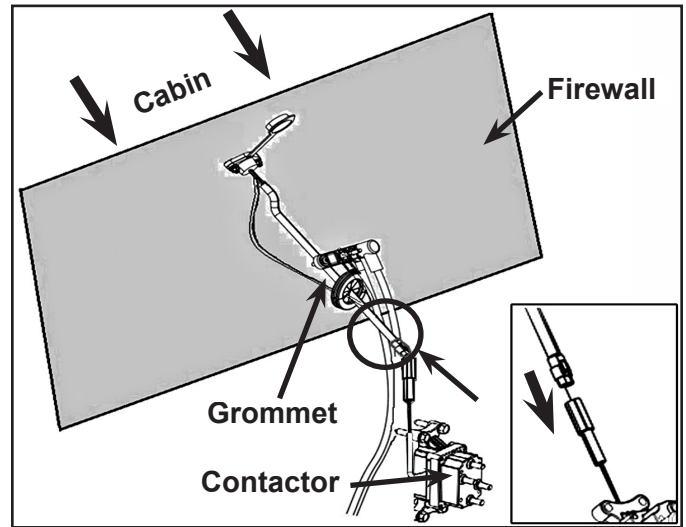


19. Feed the socket wires from inside of cab through the grommet in the firewall.

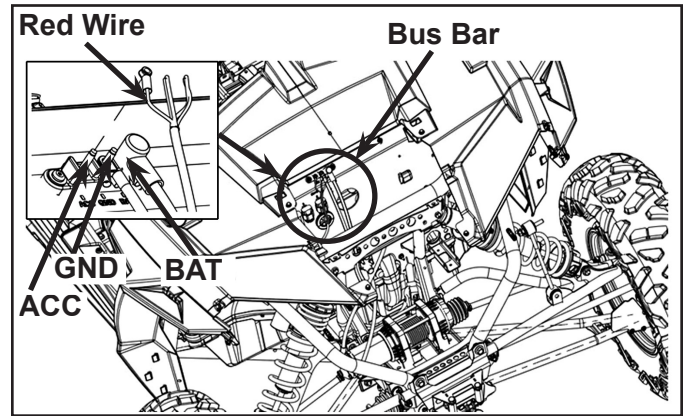
**NOTE:** Socket position may change as per requirement.



20. Plug in the socket wire connector to the contactor connector (PN 4013465).



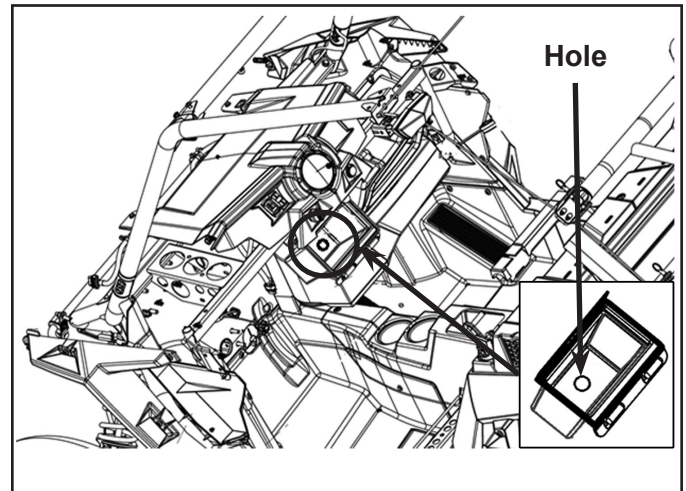
21. Connect the red socket wire to the accessory bus bar.



22. Cut out a hole in the din box for mounting the socket (PN 4014228).

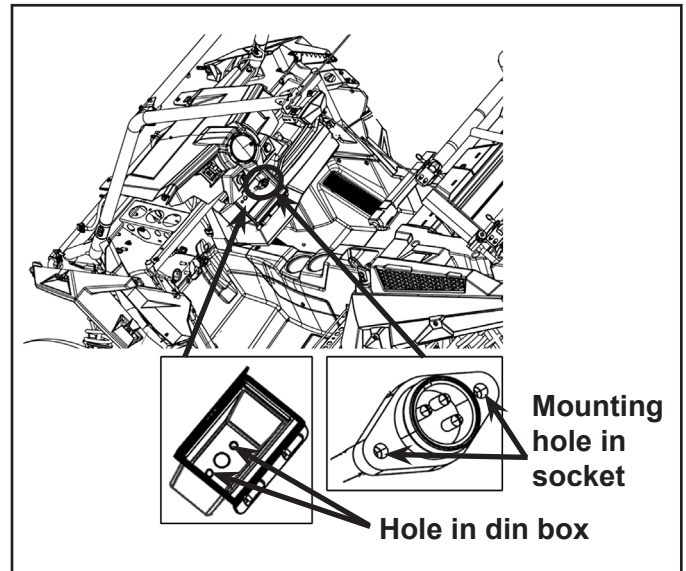
**NOTE:** Follow the instruction on the back of the din for the cutout.

**NOTE:** You may move the location of this hole if necessary, just check their lengths before drilling holes.



23. Drill the mounting holes to the specified location around the cut out of the socket on the back of din box.

**NOTE:** Use 1/4" drill bit.



24. Attach socket (PN 4014228) onto the din box with two bolts (PN 7518980) and two nuts (PN 7547427), at specified position.

25. Install the remote with the socket which is attached to the din box.

26. Connect the negative and positive cable to the battery which was disconnected in Step 1.

27. Attach the front fascia, center hood, center console, shift lever housing with cap and finally install the seat to its position which were disconnected in Steps 7, 2, 4, 3 and 1 respectively.

