

# WINCH COVER KIT



**P/N 2884118**

## APPLICATION

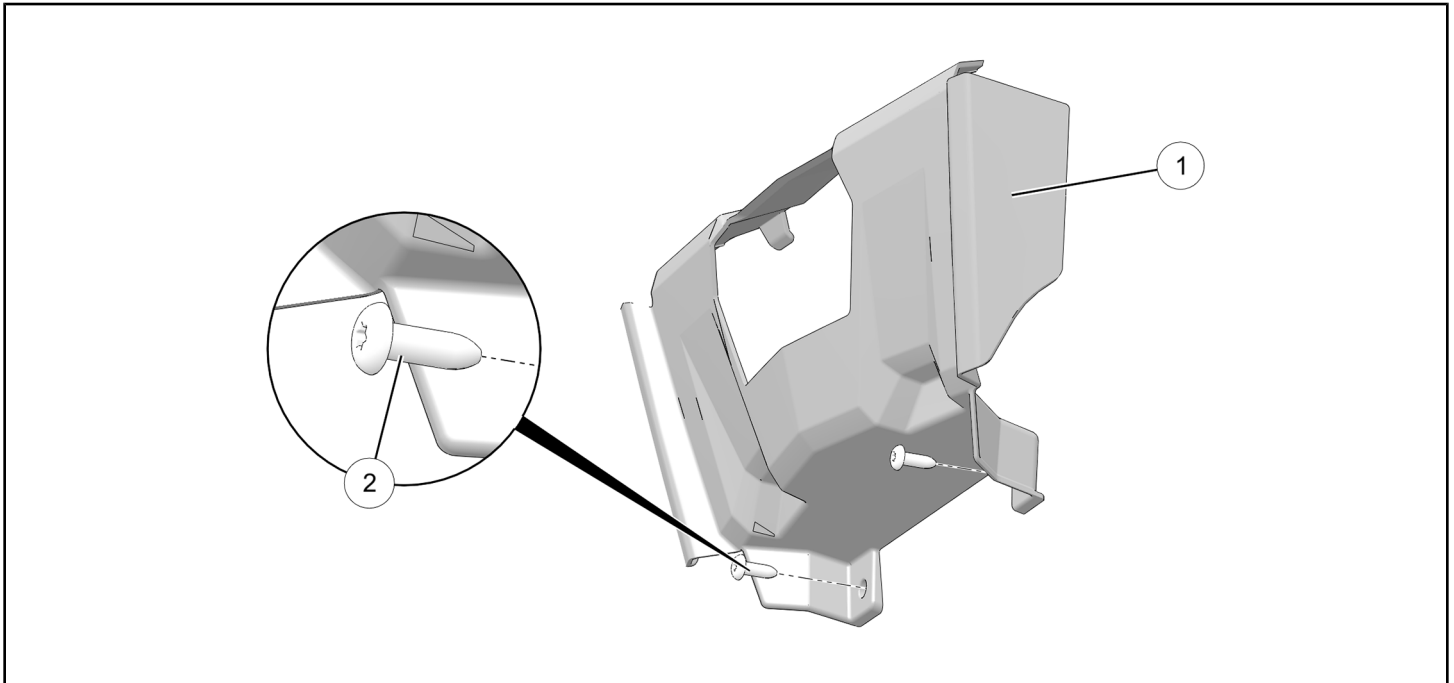
Verify accessory fitment at [Polaris.com](http://Polaris.com).

## BEFORE YOU BEGIN

Read these instructions and check to be sure all parts and tools are accounted for. Please retain these installation instructions for future reference and parts ordering information.

## KIT CONTENTS

This Kit includes:



REF	QTY	PART DESCRIPTION	PART NUMBER
1	1	Winch Cover	-
2	2	Screw, Torx® Truss Head, High/Low - #14 X 3/4	7519045
	1	Instructions	9929500

## TOOLS REQUIRED

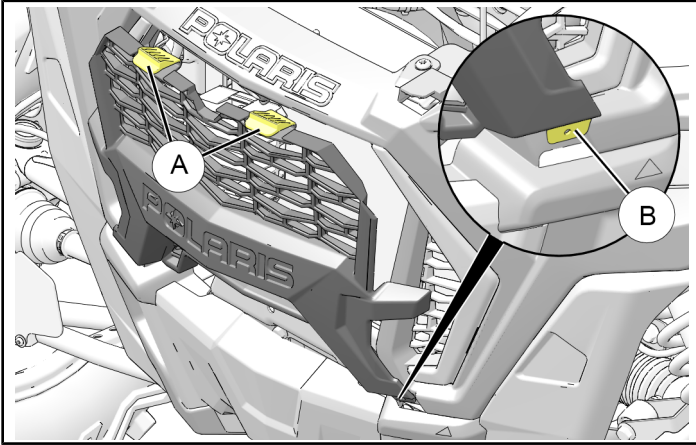
- Safety Glasses
- Screwdriver Set, Torx®

## IMPORTANT

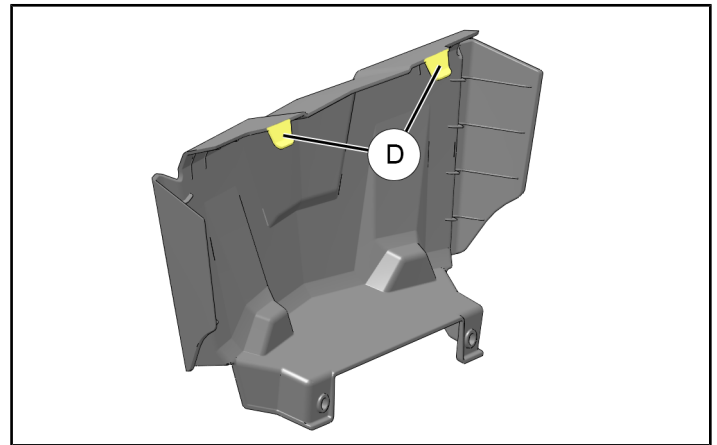
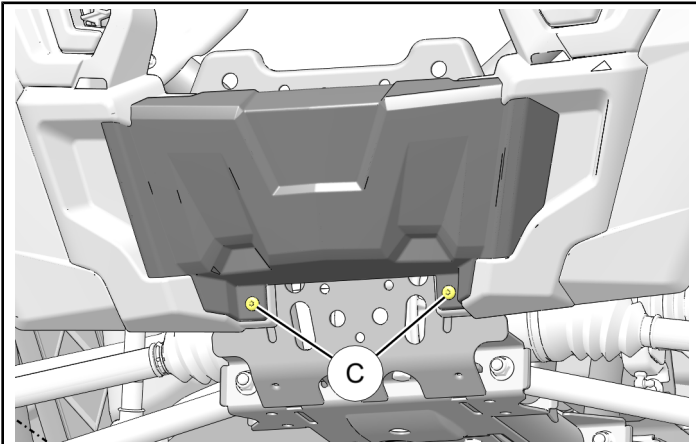
Your Winch Cover Kit is exclusively designed for your vehicle. Please read the installation instructions thoroughly before beginning. Installation is easier if the vehicle is clean and free of debris. For your safety, and to ensure a satisfactory installation, perform all installation steps correctly in the sequence shown.

## INSTALLATION INSTRUCTIONS

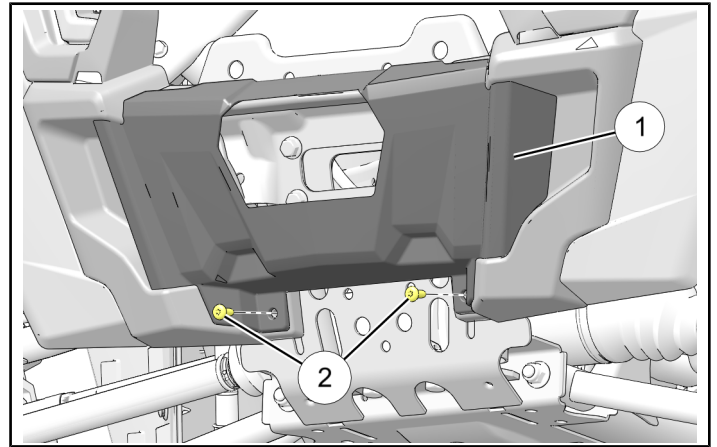
1. Shift vehicle transmission into "PARK". Turn ignition switch to "OFF" position and remove key.
2. Remove front grille by depressing two tabs **A** at top of grille, tip grille slightly outward, then lift to disengage two lower tabs **B** (LH and RH).



3. Remove existing winch cover (lower front fascia) by removing two screws **C**, then tilt bottom of cover slightly forward and lift to disengage two upper tabs **D**. Screws will not be reused.



4. Install new winch cover **1** by inserting two upper tabs, then installing two screws **2**.



5. Reinstall front grille.

## FEEDBACK FORM

A feedback form has been created for the installer to provide any comments, questions or concerns about the installation instructions. The form is viewable on mobile devices by scanning the QR code or by clicking [HERE](#) if viewing on a PC.

### FEEDBACK FORM

