

INTERIOR ACCENT TRIM KIT



SLINGSHOT

P/N 2884789-XXX

DISCLAIMER ACCESSORY WEIGHT

When adding accessories, equipment, passengers and luggage to your vehicle, do not exceed the total weight capacity of the vehicle or of the front or rear axle (GVWR or GAWR as indicated on the Safety Compliance Certification label). Ask an authorized dealer for specific weight information if you need assistance. It is the owner's responsibility to use the Polaris Slingshot Accessories website as a tool for limiting the amount of accessories, based on maximum allowable vehicle weight requirements. It may be a violation of the Clean Air Act or the NHTSA regulations to disregard these requirements. For a complete listing of the accessories that are available for your vehicle, please contact your authorized dealer or visit the online store web site: Web Address (United States): <http://www.polaris.com/en-us/slingshot/shop/accessories>.

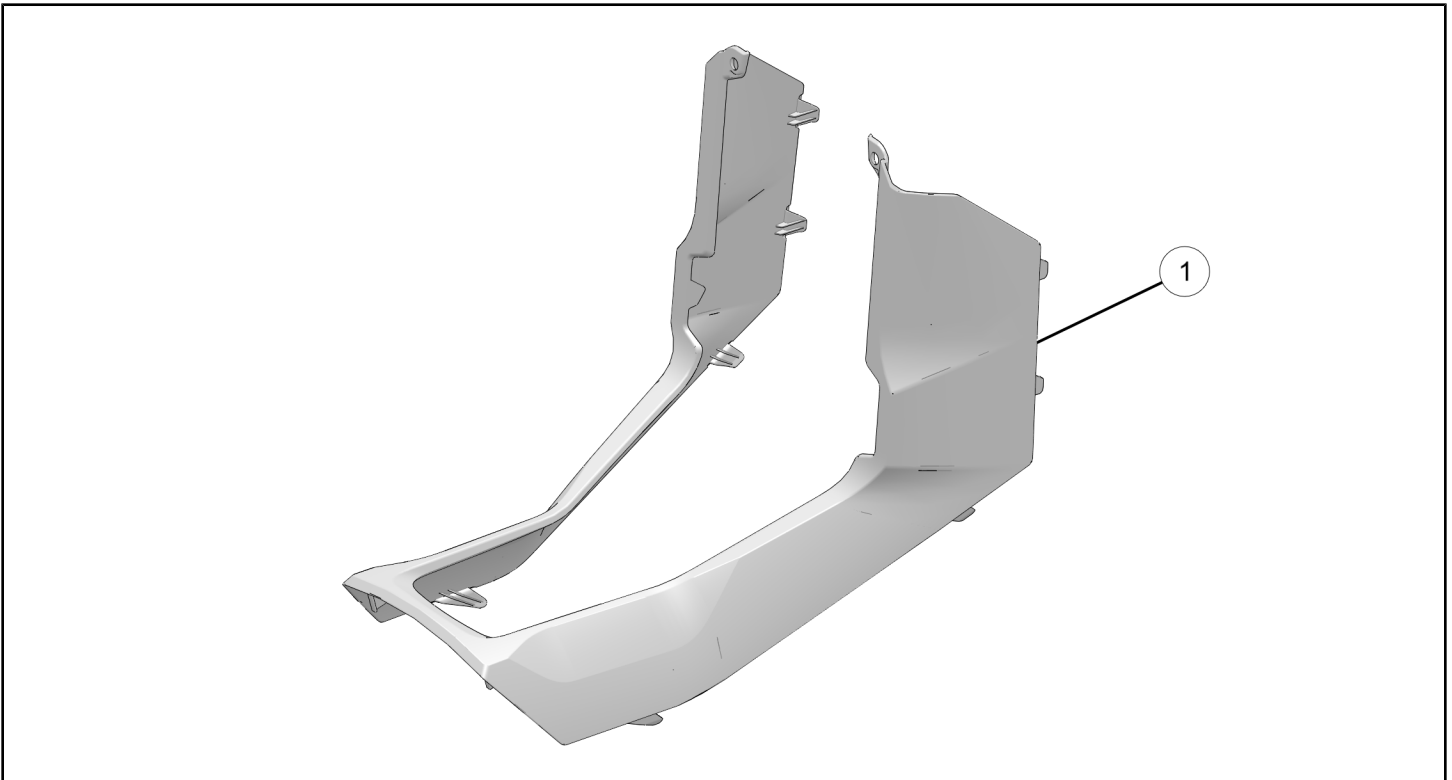
BEFORE YOU BEGIN

Read these instructions and check to be sure all parts and tools are accounted for. Please retain these installation instructions for future reference and parts ordering information.

APPLICATION

Verify accessory fitment at www.polarisslingshot.com.

KIT CONTENTS



REF	QTY	PART DESCRIPTION	P/N AVAILABLE SEPARATELY
1	1	Trim-Console	n/a

TOOLS REQUIRED

- Safety Glasses
- Pliers, Push Pin Rivet
- Pry Tool
- Socket Set, Hex Bit, Metric
- Socket Set, Torx® Bit
- Torque Wrench

IMPORTANT

Your Interior Accent Trim Kit is exclusively designed for your vehicle. Please read the installation instructions thoroughly before beginning. Installation is easier if the vehicle is clean and free of debris. For your safety, and to ensure a satisfactory installation, perform all installation steps correctly in the sequence shown.

INSTALLATION INSTRUCTIONS

VEHICLE PREPARATION

GENERAL

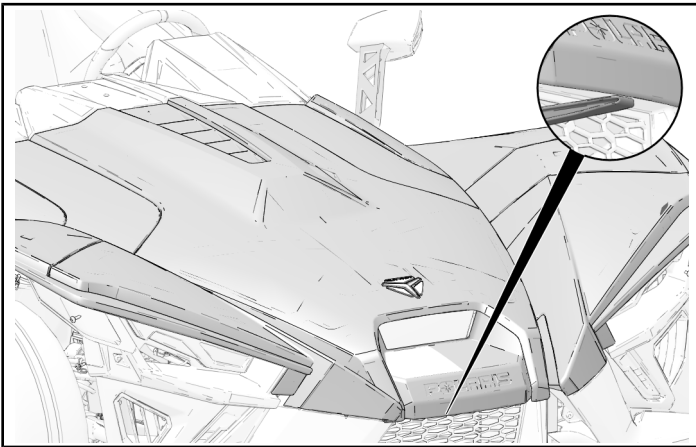
1. Park vehicle on a flat surface.
2. Shift vehicle to NEUTRAL.
3. Press START/STOP button to turn vehicle OFF.
4. Remove key fob from proximity of vehicle.

OPENING HOOD

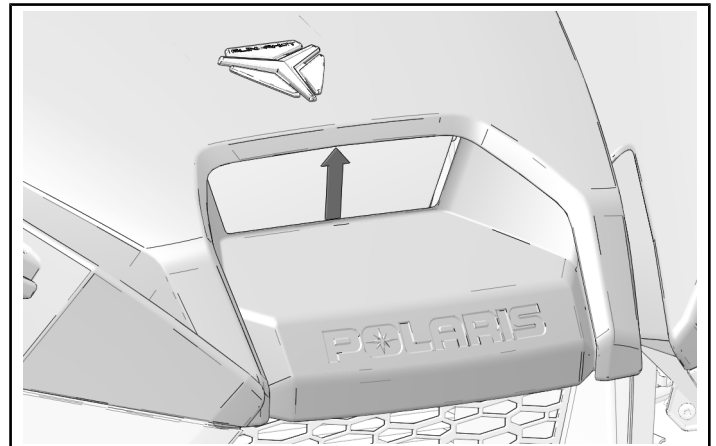
NOTICE

Do not open hood using plastic directly above hood release lever. This will lead to cracking.

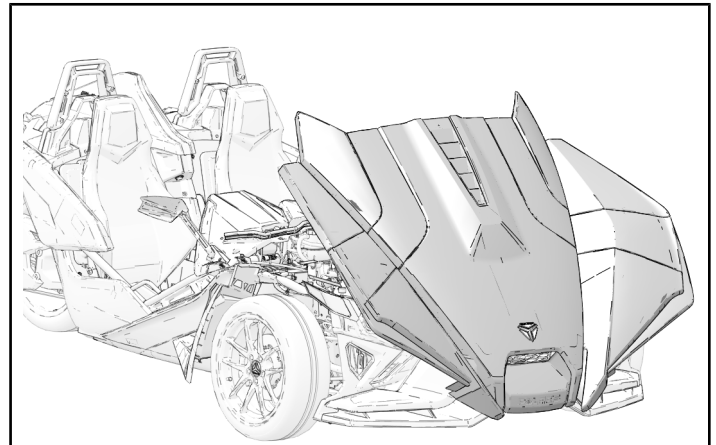
1. Make sure parking brake is applied.
2. Pull hood release lever upward to disengage four hood latches.



3. Pull upwards on hood underside, above LED lamp, using two hands.

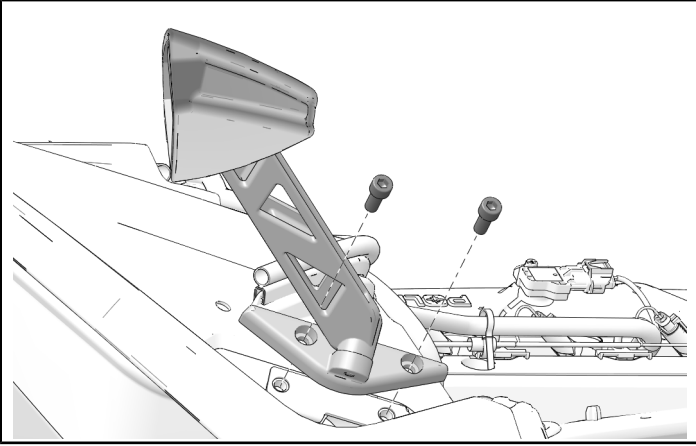


4. Pull hood upward and forward, rotating hood to a vertical position.



REMOVE MIRRORS

1. Remove and keep two mirror mounting screws.



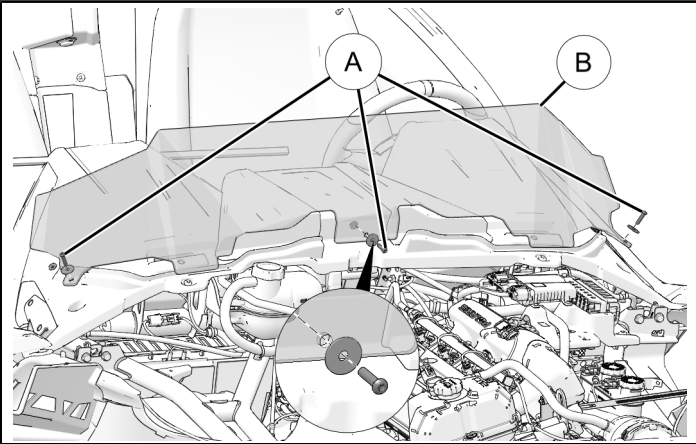
2. Remove and carefully set aside mirror assembly.
3. Repeat for opposite side mirror.

REMOVE WINDSHIELD

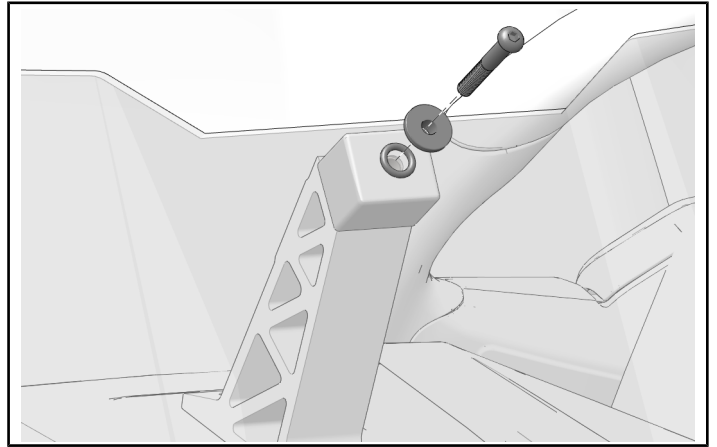
NOTICE

Windshields vary in size and shape but all mount to the same mounting points.

1. Remove and keep three fasteners (A) from base of windshield (B).



2. If equipped, remove and keep screw, washer and o-ring from center windshield mount.

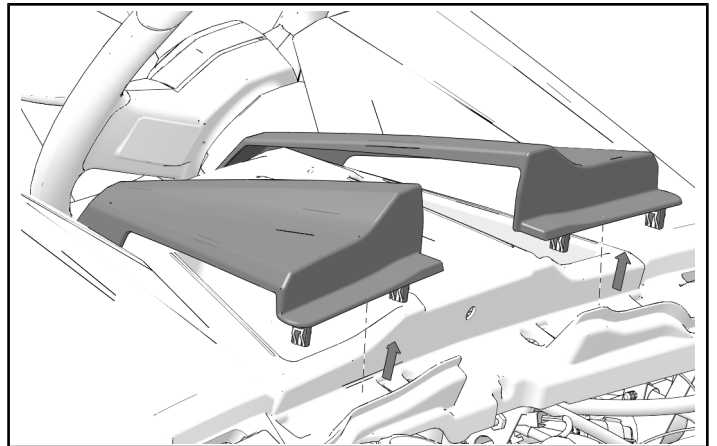


3. Remove windshield and carefully set aside.

REMOVE UPPER DASH

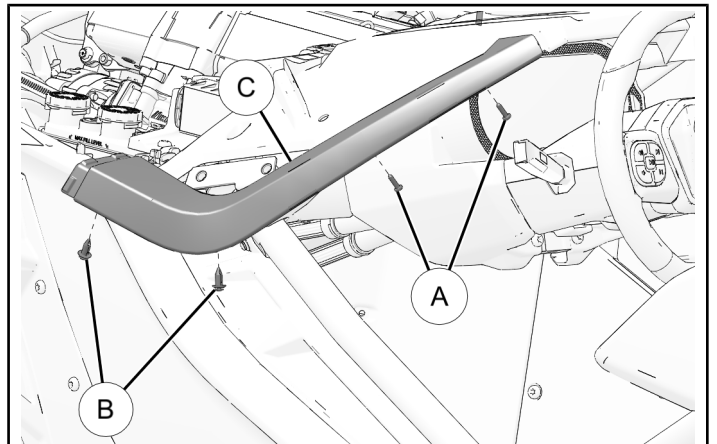
REMOVE UPPER DASH PAINTED PANELS

1. Remove and keep upper dash painted panels by lifting from front edges to release clips.

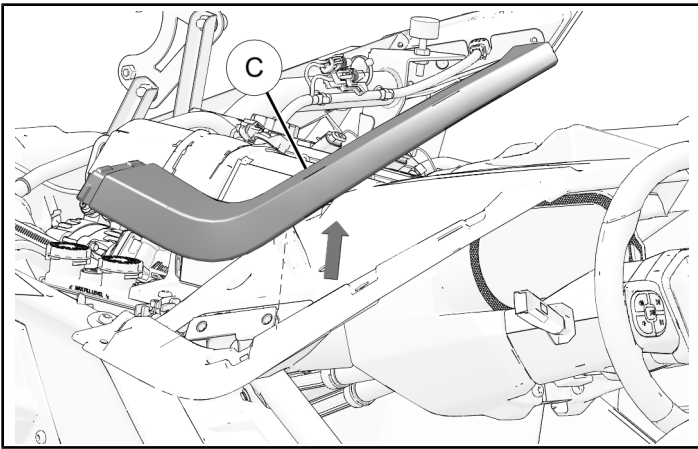


REMOVE SIDE TRIM PANEL

1. Remove and keep two screws (A) and two push-pin rivets (B) from side trim panel (C).



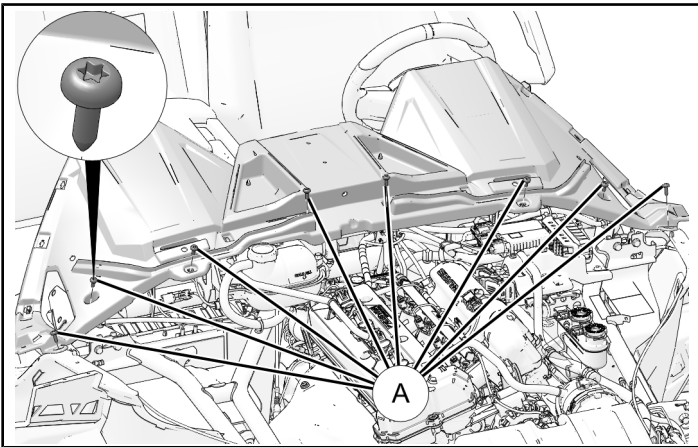
2. Remove side trim panel (C) and carefully set aside.



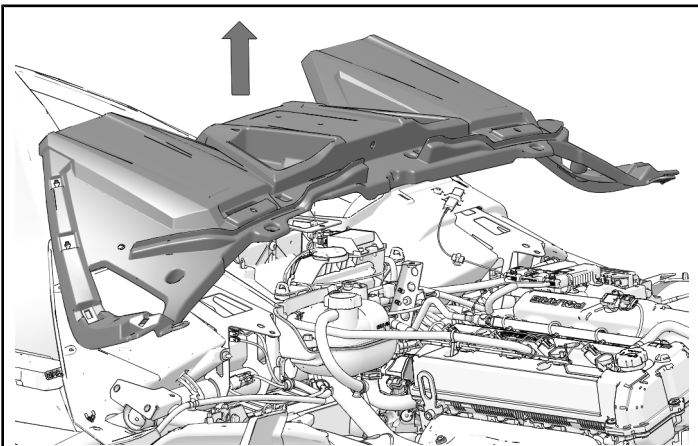
3. Repeat steps 1–2 for opposite side trim panel.

REMOVE UPPER DASH PANEL

1. Remove and keep eight screws (A) from upper dash panel.



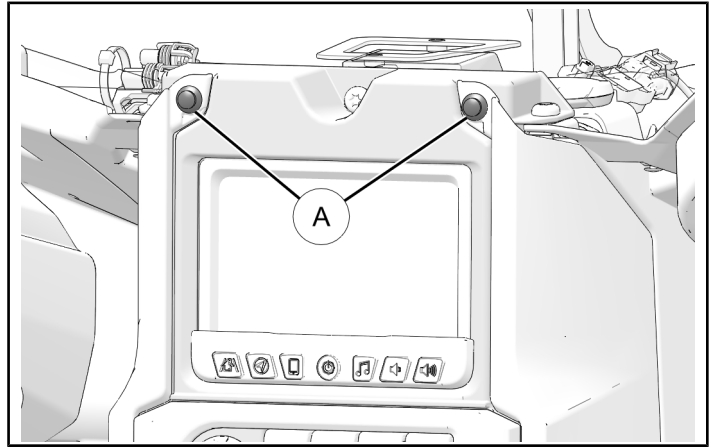
2. If equipped, disconnect dash tweeter speakers from main vehicle harness.
3. Lift front edge of upper dash panel to release clips. Lift off upper dash panel and carefully set aside.



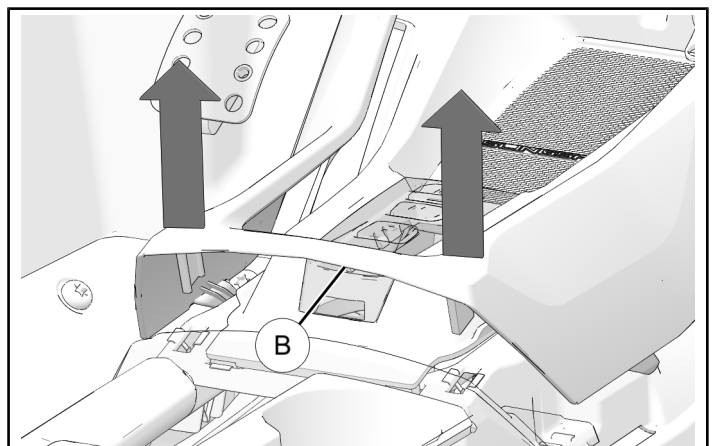
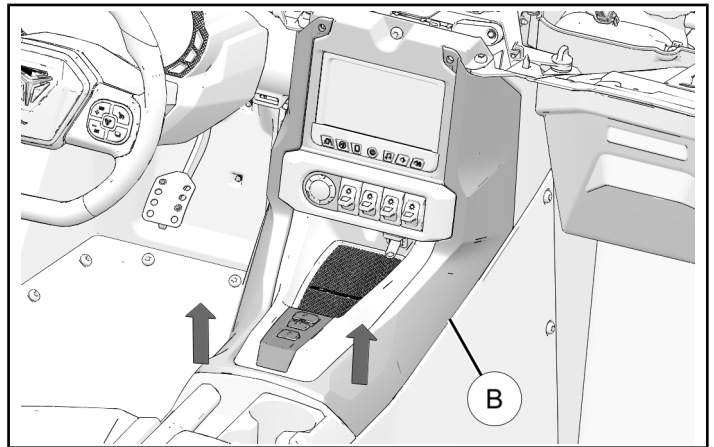
ACCESSORY INSTALLATION

REMOVE CONSOLE TRIM

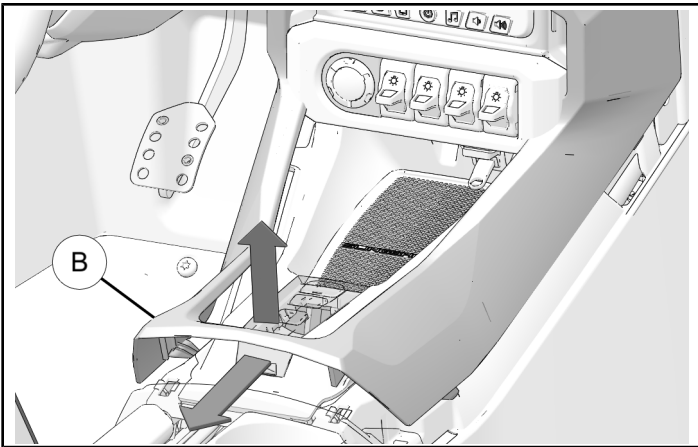
1. Remove and keep two push pin rivets (A) from upper center console.



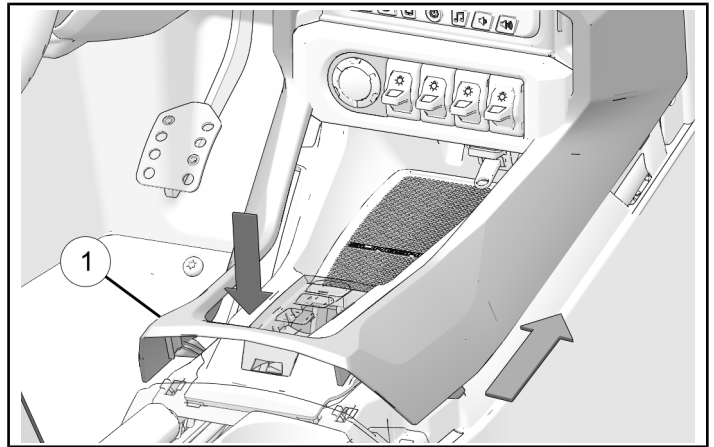
2. Carefully disengage two trim mounting tabs by lifting up on both sides of console trim (B).



3. Move console trim **B** up and rearward to remove.

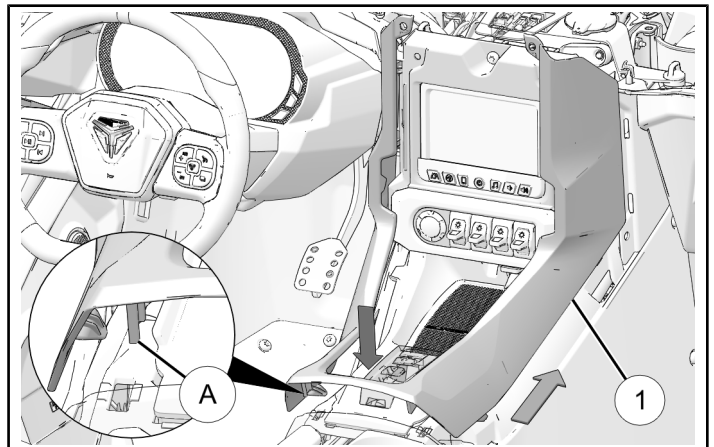
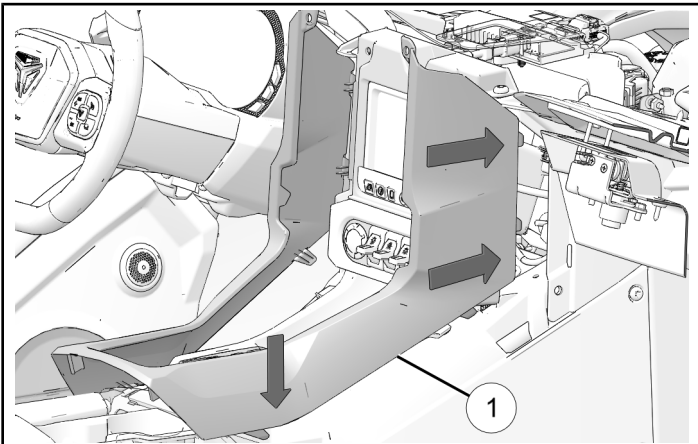


2. Move console accent trim **1** forward and down to attach to center console.

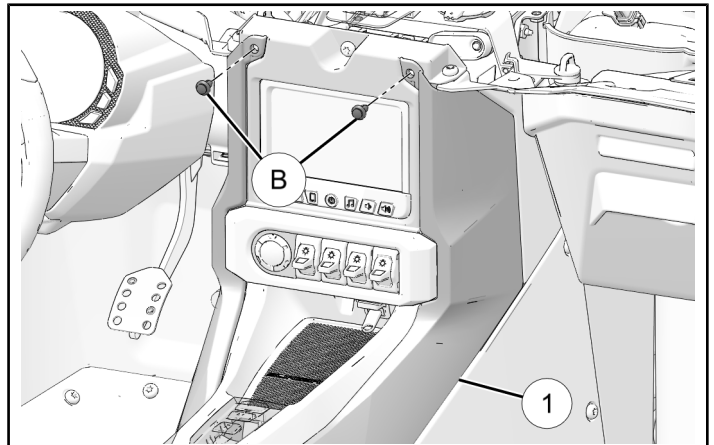


INSTALL CONSOLE ACCENT TRIM

1. Insert mounting tabs on each side of console trim **1** into holes on center console.



3. Attach console trim **1** to upper center console using two push pin rivets **B**.

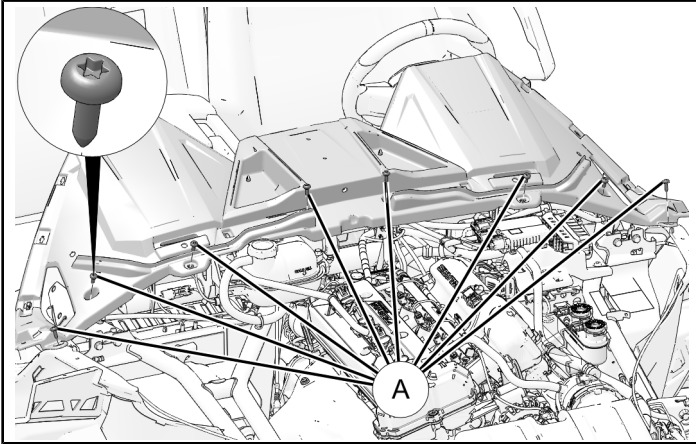


VEHICLE REASSEMBLY

INSTALL UPPER DASH

INSTALL UPPER DASH PANEL

1. If equipped, connect dash tweeter speakers to main vehicle harness.
2. Set upper dash panel in place and loosely install eight retained screws (A).



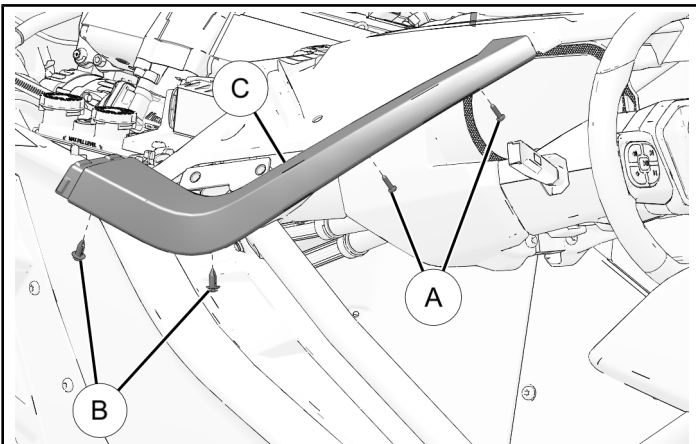
3. Torque eight screws to specification.

TORQUE

Upper Dash Panel Screws (A):
36 in-lbs (4 N·m)

INSTALL SIDE TRIM PANELS

1. Set side trim panel (C) in place and loosely install two retained screws (A) and install two retained push pin rivets (B).



2. Torque two screws to specification.

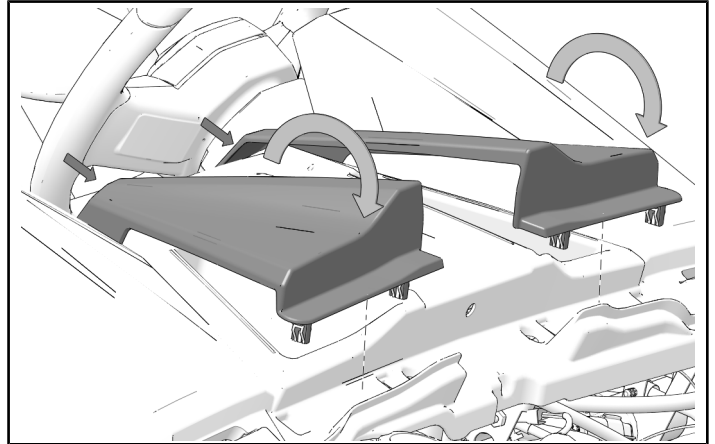
TORQUE

Side Trim Panel Screws (A):
10 in-lbs (1.1 N·m)

3. Repeat steps 1–2 for opposite side trim panel.

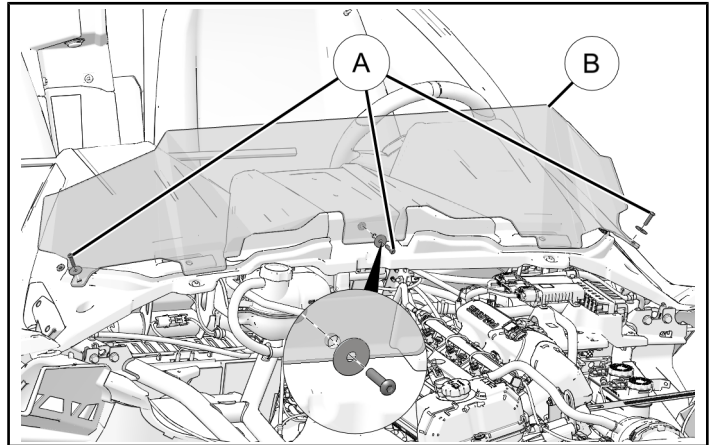
INSTALL UPPER DASH PAINTED PANELS

1. Hook small end of panels under dash and rotate to press clips into place.



INSTALL WINDSHIELD

1. Set windshield (B) in place and secure with retained fasteners (A).



2. Torque fasteners to specification (if applicable).

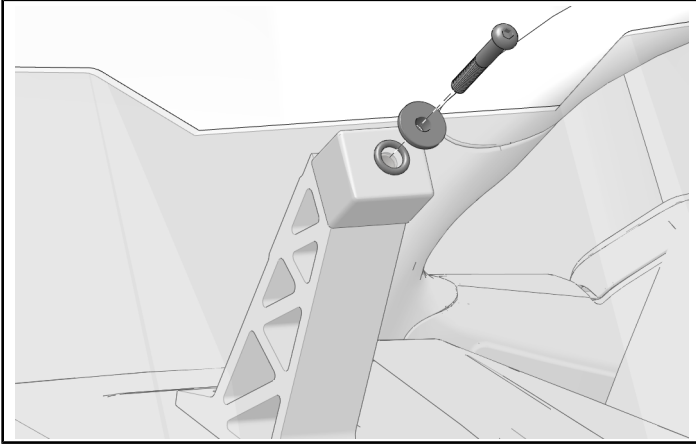
TORQUE

Windshield Threaded Fastener:
13 in-lbs (1.4 N·m)

3. If equipped, install screw, washer and o-ring into center windshield mount. Torque screw to specification.

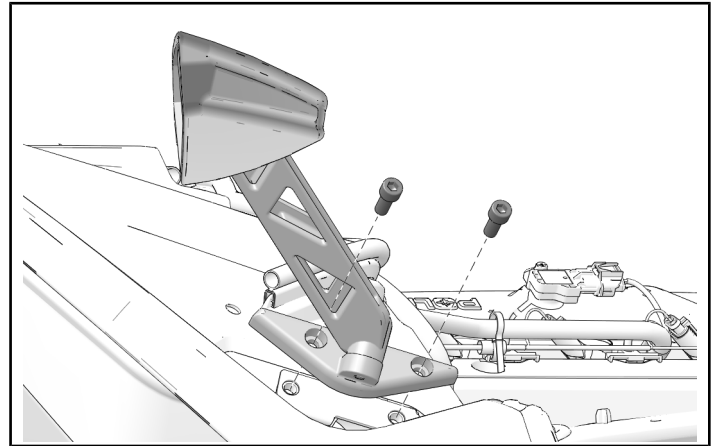
TORQUE

Windshield Center Mount Screw:
84 in-lbs (9.5 N·m)



INSTALL MIRRORS

1. Set mirror in place and secure with two mirror mounting screws.



2. Torque mounting screws to specification.

TORQUE

Mirror Mount Screws:
35 ft-lbs (47 N·m)

3. Repeat for opposite side mirror.

INSTRUCTION FEEDBACK FORM

A feedback form has been created for the installer to provide any comments, questions or concerns about the installation instructions. The form is viewable on mobile devices by scanning the QR code or by clicking [HERE](#) if viewing on a PC.

