

STAGE 1 PMX-P2 AUDIO KIT



P/N 2889138

BEFORE YOU BEGIN

Read these instructions and check to be sure all parts and tools are accounted for. Please retain these installation instructions for future reference and parts ordering information.

APPLICATION

Verify accessory fitment at www.polarisslingshot.com.

DISCLAIMER ACCESSORY WEIGHT

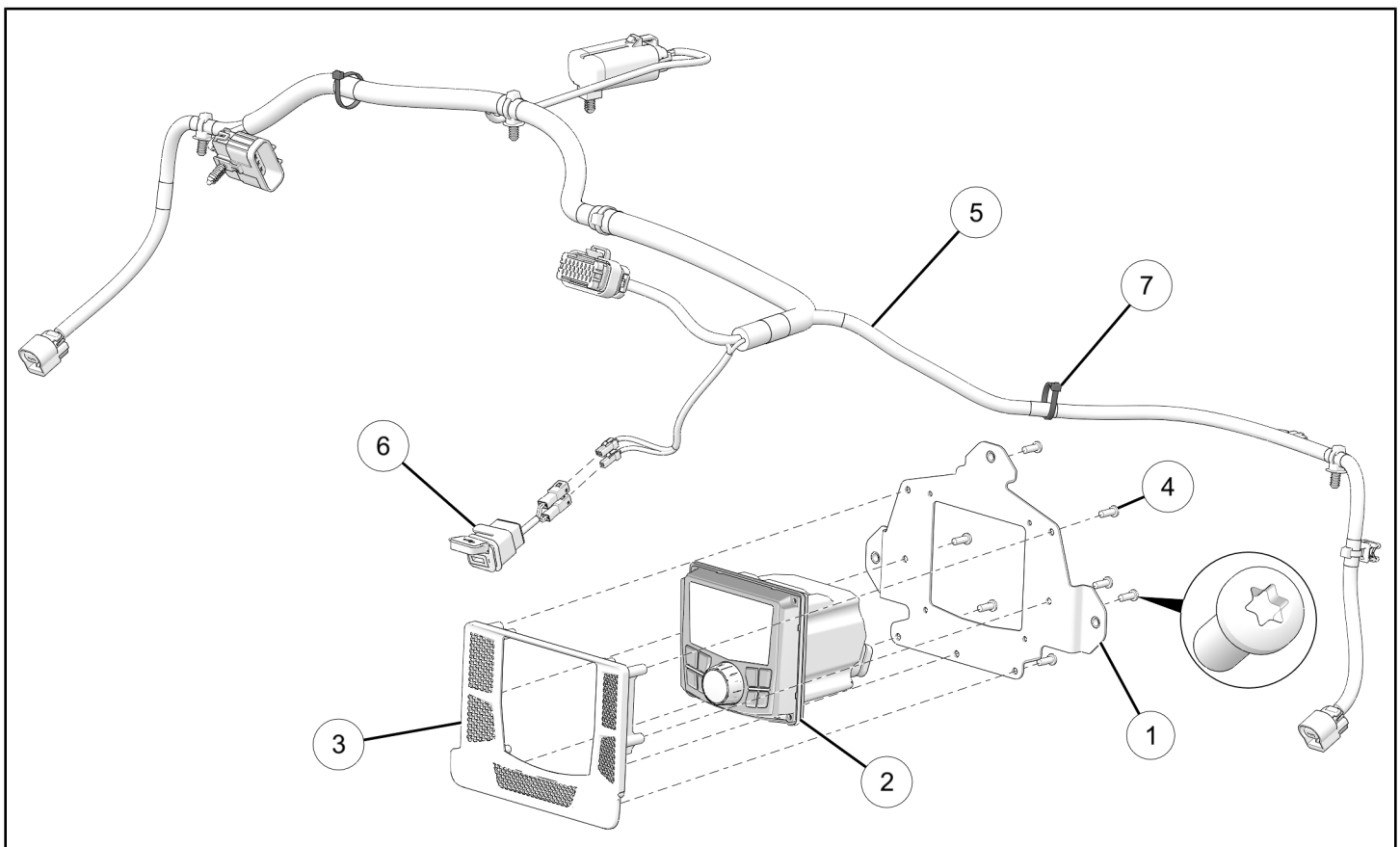
When adding accessories, equipment, passengers and luggage to your vehicle, do not exceed the total weight capacity of the vehicle or of the front or rear axle (GVWR or GAWR as indicated on the Safety Compliance Certification label). Ask an authorized dealer for specific weight information if you need assistance. It is the owner's responsibility to use the Polaris Slingshot Accessories website as a tool for limiting the amount of accessories, based on maximum allowable vehicle weight requirements. It may be a violation of the Clean Air Act or the NHTSA regulations to disregard these requirements. For a complete listing of the accessories that are available for your vehicle, please contact your authorized dealer or visit the online store web site: Web Address (United States): <http://www.polaris.com/en-us/slingshot/shop/accessories>.

REQUIRED SOLD SEPARATELY

Only parts for installation of the Stage 1 PMX-P2 Audio Kit are included. For complete installation, the following additional kit is required (sold separately):

- *Stage 2 Audio Kit by Rockford Fosgate®*, P/N 2889251

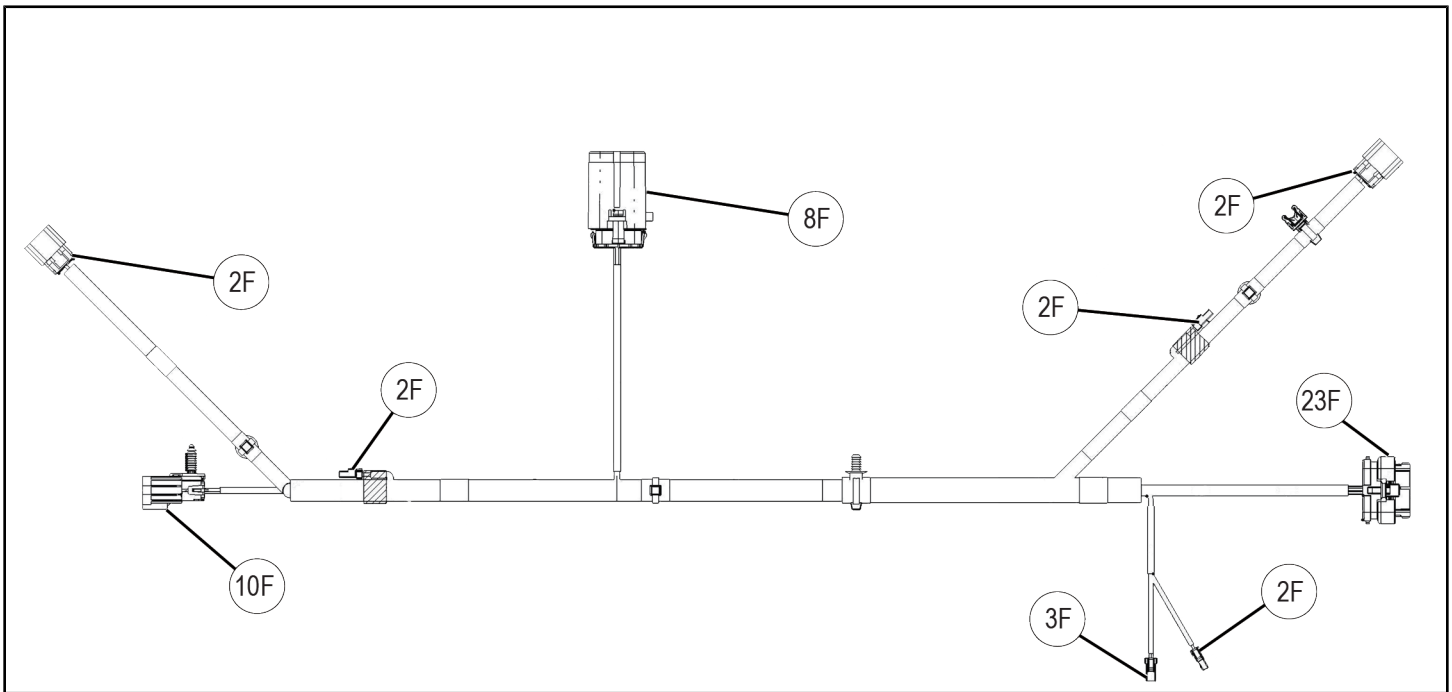
KIT CONTENTS



REF	QTY	PART DESCRIPTION	P/N AVAILABLE SEPARATELY
1	1	Assembly, Bracket, PMXP2 Mount	1025588
2	1	Audio-PMX, P2	2637487
3	1	Trim, Mount-Dash	5456692
4	7	Screw, #10 X 1/2 in	7512076
5	1	Harness, Radio, SS, RF-PMX2	2415599
6	1	Module-USB, ESD	2415894
7	2	Cable Tie, 12–50 mm	7080138

HARNESS DETAIL

PMX-P2 HARNESS ⑤



REF	PART DESCRIPTION	CONNECTS TO
2F	Left Speaker Connector (End of harness)	Left Bass Speaker
2F	Left Tweeter Connector (Taped to harness)	Left Tweeter
8F	Fuse Box	Vehicle Structure
2F	Right Tweeter Connector (Taped to harness)	Right Tweeter
2F	Right Speaker Connector (End of harness)	Right Bass Speaker
23F	Radio Connector	Radio
2F	USB Power Connector (On small wire lead)	USB Charging
3F	USB Data Connector (On small wire lead)	USB Data
10F	Chassis Harness Connector	Chassis Harness

Listed Clockwise from Top Left

Example: 16F = 16 pin, Female / 16M = 16 pin, Male (Male terminal fits inside female terminal)

TOOLS REQUIRED

- Safety Glasses
- Pliers, Push Pin Rivet
- Socket Set, Hex Bit, Metric
- Socket Set, Metric
- Socket Set, Torx® Bit
- Torque Wrench

IMPORTANT

Your Stage 1 PMX-P2 Audio Kit is exclusively designed for your vehicle. Please read the installation instructions thoroughly before beginning. Installation is easier if the vehicle is clean and free of debris. For your safety, and to ensure a satisfactory installation, perform all installation steps correctly in the sequence shown.

INSTALLATION INSTRUCTIONS

VEHICLE PREPARATION

GENERAL

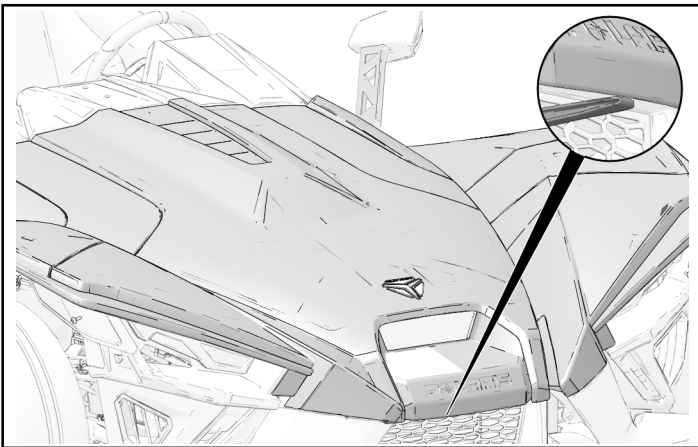
1. Park vehicle on a flat surface.
2. Shift vehicle to NEUTRAL.
3. Press START/STOP button to turn vehicle OFF.
4. Apply parking brake.
5. Remove key fob from proximity of vehicle.

OPEN HOOD

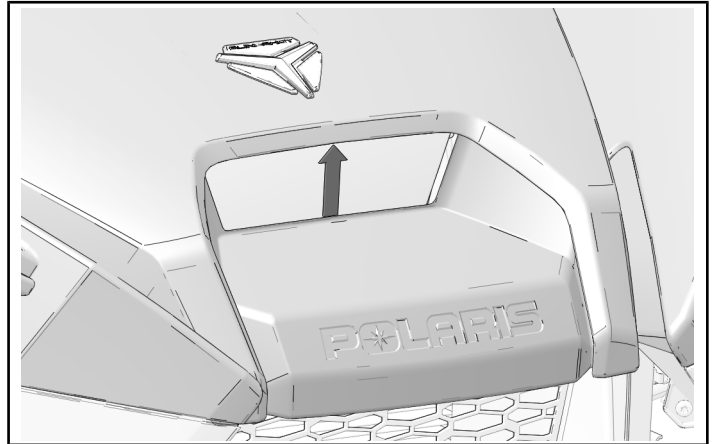
WARNING

Do not grab plastic directly above the hood release lever to open the hood. This may damage the hood.

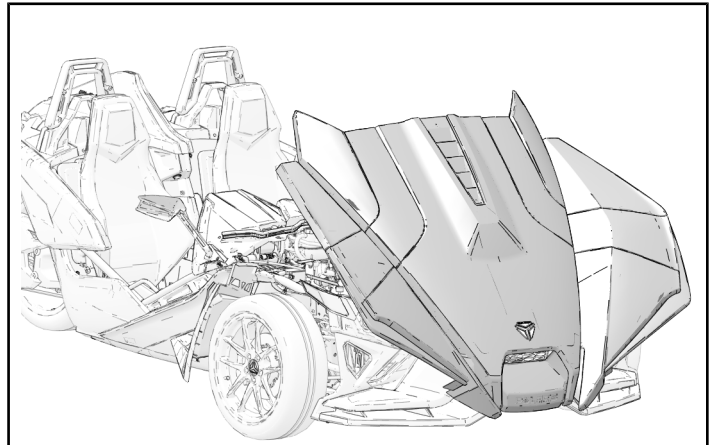
1. Make sure parking brake is applied.
2. Pull hood release lever upward to disengage four hood latches.



3. Pull upwards on hood underside, above LED lamp, using two hands.



4. Pull hood upward and forward, rotating hood to a vertical position.

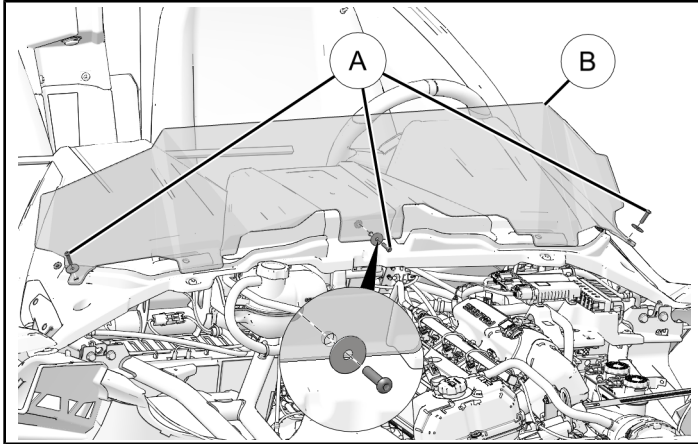


REMOVE WINDSHIELD

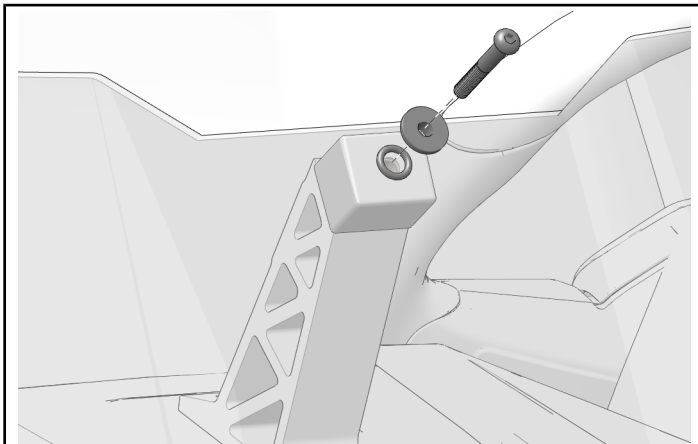
NOTICE

Windshields vary in size and shape but all mount to the same mounting points.

1. Remove and keep three fasteners (A) from base of windshield (B).



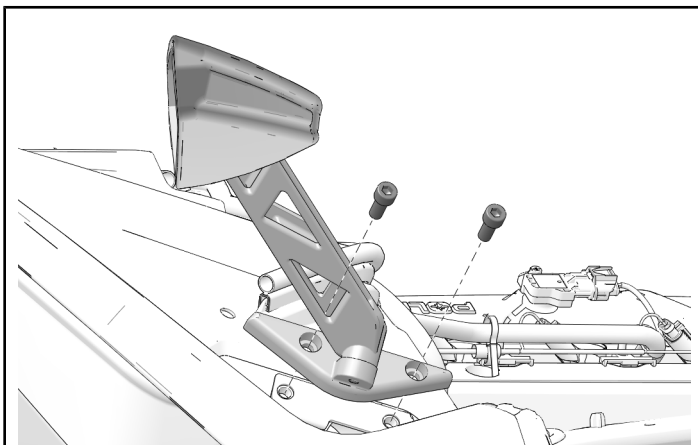
2. If equipped, remove and keep screw, washer and O-ring from center windshield mount.



3. Remove windshield and carefully set aside.

REMOVE MIRRORS

1. Remove and keep two mirror mounting screws.

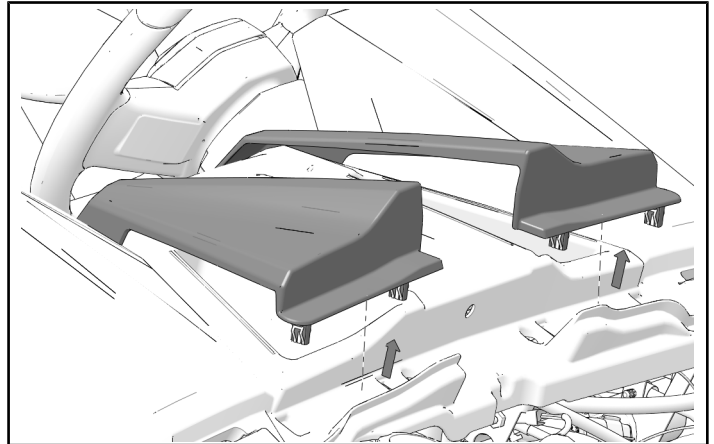


2. Remove and carefully set aside mirror assembly.
3. Repeat for opposite side mirror.

REMOVE UPPER DASH

REMOVE UPPER DASH PAINTED PANELS (IF EQUIPPED)

1. Remove and keep upper dash painted panels by lifting from front edges to release clips.

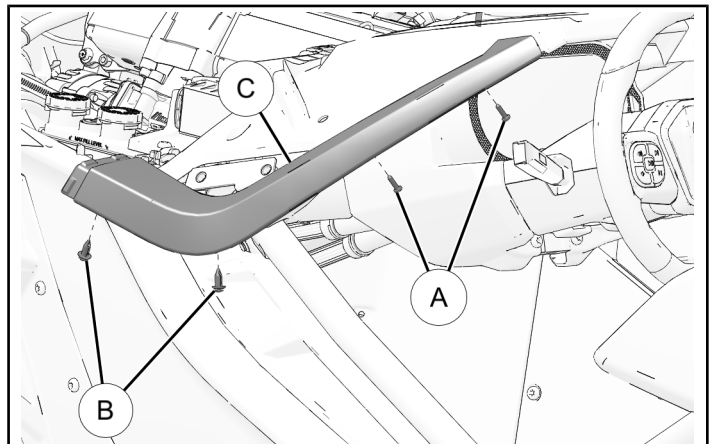


REMOVE SIDE TRIM PANELS

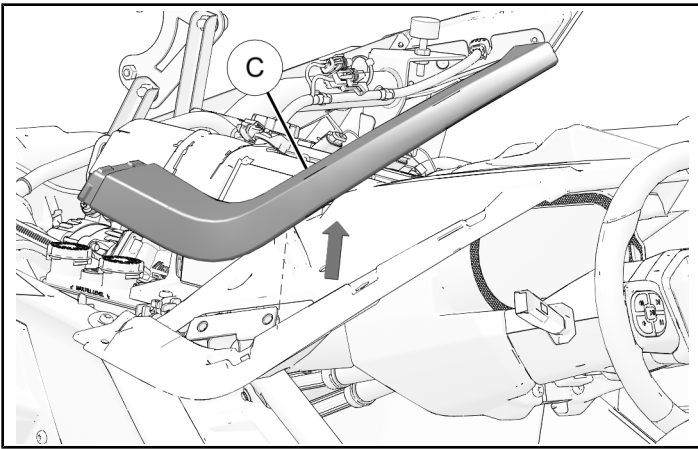
NOTICE

Left side shown; right side similar.

1. Remove and keep two screws (A) and two push-pin rivets (B) from side trim panel (C).

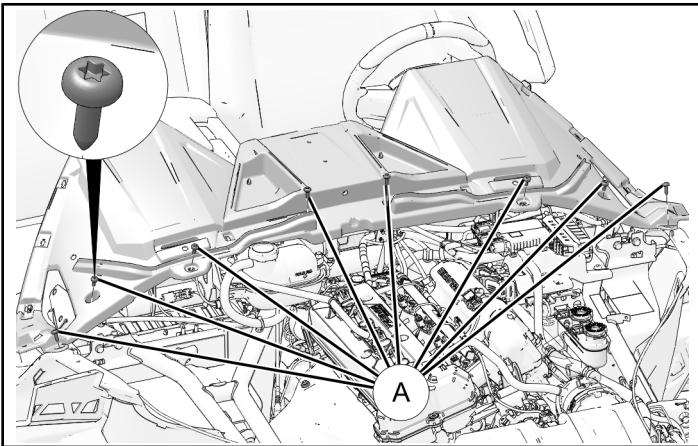


2. Remove side trim panel (C) and carefully set aside.

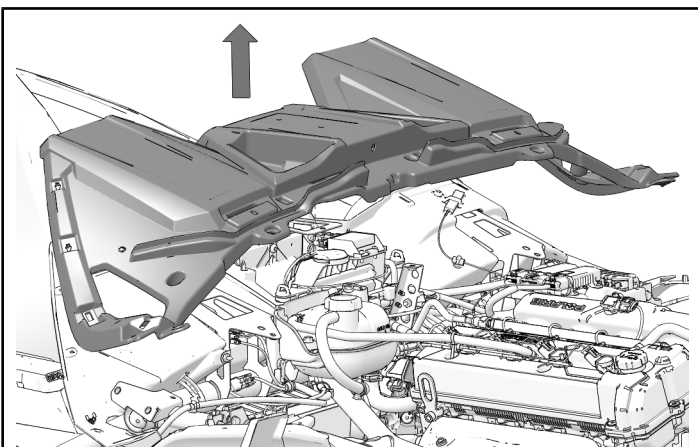


REMOVE UPPER DASH PANEL

1. Remove and keep eight screws (A) from upper dash panel.

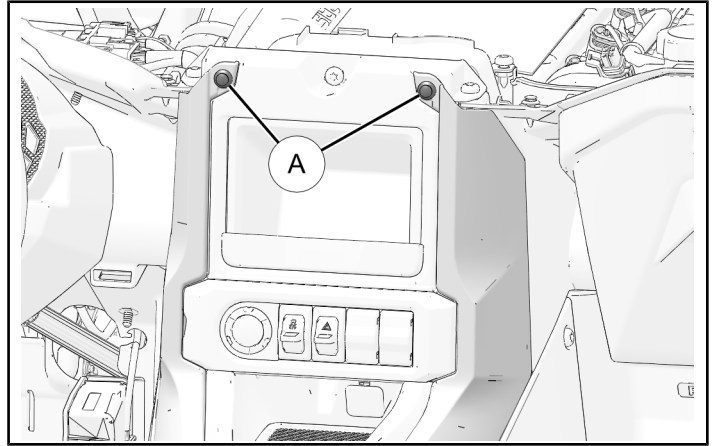


2. If equipped, disconnect dash tweeter speakers from main vehicle harness.
3. Lift front edge of upper dash panel to release clips. Lift off upper dash panel and carefully set aside.

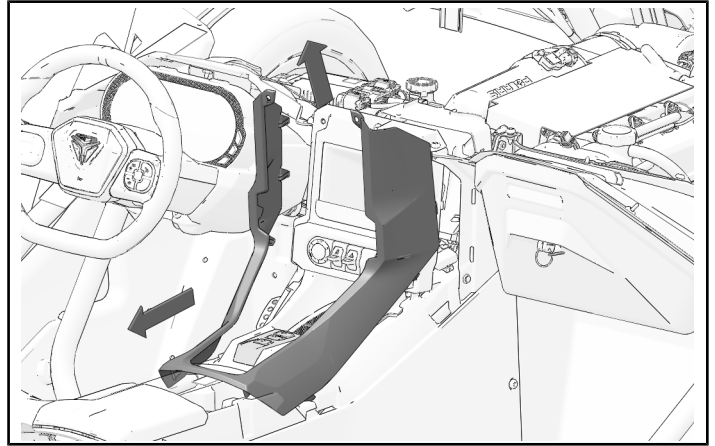


REMOVE CENTER CONSOLE TRIM

1. Remove and keep two push pin rivets (A).

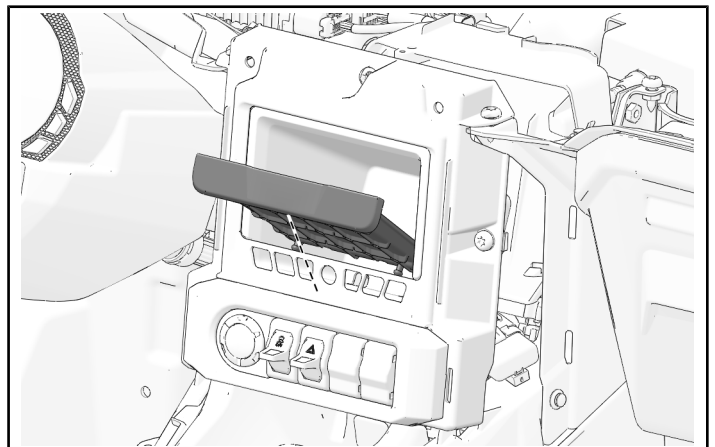


2. Lift up on rear of trim and pull to rear to remove center console trim. Carefully set aside.

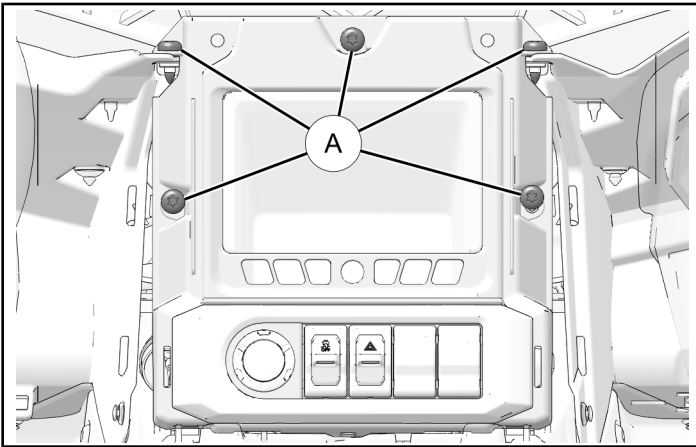


REMOVE STORAGE BIN

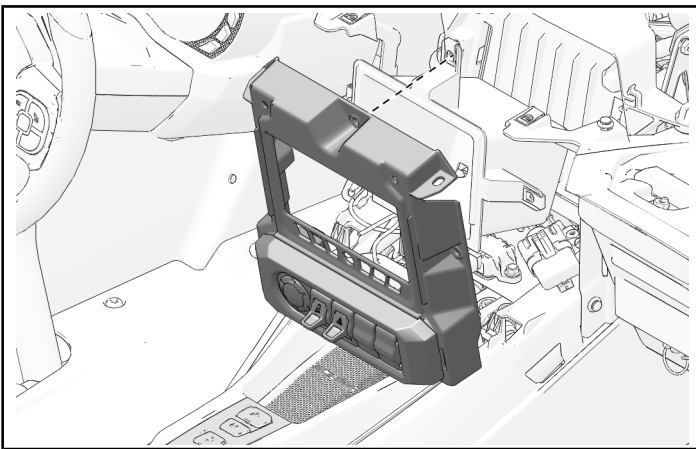
1. Pull up and out to remove storage bin liner.



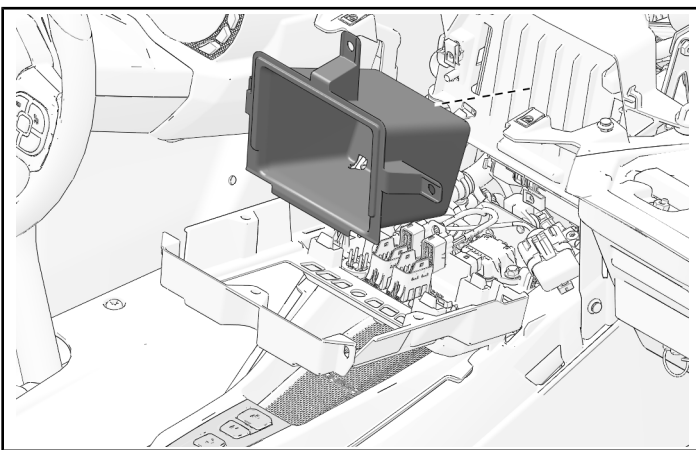
2. Remove and keep five screws (A) from center console trim.



3. Remove and set aside center console trim panel.



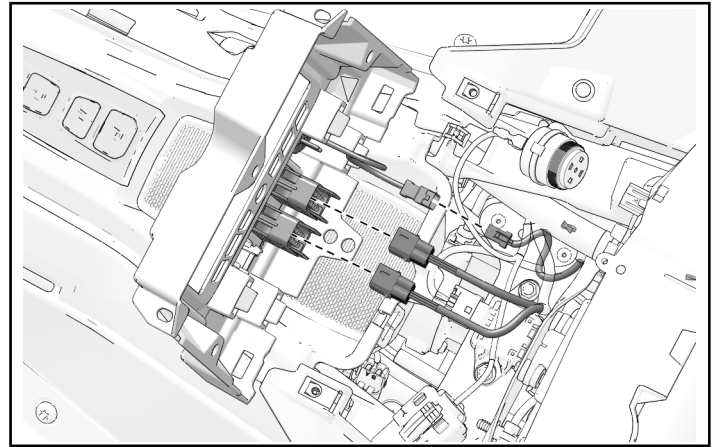
4. Remove center console storage bin.



ACCESSORY INSTALLATION

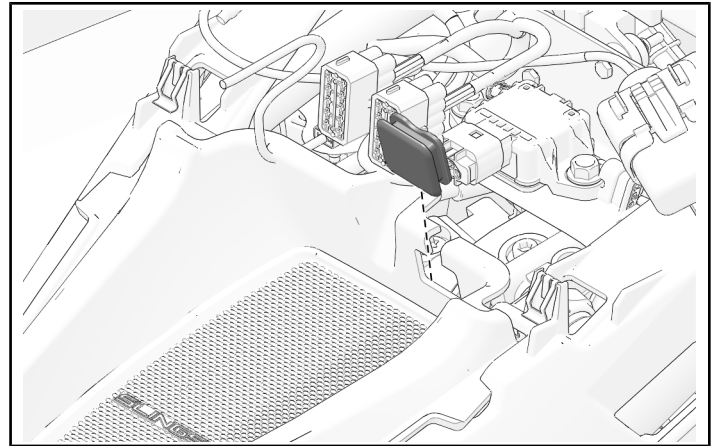
DISCONNECT CENTER CONSOLE BRACKET

1. Disconnect any connectors and remove center console mounting bracket.

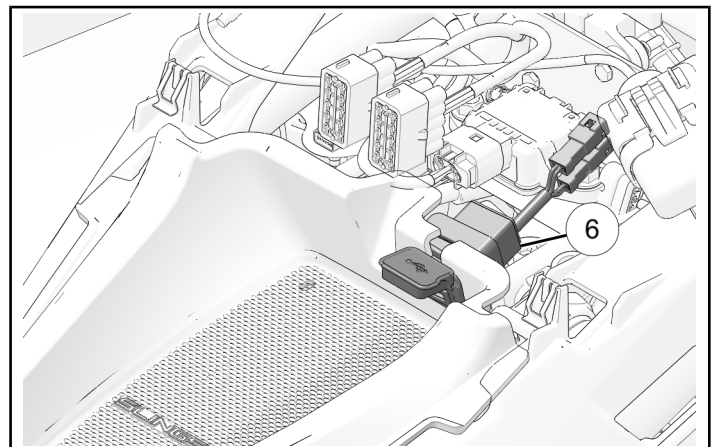


INSTALL USB PORT

1. Remove and discard USB port plug from center console.

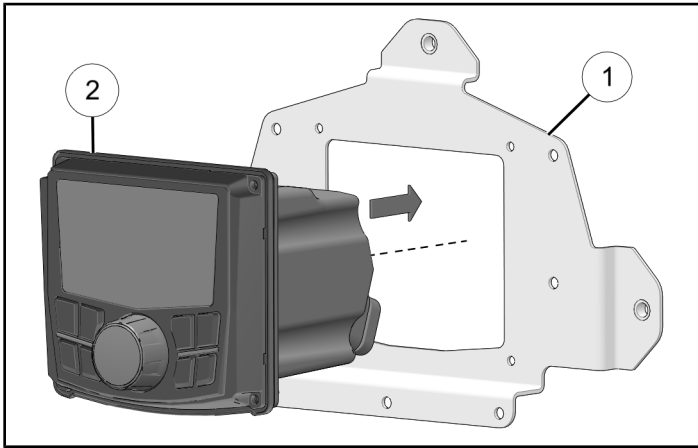


2. Install USB port (6) into opening in center console.

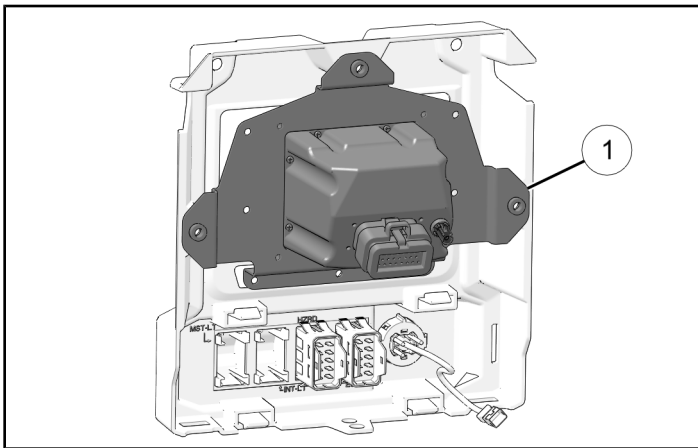


ASSEMBLE PMX-P2 DISPLAY

1. Install PMX Module ② into PMX Bracket ①.



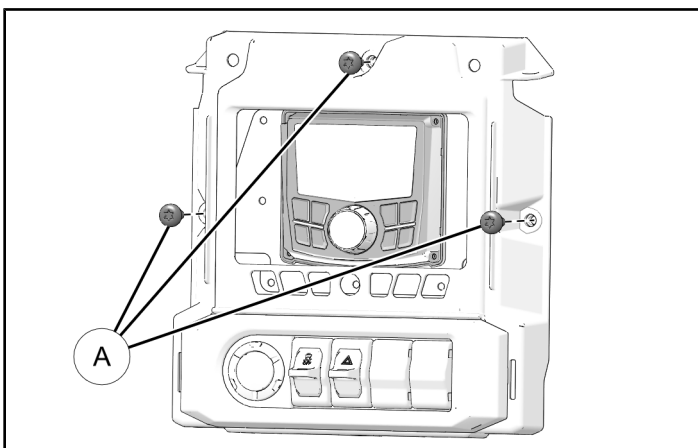
2. Install assembled PMX bracket ① into center console mounting bracket.



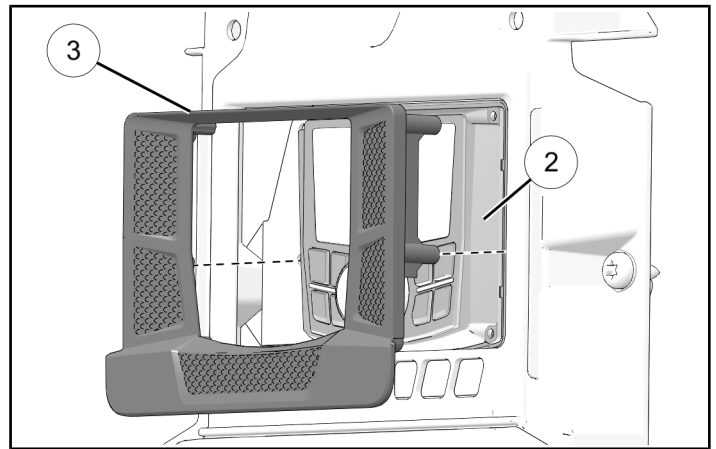
3. Attach PMX bracket ① to center console mounting bracket with three of the retained screws (A). Torque screws to specification.

TORQUE

Center Console Trim Screws (A):
35 in-lbs (4 N·m)



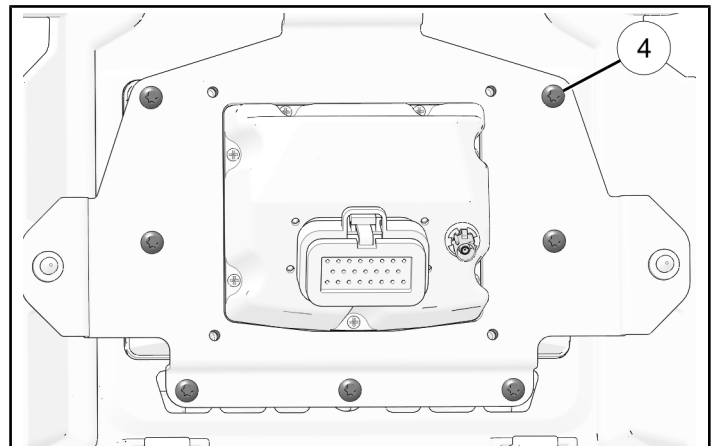
4. Install dash trim ③ into opening around PMX module ②.



5. Install seven new screws ④ to attach trim piece to bracket ①. Torque screws to specification.

TORQUE

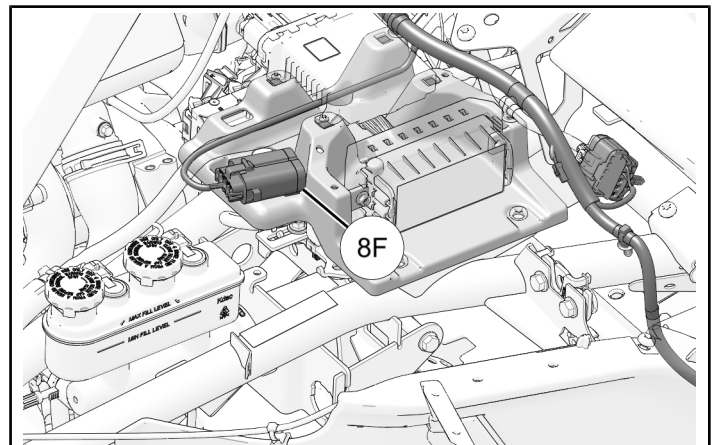
PMX Trim Screws ④:
15 in-lbs (1.7 N·m)



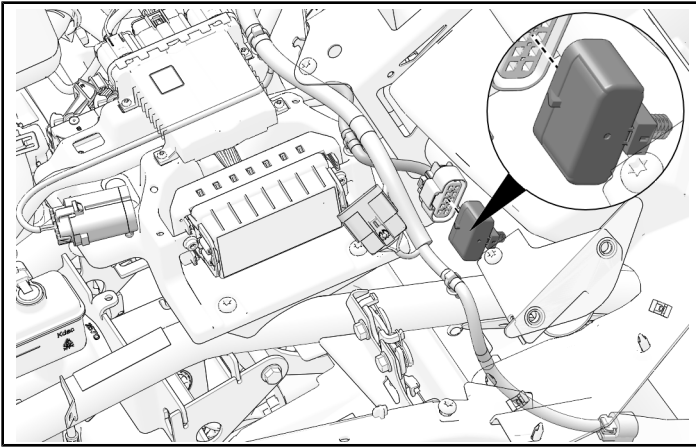
6. Carefully set assembly aside.

INSTALL PMX HARNESS ⑤

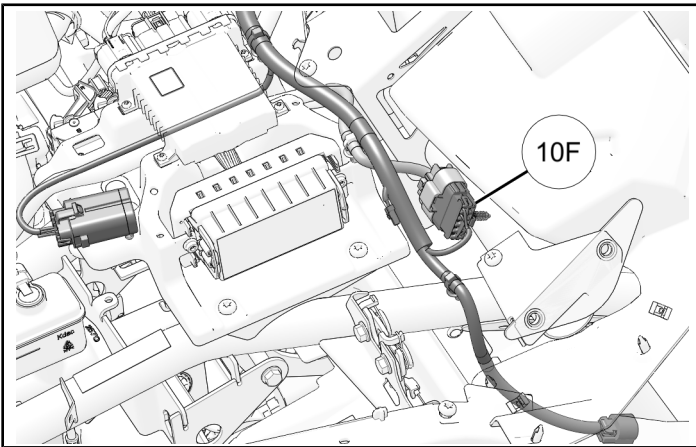
1. Attach fuse box 8F to bracket just behind brake fluid reservoir as shown.



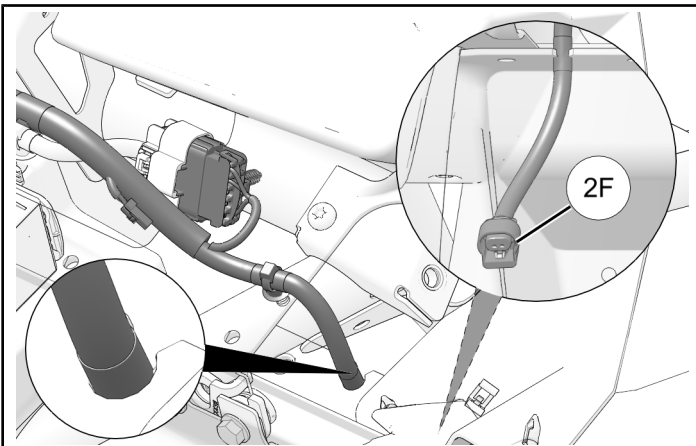
2. Remove blank plug from chassis harness.



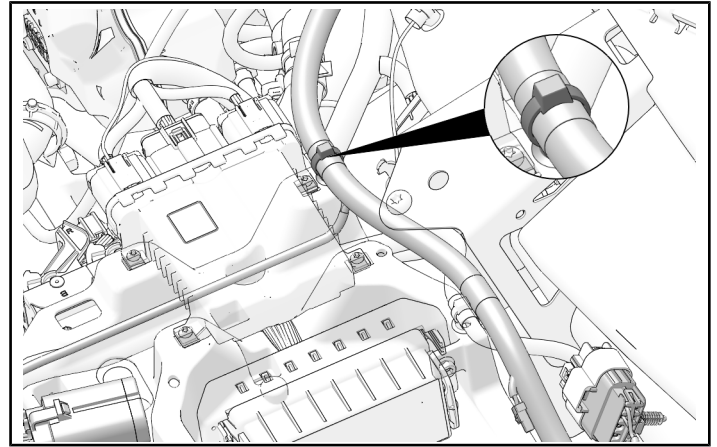
3. Connect chassis harness connector **10F** to chassis harness.



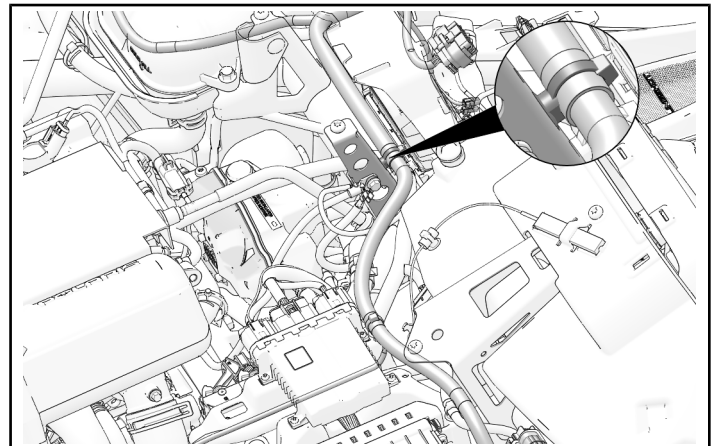
4. Install left speaker connector (end of harness) **2F** into opening as shown and attach wire to clip in plastic.



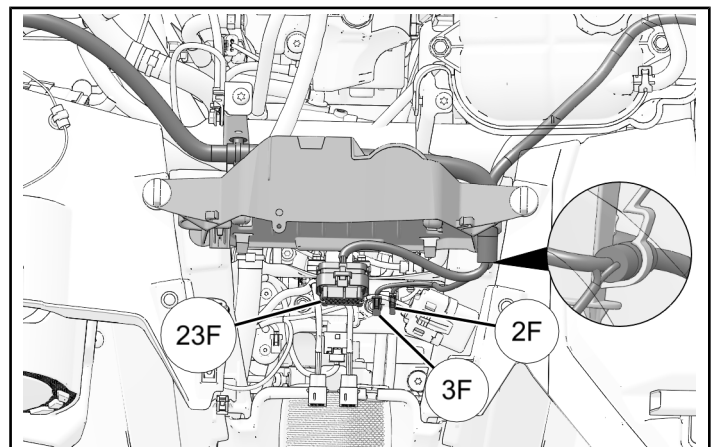
5. Attach harness to ECM bracket with pre-attached push pin cable tie as shown.



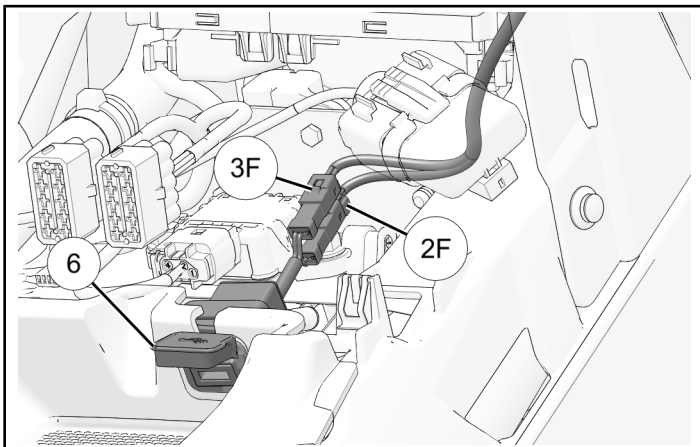
6. Attach harness to frame bracket as shown with pre-attached push pin cable tie.



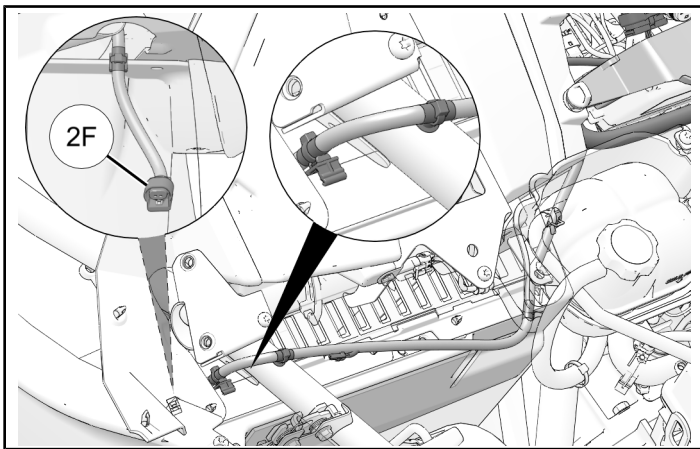
7. Install radio connector **23F**, USB power connector (on small wire lead) **2F** and USB data connector (on small wire lead) **3F** end of harness into clip as shown and into open area where radio will rest.



8. Connect USB connectors **3F** and **2F** to USB module **6**.



9. Install harness under coolant reservoir and across to passenger side. Install push pin cable tie into hole in support bar. Insert right speaker connector (end of harness) **2F** through opening and attach wire clip to plastic in opening as shown.

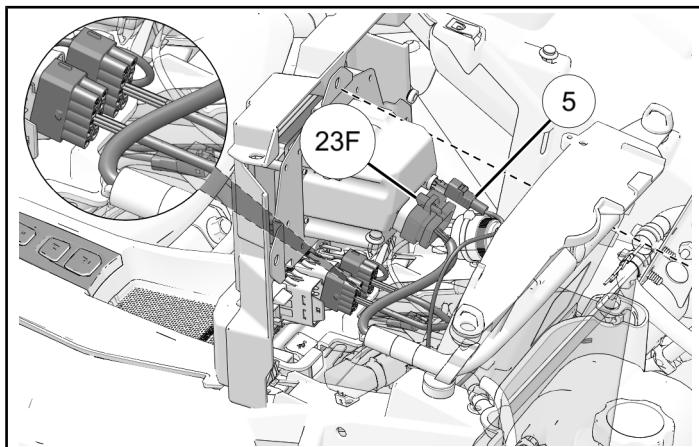


INSTALL ANTENNA

1. Install radio antenna **5** from *Stage 2 Audio Kit P/N 2889251*.

INSTALL PMX DISPLAY

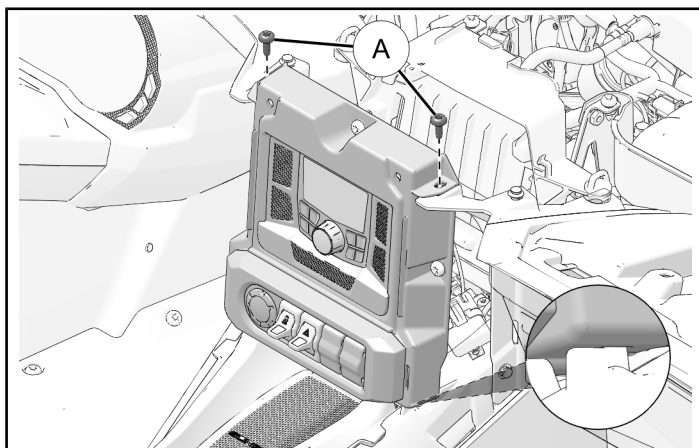
1. Set PMX assembly in place and connect wiring connectors to switches. Connect radio connector **23F** to PMX module. Connect antenna **5** (from *Stage 2 Audio Kit P/N 2889251*) to PMX module.



2. Make sure tabs are installed into slots on base of trim as shown with inset. Attach center console trim assembly with two retained screws. Torque screws to specification.

TORQUE

Center Console Trim Screws **A**:
35 in-lbs (4 N·m)



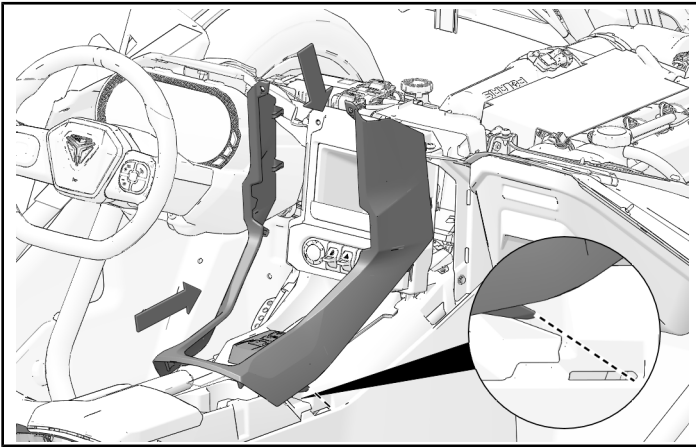
COMPLETE INSTALLATION

1. Complete installation of any and all speakers before reassembly.

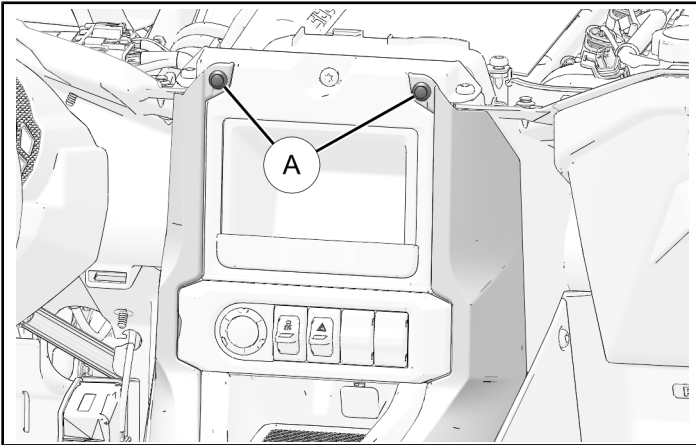
VEHICLE REASSEMBLY

INSTALL CENTER CONSOLE TRIM

1. Install center console trim onto console. Make sure tabs are installed into openings.



2. Attach center console trim with two retained push pin rivets (A).

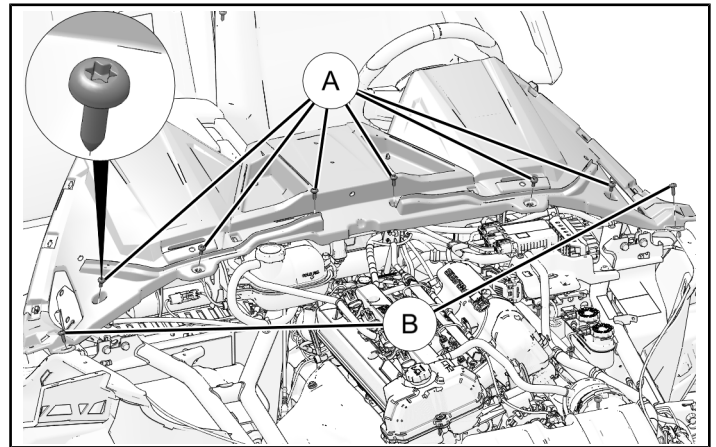


INSTALL UPPER DASH

INSTALL UPPER DASH PANEL

1. If equipped, connect dash tweeter speakers to main vehicle harness.

2. Set upper dash panel in place and loosely install eight retained screws (A) and (B).



3. Torque eight screws to specification.

NOTICE

Inner and outer fasteners have different torque specifications.

TORQUE

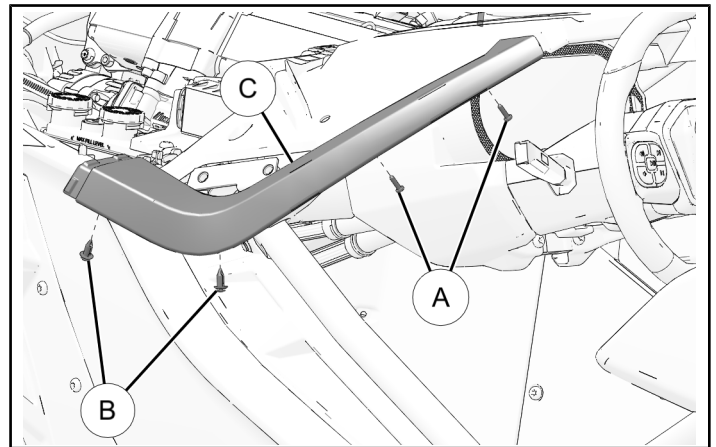
Inner Upper Dash Panel Screws (A):
65 in-lbs (7.4 N·m)

TORQUE

Outer Upper Dash Panel Screws (A):
36 in-lbs (4 N·m)

INSTALL SIDE TRIM PANELS

1. Set side trim panel (C) in place and loosely install two retained screws (A) and install two retained push pin rivets (B).



2. Torque two screws to specification.

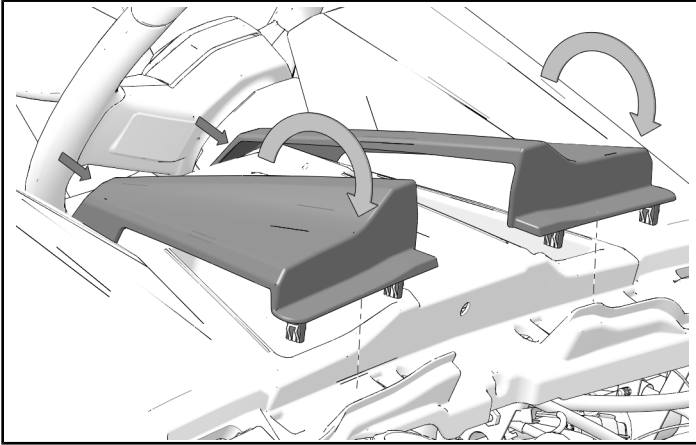
TORQUE

Side Trim Panel Screws (A):
10 in-lbs (1.1 N·m)

- Repeat steps 1–2 for opposite side trim panel.

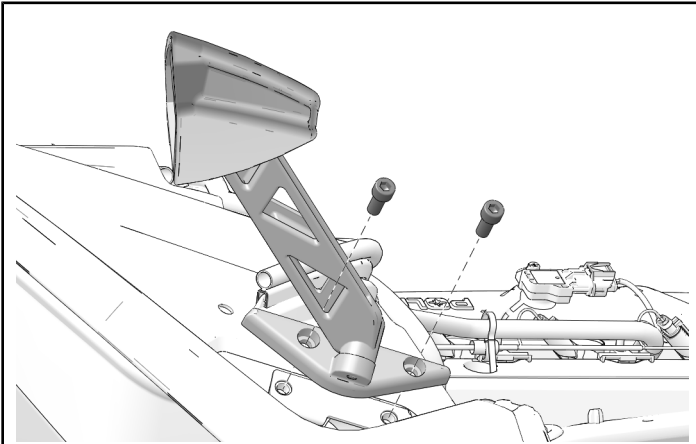
INSTALL UPPER DASH PAINTED PANELS

- Put small end of panels under dash and rotate to press clips into place.



INSTALL MIRRORS

- Set mirror in place and attach with two mirror mounting screws.



- Torque mounting screws to specification.

TORQUE

Mirror Mount Screws:
35 ft-lbs (47 N·m)

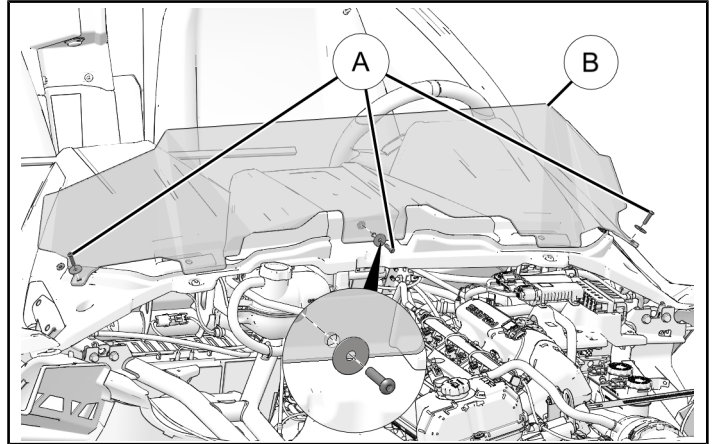
- Repeat for opposite side mirror.

OPERATION

Refer to model year 2021 or newer owner's manual for PMX head unit audio operating instructions.

INSTALL WINDSHIELD

- Set windshield **(B)** in place and attach with retained fasteners **(A)**.



- Torque fasteners to specification (if applicable).

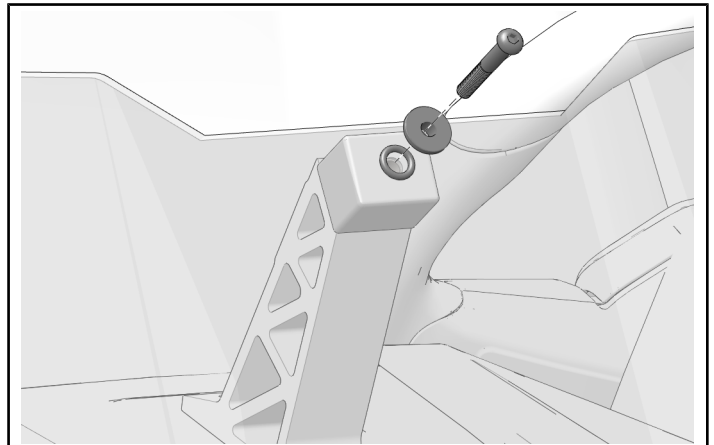
TORQUE

Windshield Threaded Fastener:
13 in-lbs (1.4 N·m)

- If equipped, install screw, washer and O-ring into center windshield mount. Torque screw to specification.

TORQUE

Windshield Center Mount Screw:
13 in-lbs (1.4 N·m)



INSTRUCTION FEEDBACK FORM

A feedback form has been created for the installer to provide any comments, questions or concerns about the installation instructions. The form is viewable on mobile devices by scanning the QR code or by clicking [HERE](#) if viewing on a PC.

