

# BLACK BADGE KIT



SLINGSHOT

P/N 2889060

## BEFORE YOU BEGIN

Read these instructions and check to be sure all parts and tools are accounted for. Please retain these installation instructions for future reference and parts ordering information.

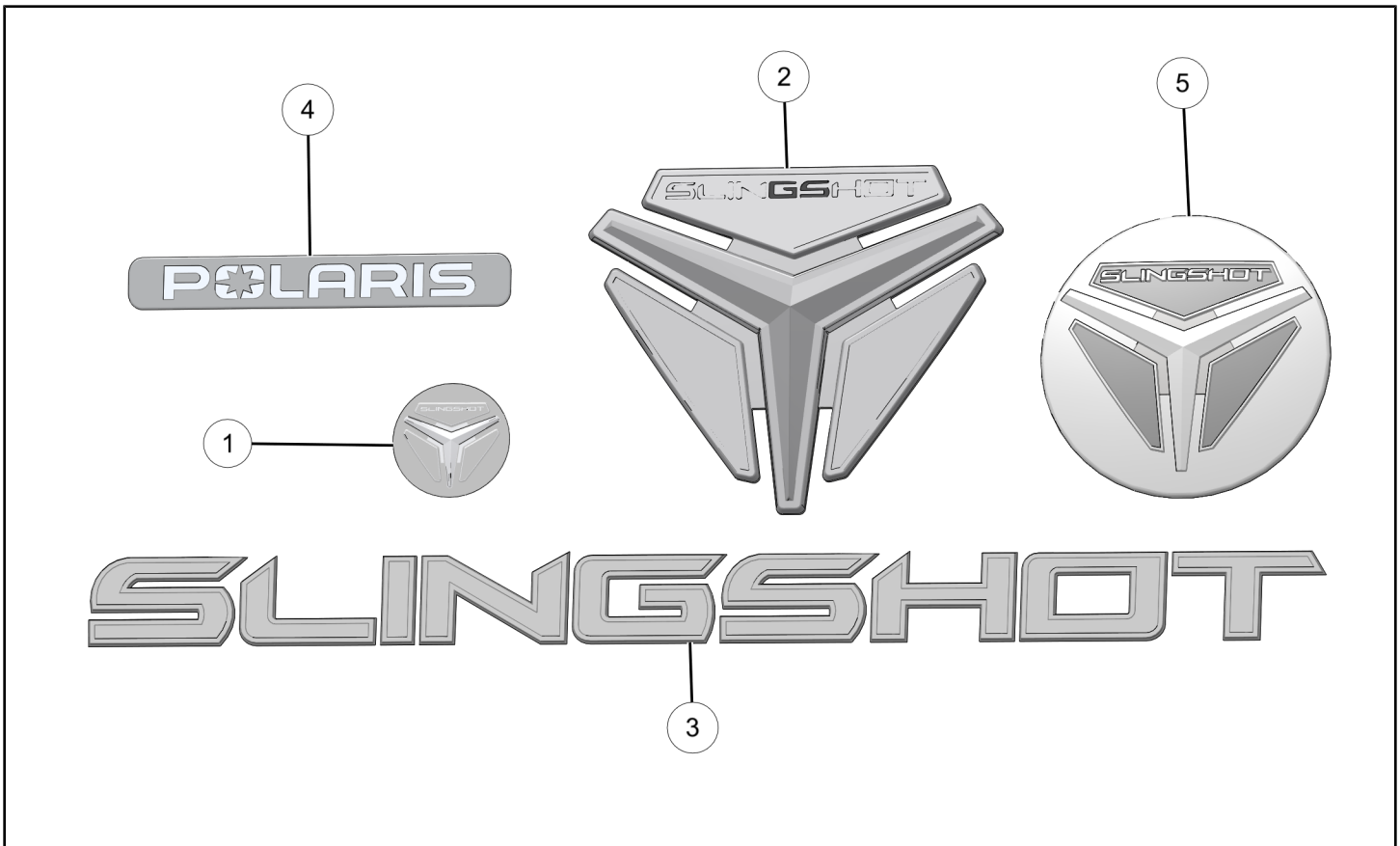
## APPLICATION

Verify accessory fitment at [www.polarisslingshot.com](http://www.polarisslingshot.com).

## DISCLAIMER ACCESSORY WEIGHT

When adding accessories, equipment, passengers and luggage to your vehicle, do not exceed the total weight capacity of the vehicle or of the front or rear axle (GVWR or GAWR as indicated on the Safety Compliance Certification label). Ask an authorized dealer for specific weight information if you need assistance. It is the owner's responsibility to use the Polaris Slingshot Accessories website as a tool for limiting the amount of accessories, based on maximum allowable vehicle weight requirements. It may be a violation of the Clean Air Act or the NHTSA regulations to disregard these requirements. For a complete listing of the accessories that are available for your vehicle, please contact your authorized dealer or visit the online store web site: Web Address (United States): <http://www.polaris.com/en-us/slingshot/shop/accessories>.

## KIT CONTENTS



REF	QTY	PART DESCRIPTION	P/N AVAILABLE SEPARATELY
1	1	Badge, Key Fob, Black	5270160
2	1	Badge, Front, Black	5270161

REF	QTY	PART DESCRIPTION	P/N AVAILABLE SEPARATELY
3	2	Badge, Fin, Black	5270163
4	1	Badge, Glove Box, Black	5271092
5	3	Cap, Wheel, Center, Matte Black	5450160

## TOOLS REQUIRED

- Safety Glasses
- Heat Gun (or equivalent)
- Plastic Flat Blade Tool
- Fishing Line

## CONSUMABLES REQUIRED

- Cloth, Non-Abrasive (Cheesecloth or equivalent)
- Isopropyl Alcohol (IPA)
- Masking Tape
- Adhesive Remover

## IMPORTANT

Your Black Badge Kit is exclusively designed for your vehicle. Please read the installation instructions thoroughly before beginning. Installation is easier if the vehicle is clean and free of debris. For your safety, and to ensure a satisfactory installation, perform all installation steps correctly in the sequence shown.

## INSTALLATION INSTRUCTIONS

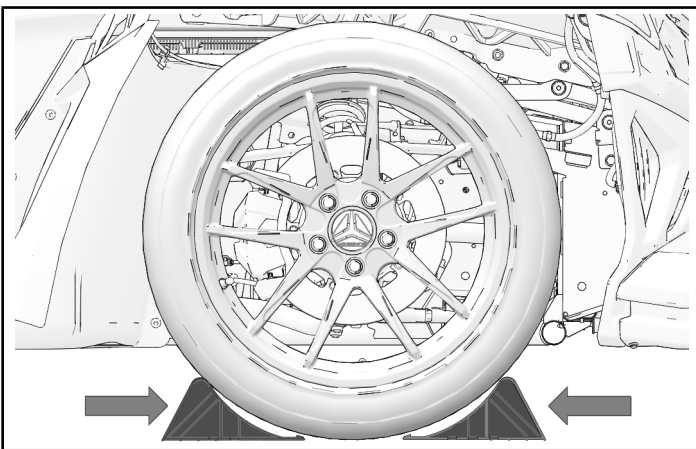
### VEHICLE PREPARATION

#### GENERAL

1. Park vehicle on a flat surface.
2. Shift vehicle to NEUTRAL.
3. Press START/STOP button to turn vehicle OFF.
4. Remove key fob from proximity of vehicle.

#### CHOCK WHEELS

1. When lifting the rear wheel with a floor jack, always chock at least one of the front tires with a wheel chock on both the front and back side of the tire.



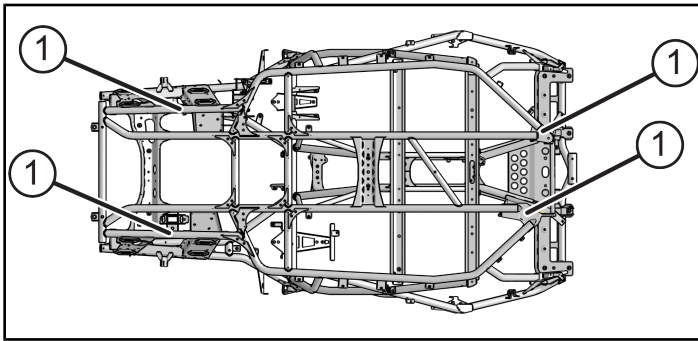
### LIFT VEHICLE

#### ⚠ WARNING

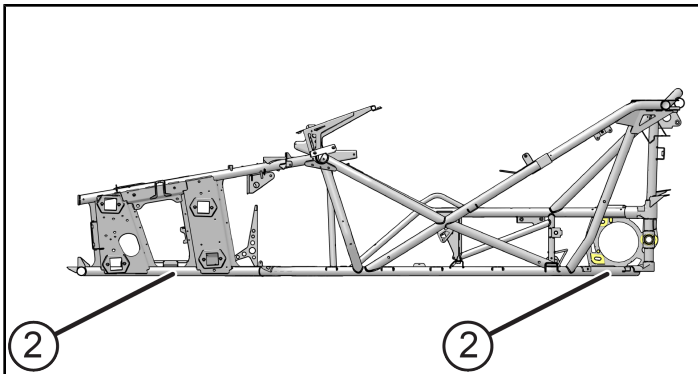
- Serious injury or death can occur if the vehicle moves or falls while elevated. When elevating is necessary, make sure the vehicle is properly elevated and stable before performing service.
- DO NOT attempt to elevate your vehicle without proper equipment. If you're not familiar with using floor jacks or lift mechanisms, see your dealer for service.

1. To elevate the SLINGSHOT vehicle, use automotive-quality floor jacks. Use the floor jacks on a firm, flat surface.
2. Make sure the floor jacks are positioned under the frame rails in the front where the lower control arm mounts to the frame, or in the rear where the frame rails meet.

### ① Bottom View of Lift Points

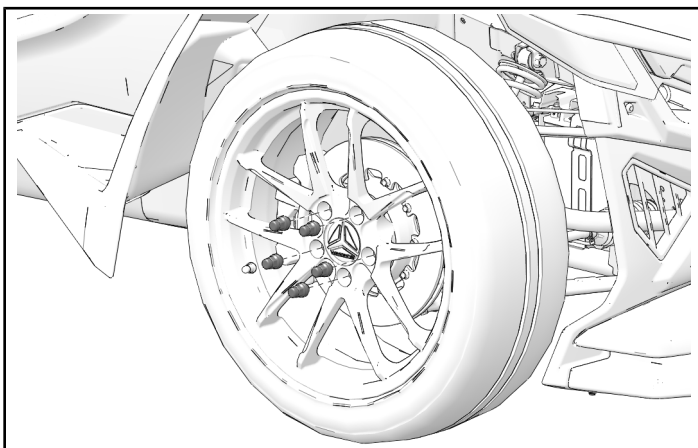


### ② Side View of Lift Points



## REMOVE WHEEL

1. If using a hand wrench, break loose each lug nut on wheels *before* jacking up wheel.
2. Locate appropriate lift points for vehicle before lifting. Lift points can be located in the owner's manual for your vehicle.
3. Lift desired wheel until tire no longer touches floor.
4. Remove lug nuts from wheel and set aside.



5. Remove wheel from vehicle.

## ACCESSORY INSTALLATION

### WHEEL CAP INSTALLATION

#### IMPORTANT

Protect all finished and painted surfaces during these operations.

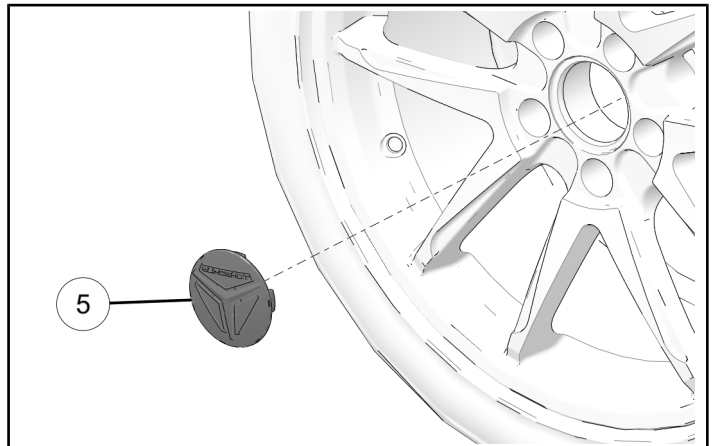
#### NOTE

One wheel shown, others similar.

1. Press center cap out of wheel from inside wheel.

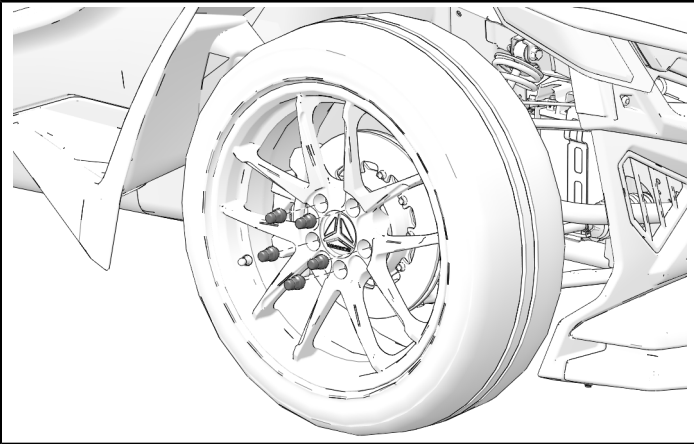


2. Press new center cap ⑤ into place until cap is flush with wheel face.



## INSTALL WHEEL

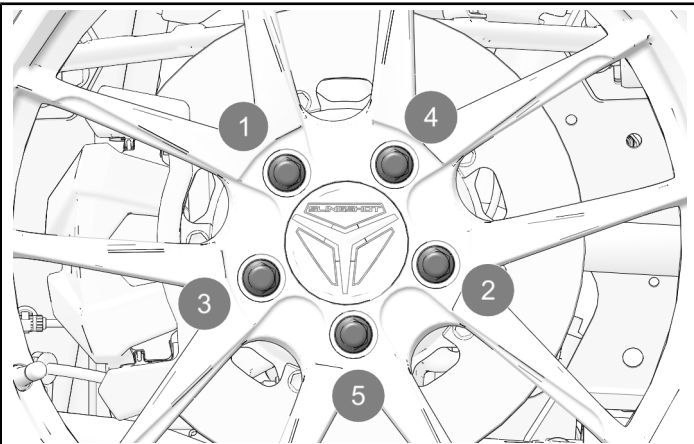
1. Install wheel onto studs and install lug nuts in star pattern hand tight.



2. Lower wheel onto ground and torque lug nuts to specification in a star pattern.

### TORQUE

Lug Nut:  
**75 ft-lbs (102 N·m)**



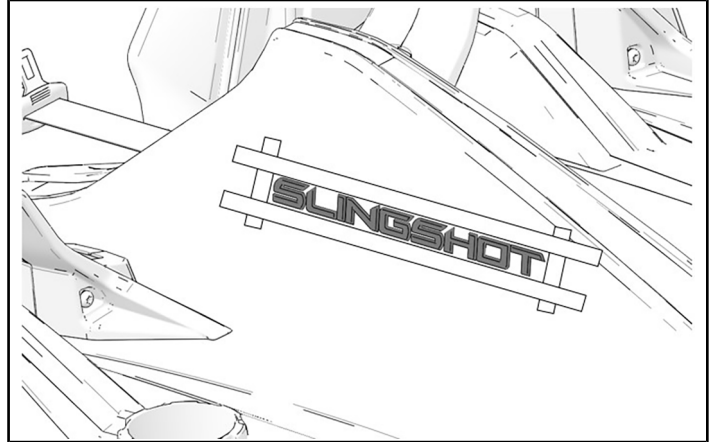
## **BADGE INSTALLATION**

### IMPORTANT

Protect all finished and painted surfaces during these operations.

## BADGE REMOVAL

1. Mark the position of the badges by outlining them with masking tape.



### TIP

Masking tape will help protect the vehicle finish during badge removal and installation.

1. Use multiple layers of tape to protect the vehicle body.
2. Use a heat gun pointed at the badge to loosen the adhesive. Pry the badge away from the vehicle body.
3. Pull fishing line under old badges to cut through adhesive
4. Pry the badge away from the vehicle using a plastic flat blade tool.
5. Use adhesive remover to clean any residual adhesive from the body surface.

## APPLYING BADGES

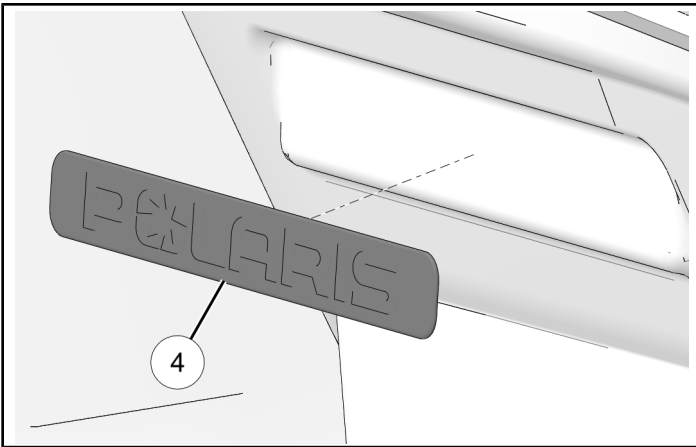
### IMPORTANT

- Use masking tape as a guide to position new badges.
- When using chemicals make sure masking tape remains intact.

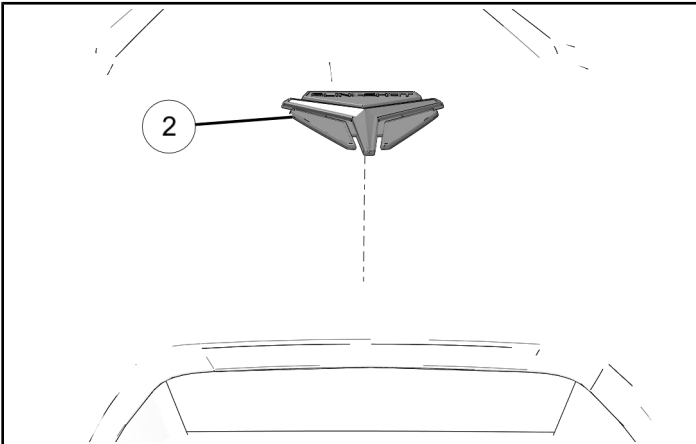
### ⚠ WARNING

Isopropyl alcohol is hazardous to your health. See isopropyl alcohol packaging for proper handling instructions, including recommended personal protective equipment such as goggles and chemical resistant gloves.

1. Remove the adhesive backing from the badge.
2. Prepare surface by wiping clean with Isopropyl alcohol.
3. Position the glove box badge ④ and press firmly into position.



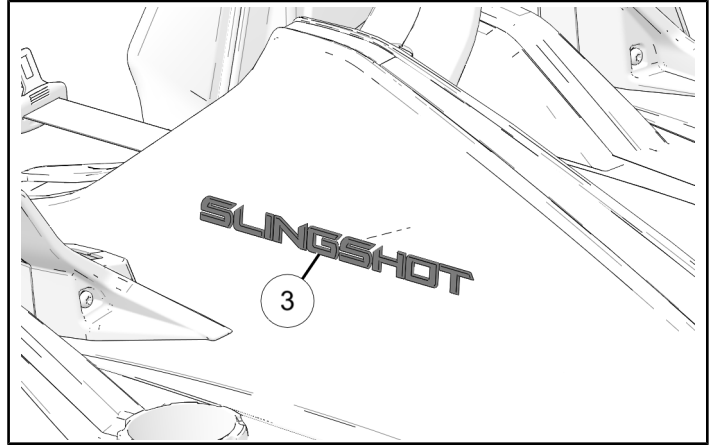
4. Apply the hood badge ②, press firmly into position.



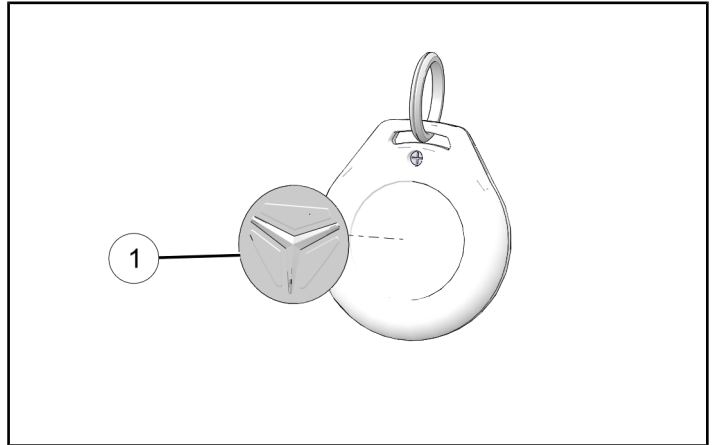
5. Apply the fin badge ③, pressing firmly into position.

### NOTE

Left side shown, right side similar.



6. Apply key fob badge ①, press firmly into position.



## INSTRUCTION FEEDBACK FORM

A feedback form has been created for the installer to provide any comments, questions or concerns about the installation instructions. The form is viewable on mobile devices by scanning the QR code or by clicking [HERE](#) if viewing on a PC.

