



P/N 2882250-XXX

APPLICATION

All 2017 and newer Slingshot® models

BEFORE YOU BEGIN

Read these instructions and check to be sure all parts and tools are accounted for. Please retain these installation instructions for future reference and parts ordering information.

DISCLAIMER ACCESSORY WEIGHT

When adding accessories, equipment, passengers and luggage to your vehicle, do not exceed the total weight capacity of the vehicle or of the front or rear axle (GVWR or GAWR as indicated on the Safety Compliance Certification label). Ask an authorized dealer for specific weight information if you need assistance. It is the owner's responsibility to use the Polaris Slingshot Accessories website as a tool for limiting the amount of accessories, based on maximum allowable vehicle weight requirements. It may be a violation of the Clean Air Act or the NHTSA regulations to disregard these requirements. For a complete listing of the accessories that are available for your vehicle, please contact your authorized dealer or visit the online store web site:

Web Address (United States): <http://www.polaris.com/en-us/slingshot/shop/accessories>.

NOTE

Due to the technical nature of this kit, Polaris® insists that this installation be performed by a Certified Slingshot® Technician.

⚠ WARNING

Always secure latches during operation.

Failure to secure latches may result in unintended opening or release, causing injury to others or damage to Slingshade™.

⚠ WARNING

- This top is not a safety device or roll cage. It is not intended to protect the occupants in the event of a rollover or other unforeseeable events.
- This top is not a roof and is not intended to haul cargo. NEVER attach, strap, or haul objects of any type or weight on this top.
- This top is not intended to contain or restrain the occupant or provide additional safety protection. ALWAYS wear a full face helmet, seat belt, and other safety equipment as outlined in your vehicle owner's manual.

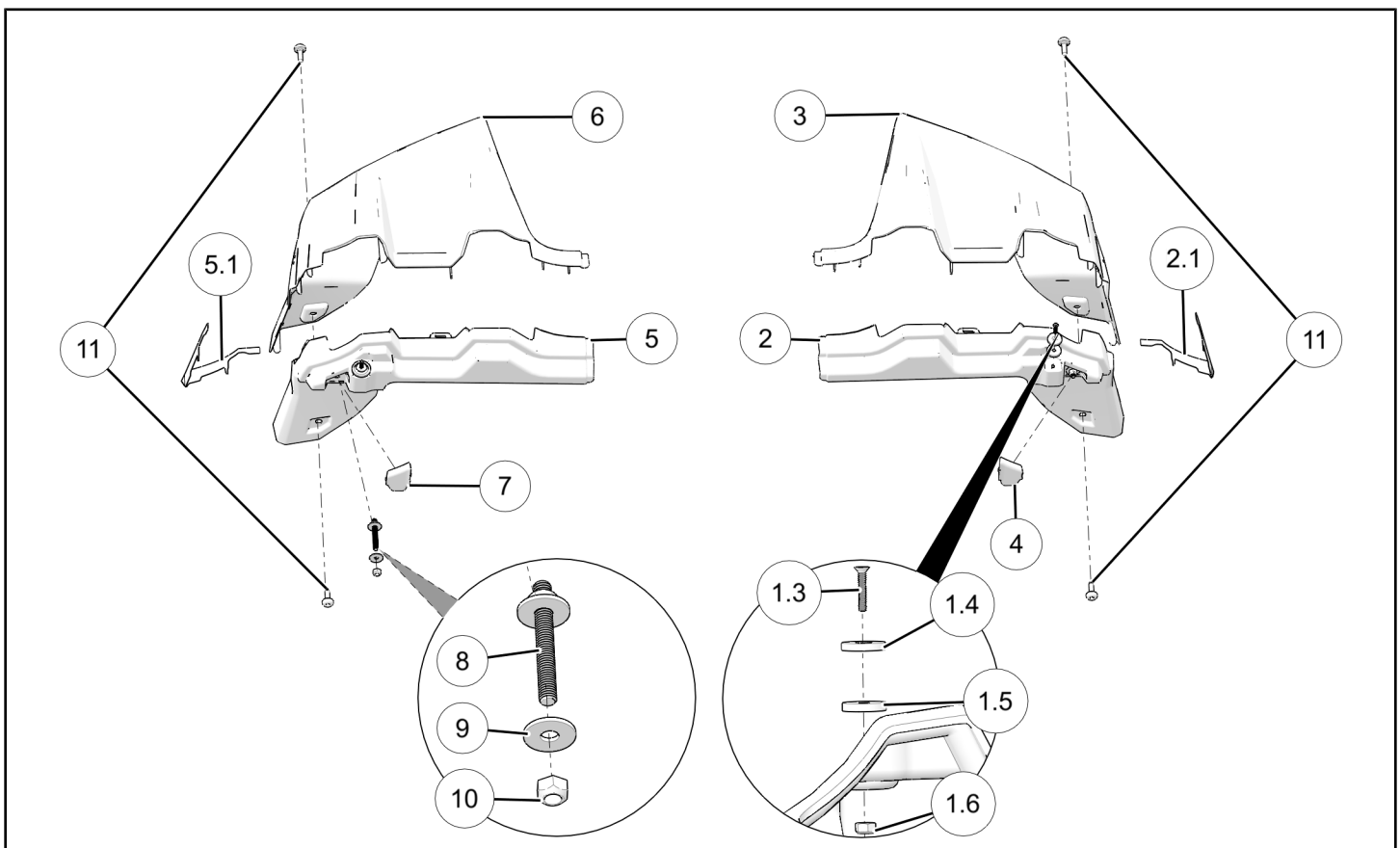
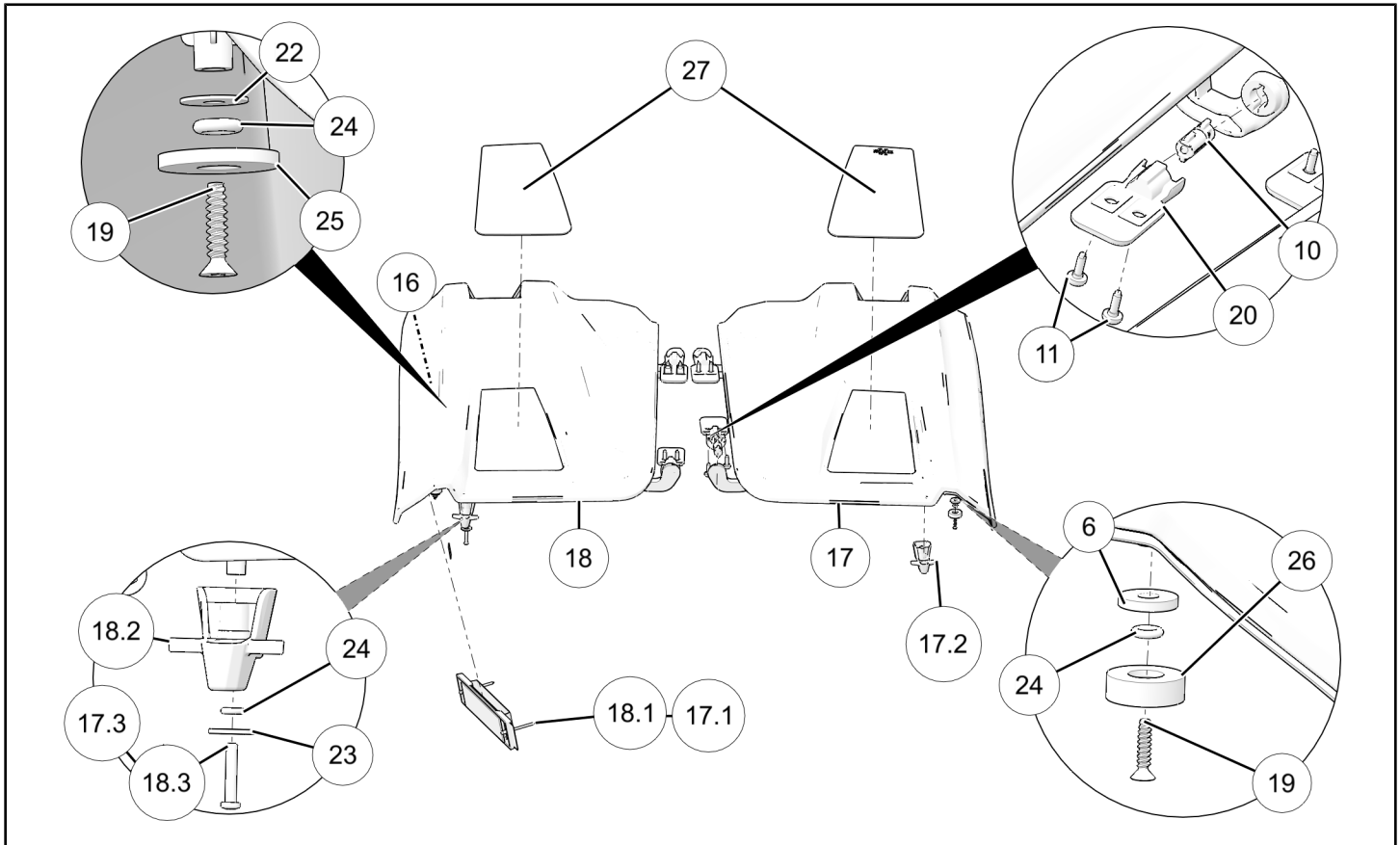
Failure to follow these warnings could lead to serious injury or death.

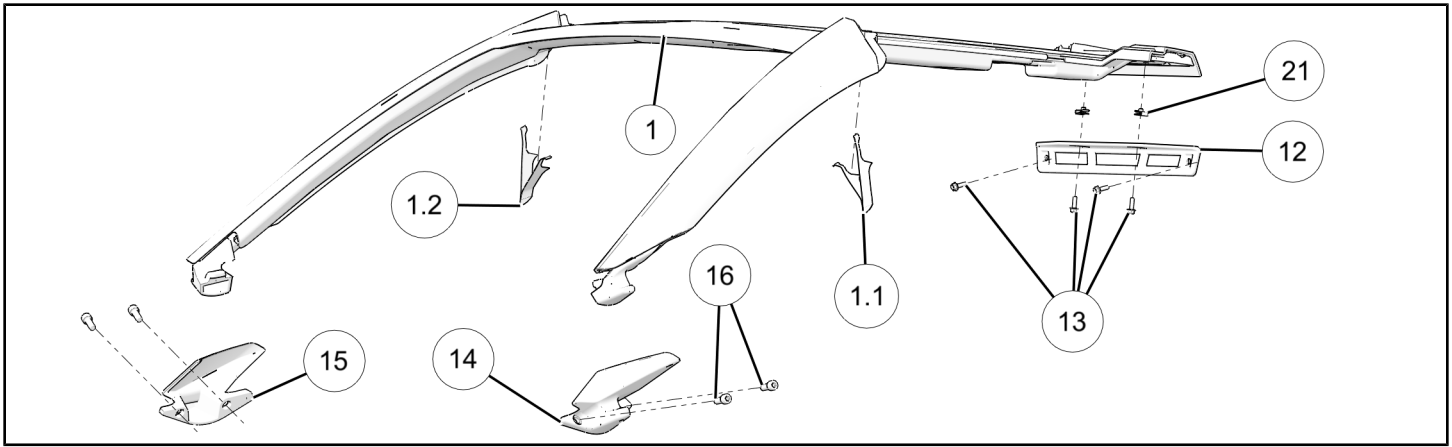
CAUTION

Watch your head during ingress and egress when Slingshade™ is installed.

KIT CONTENTS

This Kit includes:





NOTE

XXX = Slingshot® Color Code (For Example: 070 = Gloss Black)

REF	QTY	PART DESCRIPTION	PART NUMBER
1	1	Assembly, Sunshade, T-Top	2636619-XXX
1.1	1	.Sunshade, Frame Liner, Front, LH	8320230
1.2	1	.Sunshade, Frame Liner, Front, RH	8320231
1.3	4	.Screw, Machine, #6 X 32 X ¾ inch	7520582
1.4	4	.Magnet, Sunshade, Door	7052669
1.5	4	.Washer, ¾ Inch, Countersunk	7557015
1.6	4	.Nut, Hex, #6 X 32, Locking	7547853
2	1	Fin, Inner, Sunshade, LH	2636665-XXX
2.1	1	.Sunshade, Frame Liner, Rear, LH	8320232
3	1	Fin, Outer, Sunshade, LH	5453482-XXX
4	1	Fin, Inner Cover, Sunshade, LH	5454114-XXX
5	1	Fin, Inner, Sunshade, RH	2636666-XXX
5.1	1	.Sunshade, Frame Liner, Rear, RH	8320233
6	1	Fin, Outer, Sunshade, RH	5453483-XXX
7	1	Fin, Inner Cover, Sunshade, RH	5454115-XXX
8	2	Stud, M6 X 1 X 50 mm	7520707
9	4	Washer, 6.4 X 18.0 X 1.6	7556064
10	4	Nut, Hex Head, M6	7547120
11	12	Screw, Torx® Bit Head, M6 X 1.0 X 15 mm	7520011
12	1	Sunshade, Brace, Rear	5140804-XXX
13	4	Screw, Hex Flange, M6 X 1.0 X 20	7520122
14	1	Sunshade, Mirror, Mount, LH	5140802-XXX
15	1	Sunshade, Mirror, Mount, RH	5140803-XXX
16	4	Screw, Hex Bit Head, M10 X 1.5 X 25	7517358

REF	QTY	PART DESCRIPTION	PART NUMBER
17	1	Assembly, T-Top, Door, LH	2636952-XXX
17.1	1	.Assembly, Sunshade, Handle	2636620
17.2	1	.Latch, Knob, LH	2636829
17.3	1	.Screw, Torx® Bit Head, #10 X 1.0	7520164
18	1	Assembly, T-Top, Door, RH	2636953-XXX
18.1	1	.Assembly, Sunshade, Handle	2636620
18.2	1	.Latch, Knob, RH	2636830
18.3	1	.Screw, Torx® Bit Head, #10 X 1.0	7520164
19	4	Screw, Torx® Bit Head, #8 X 16 X ¾ inch	7520583
20	4	T-Top, Hinge	5454395
20.1	4	.T-Top, Friction Hinge	7082238
21	10	Nut, Clip	7081305
22	4	Washer, 4.3 X 14 X 0.8	7556477
23	2	Washer, 5.3 X 10 X 1	7556071
24	6	O-Ring	5414442
25	2	Rear Washer	5141818
26	2	Front Washer	5141817
27	2	T-Top, Window, Tinted	5453490
	1	Instructions	9927586

TOOLS REQUIRED

- Safety Glasses
- Hex Key Set, Metric
- Socket Set, Hex Bit, Metric
- Socket Set, Torx® Bit
- Torque Wrench
- Stud Installer Set

IMPORTANT

Your Slingshade™ is exclusively designed for your vehicle. Please read the installation instructions thoroughly before beginning. Installation is easier if the vehicle is clean and free of debris. For your safety, and to ensure a satisfactory installation, perform all installation steps correctly in the sequence shown.

ASSEMBLY TIME

Approximately 30 minutes

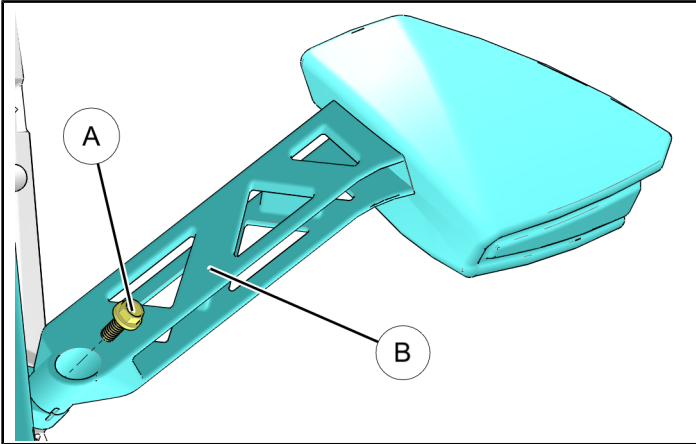
INSTALLATION INSTRUCTIONS

1. Shift vehicle transmission to NEUTRAL. Turn Key to OFF position and remove from vehicle.

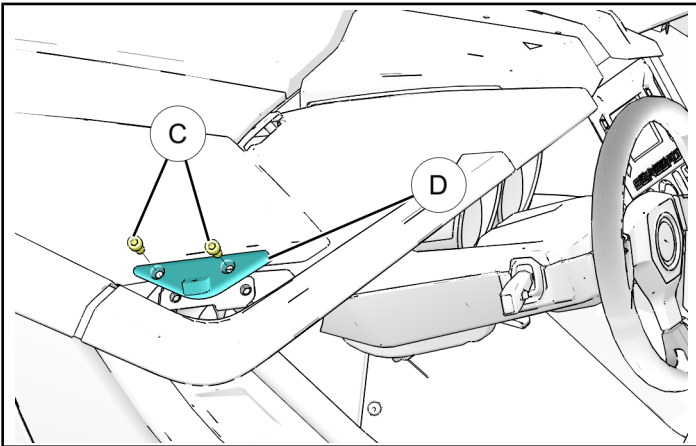
Apply parking brake.

REMOVING SIDE MIRRORS

1. Open vehicle hood to assist in side mirror removal.
2. Remove and retain bolt (A) and side mirror (B).



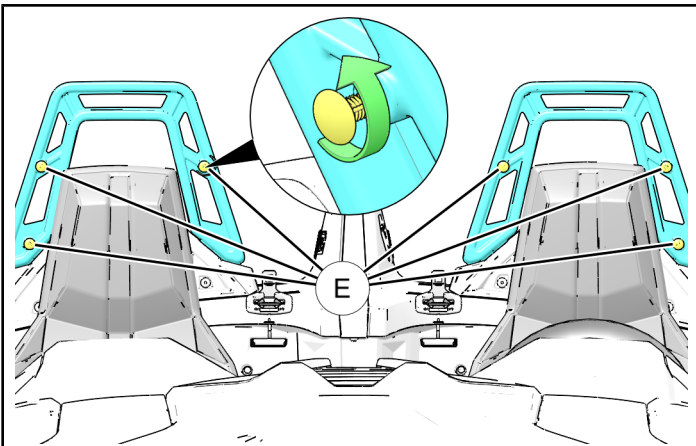
3. Remove and discard two bolts (C) and mounting plate (D).



4. Repeat Steps 2 and 3 for opposite side.

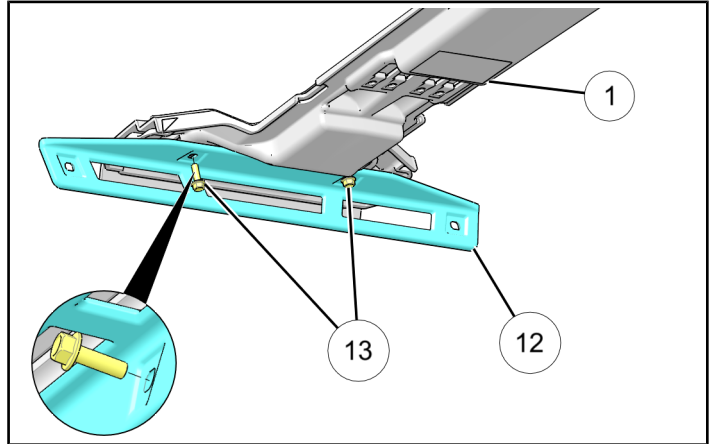
T-TOP INSTALLATION

1. Remove six fir tree clips (E) from rollover hoops by twisting them out.



2. Attach sunshade brace (12) to rear of sunshade T-top (1) using two bolts (13).

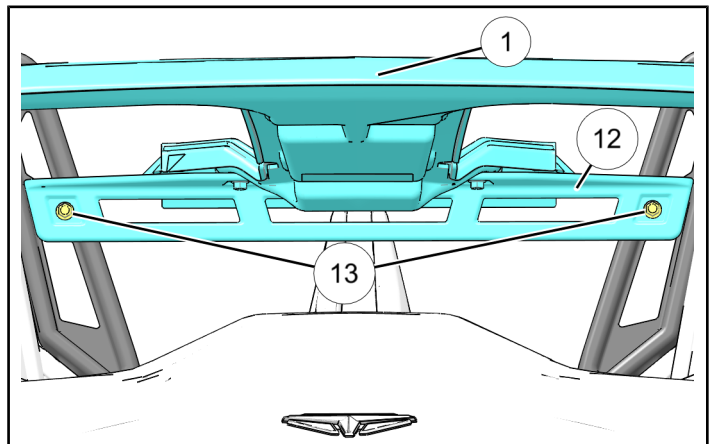
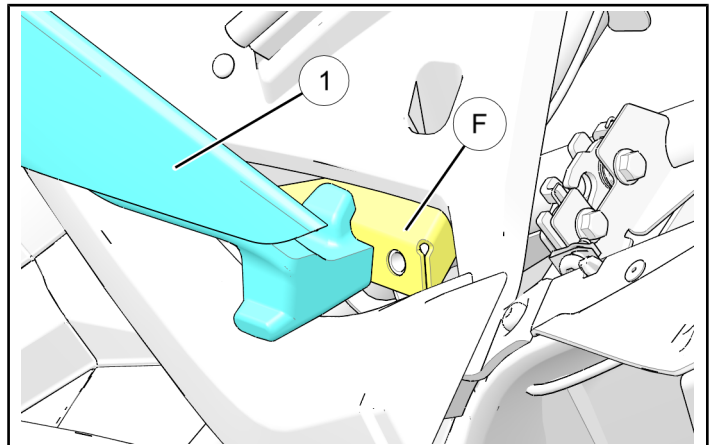
Hand tighten only.



3. Set front pillars of sunshade T-top assembly (1) on mirror mount bases (F). Loosely install screws (13) on rear sunshade brace (12) attaching it to rollover hoops.

CAUTION

Use two people when placing Slingshade™ t-top to avoid roof and/or vehicle paint damage.

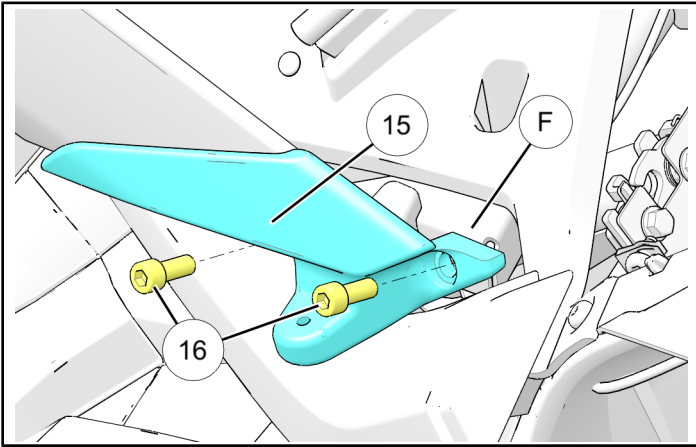


4. Install passenger sunshade mirror mount (15) to mirror mount base (F) with two bolts (16).

Torque two bolts (16) to specification.

TORQUE

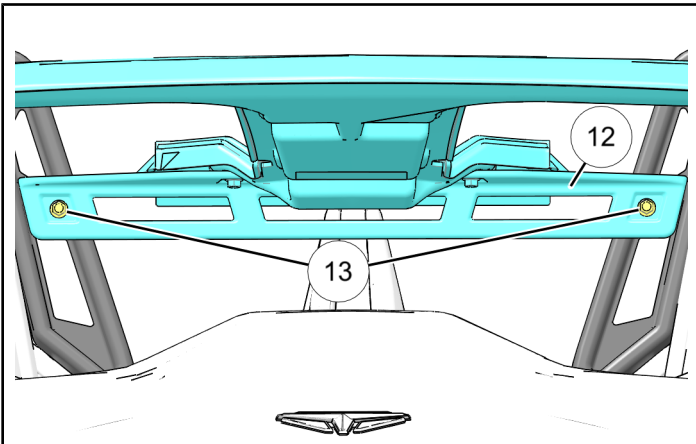
35 ft. lbs. (48 Nm)



5. Repeat **Previous Step** for driver side sunshade mirror mount (14).
6. Torque two bolts (13), centered in slot, to specification.

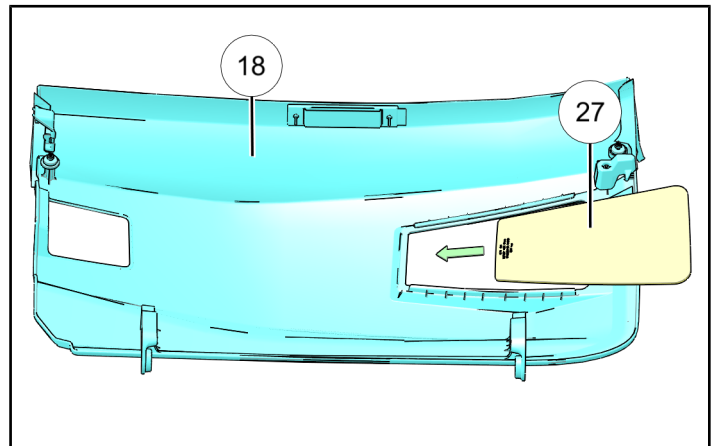
TORQUE

65 in. lbs. (7 Nm)

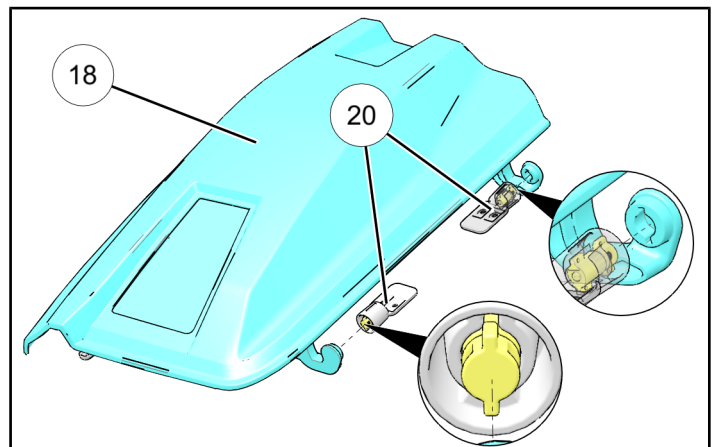


DOOR INSTALLATION

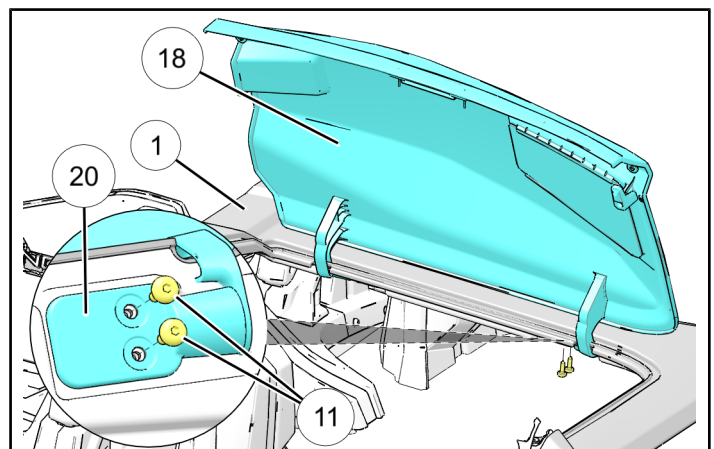
1. Slide door window (27) into grooves around window frame (18) and press back end into place.



2. Align tabs of hinges (20) with arms of door (shown with inset) and insert into passenger door (18) arms with smooth side facing down.



3. Hold passenger door (18) vertical, and align hinges (20) to T-top (1) with smooth side facing down. Hand tighten two screws (11) per hinge. Rotate door (18) down in a closing manner to seat hinges.



4. Repeat **Steps 1 – 3** for driver side door (17) and door window (27).

DOOR ALIGNMENT

1. Hand install one stud ⑧ into each roll hoop ⑥.
Torque stud to specification with a stud installer
OR tighten two nuts ⑩ to each other as shown
and torque to specification.

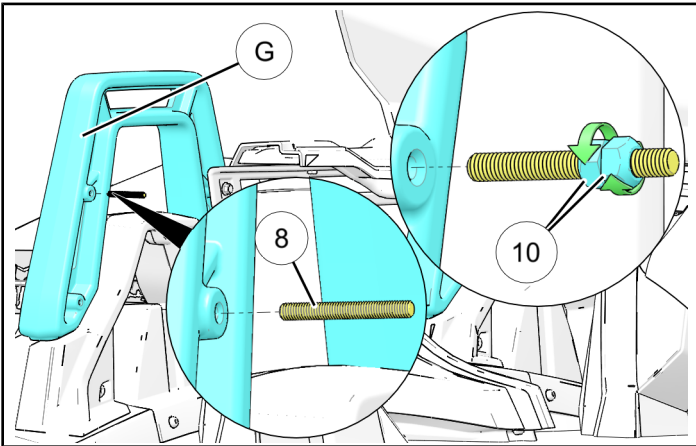
Remove outer nut after torqued.

CAUTION

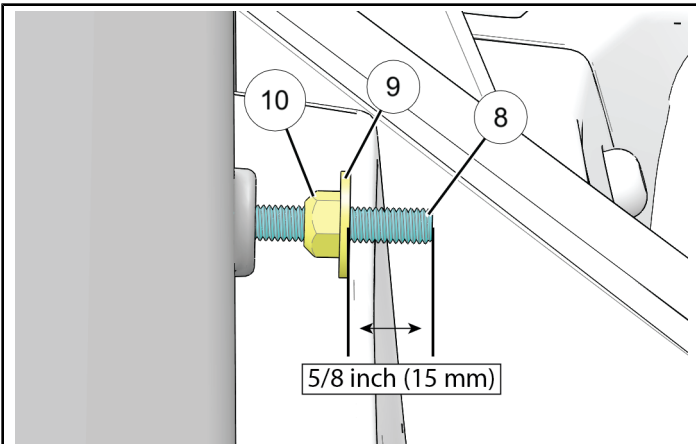
Ensure to not damage threads while torquing studs.

TORQUE

72 in. lbs. (8 Nm)



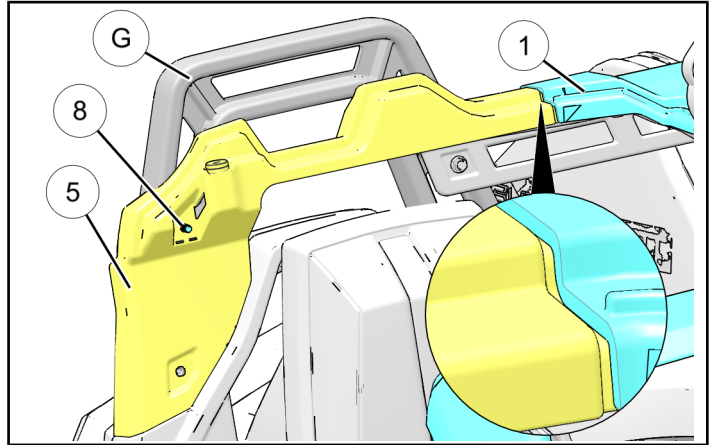
2. Install nut ⑩ and washer ⑨ to each stud ⑧,
thread on approximately 5/8 in. (15 mm).



3. Insert passenger side inner fin ⑤ into sunshade t-top assembly ① and align fin over stud ⑧.

TIP

Loosely install screw ⑪ to bottom hole of passenger side inner fin ⑤ to help with alignment.

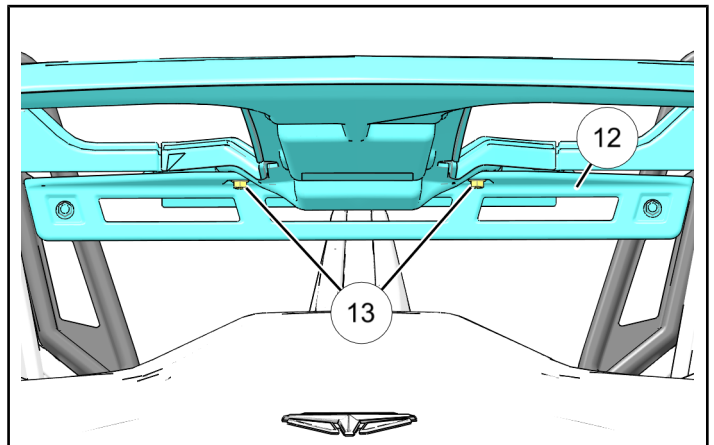


4. Repeat **Step 3** for driver side inner fin ②.
5. After driver and passenger inner fins are loosely installed, check alignment of t-top brace ⑫, right to left of vehicle.

Once gaps are even on both sides of t-top in relation to inner fins, torque two bolts ⑬, attaching sunshade brace to t-top, to specification..

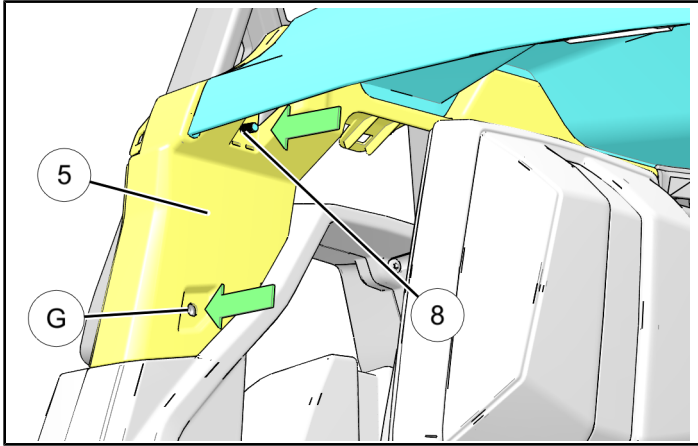
TORQUE

65 in. lbs. (7 Nm)



6. Align door, front to rear.

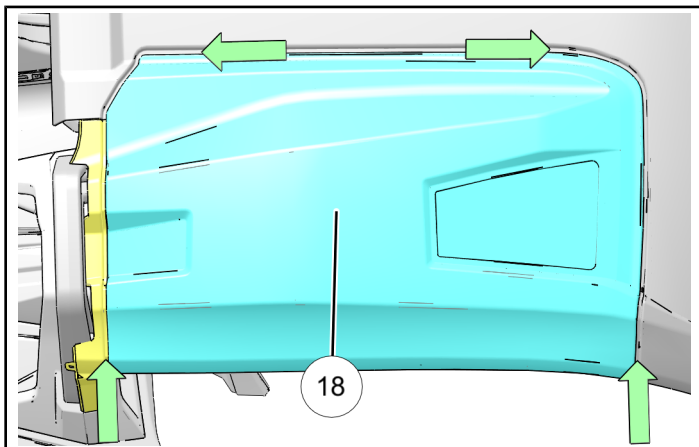
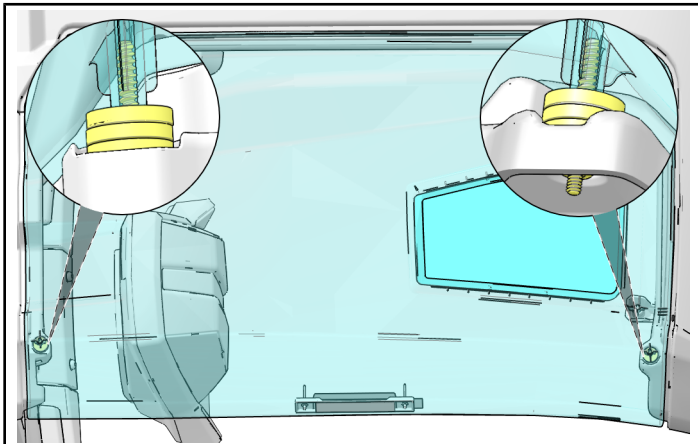
- a. Firmly press and hold inner fin ⑤ against roll hoop ⑥.



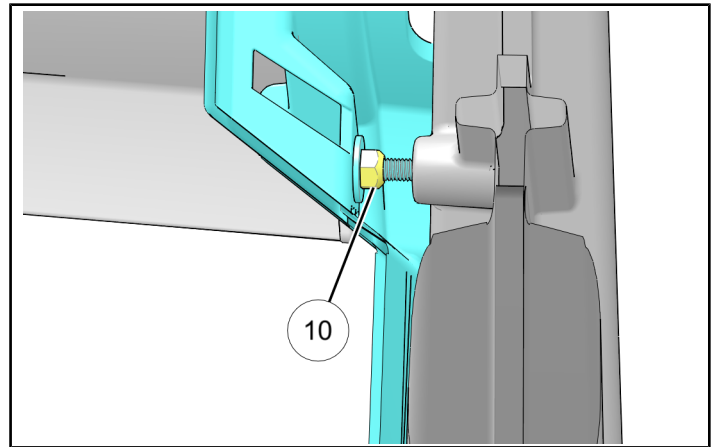
- b. Close passenger door ⑱ and ensure top and bottom magnets align. Front and rear gaps should be even.

IMPORTANT

Ensure magnets are well aligned. Properly aligned magnets are important to Slingshade™ functionality.



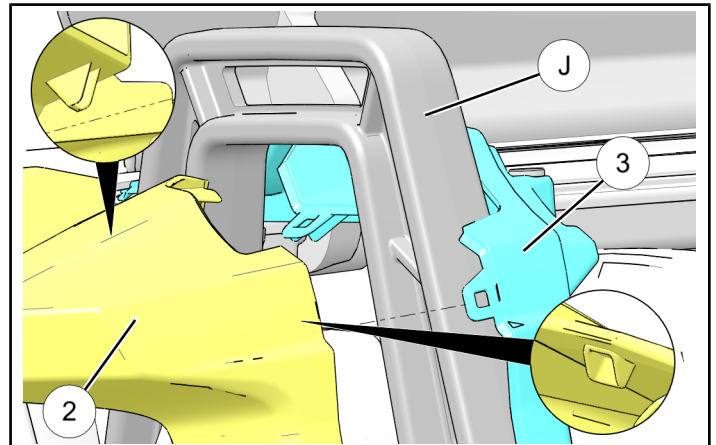
c. Thread nut ⑩ to adjust gap spacing.



7. Once gap is acceptable on passenger side, repeat **Step 6** for driver side door ⑰.

8. Install inner and outer fins around rollover hoops.

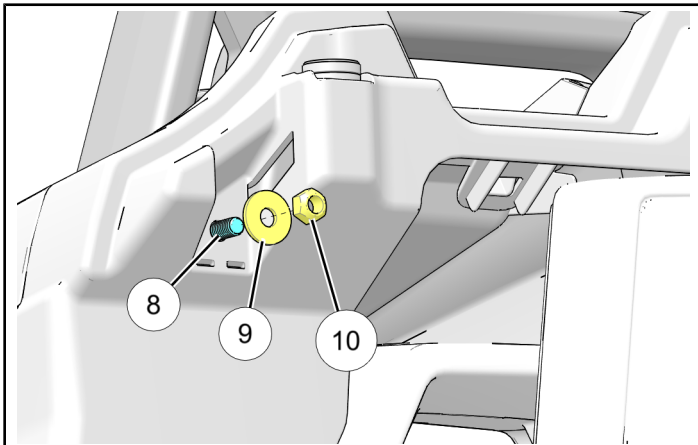
- a. Install passenger outer fin ⑥ to passenger inner fin ⑤ by aligning tabs and pressing together until tabs are seated.



- b. Install washer ⑨ and nut ⑩ onto stud ⑧.
Torque nut ⑩ to specification.

TORQUE

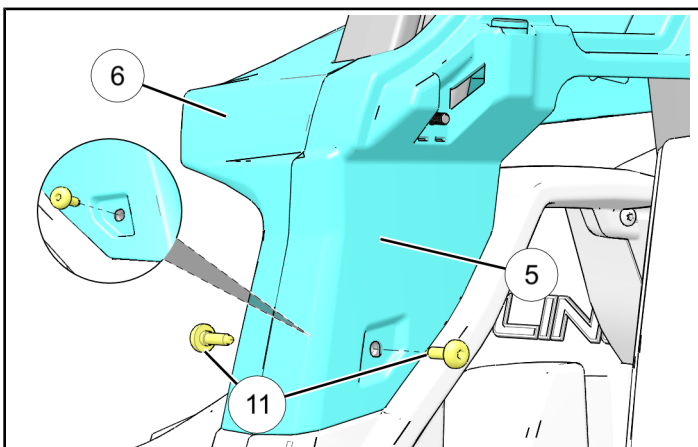
65 in. lbs. (7 Nm)



- c. Secure passenger outer fin ⑥ and passenger inner fin ⑤ to roll hoop with two screws ⑪.
Torque two screws ⑪ to specification.

TORQUE

65 in. lbs. (7 Nm)

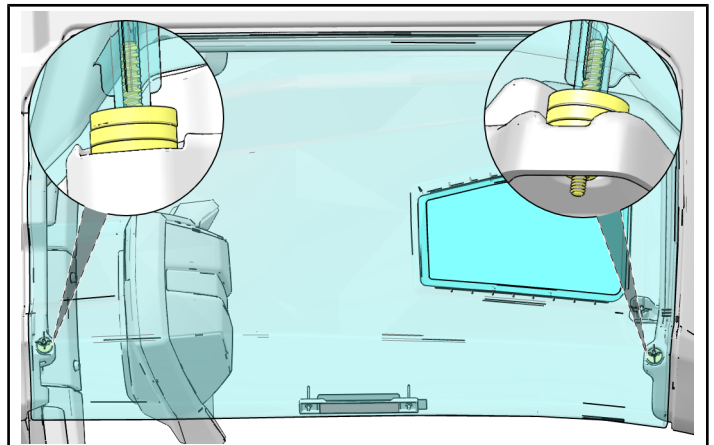
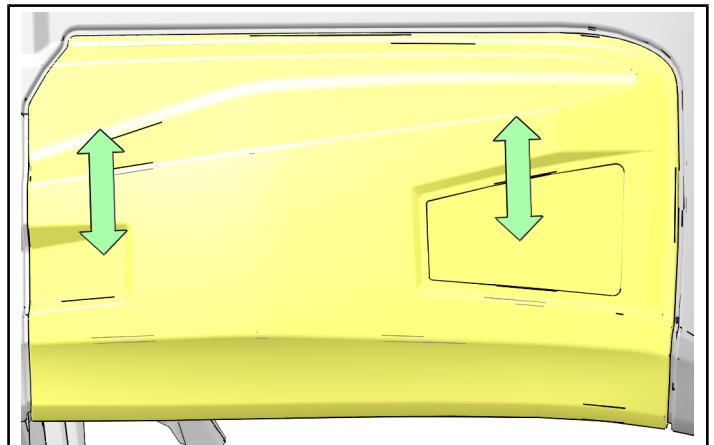


9. Repeat **Step 8** for driver side.

10. Align door side to side by hand until magnet and washer are aligned.

TIP

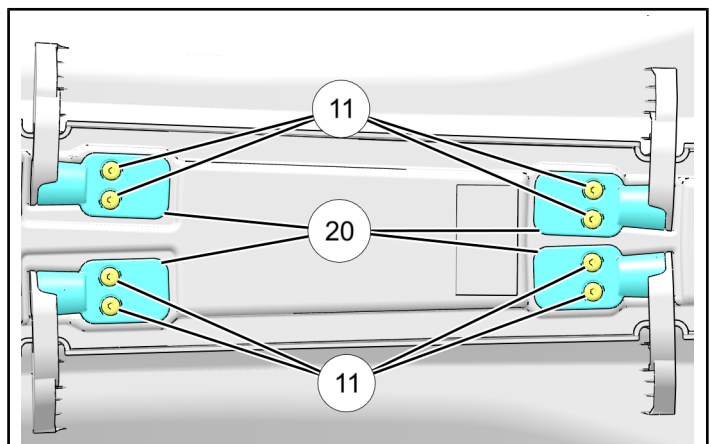
Run a narrow piece of paper between frame and door. Paper should not catch at any point.



11. Tighten door hinges ⑳ to t-top.
Torque eight bolts ⑪ to specification.

TORQUE

65 in. lbs. (7 Nm)

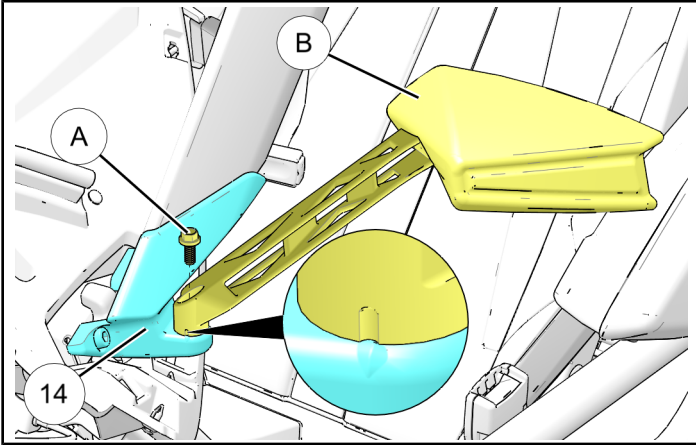


COMPLETING INSTALLATION

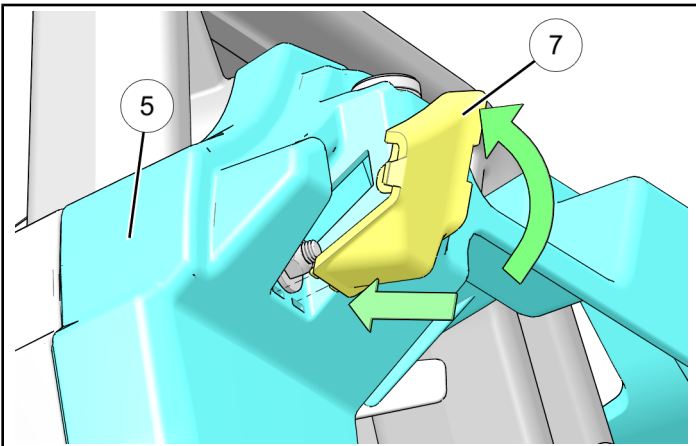
1. Reinstall driver side mirror (8) to new mirror mount (14) with screw (A) retained from **Step 2** of **Removing Side Mirrors** section.
Torque screw (A) to specification.

TORQUE

27 ft. lbs. (37 Nm)



2. Repeat **Step 1** to mount passenger side mirror to new passenger side mirror mount (15).
3. Install passenger inner fin stud cover (7) into passenger inner fin (5) by inserting bottom edge and rotating cover into place until it clicks.



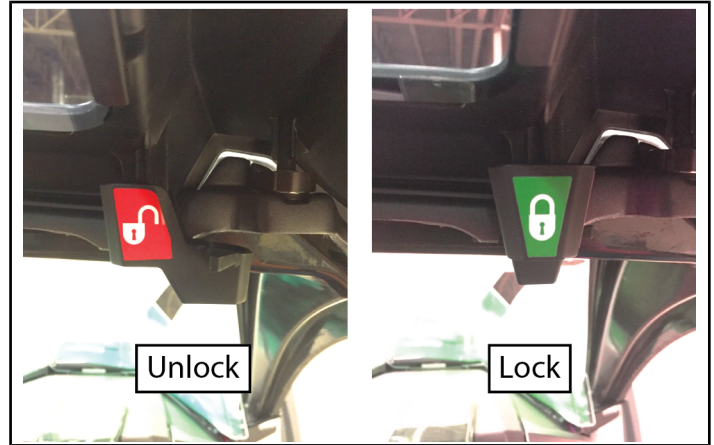
FEEDBACK FORM

A feedback form has been created for the installer to provide any comments, questions or concerns about the installation instructions. The form is viewable on mobile devices by scanning the QR code or by clicking [HERE](#) if viewing on a PC.

4. Repeat **Step 3** to install driver side inner fin stud cover (4) into driver inner fin (2).

IMPORTANT

Be sure to latch Slingshade™ doors to lock position before driving.



FEEDBACK FORM

